



US00D755023S

(12) **United States Design Patent**
Klingman

(10) **Patent No.:** **US D755,023 S**
(45) **Date of Patent:** **** May 3, 2016**

(54) **PULASKI EXCAVATING ATTACHMENT**

FOREIGN PATENT DOCUMENTS

(71) Applicant: **David Forrest Cabot Klingman,**
Boulder, CO (US)

FR 418267 A * 12/1910 A01B 1/22
FR 944531 A * 4/1949 A01B 1/22
FR 2330294 A1 * 6/1977 A01B 1/227

(72) Inventor: **David Forrest Cabot Klingman,**
Boulder, CO (US)

* cited by examiner

(**) Term: **14 Years**

Primary Examiner — Sheryl Lane

Assistant Examiner — Ieisha Price

(21) Appl. No.: **29/491,371**

(74) *Attorney, Agent, or Firm* — Simpson & Simpson, PLLC

(22) Filed: **May 20, 2014**

(57) **CLAIM**

The ornamental design for a Pulaski excavating attachment, as shown and described.

(51) **LOC (10) Cl.** **08-01**

DESCRIPTION

(52) **U.S. Cl.**

USPC **D8/10**

(58) **Field of Classification Search**

USPC D8/10, 11; D29/124; D21/532

CPC A01B 1/00; A01B 1/06; A01B 1/08;

A01B 1/16; A01B 1/22; A01B 1/227; B25D

7/00; B25D 2222/12; B26B 23/00

See application file for complete search history.

FIG. 1 is a front perspective view of a Pulaski excavating attachment of the present disclosure;

FIG. 2 is a rear perspective view of the Pulaski excavating attachment shown in FIG. 1;

FIG. 3 is a right side elevational view of the Pulaski excavating attachment shown in FIG. 1;

FIG. 4 is a left side elevational view of the Pulaski excavating attachment shown in FIG. 1;

FIG. 5 is a rear elevational view of the Pulaski excavating attachment shown in FIG. 1;

FIG. 6 is a front elevational view of the Pulaski excavating attachment shown in FIG. 1;

FIG. 7 is a top plan view of the Pulaski excavating attachment shown in FIG. 1;

FIG. 8 is a bottom plan view of the Pulaski excavating attachment shown in FIG. 1; and,

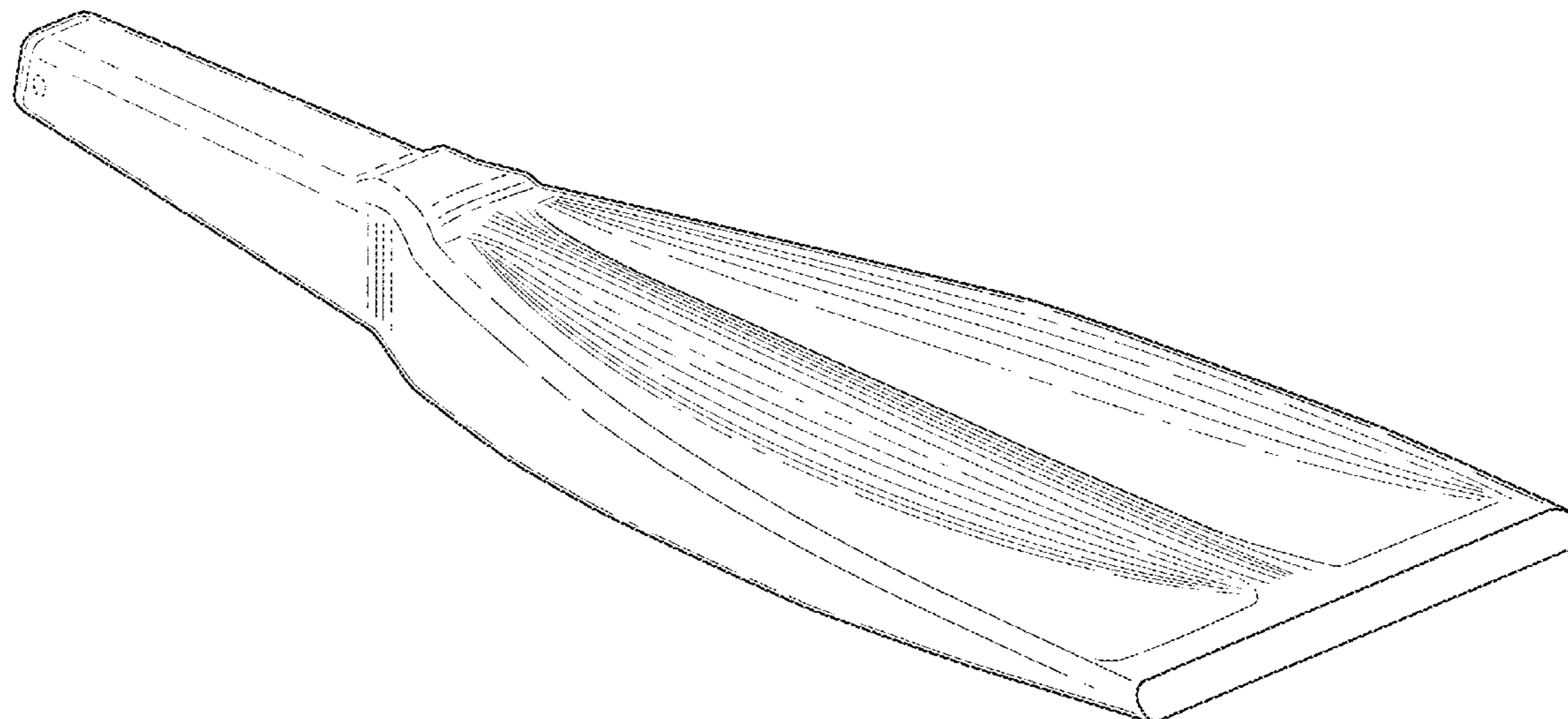
FIG. 9 is a cross-sectional view taken along line 9-9 in FIG. 7. The broken lines in the drawings illustrate portions of the Pulaski excavating attachment and form no part of the claimed design.

(56) **References Cited**

U.S. PATENT DOCUMENTS

D123,051 S *	10/1940	Farmer	D8/11
D301,679 S *	6/1989	Kokkinos	D8/75
D307,099 S *	4/1990	Zabarte	D8/11
D341,070 S *	11/1993	Warren	D8/89
D518,691 S *	4/2006	Benson et al.	D8/11
D646,535 S *	10/2011	Mertel et al.	D8/11
2014/0202008 A1 *	7/2014	Preston	30/299
2014/0261892 A1 *	9/2014	Clarke	144/366
2015/0113738 A1 *	4/2015	Wells	7/166
2015/0189823 A1 *	7/2015	Hauger	172/378

1 Claim, 8 Drawing Sheets



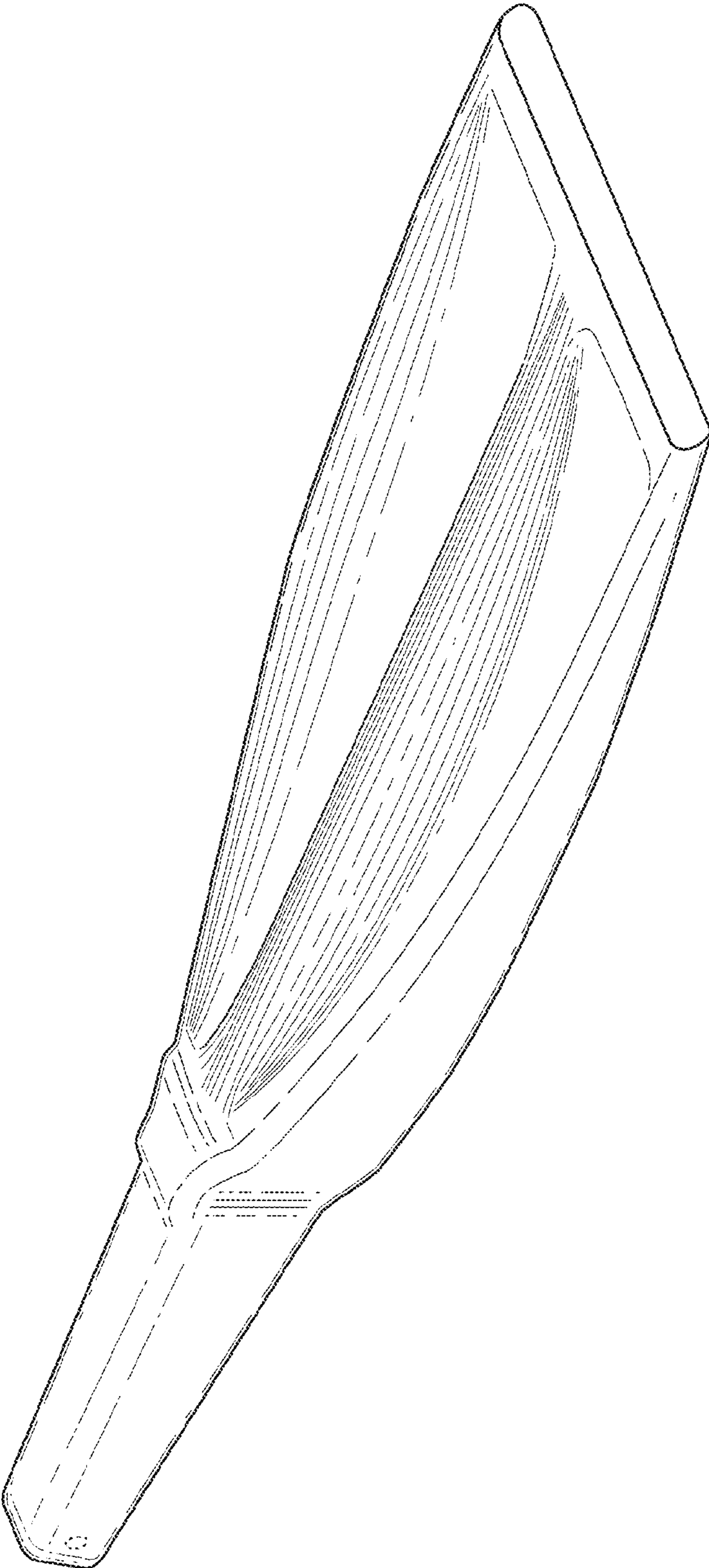


Fig. 1



Fig. 2

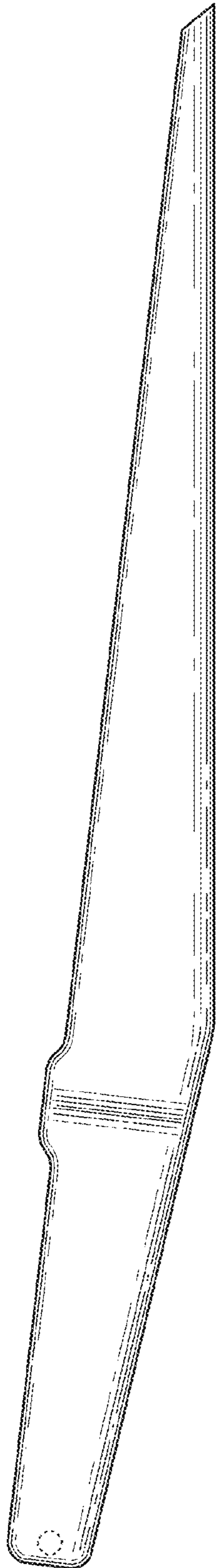


Fig. 3

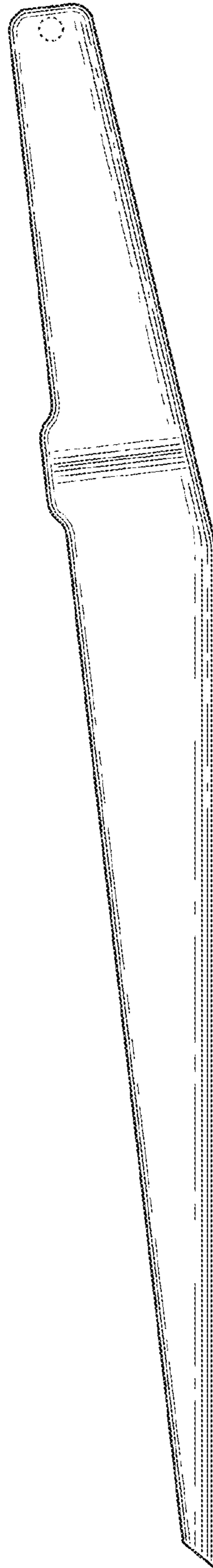


Fig. 4

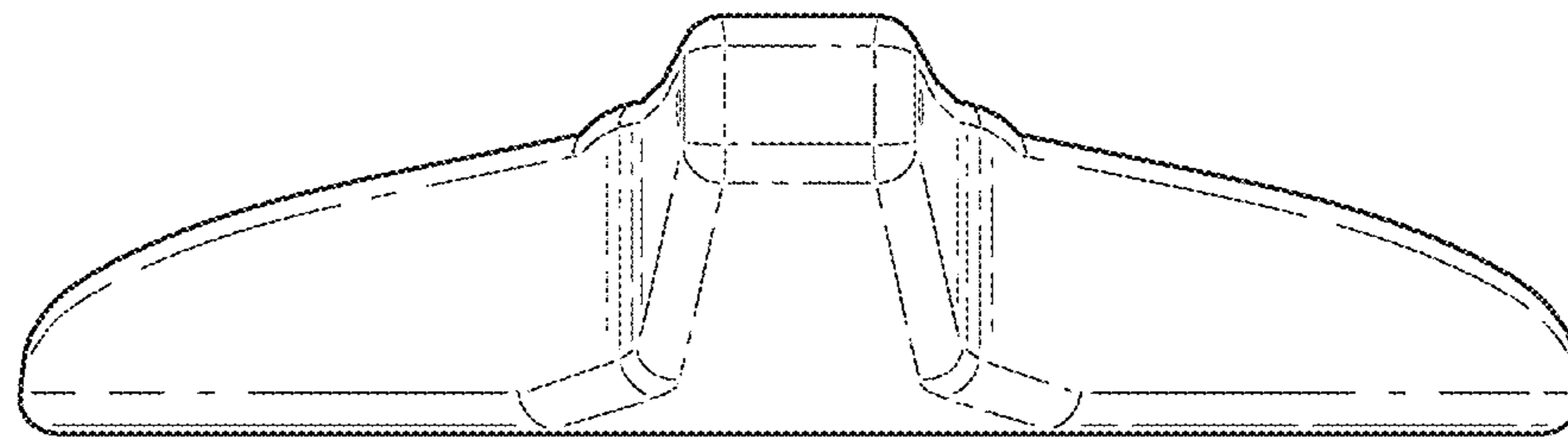


Fig. 5

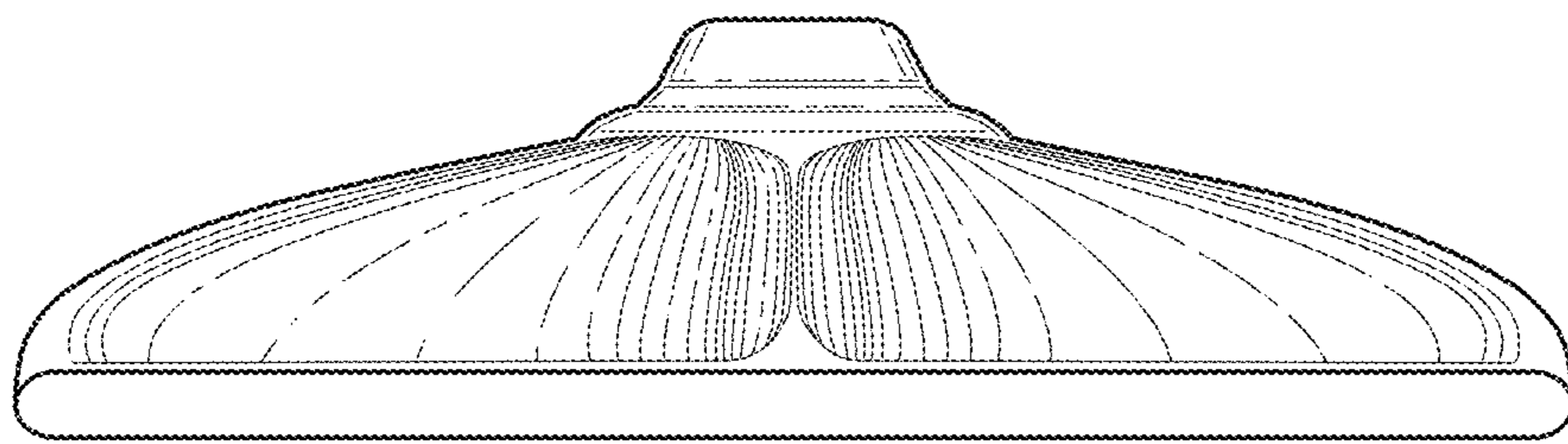
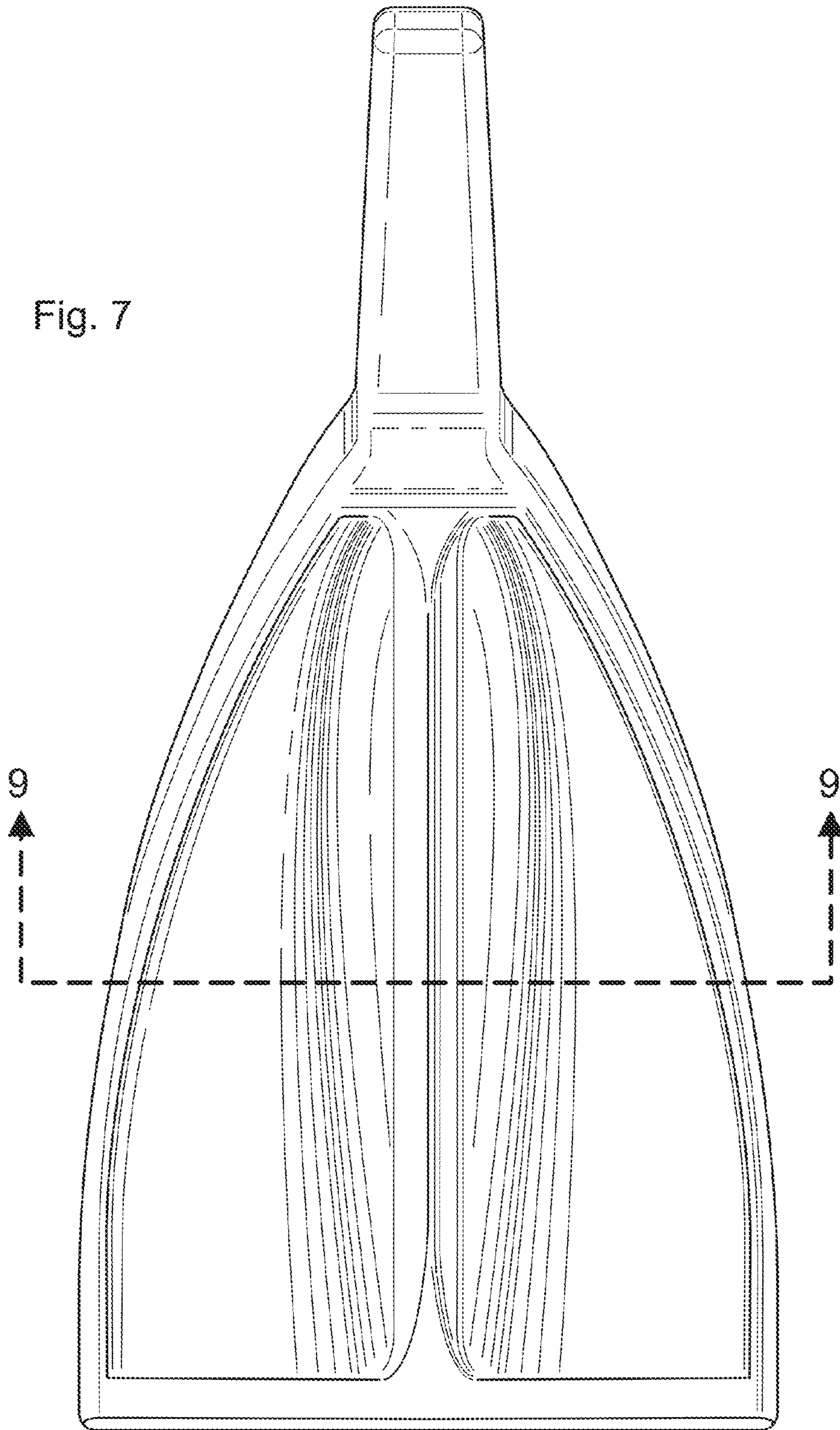


Fig. 6

Fig. 7



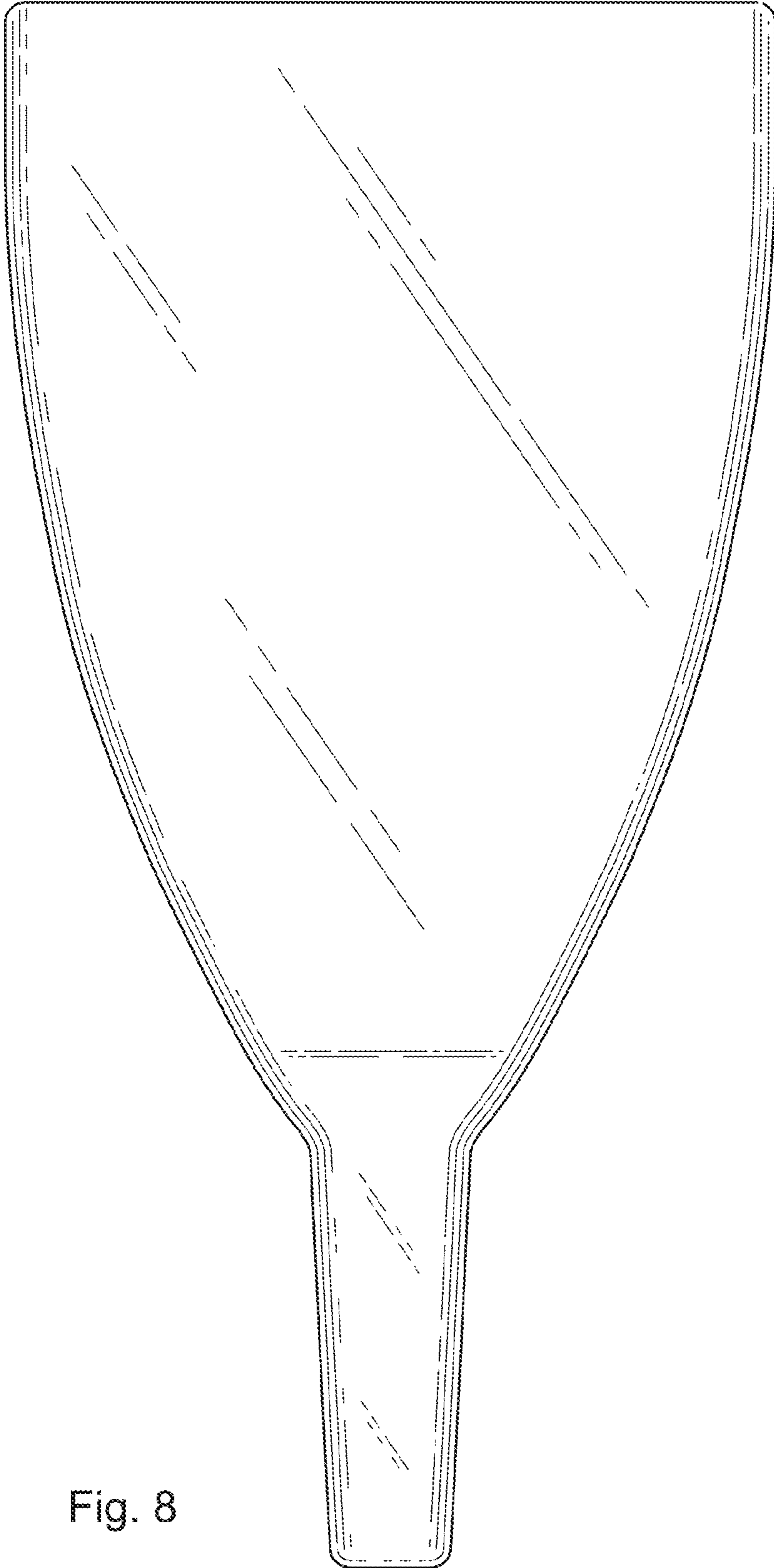


Fig. 8

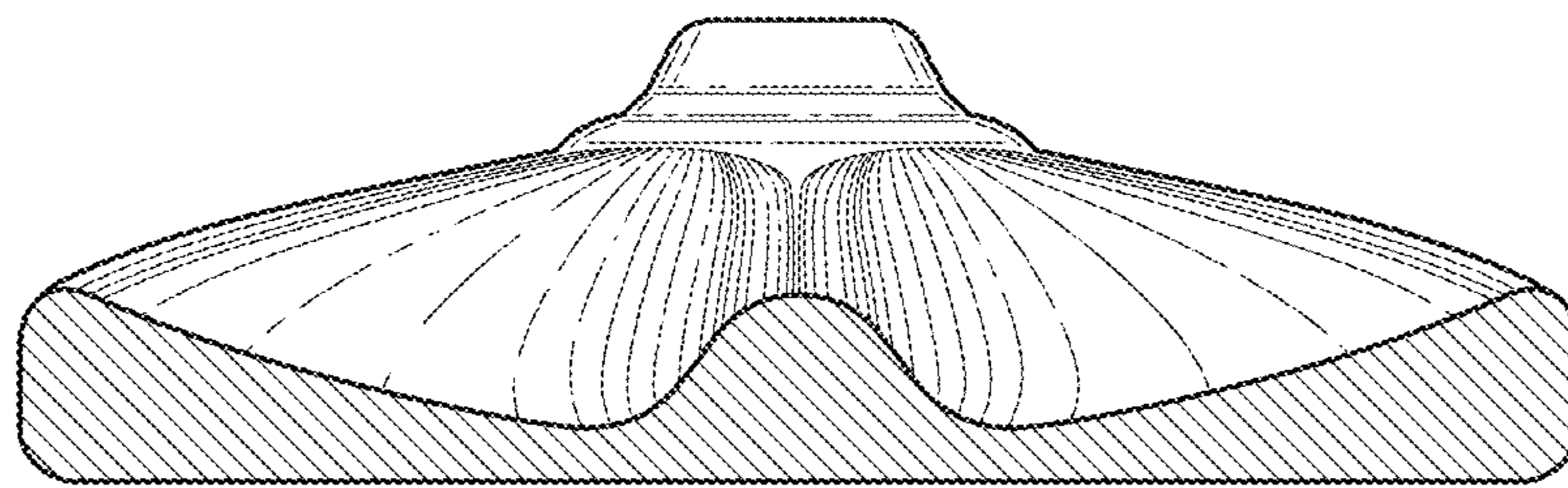


Fig. 9