



US00D755020S

(12) **United States Design Patent**  
**Adeloju**

(10) **Patent No.:** **US D755,020 S**  
(45) **Date of Patent:** **\*\* May 3, 2016**

(54) **CITRUS JUICER**  
(71) Applicant: **Breville Pty Limited**, Alexandria, NSW (AU)  
(72) Inventor: **Samuel Adeloju**, Randwick (AU)  
(73) Assignee: **Breville Pty Limited**, Alexandria NSW (AU)  
(\*\*) Term: **15 Years**  
(21) Appl. No.: **29/538,706**  
(22) Filed: **Sep. 7, 2015**

(30) **Foreign Application Priority Data**  
Mar. 12, 2015 (AU) ..... 201511365  
(51) **LOC (10) Cl.** ..... **07-04**  
(52) **U.S. Cl.**  
USPC ..... **D7/666**  
(58) **Field of Classification Search**  
USPC ..... D7/666, 665, 667, 668, 669, 674, 369,  
D7/415; 99/501-513, 495; 100/234, 213,  
100/281, 110, 125, 283, 131-135; 241/36,  
241/37.5, 92, 100, 282.1  
CPC ..... A47J 43/0761; A47J 43/046; A47J 19/02;  
A47J 19/022; A47J 19/06; A47J 19/027;  
A47J 19/025; A23N 1/00; A23N 1/02  
See application file for complete search history.

(56) **References Cited**  
U.S. PATENT DOCUMENTS  
D109,062 S \* 3/1938 Johnson ..... D7/666  
D121,876 S \* 8/1940 Koch ..... D7/666  
2,238,571 A \* 4/1941 Scott ..... A47J 19/022  
100/125  
D138,983 S \* 10/1944 Johnson ..... D7/666  
2,674,182 A \* 4/1954 Kirkpatrick ..... A47J 19/022  
100/238  
2,692,550 A \* 10/1954 Smith ..... A47J 19/022  
100/213  
D255,005 S \* 5/1980 Fuchs ..... D7/665

D276,876 S \* 12/1984 Van Asten ..... D7/665  
D304,140 S \* 10/1989 Li ..... D7/666  
D311,842 S \* 11/1990 Ogvist ..... D7/666  
D328,552 S \* 8/1992 Lee ..... D7/666  
D370,837 S \* 6/1996 Lee ..... D7/666  
D371,055 S \* 6/1996 Fouquet ..... D7/665  
D380,942 S \* 7/1997 Thackray ..... D7/374  
D382,447 S \* 8/1997 Chiu ..... D7/666  
D420,863 S \* 2/2000 Egana ..... D7/666  
D422,184 S \* 4/2000 Kao ..... D7/666  
D428,778 S \* 8/2000 Kao ..... D7/666  
D450,545 S \* 11/2001 Au ..... D7/665  
D450,546 S \* 11/2001 Pascotti ..... D7/665  
6,318,252 B1 \* 11/2001 Kao ..... A47J 19/022  
100/125  
6,321,644 B1 \* 11/2001 Kao ..... A47J 19/025  
100/125  
6,382,089 B1 \* 5/2002 Thiffault ..... A47J 19/022  
99/506  
D458,088 S \* 6/2002 O'Flynn ..... D7/666  
D459,159 S \* 6/2002 Kao ..... D7/666  
D464,236 S \* 10/2002 Li ..... D7/666  
D464,535 S \* 10/2002 O'Flynn ..... D7/666  
6,813,996 B1 \* 11/2004 Kao ..... A47J 19/022  
99/506

(Continued)

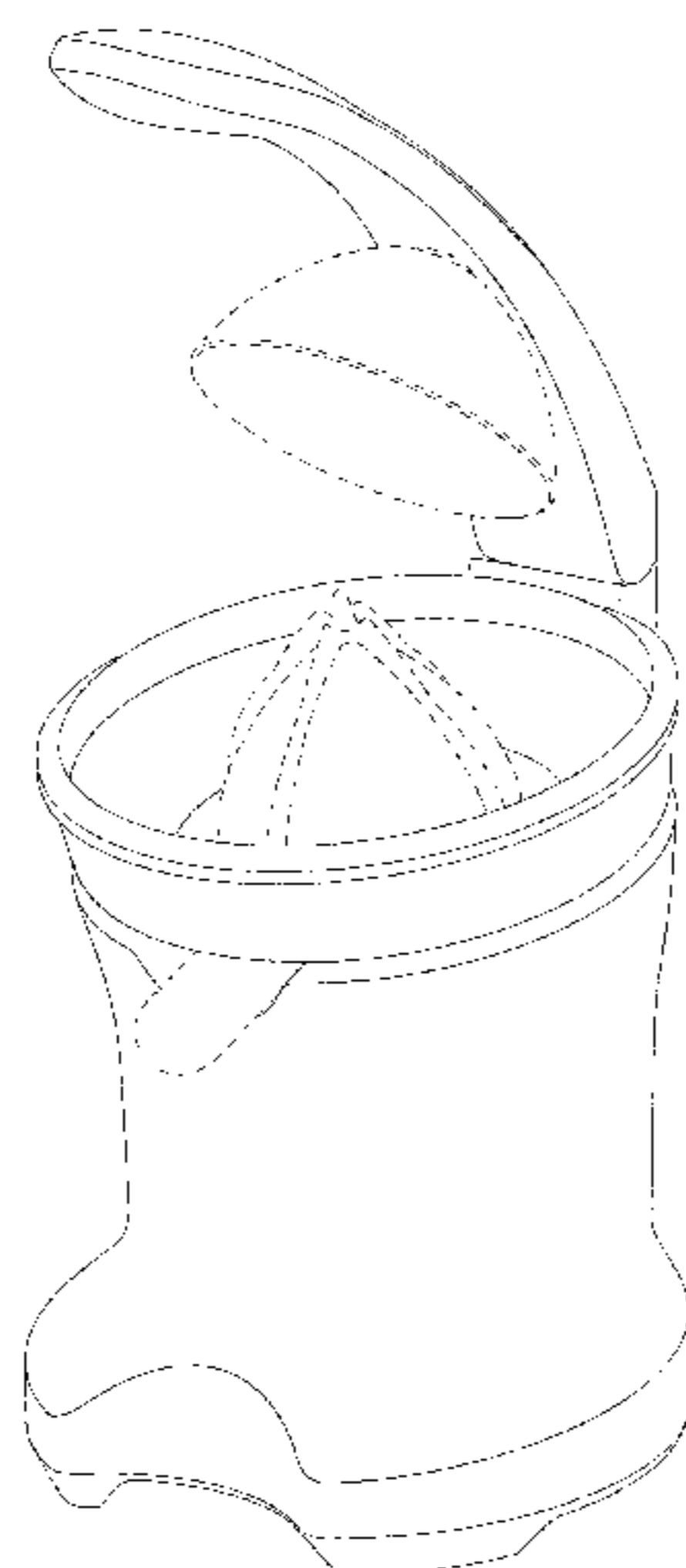
*Primary Examiner* — Mark Goodwin  
(74) *Attorney, Agent, or Firm* — Molins & Co. Pty Ltd

(57) **CLAIM**  
The ornamental design for a citrus juicer, as shown and described.

**DESCRIPTION**

FIG. 1 is a front perspective view of a citrus juicer showing my new design;  
FIG. 2 is a front elevation thereof;  
FIG. 3 is a rear perspective view thereof;  
FIG. 4 is a rear elevation view thereof;  
FIG. 5 is a left side view thereof;  
FIG. 6 is a bottom plan view thereof; and,  
FIG. 7 is a top plan view thereof.  
The broken lines shown in the drawings are for illustrative purposes only and form no part of the claimed design.

**1 Claim, 7 Drawing Sheets**



(56)

**References Cited**

U.S. PATENT DOCUMENTS

D511,945 S *	11/2005	Hensel .....	D7/666	D620,323 S *	7/2010	Griffith .....	D7/666
D521,813 S *	5/2006	Piret .....	D7/665	D735,537 S *	8/2015	Cohen .....	D7/666
D544,318 S *	6/2007	Bodum .....	D7/665	2006/0086265 A1 *	4/2006	Gonzalez .....	A47J 19/022 100/234
D546,637 S *	7/2007	Gonzalez .....	D7/666	2007/0125244 A1 *	6/2007	Hensel .....	A47J 19/02 99/501
D547,136 S *	7/2007	Spagnolo .....	D7/665	2012/0103202 A1 *	5/2012	Hensel .....	A47J 43/0761 99/504
D595,545 S *	7/2009	Gaunard .....	D7/666	2012/0103203 A1 *	5/2012	Hensel .....	A47J 43/0761 99/504
D608,605 S *	1/2010	Griffith .....	D7/666				
D610,880 S *	3/2010	Pallotto .....	D7/665				

\* cited by examiner

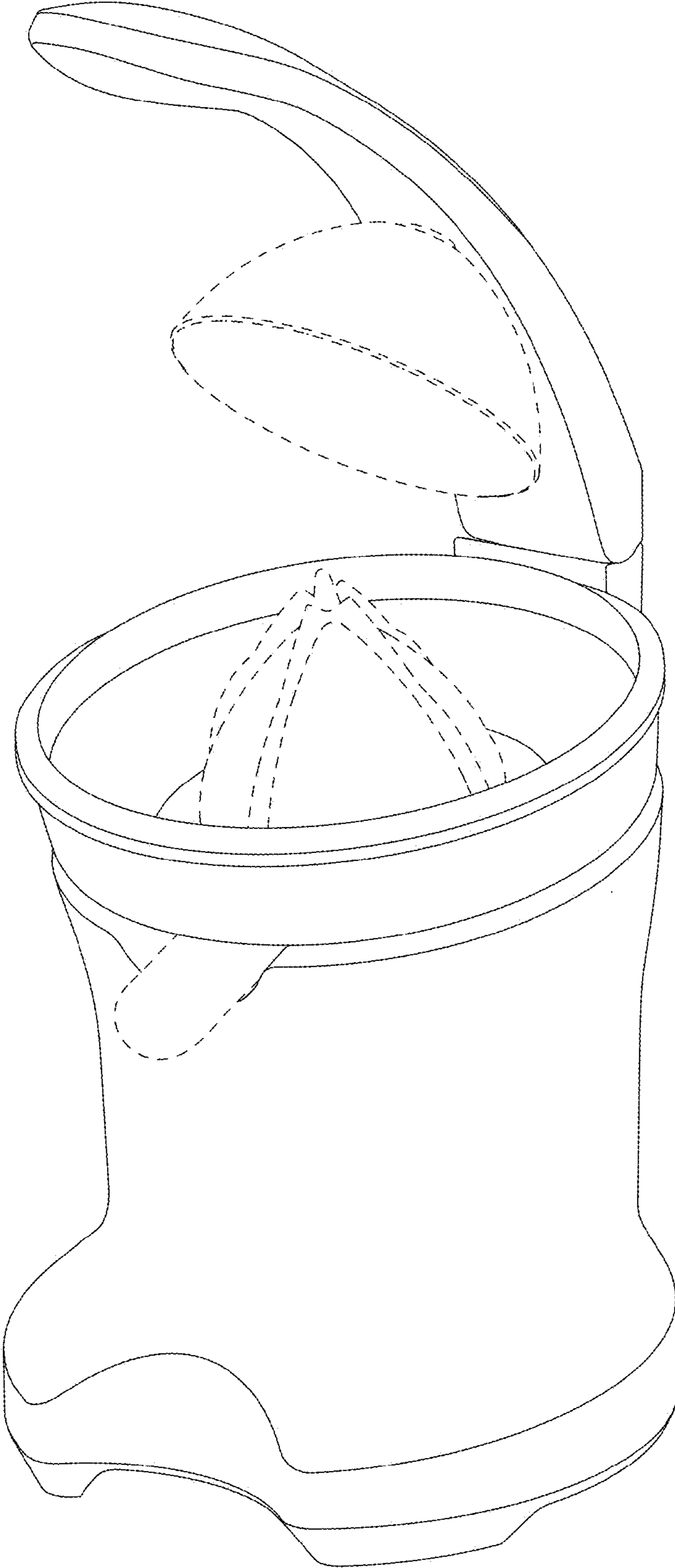


FIG. 1

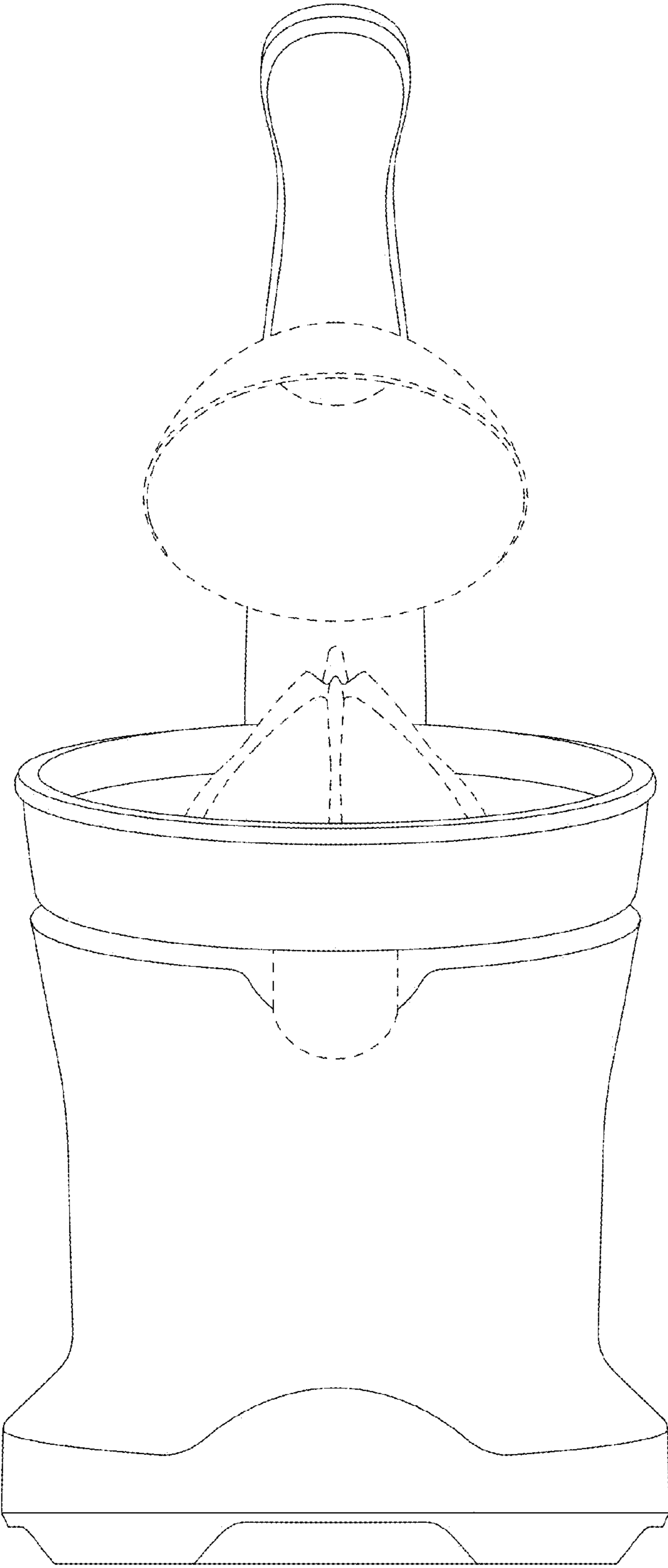


FIG. 2

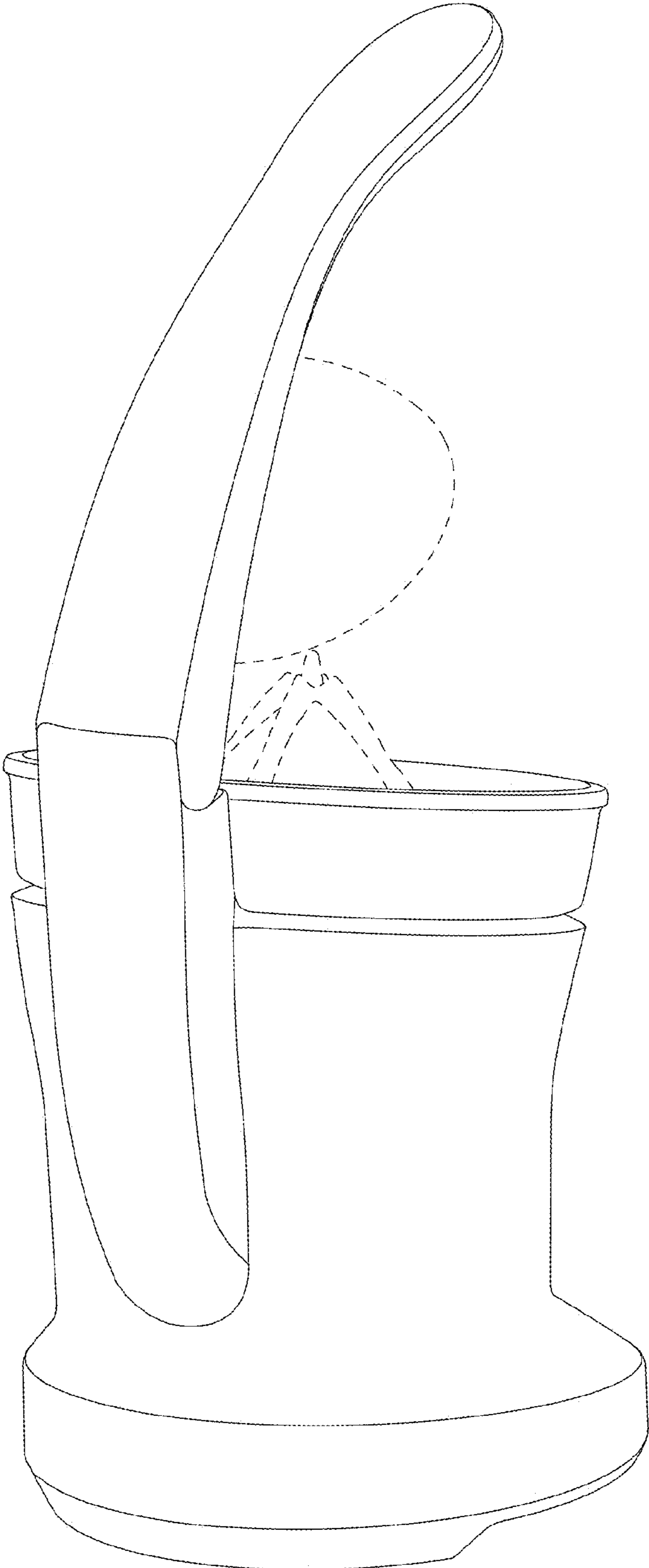


FIG. 3

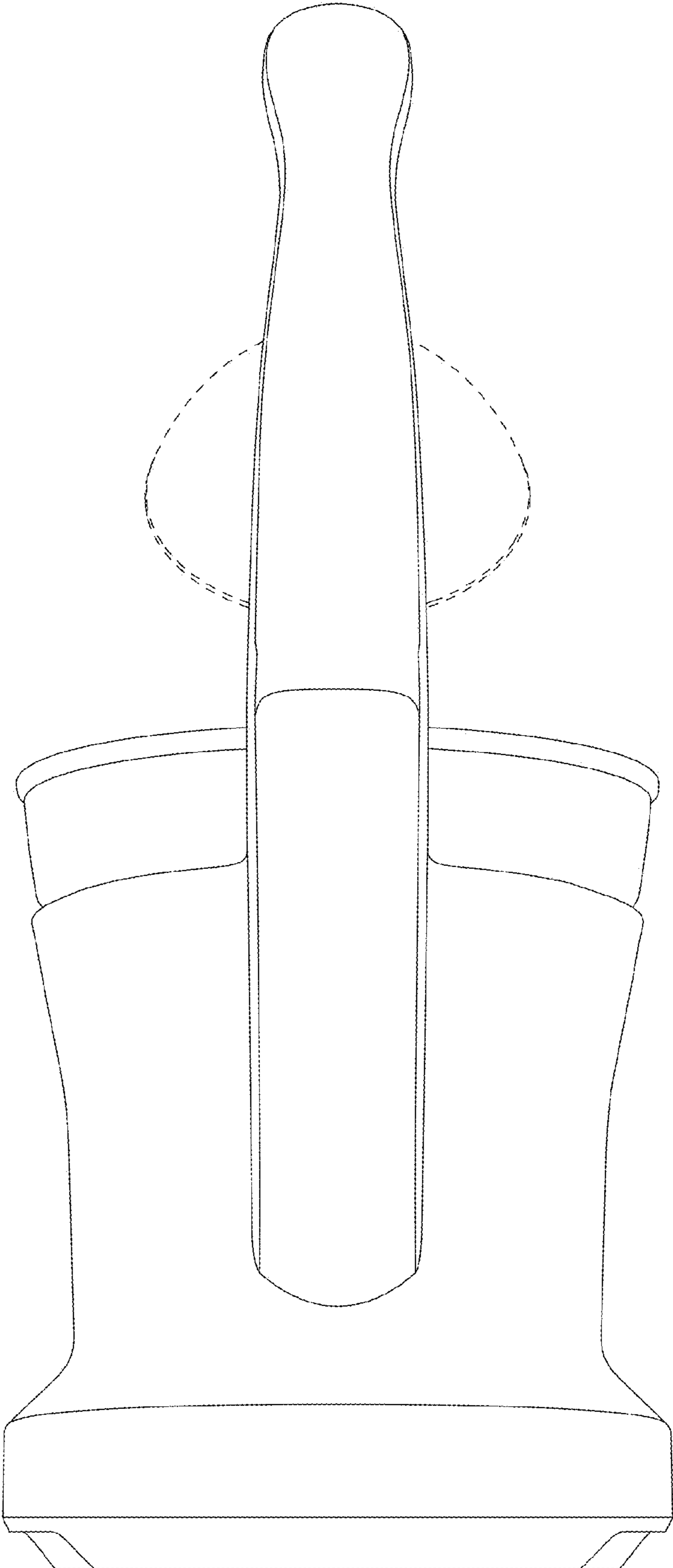


FIG. 4

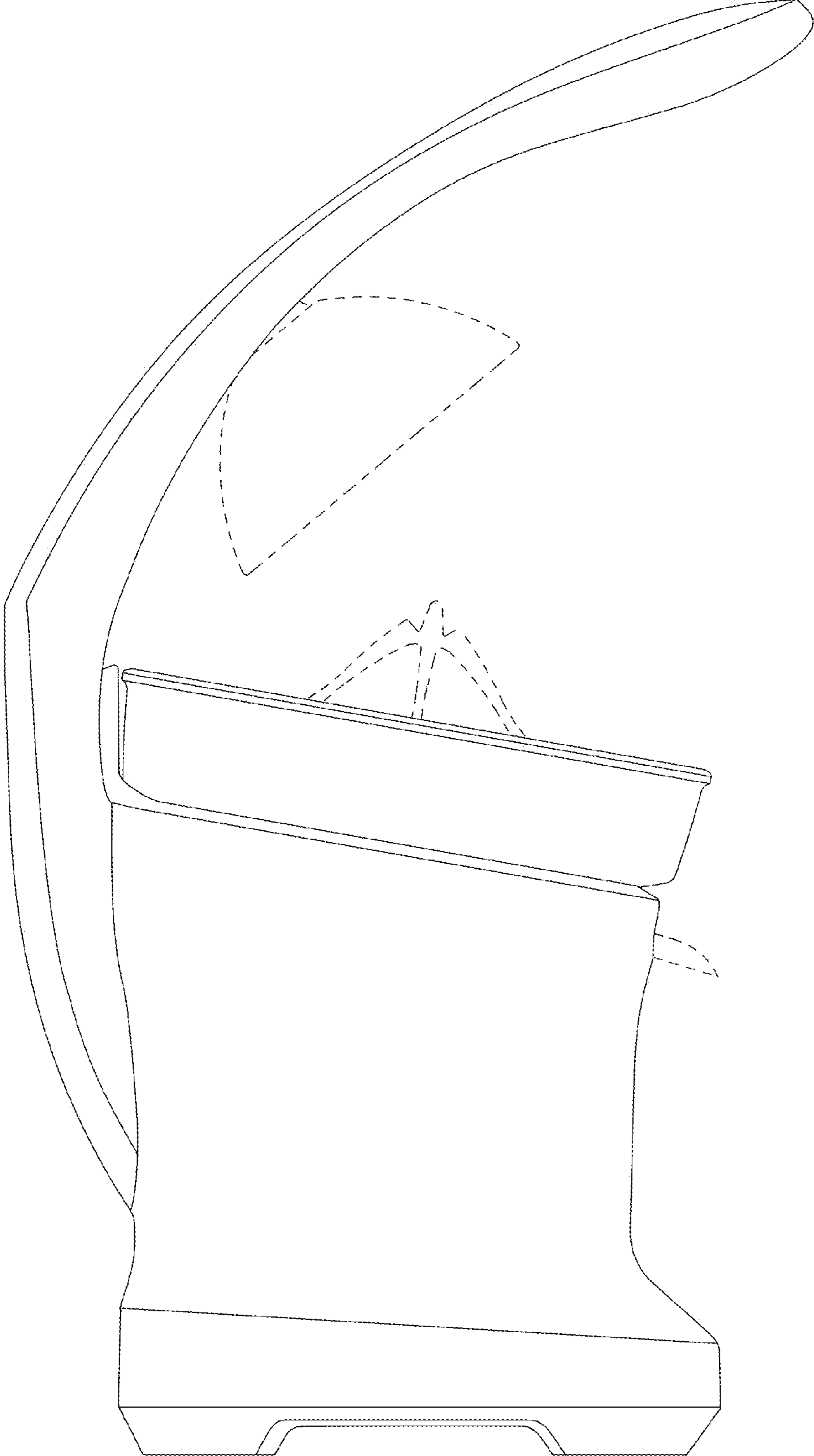


FIG. 5

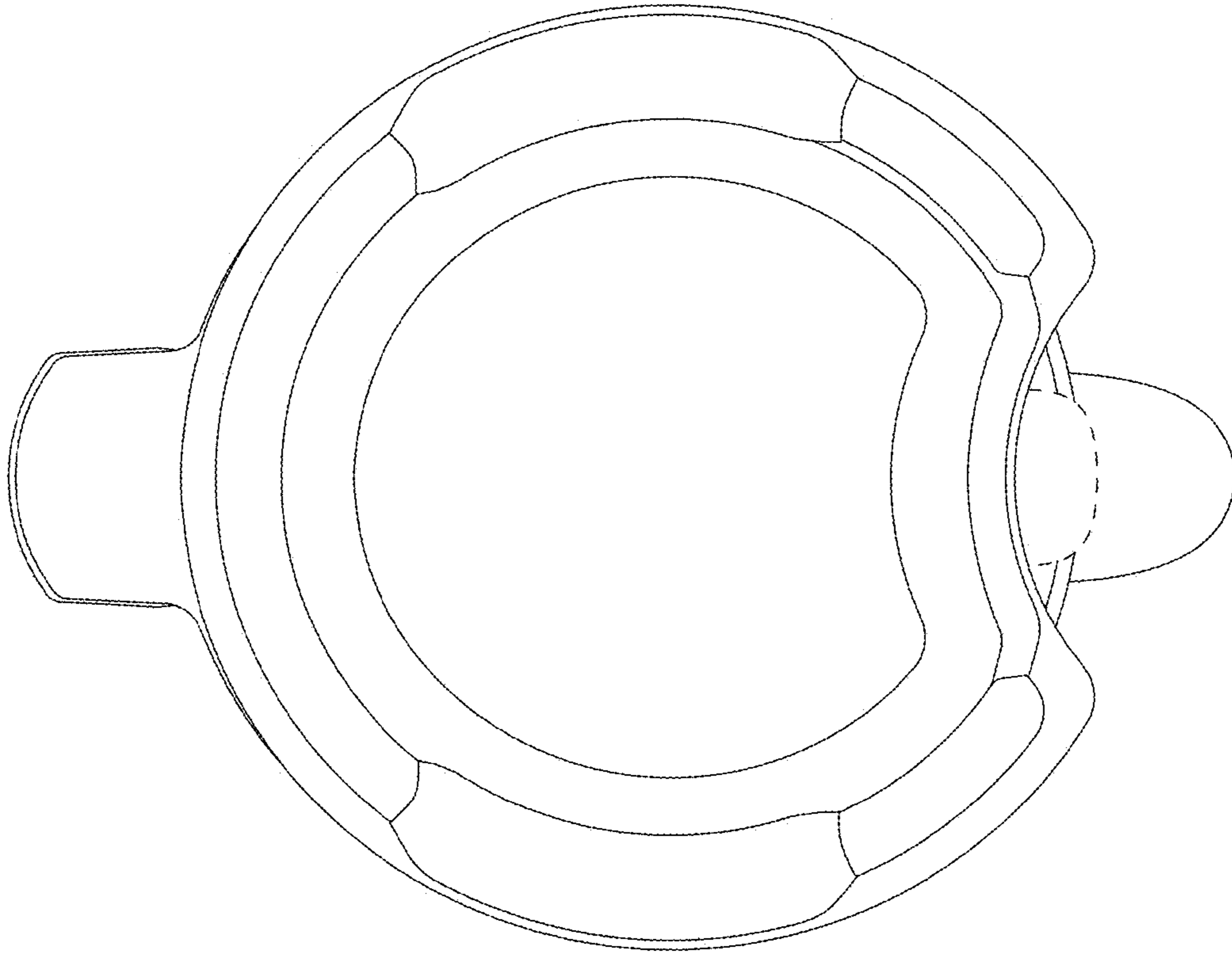


FIG. 6



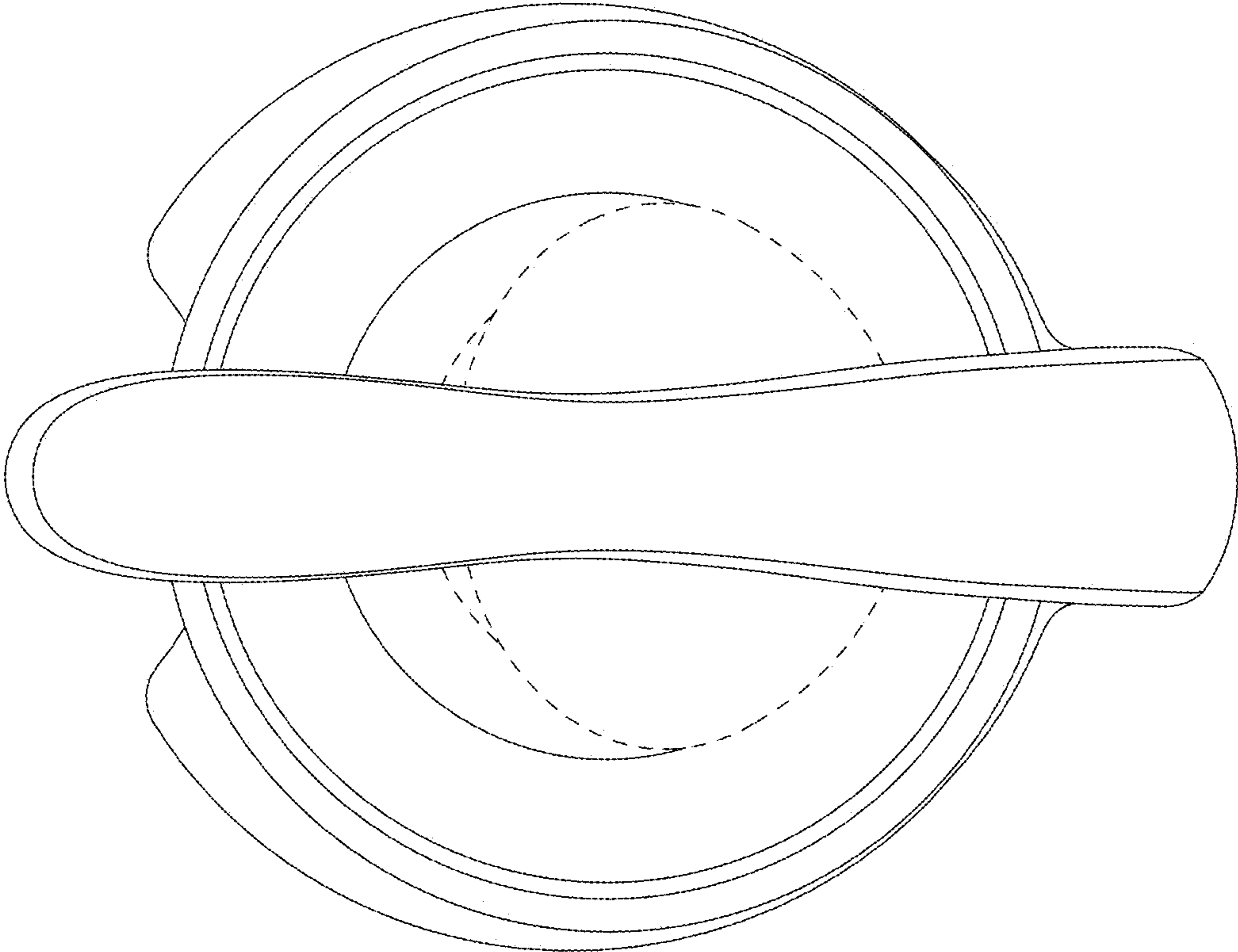


FIG. 7