



US00D755018S

(12) **United States Design Patent**
Liotta et al.

(10) **Patent No.:** **US D755,018 S**
(45) **Date of Patent:** **** May 3, 2016**

(54) **BEVERAGE CONTAINER HOLDER**

(71) Applicant: **ThinkGeek, Inc.**, Fairfax, VA (US)

(72) Inventors: **Tyson Liotta**, Rockville, MD (US);
Taehoon Kim, Annandale, VA (US)

(73) Assignee: **ThinkGeek, Inc.**, Fairfax, VA (US)

(**) Term: **14 Years**

(21) Appl. No.: **29/502,973**

(22) Filed: **Sep. 22, 2014**

(51) **LOC (10) Cl.** **07-06**

(52) **U.S. Cl.**
USPC **D7/622**; D7/396.2; D7/399; D7/624.2;
D7/319; D7/317

(58) **Field of Classification Search**
USPC D7/619.1-625, 701-708, 509-536, 598,
D7/600, 318, 317, 316, 319, 305, 396.2,
D7/399, 624.2; 220/742, 740
CPC . A47G 23/0233; A47G 23/0258; A47J 31/20;
A45F 5/10
See application file for complete search history.

(56) **References Cited**

U.S. PATENT DOCUMENTS

2,896,812	A *	7/1959	Paprocki	A47G 23/0266	220/740
D194,364	S *	1/1963	Hasen	D7/511	
D194,696	S *	2/1963	Kido	D7/511	
3,719,305	A *	3/1973	Pressnell	A47G 23/0233	215/395
D229,156	S *	11/1973	Moussette	220/740	
4,365,544	A *	12/1982	Howitt	A47J 31/20	99/297
D405,641	S *	2/1999	Brady	D7/317	
D410,170	S *	5/1999	Sheu	D7/317	

(Continued)

Primary Examiner — Marianne Pandozzi

(74) *Attorney, Agent, or Firm* — Womble Carlyle Sandridge & Rice LLP

(57) **CLAIM**

The ornamental design for a beverage container holder, as shown and described.

DESCRIPTION

FIG. 1 is a perspective view of a beverage container holder, in accordance with a first embodiment of the present invention; FIG. 2 is a front elevation view of the beverage container holder of FIG. 1;

FIG. 3 is a rear elevation view of the beverage container holder of FIG. 1;

FIG. 4 is a right elevation view of the beverage container holder of FIG. 1;

FIG. 5 is a left elevation view of the beverage container holder of FIG. 1;

FIG. 6 is a top plan view of the beverage container holder of FIG. 1;

FIG. 7 is a bottom plan view of the beverage container holder of FIG. 1;

FIG. 8 is a perspective view of a beverage container holder, in accordance with a second embodiment of the present invention;

FIG. 9 is a front elevation view of the beverage container holder of FIG. 8;

FIG. 10 is a rear elevation view of the beverage container holder of FIG. 8;

FIG. 11 is a right elevation view of the beverage container holder of FIG. 8;

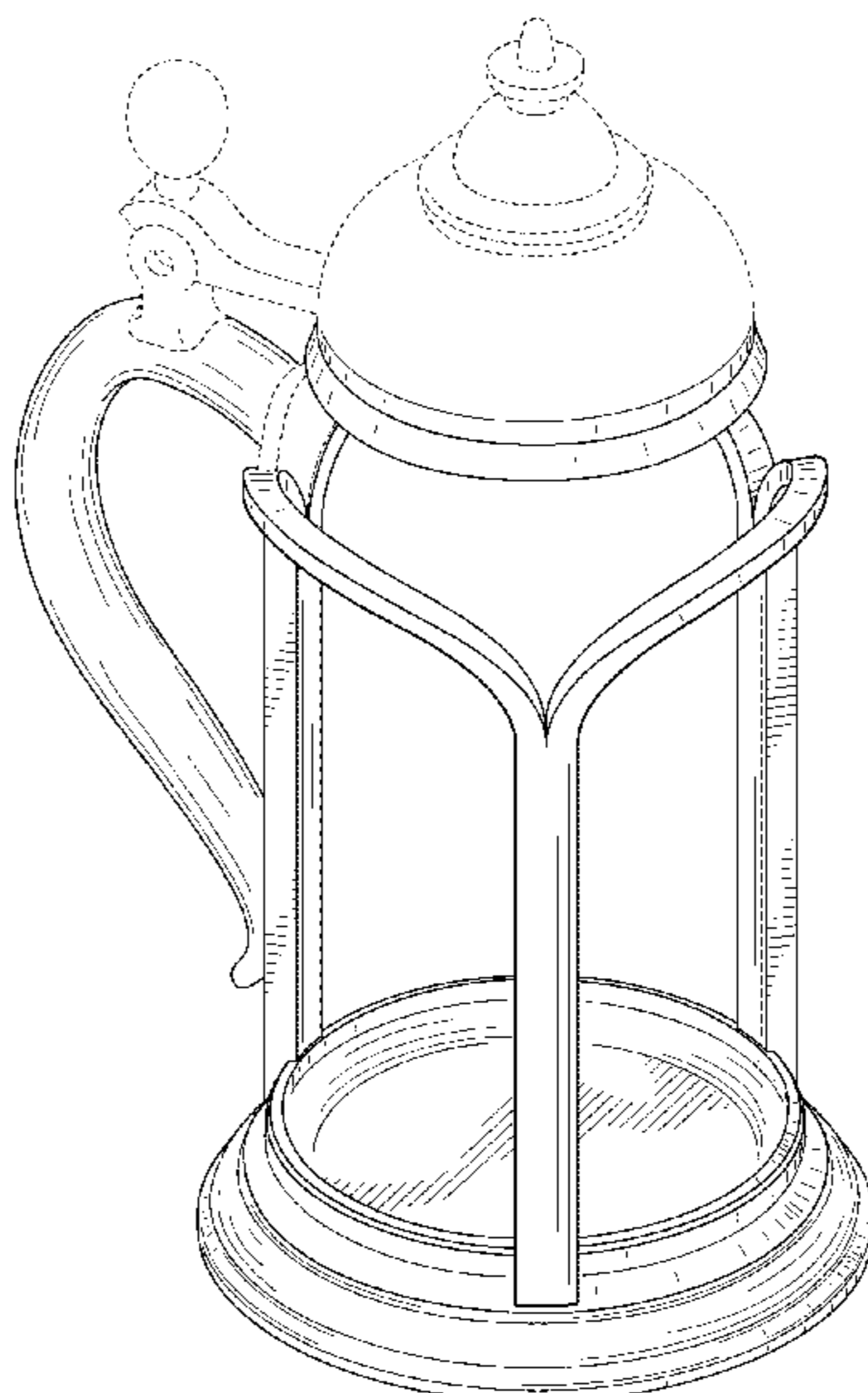
FIG. 12 is a left elevation view of the beverage container holder of FIG. 8;

FIG. 13 is a top plan view of the beverage container holder of FIG. 8; and,

FIG. 14 is a bottom plan view of the beverage container holder of FIG. 8.

The broken lines shown herein are for illustrative purposes and form no part of the claimed design.

1 Claim, 12 Drawing Sheets



(56)

References Cited

U.S. PATENT DOCUMENTS

5,921,431 A *	7/1999	Pych	A47G 23/0241	D474,568 S *	5/2003	Clark	D32/26
				215/10	D567,007 S *	4/2008	Bodum	D7/317
D449,957 S *	11/2001	Yeh	D7/317	D612,660 S *	3/2010	Bodum	D7/317
D458,074 S *	6/2002	Bodum	D7/317	D628,846 S *	12/2010	Bodum	D7/317
					D646,110 S *	10/2011	Munro	D7/317
					D648,974 S *	11/2011	Munro	D7/317
					D677,103 S *	3/2013	Melzer	D7/317

* cited by examiner

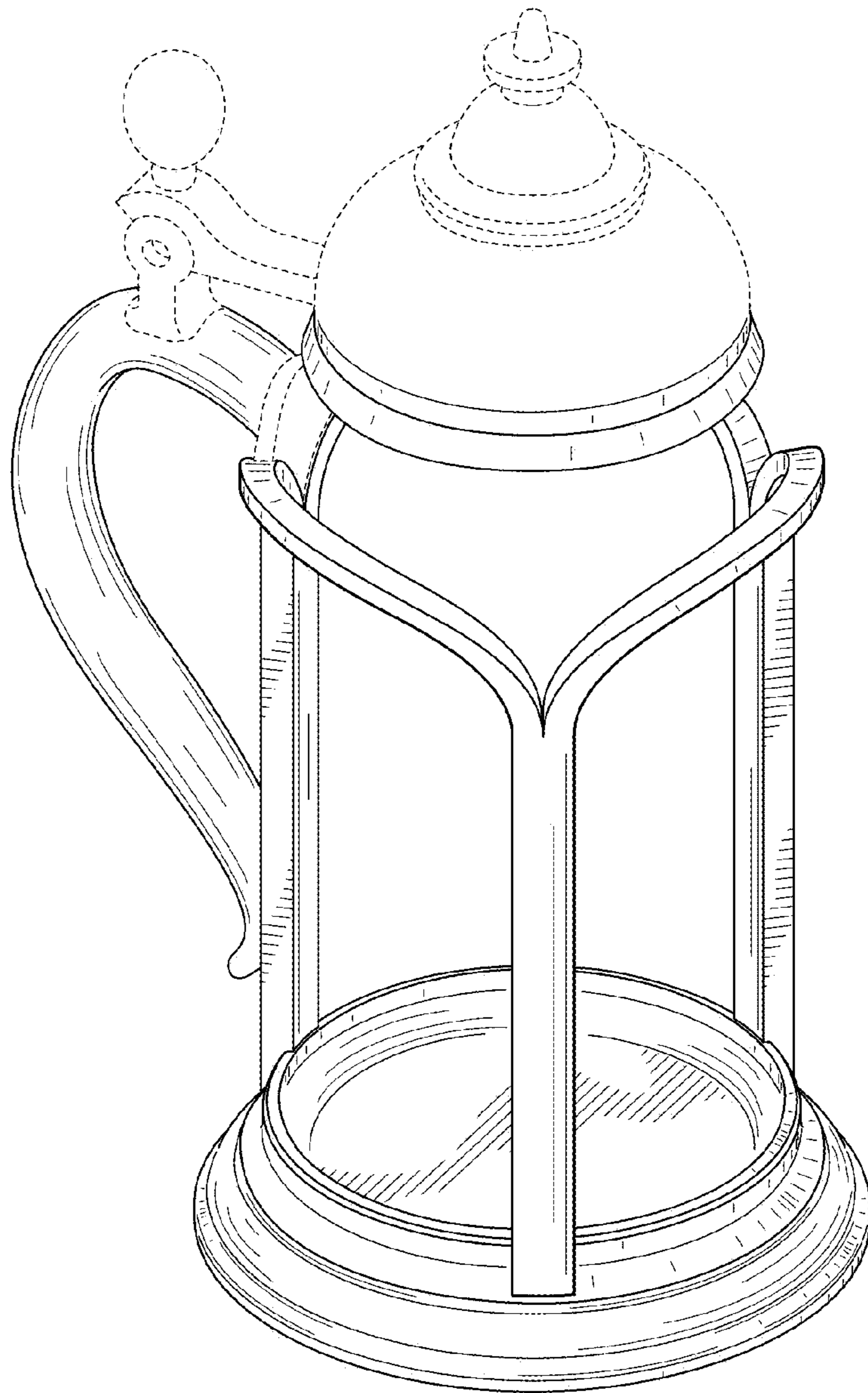


FIG. 1

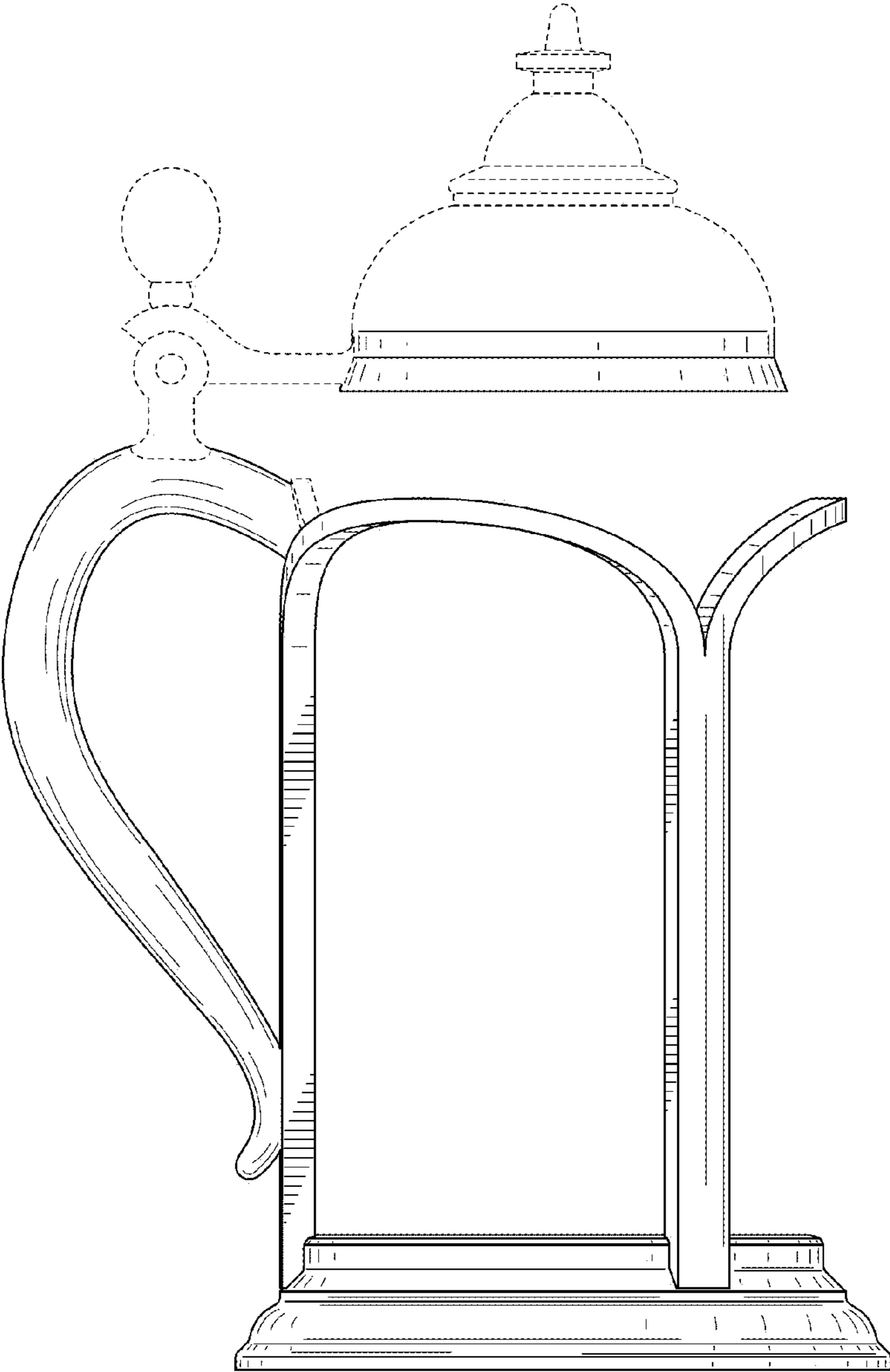


FIG. 2

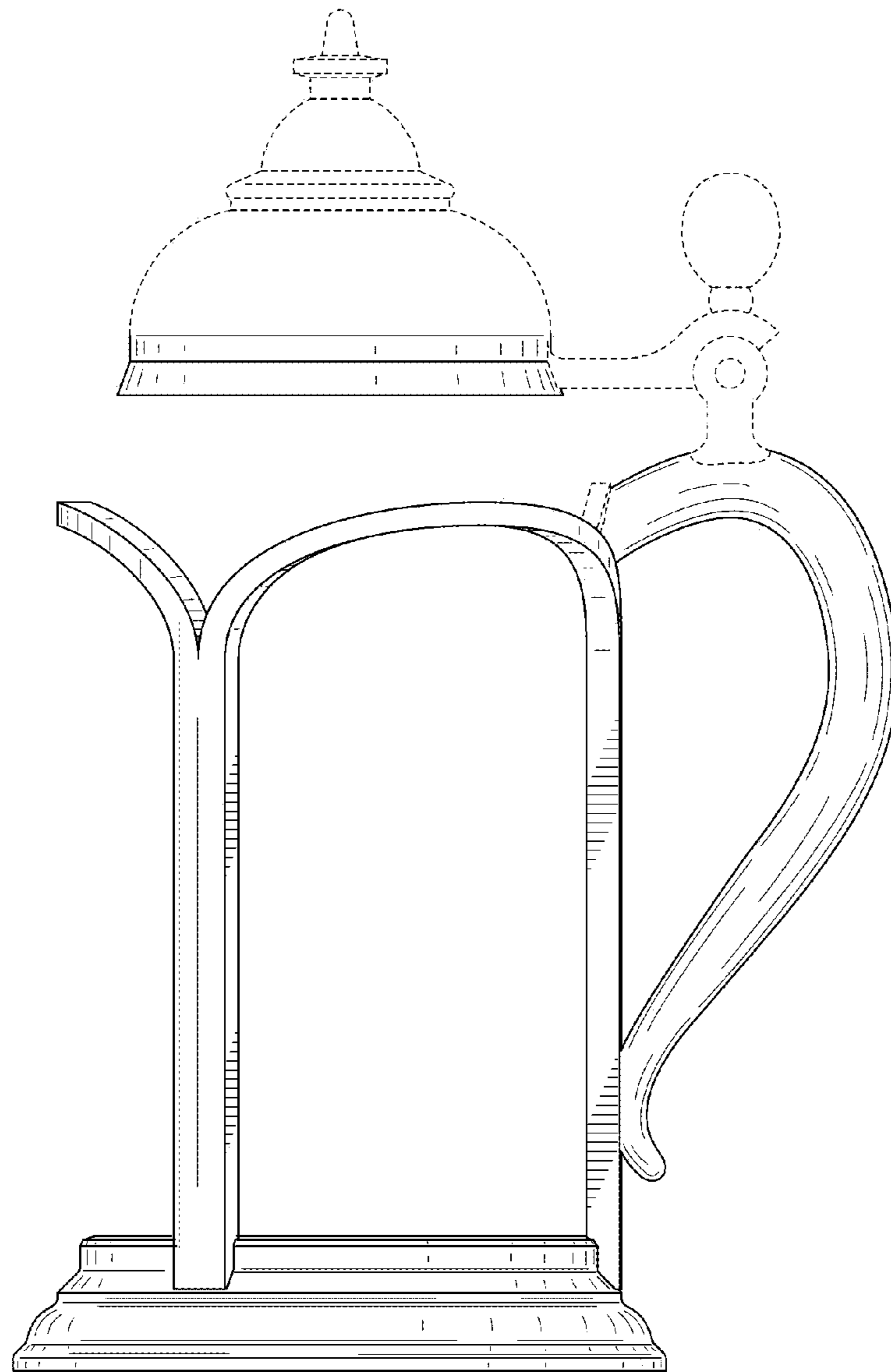


FIG. 3

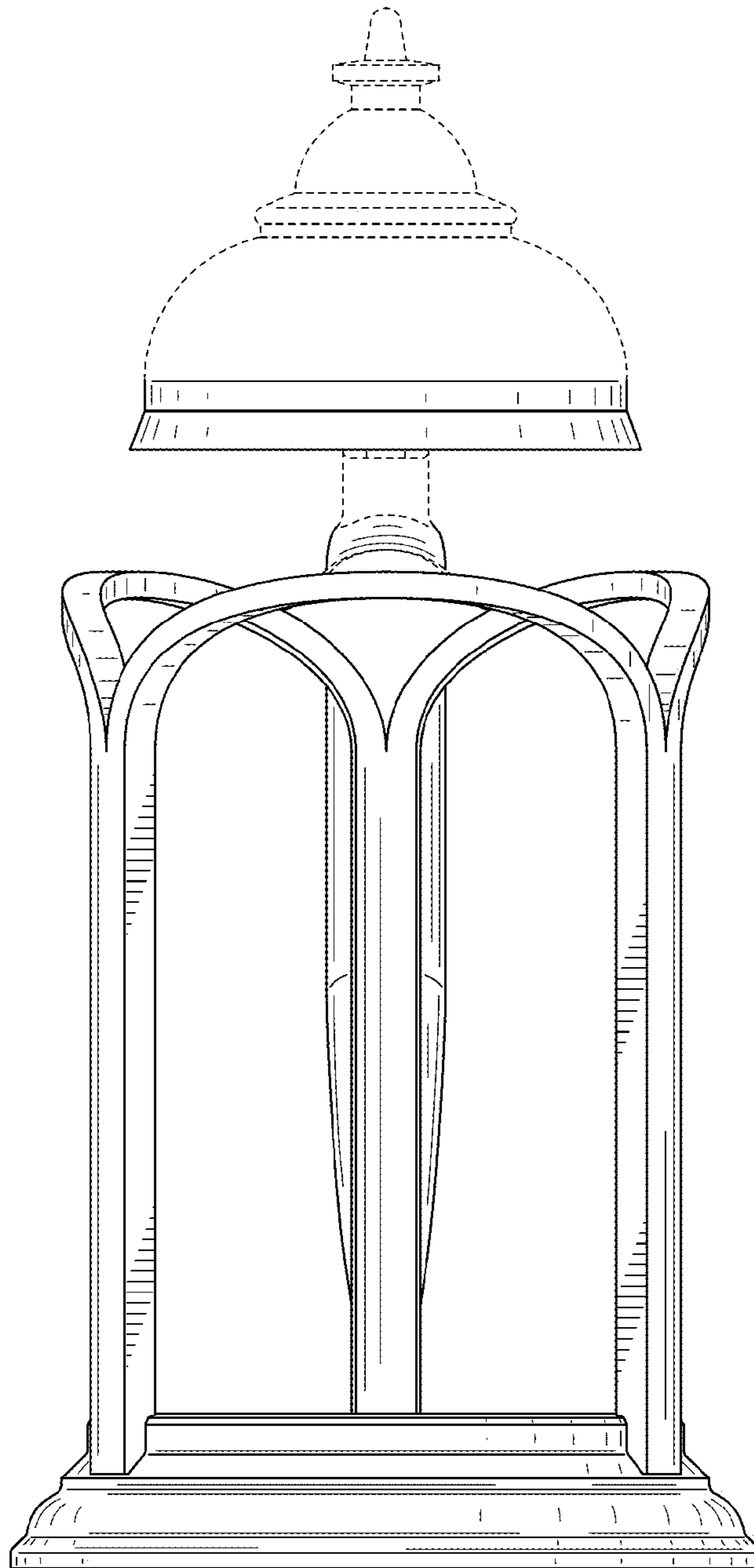


FIG. 4

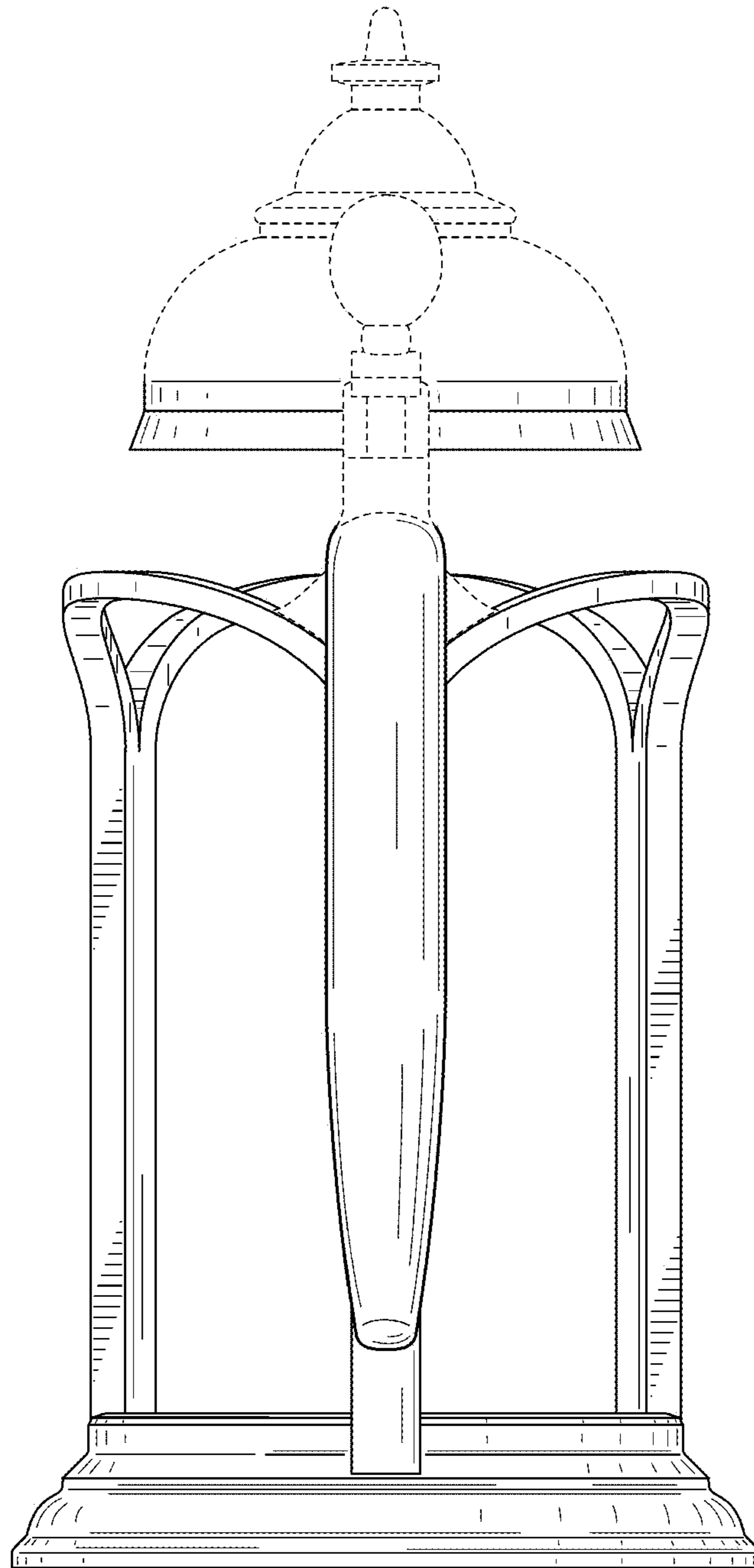


FIG. 5

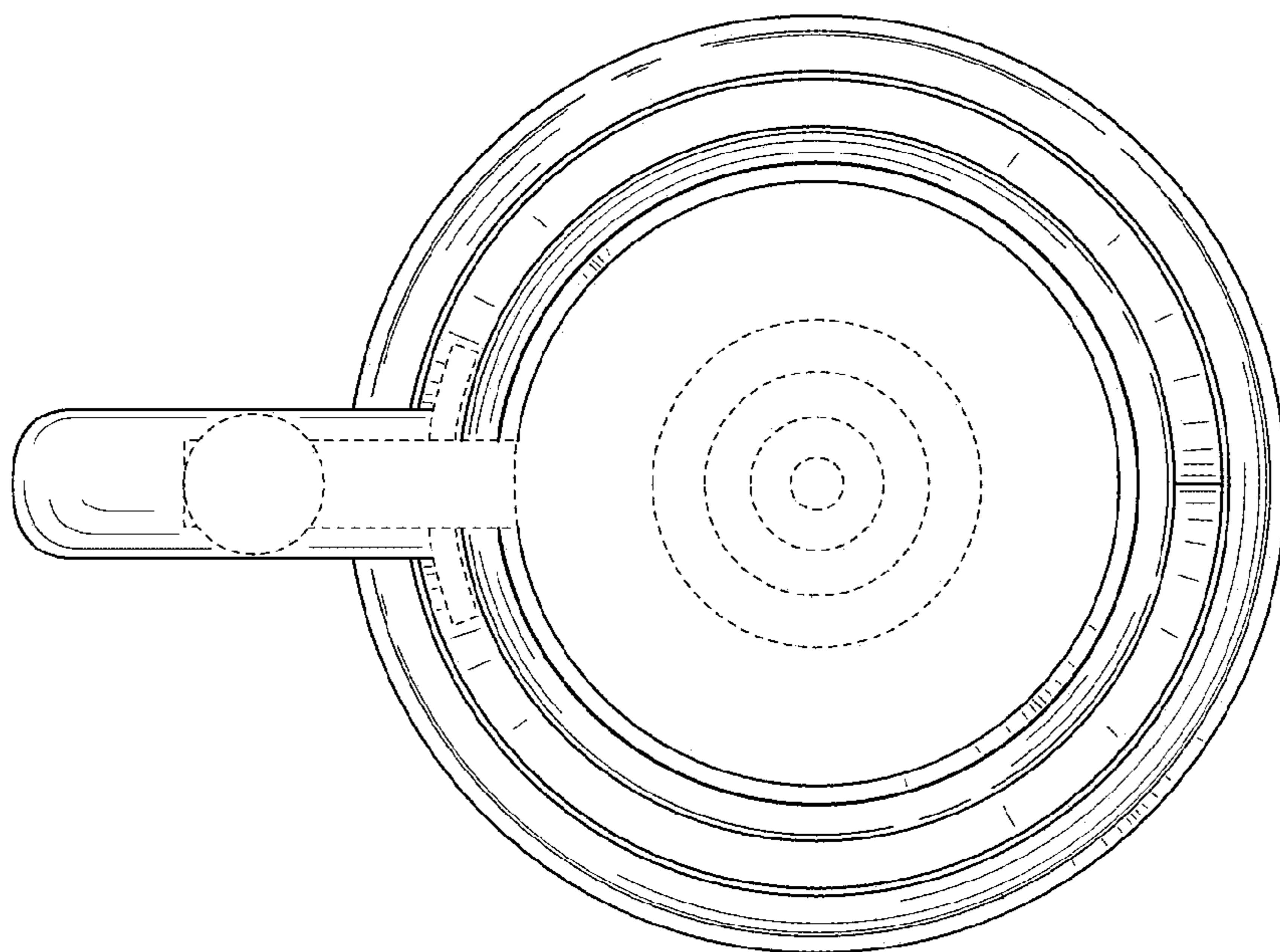


FIG. 6

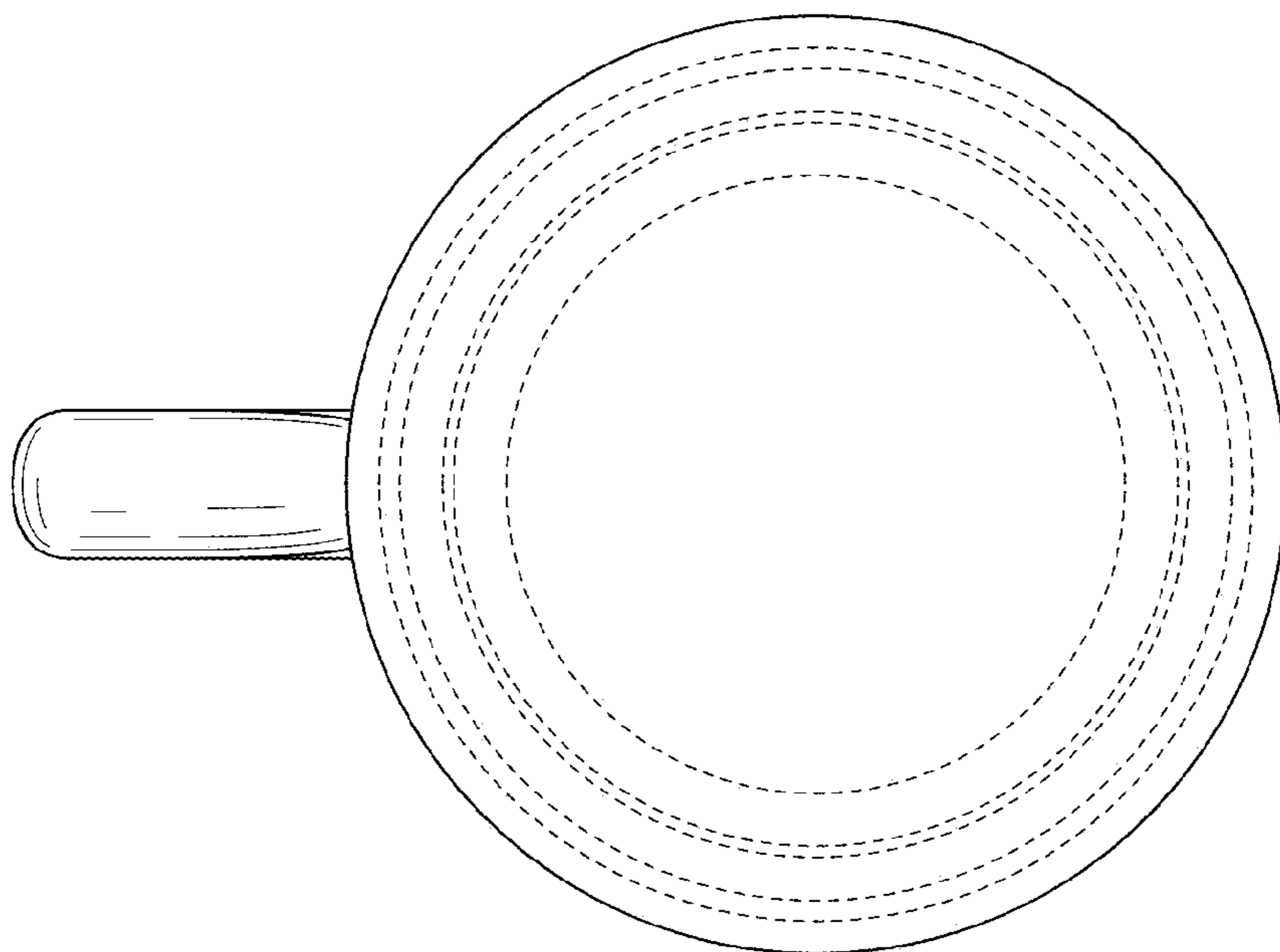


FIG. 7

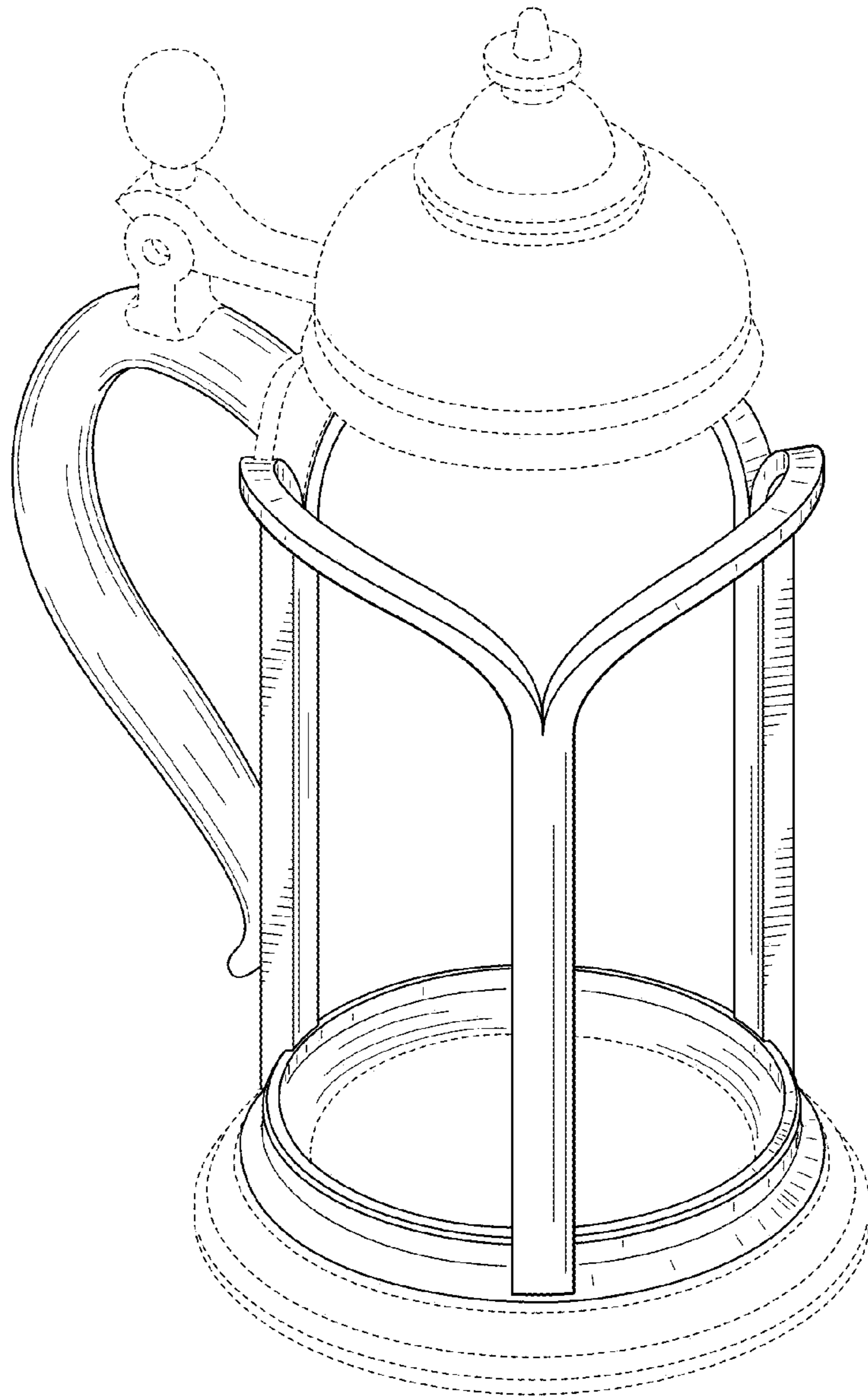


FIG. 8

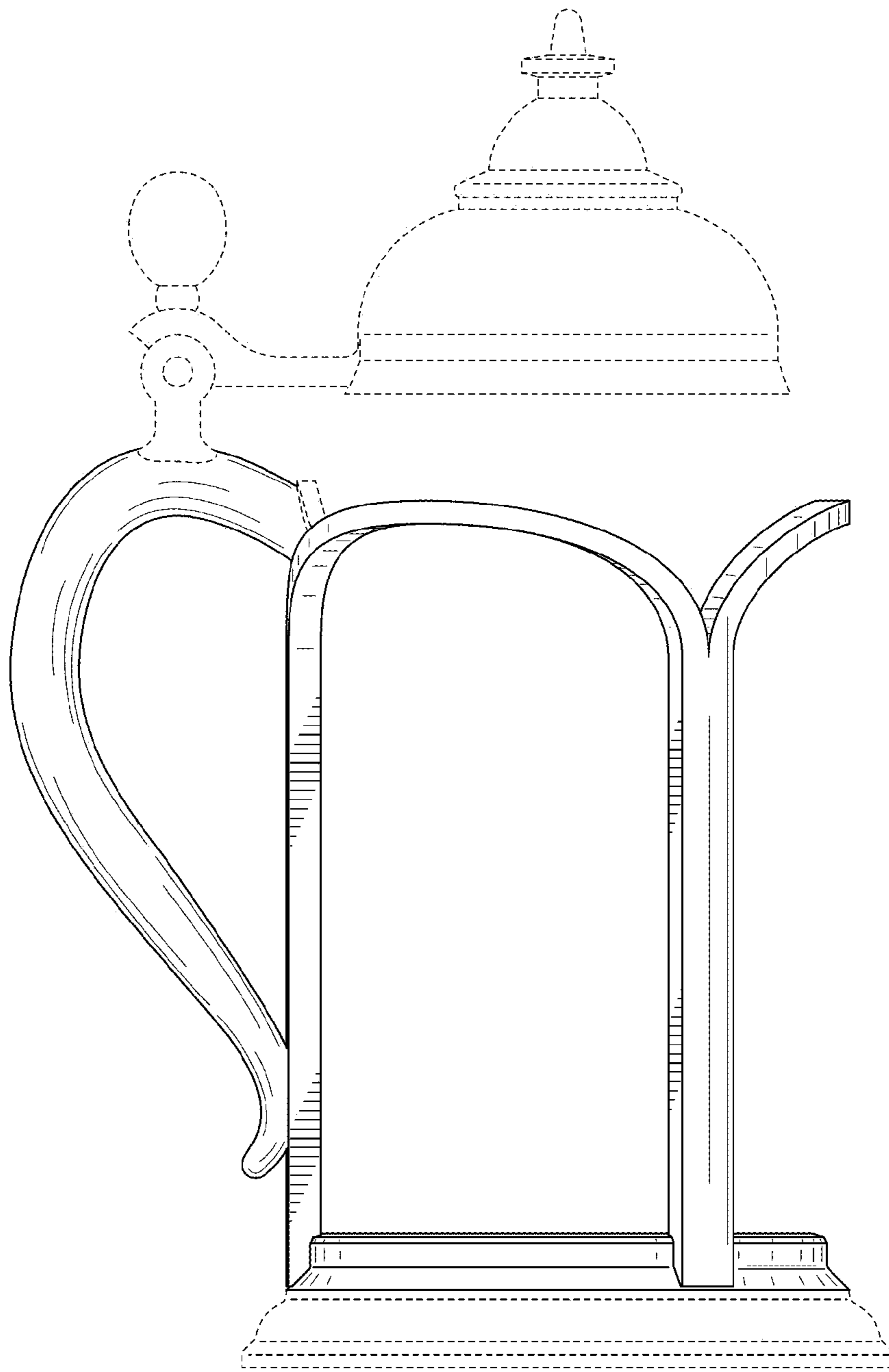


FIG. 9

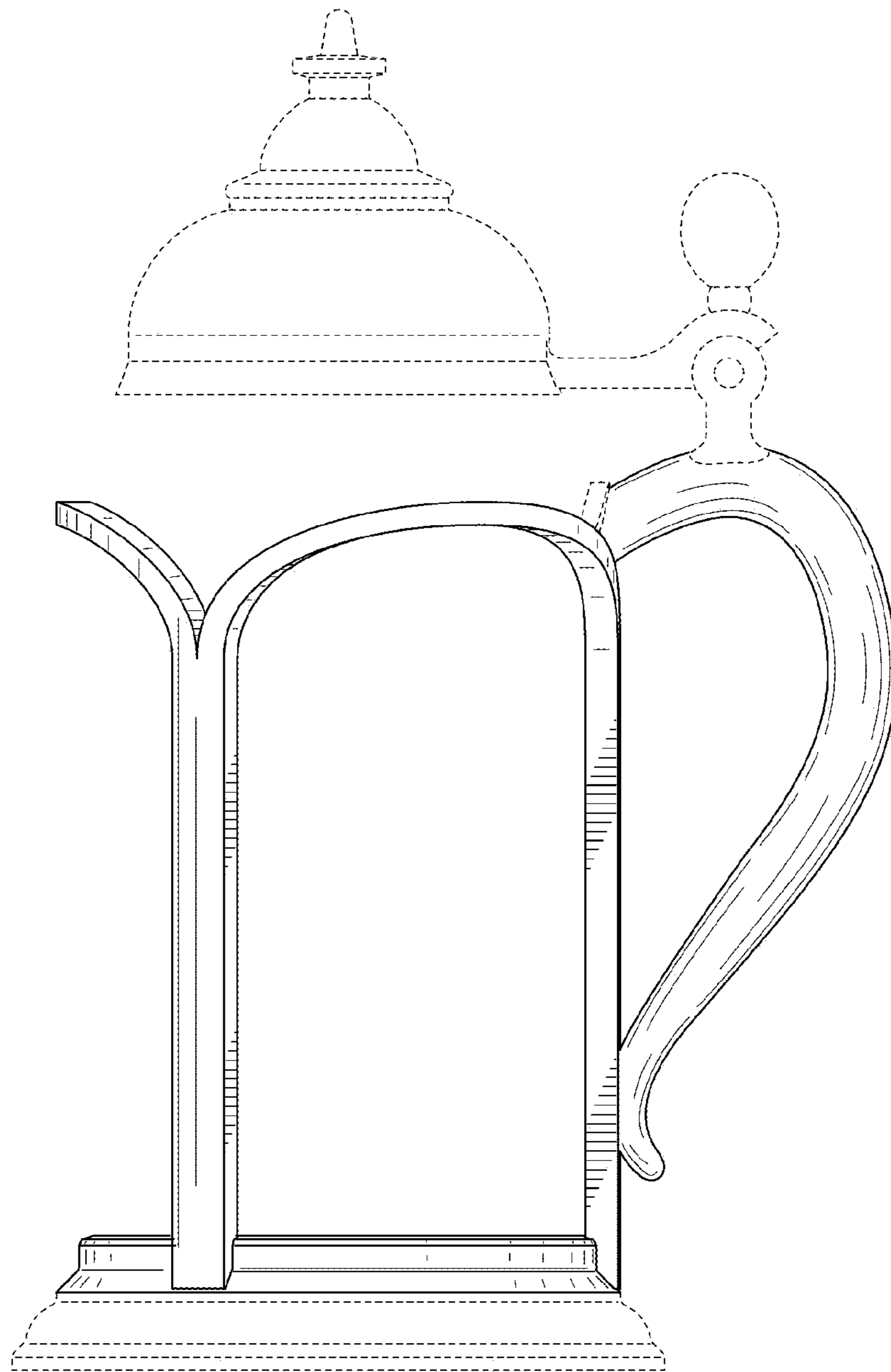


FIG. 10

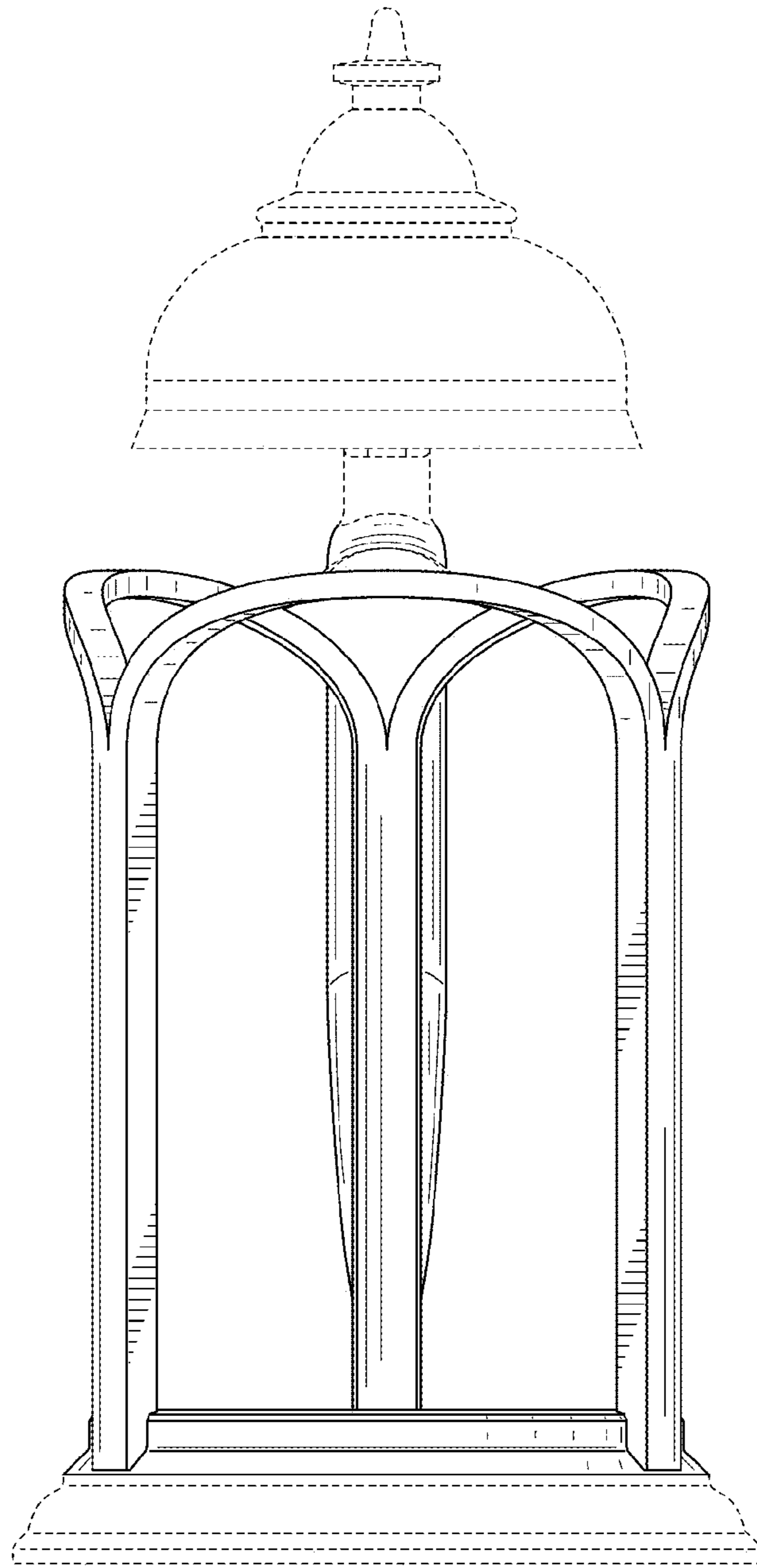


FIG. 11

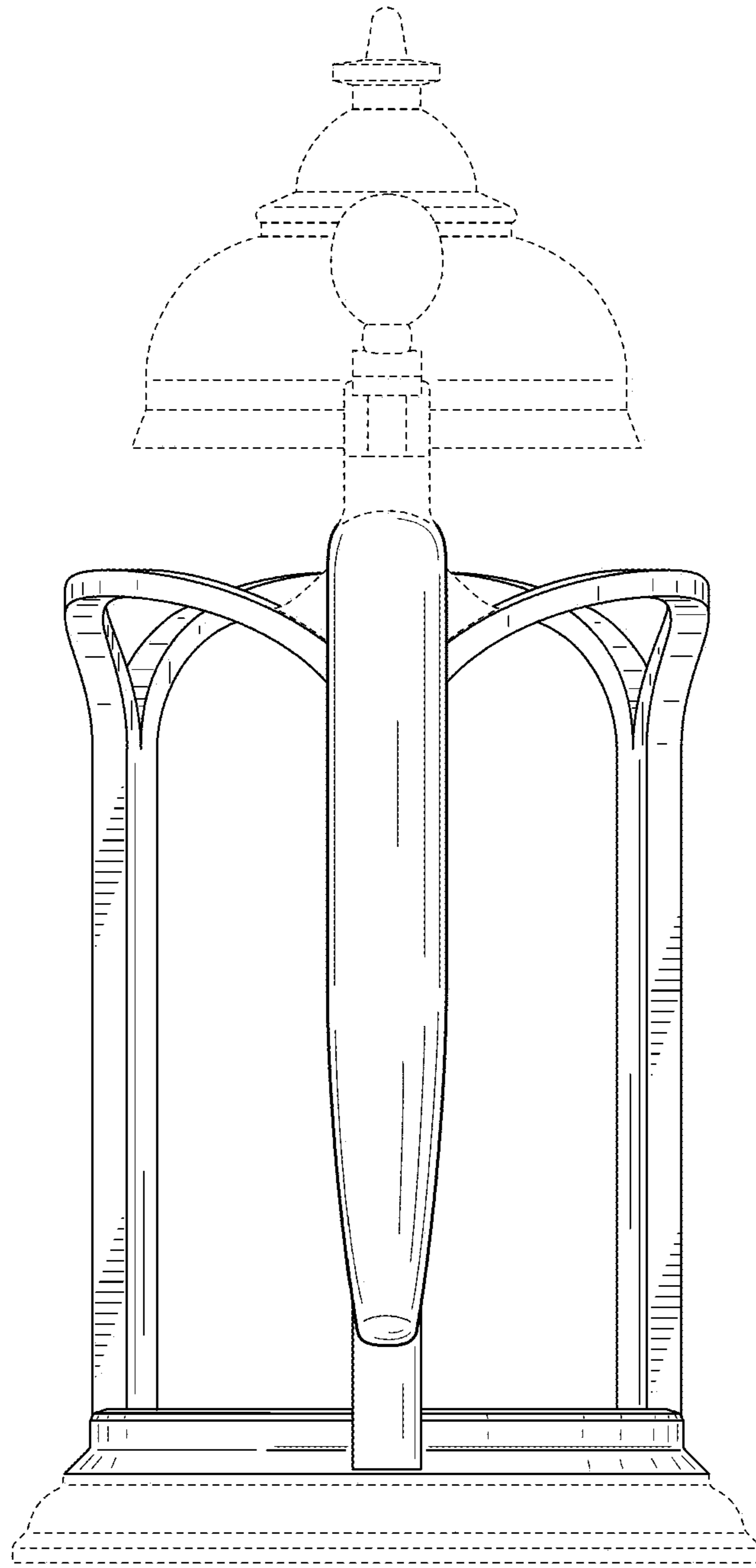


FIG. 12

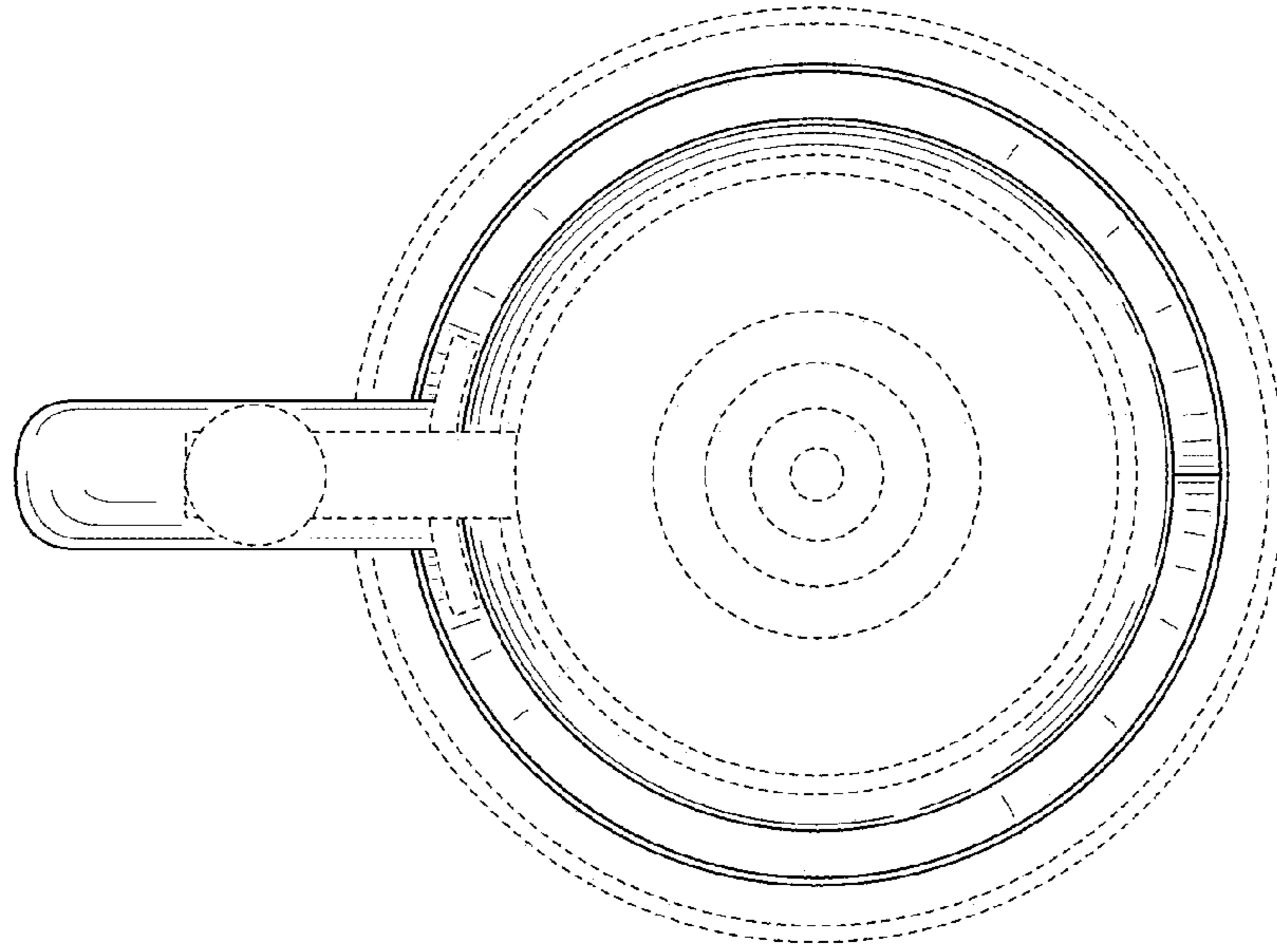


FIG. 13

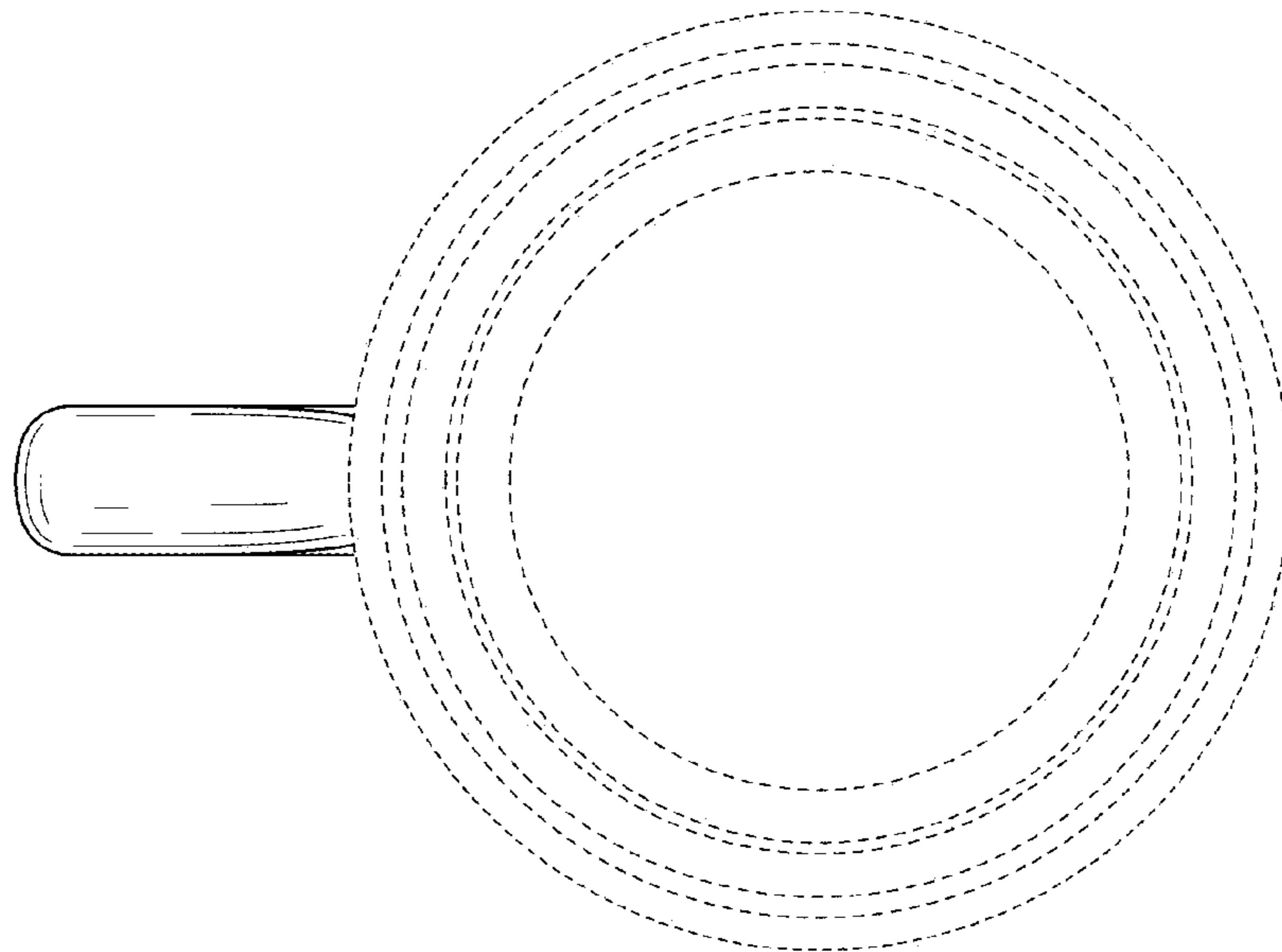


FIG. 14