



US00D755015S

(12) **United States Design Patent**
Ash et al.

(10) **Patent No.:** **US D755,015 S**
(45) **Date of Patent:** **** May 3, 2016**

- (54) **MUG WITH BASEBALL GLOVE**
- (71) Applicant: **Max's Creations, Inc.**, Boston, MA (US)
- (72) Inventors: **Max J Ash**, Weston, MA (US); **Jordan Nollman**, Boston, MA (US)
- (73) Assignee: **HMDYH Holding Company, LLC**, Boston, MA (US)
- (**) Term: **14 Years**
- (21) Appl. No.: **29/521,174**
- (22) Filed: **Mar. 20, 2015**

Related U.S. Application Data

- (63) Continuation-in-part of application No. 14/624,892, filed on Feb. 18, 2015, and a continuation-in-part of application No. 14/624,963, filed on Feb. 18, 2015.
- (51) **LOC (10) Cl.** **07-01**
- (52) **U.S. Cl.**
USPC **D7/515**; D7/514; D9/668
- (58) **Field of Classification Search**
USPC D7/509–516, 523, 533, 534, 535, 326, D7/543, 548, 300, 312, 314, 316, 318, 319, D7/320, 598, 589, 396.2, 507, 529, 300.2, D7/608, 901; 215/229; D24/197, 198, 199; 220/703, 714, 710, 710.5, 212.5; D9/440, 436, 447, 530, 526, 554, 540, D9/668; D29/115
CPC A47G 19/22; A47G 19/2266; A47G 19/2272; A61J 9/00; A61J 9/06; A61J 9/08; A61J 9/085

See application file for complete search history.

(56) **References Cited**

U.S. PATENT DOCUMENTS

2,510,218	A *	6/1950	Goldsmith	A63B 71/143
				2/19
D169,483	S *	5/1953	Herdecker	131/231
D171,267	S *	1/1954	Rothe	D7/533
D249,918	S *	10/1978	Block	D7/514
D264,395	S *	5/1982	Sasaki	D29/115
D304,262	S *	10/1989	Mays	D3/271.9
D340,075	S *	10/1993	Turner	D19/82
5,253,365	A *	10/1993	Clevenhagen	A63B 71/143
				2/19
D349,627	S *	8/1994	Rigsby	D7/514
D375,226	S *	11/1996	Blankenburg	D7/515
D376,675	S *	12/1996	Yamada	D29/115
D405,639	S *	2/1999	Clark	D7/510

(Continued)

Primary Examiner — Marianne Pandozzi
Assistant Examiner — Jae Liang
 (74) *Attorney, Agent, or Firm* — Ascentage Patent Law, LLC; Travis L. Johnson; David S. Einfeldt

(57) **CLAIM**
 The ornamental design for a mug with baseball glove, as shown and described.

DESCRIPTION

FIG. 1 is a top perspective view of a mug with baseball glove showing our new design;
 FIG. 2 is a top view of the mug with baseball glove;
 FIG. 3 is a bottom view of the mug with baseball glove;
 FIG. 4 is a front view of the mug with baseball glove;
 FIG. 5 is a side view of the mug with baseball glove; and,
 FIG. 6 is an enlarged view of the dashed rectangular section shown in FIG. 4.
 Where included, the use of stippling is intended to denote a difference in materials.
 The broken lines shown in the figures represent portions of a mug with baseball glove that form no part of the claimed design.

1 Claim, 3 Drawing Sheets



(56)

References Cited

U.S. PATENT DOCUMENTS

D464,234 S *	10/2002	Miller	D7/533	D598,713 S *	8/2009	Luft	D7/533
D561,536 S *	2/2008	Virgilio	D7/509	D620,760 S *	8/2010	Wang Chen	D7/533
D569,192 S *	5/2008	Bodum	D7/533	D648,627 S *	11/2011	Azar	D9/451
D575,165 S *	8/2008	Billings	D21/588	D691,895 S *	10/2013	Escobar	D9/414
D594,701 S *	6/2009	Sax	D7/515	D702,890 S *	4/2014	Hedeen, Jr.	D29/115
					D723,336 S *	3/2015	Ash	D7/515
					D740,130 S *	10/2015	Martin	D9/668

* cited by examiner

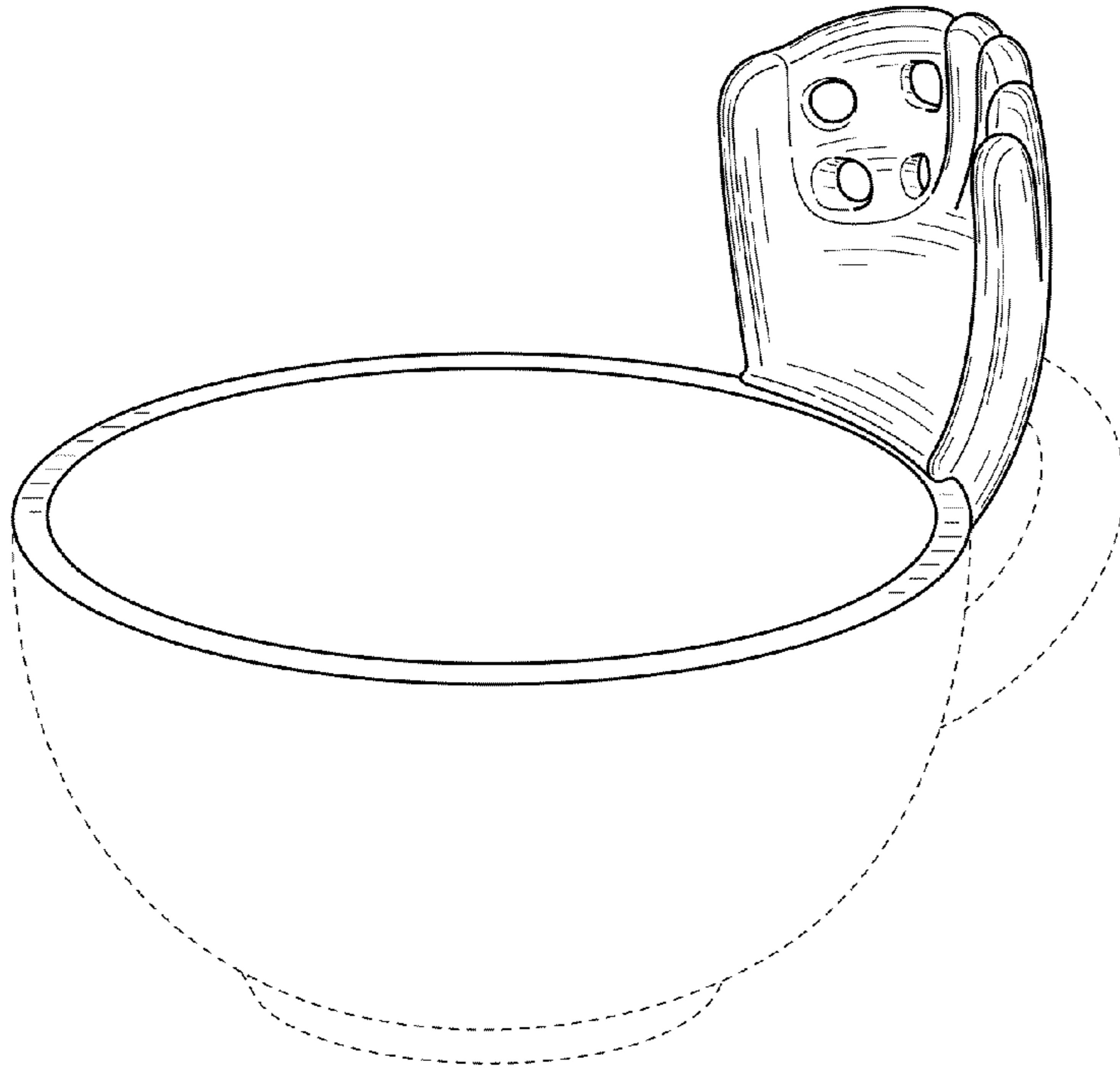


FIG. 1

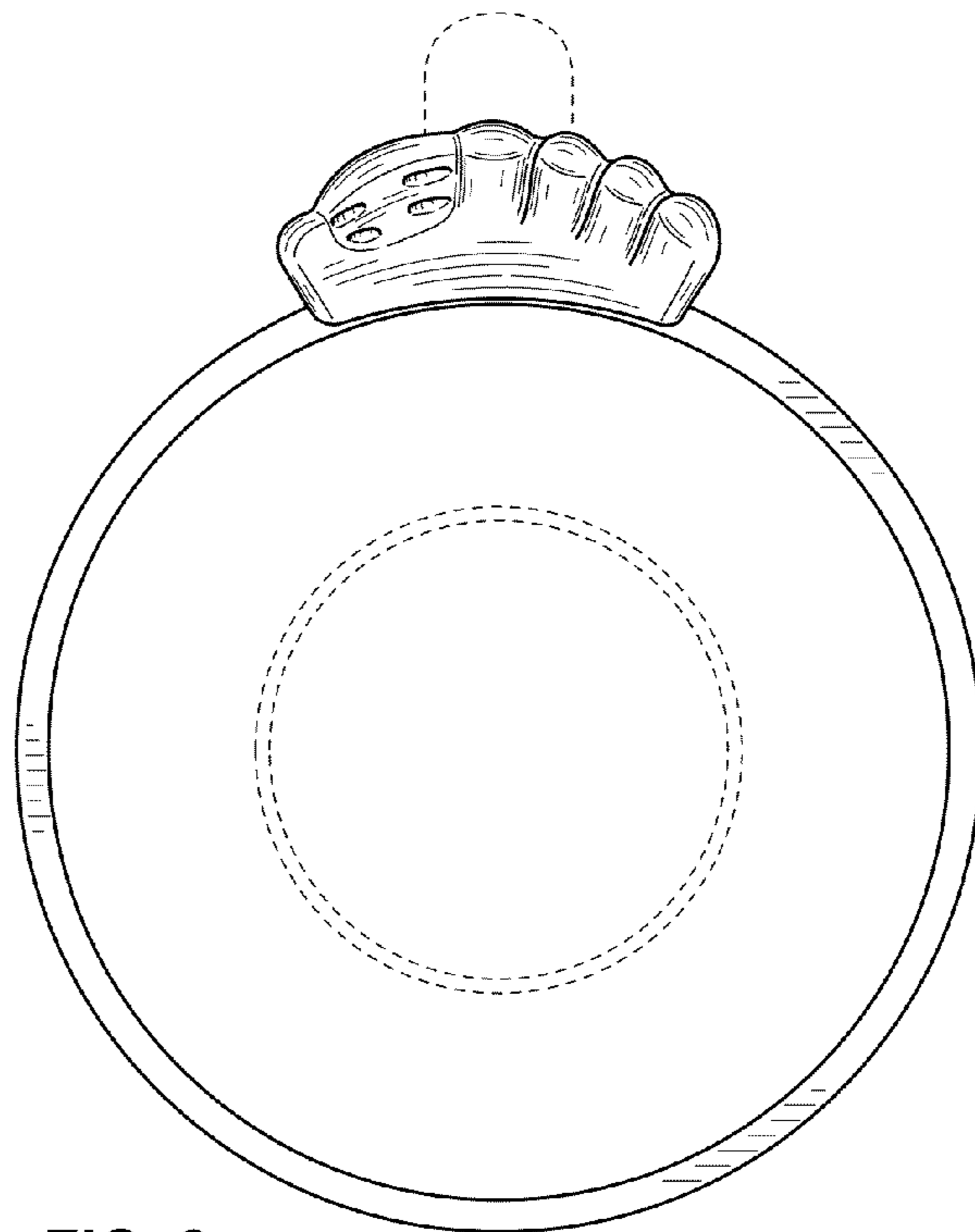


FIG. 2

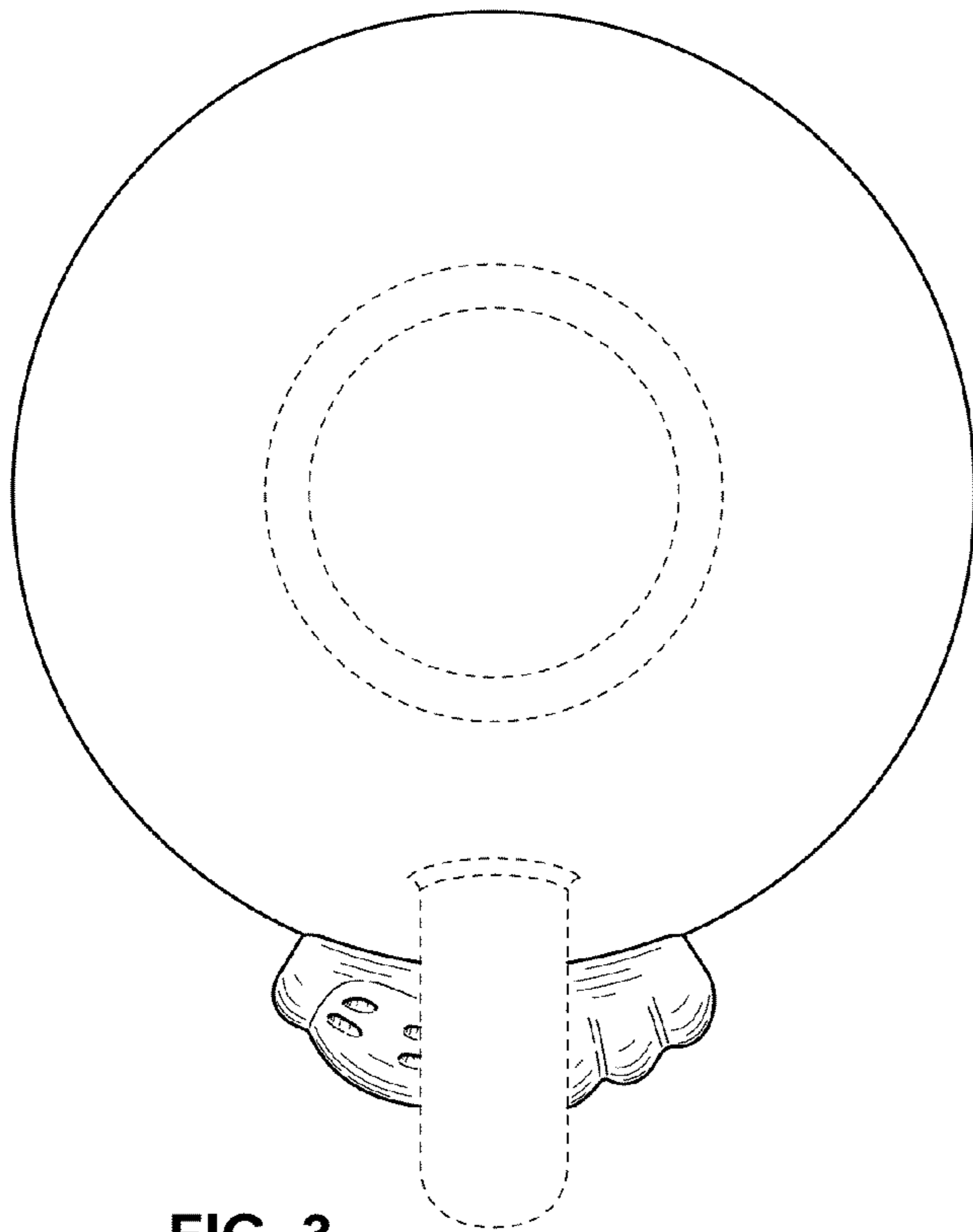


FIG. 3

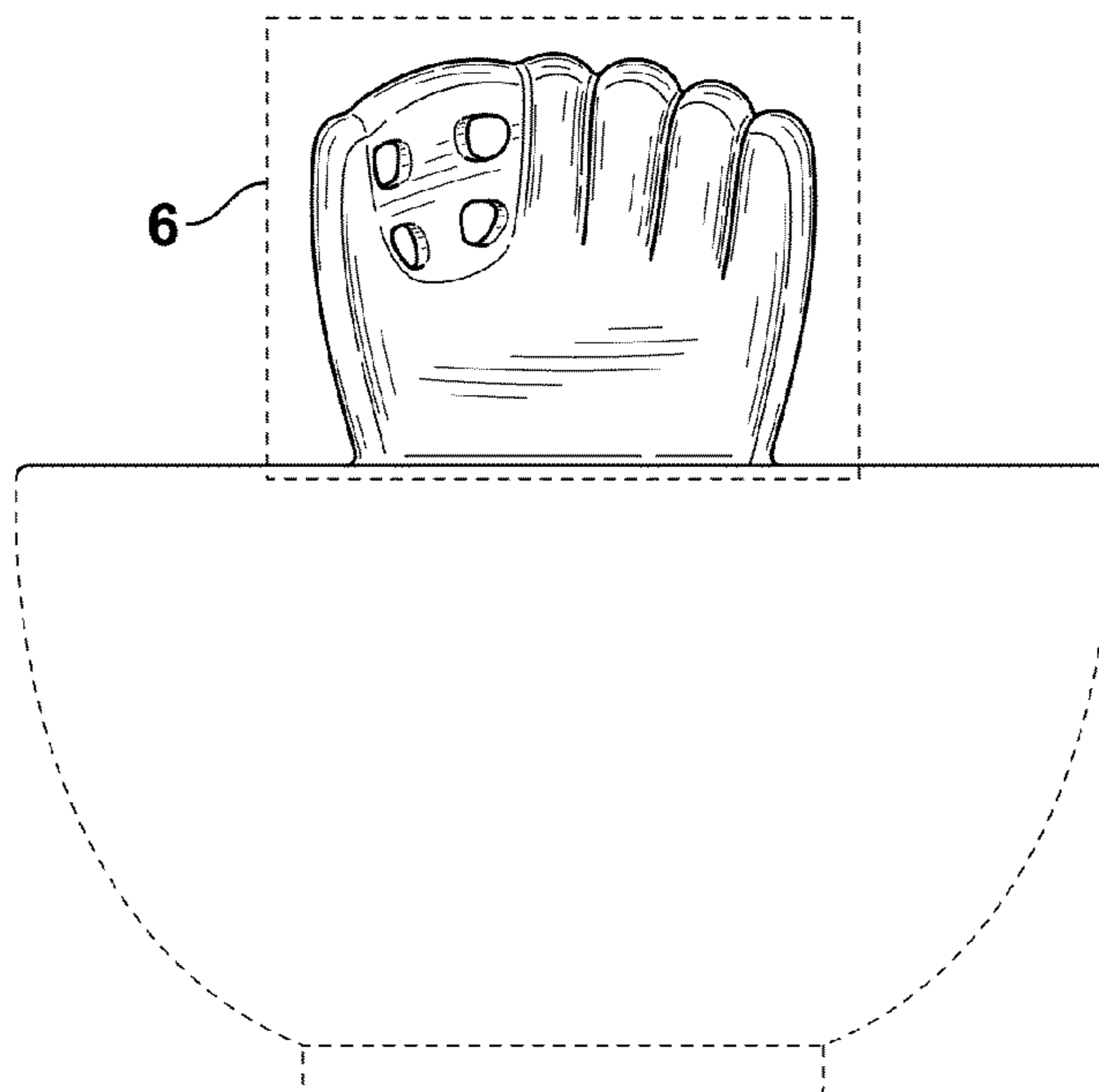


FIG. 4

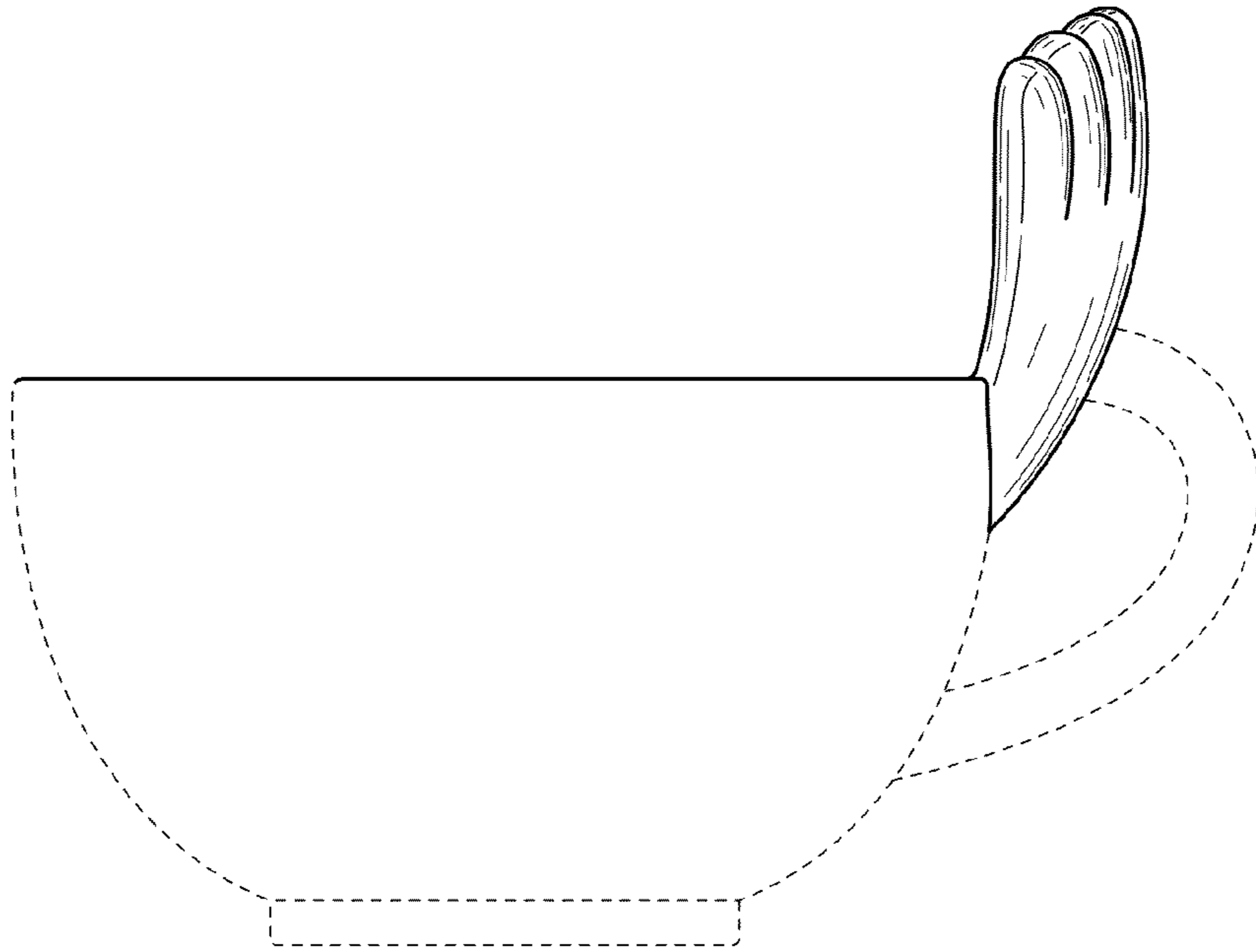


FIG. 5

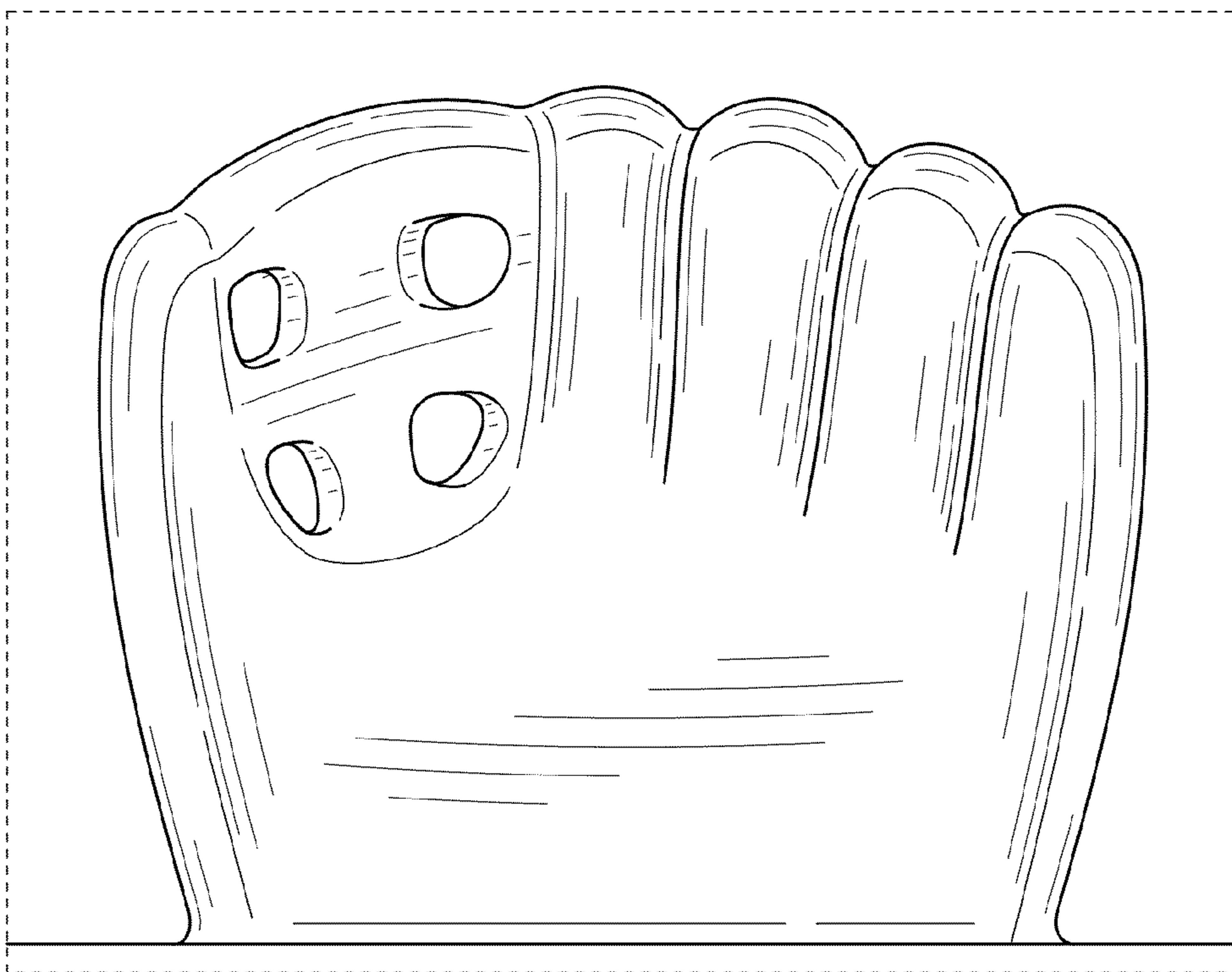


FIG. 6