



US00D755013S

(12) **United States Design Patent**
Khubani et al.

(10) **Patent No.:** **US D755,013 S**
(45) **Date of Patent:** **** May 3, 2016**

(54) **CONTAINER**

(71) Applicants: **Anand Khubani**, Towaco, NJ (US);
Aaron Szymanski, Thomaston, CT (US)

(72) Inventors: **Anand Khubani**, Towaco, NJ (US);
Aaron Szymanski, Thomaston, CT (US)

(73) Assignee: **IdeaVillage Products Corporation**,
Wayne, NJ (US)

(**) Term: **14 Years**

(21) Appl. No.: **29/474,713**

(22) Filed: **Jan. 9, 2015**

Related U.S. Application Data

(63) Continuation-in-part of application No. 29/481,861,
filed on Feb. 11, 2014, now Pat. No. Des. 723,871.

(51) **LOC (10) Cl.** **07-01**

(52) **U.S. Cl.**
USPC **D7/507; D7/513**

(58) **Field of Classification Search**
USPC D7/300, 300.1, 300.2, 305, 396.1,
D7/396.2, 505, 507, 509, 511, 513, 523,
D7/532, 538, 541, 543, 549, 602, 619.1,
D7/624.1, 624.2; D9/434, 435, 436, 443,
D9/447, 449, 517, 519, 523, 530, 537, 715,
D9/716, 737, 738, 740, 741, 743, 744,
D9/751; 215/12.1; 220/288, 592.16,
220/592.17, 592.2, 592.24, 592.27, 694,
220/703, 711, 737, 739

See application file for complete search history.

(56) **References Cited**

U.S. PATENT DOCUMENTS

5,180,079 A * 1/1993 Jeng A47G 19/065
206/217
D608,147 S * 1/2010 Sykes D7/507

D648,985 S * 11/2011 Chiu D7/510
D669,736 S * 10/2012 Bodum D7/510
D674,241 S * 1/2013 Bickert D7/510
D679,550 S * 4/2013 Chapman D7/591
D679,554 S * 4/2013 Molz D7/607
D688,521 S * 8/2013 Lees D7/510
D688,523 S * 8/2013 Lees D7/510
D701,425 S * 3/2014 Pearson D7/510
D705,609 S * 5/2014 Keyes D7/523
D715,100 S * 10/2014 Eyal D7/510
D723,871 S * 3/2015 Khubani D7/505
D740,611 S * 10/2015 Crosby D7/531
D740,612 S * 10/2015 Crosby D7/531
D740,613 S * 10/2015 Crosby D7/531

FOREIGN PATENT DOCUMENTS

CN 300959495 * 7/2009

* cited by examiner

Primary Examiner — Susan Bennett Hattan

Assistant Examiner — Leanne Was

(74) *Attorney, Agent, or Firm* — Dan DeLaRosa

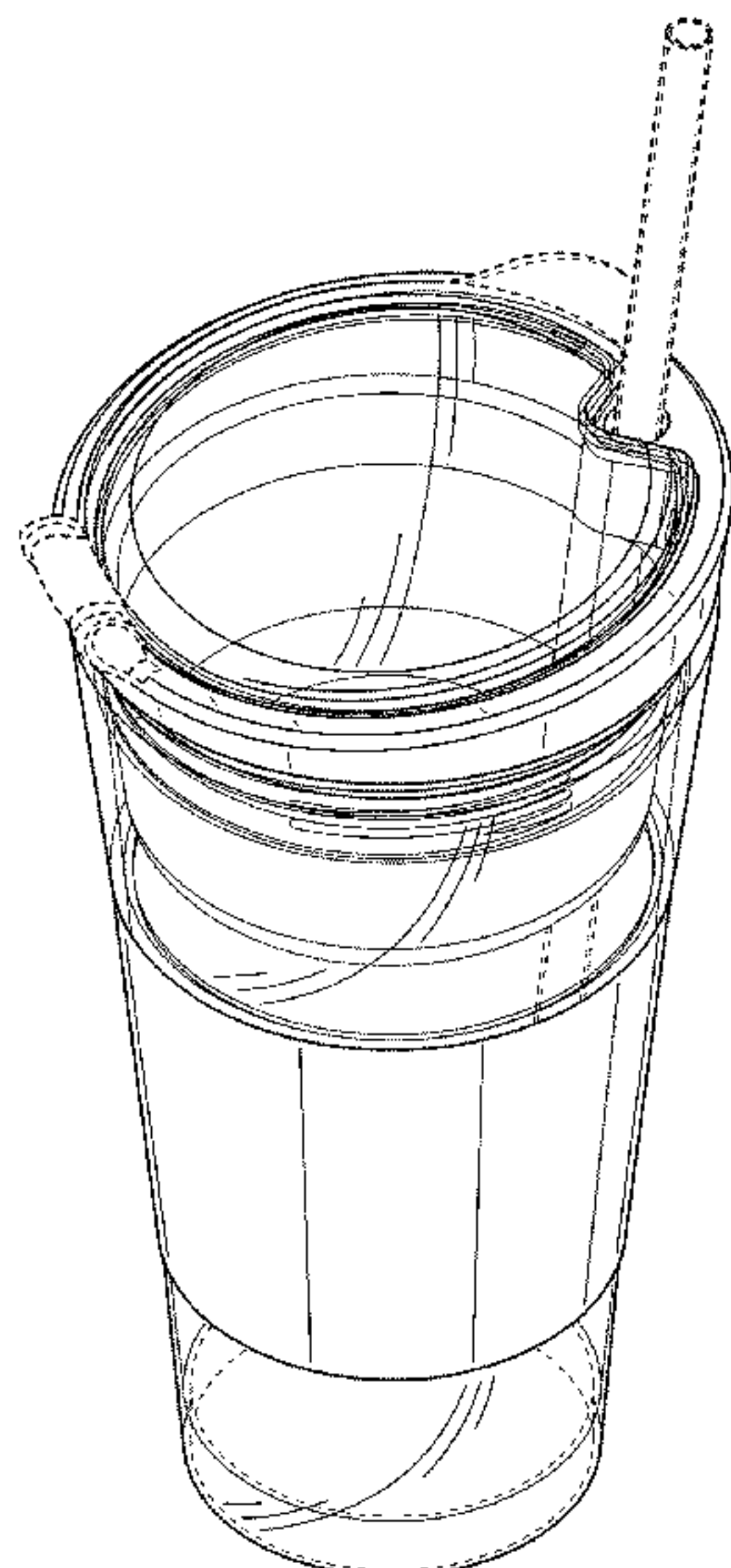
(57) **CLAIM**

The ornamental design for a container, as shown and described.

DESCRIPTION

FIG. 1 is a perspective view of a container of the present invention showing my new design;
FIG. 2 is a front side elevation view thereof;
FIG. 3 is a back side elevation view thereof;
FIG. 4 is a left side elevation view thereof;
FIG. 5 is a right side elevation view thereof;
FIG. 6 is top plan view thereof;
FIG. 7 is a bottom plan view thereof; and,
FIG. 8 is an exploded perspective view thereof.
The broken lines in the drawing depict portions of the container that form no part of the claimed design.

1 Claim, 7 Drawing Sheets



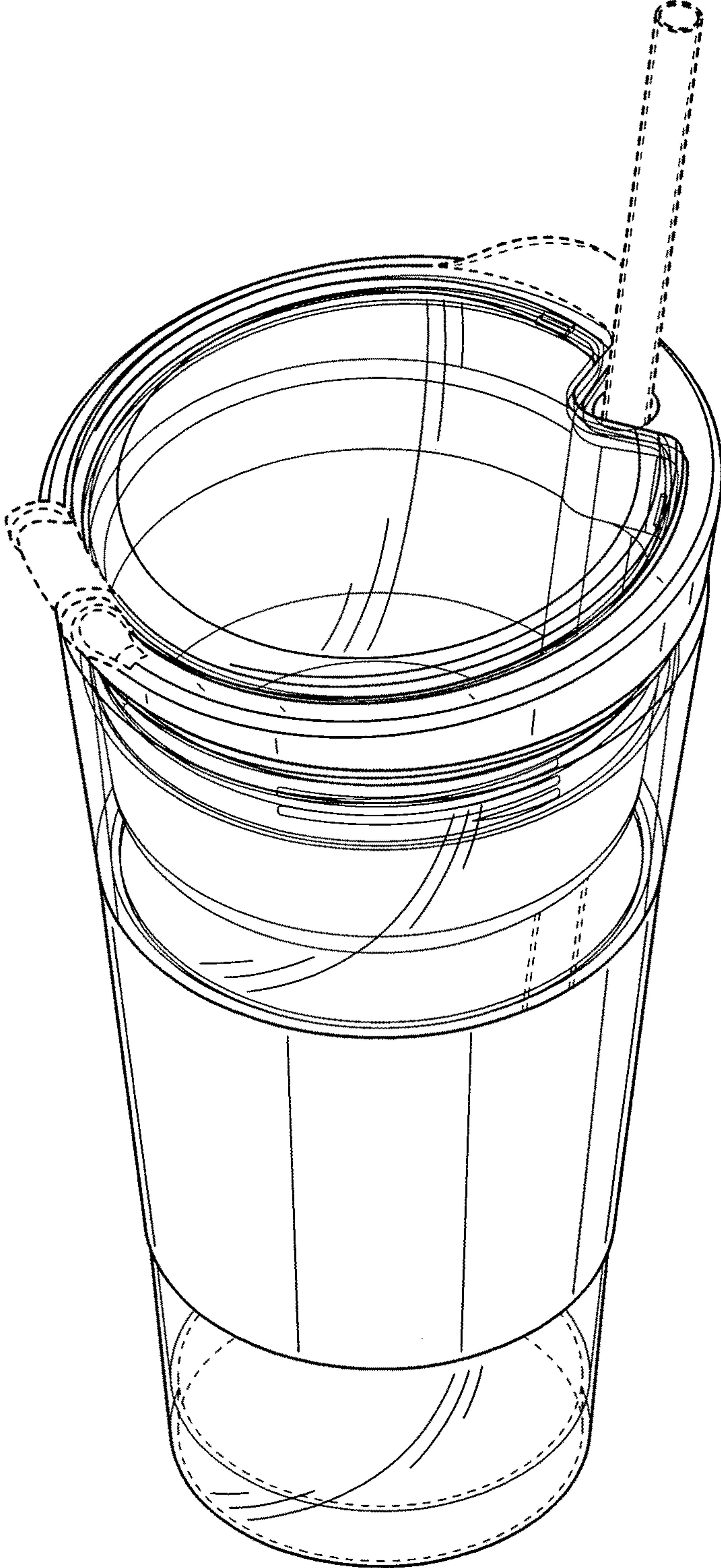


FIG. 1

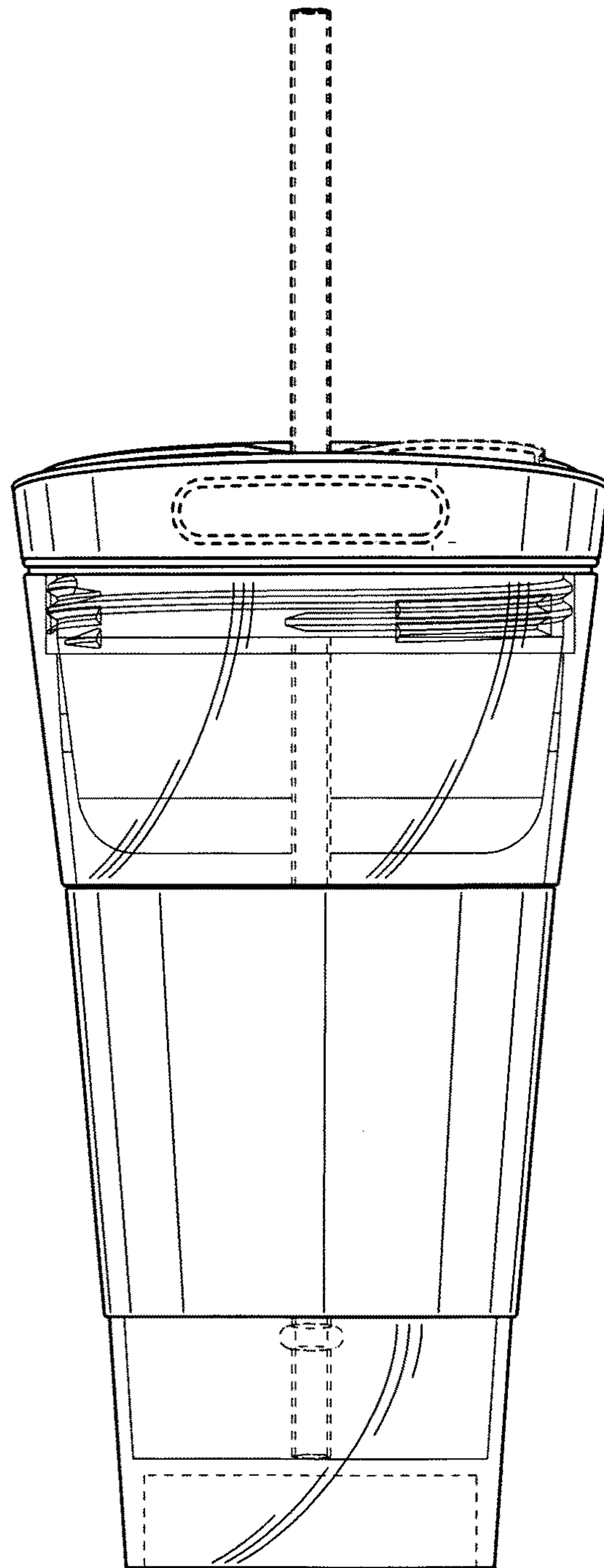


FIG. 2

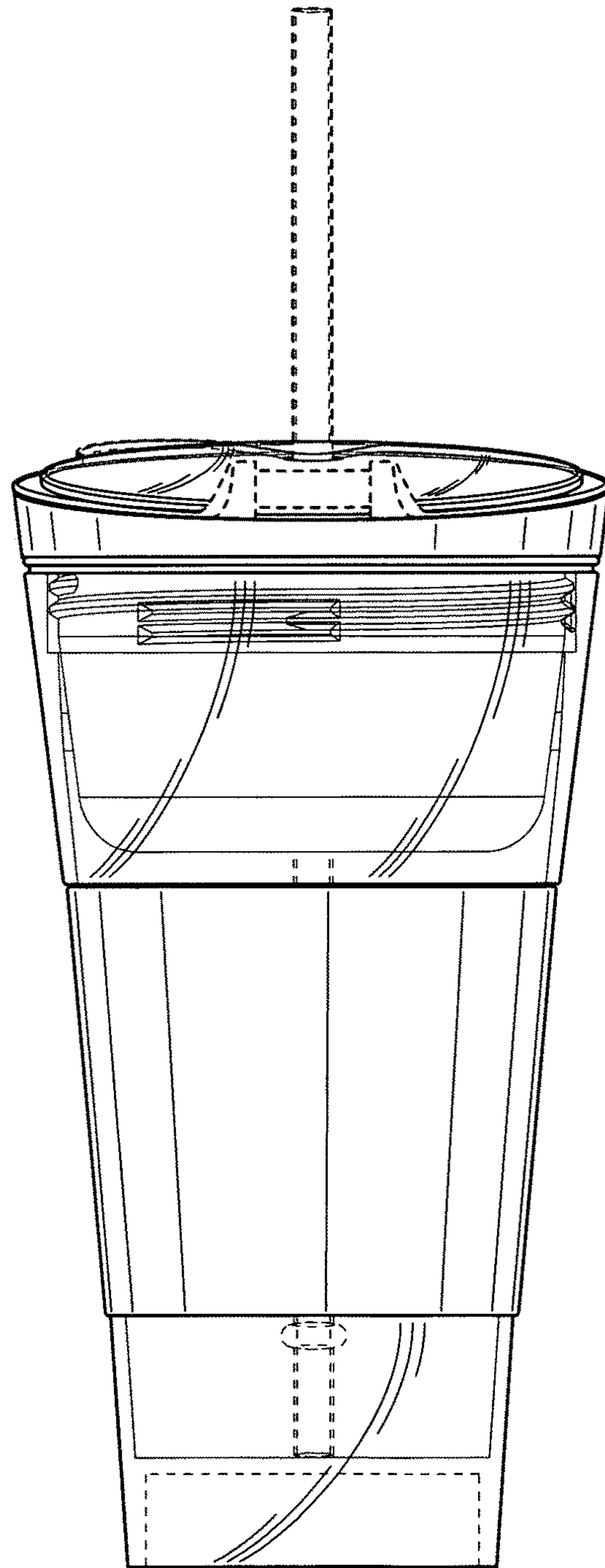


FIG. 3

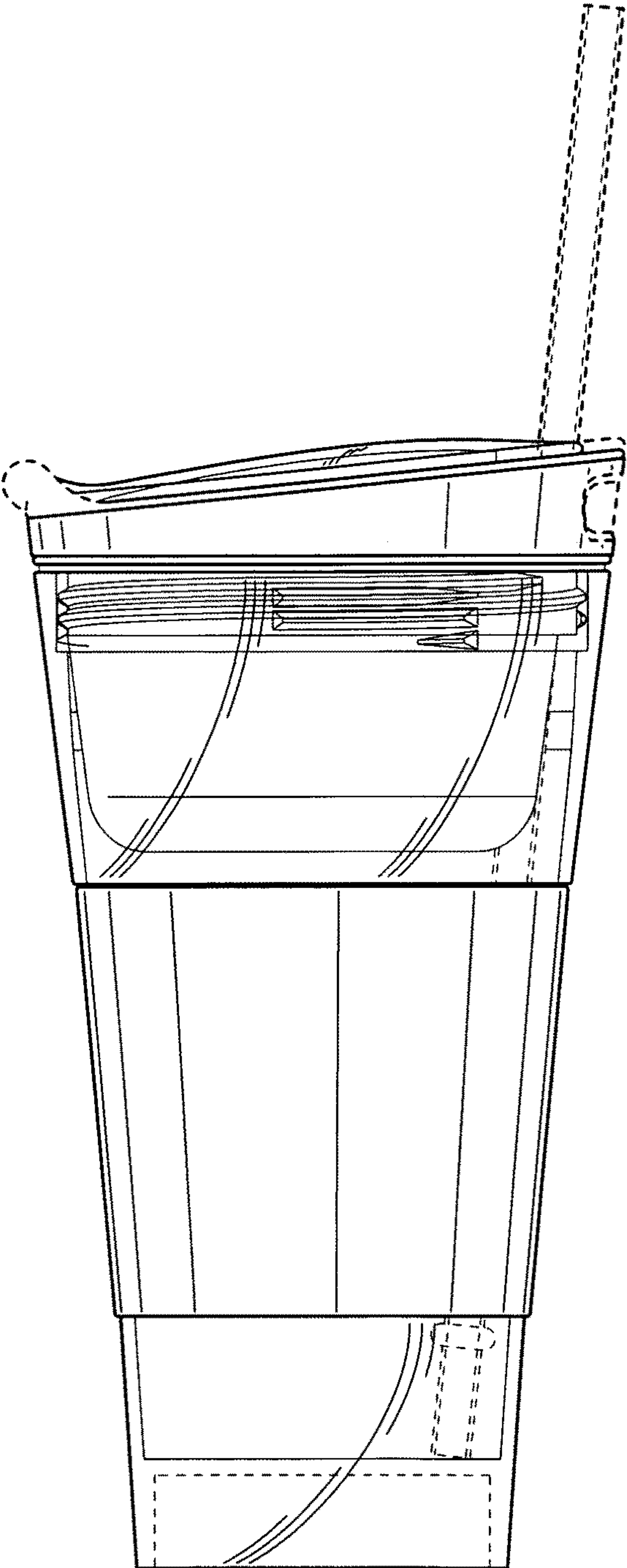


FIG. 4

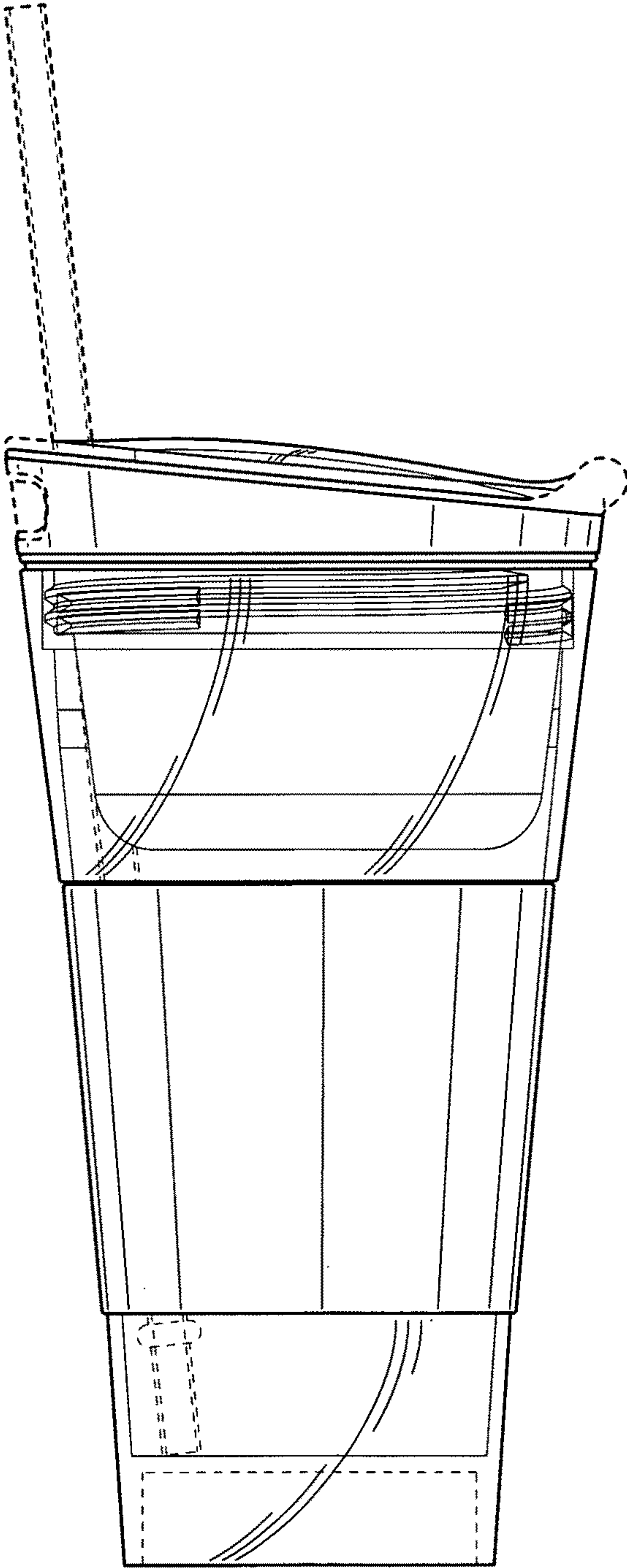


FIG. 5

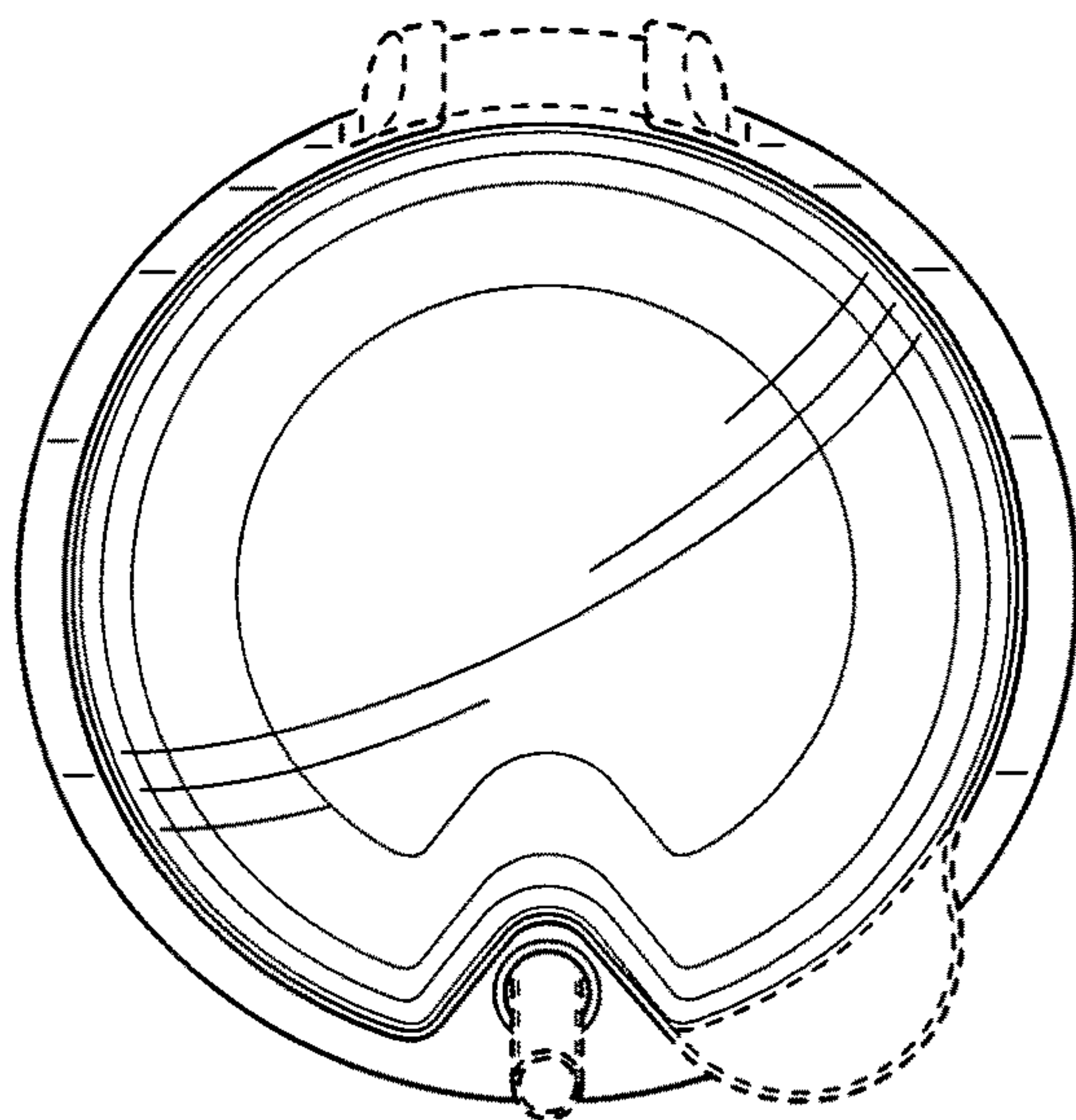


FIG. 6

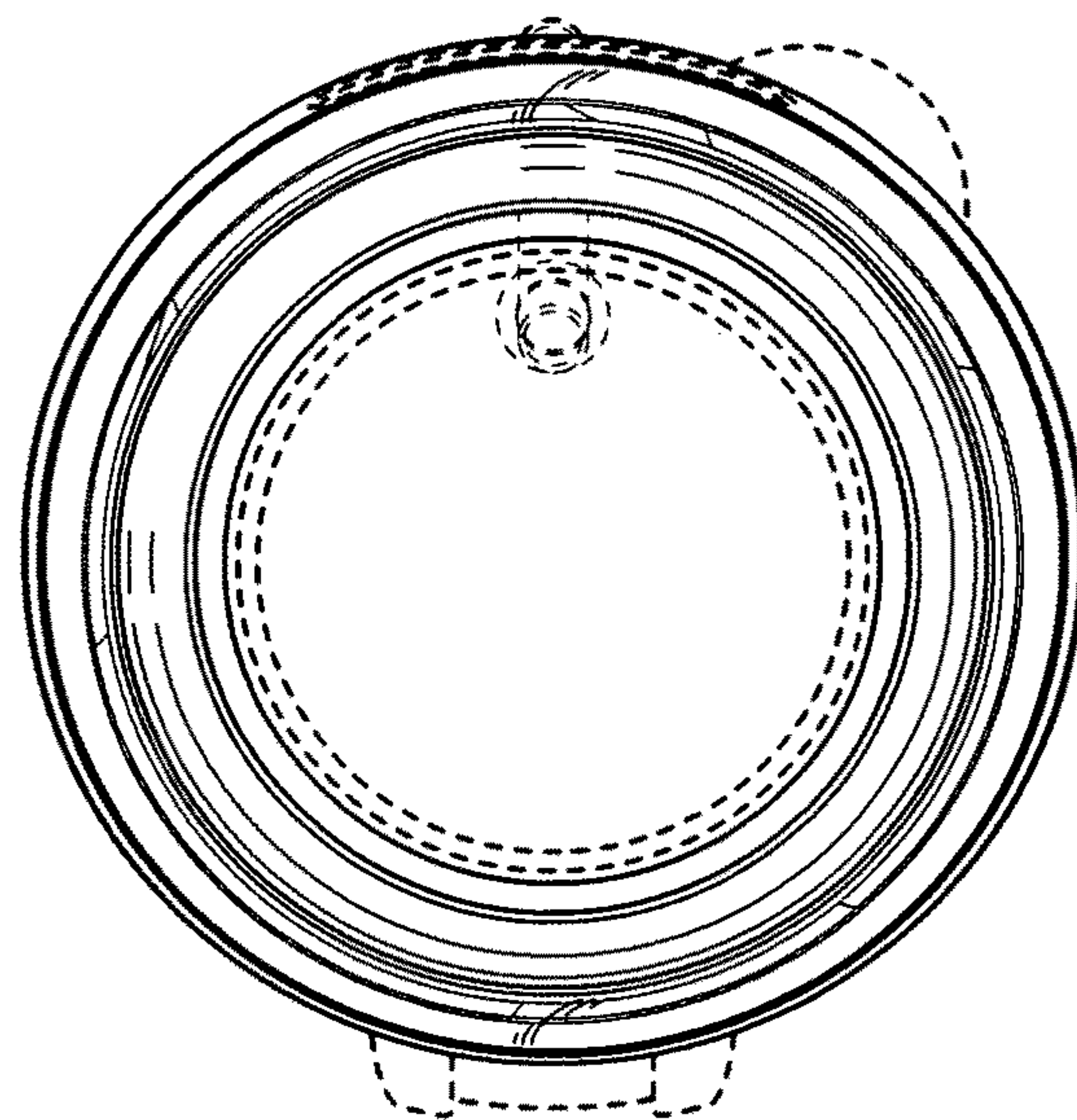


FIG. 7

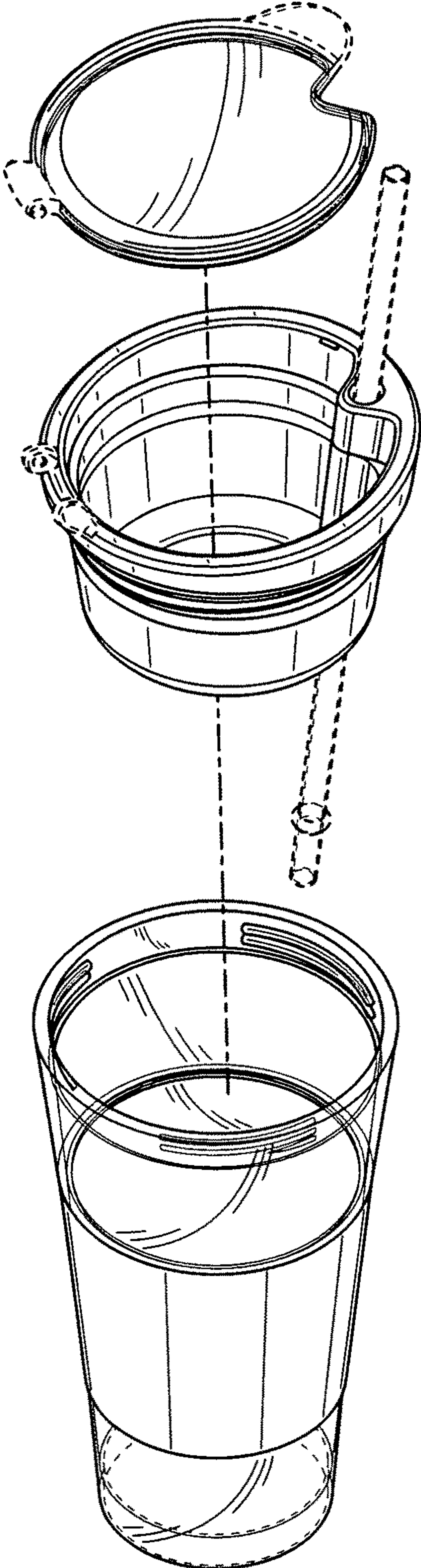


FIG. 8