



US00D755012S

(12) **United States Design Patent**
Zemel et al.

(10) **Patent No.:** **US D755,012 S**
(45) **Date of Patent:** **** May 3, 2016**

(54) **FRYER BASKET**

(71) Applicant: **BLUE RHINO GLOBAL SOURCING, INC.**, Liberty, MO (US)

(72) Inventors: **Marc Zemel**, Melville, NY (US); **Adam Schillen**, Dix Hills, NY (US)

(73) Assignee: **BLUE RHINO GLOBAL SOURCING, INC.**, Liberty, MO (US)

(**) Term: **14 Years**

(21) Appl. No.: **29/515,361**

(22) Filed: **Jan. 22, 2015**

(51) **LOC (10) Cl.** **07-02**

(52) **U.S. Cl.**

USPC **D7/409**; D7/354; D7/356

(58) **Field of Classification Search**

USPC D7/323, 332, 335-337, 354-355, D7/359-364, 387-388, 402, 407-409, 667

CPC A21B 2/00; A21B 3/00; A21B 3/13; A21B 3/15; A21B 5/00; A21B 5/02; A23N 12/06; A23N 12/08; A23N 12/10; A45C 3/06; A47J 27/04; A47J 36/22; A47J 37/00; A47J 37/04; A47J 37/041; A47J 37/042; A47J 37/06; A47J 37/0688; A47J 37/0694; A47J 37/07; A47J 37/0704; A47J 37/10; A47J 37/1204; A47J 37/1209; A47J 37/1219; A47J 43/24; A47J 47/20; A47J 2037/00; A47J 2037/06; A47J 2037/0611; A47J 2037/07; A47J 2037/0786; A47J 2037/0795; B65D 25/32; F24C 15/10; F24C 15/12; F24C 15/14; F24C 15/16; F24C 15/164; F24C 15/18

See application file for complete search history.

(56) **References Cited**

U.S. PATENT DOCUMENTS

2,573,770	A *	11/1951	Meadow	A45C 3/06
					150/107
2,732,096	A *	1/1956	Siciliano	B65D 25/32
					217/125
RE24,581	E *	12/1958	Escout	A47J 43/24
					220/489
4,052,934	A *	10/1977	Shinman	A47J 36/22
					210/474
D249,621	S *	9/1978	Ondrasik, II	D7/667
4,951,558	A *	8/1990	Figliuzzi	A47J 37/1219
					99/336
5,826,494	A *	10/1998	Wang	A47J 37/1204
					99/340
6,103,291	A *	8/2000	Fernandez Tapia	A47J 27/04
					220/912
6,269,737	B1 *	8/2001	Rigney	A47J 27/04
					126/369
6,941,857	B2 *	9/2005	McLemore	A47F 37/1209
					99/403
8,067,716	B1 *	11/2011	Lloyd	A47J 37/1209
					219/433
D653,073	S *	1/2012	Difante	D7/354
D733,495	S *	7/2015	Tyson	D7/354

* cited by examiner

Primary Examiner — Ricky Pham

(74) *Attorney, Agent, or Firm* — Carter, DeLuca, Farrell & Schmidt, LLP

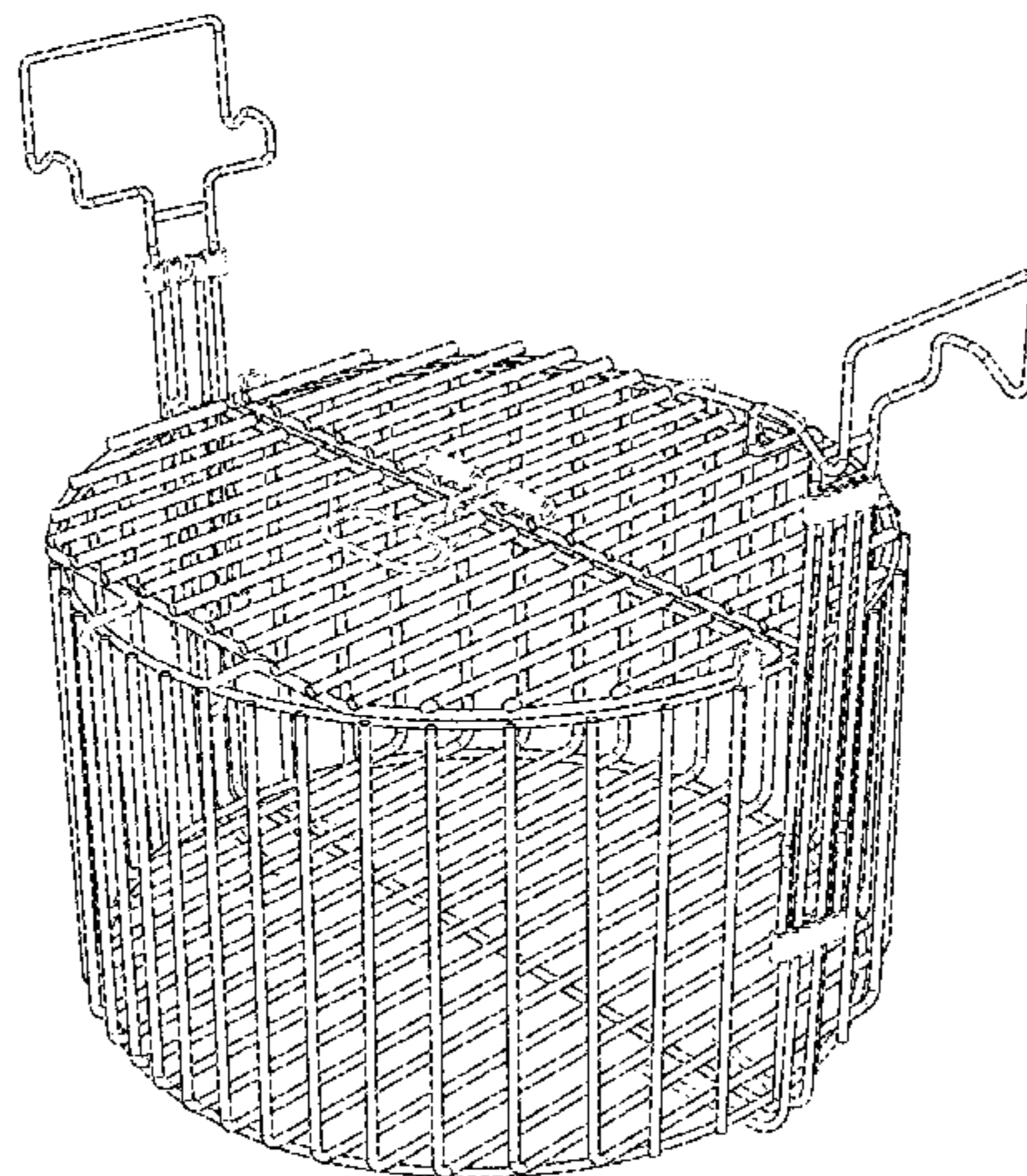
(57) **CLAIM**

The ornamental design for a fryer basket, as shown and described.

DESCRIPTION

FIG. 1 is a perspective view of a fryer basket in accordance with the present design;
FIG. 2 is a right side elevational view thereof, the left side elevational view being a mirror image thereof;
FIG. 3 is a front side elevational view thereof, the rear side elevational view being a mirror image thereof;
FIG. 4 is a top plan view thereof; and,
FIG. 5 is a bottom plan view thereof.
The broken lines shown are included for the purpose of illustrating a portion of the fryer basket that forms no part of the claimed design.

1 Claim, 5 Drawing Sheets



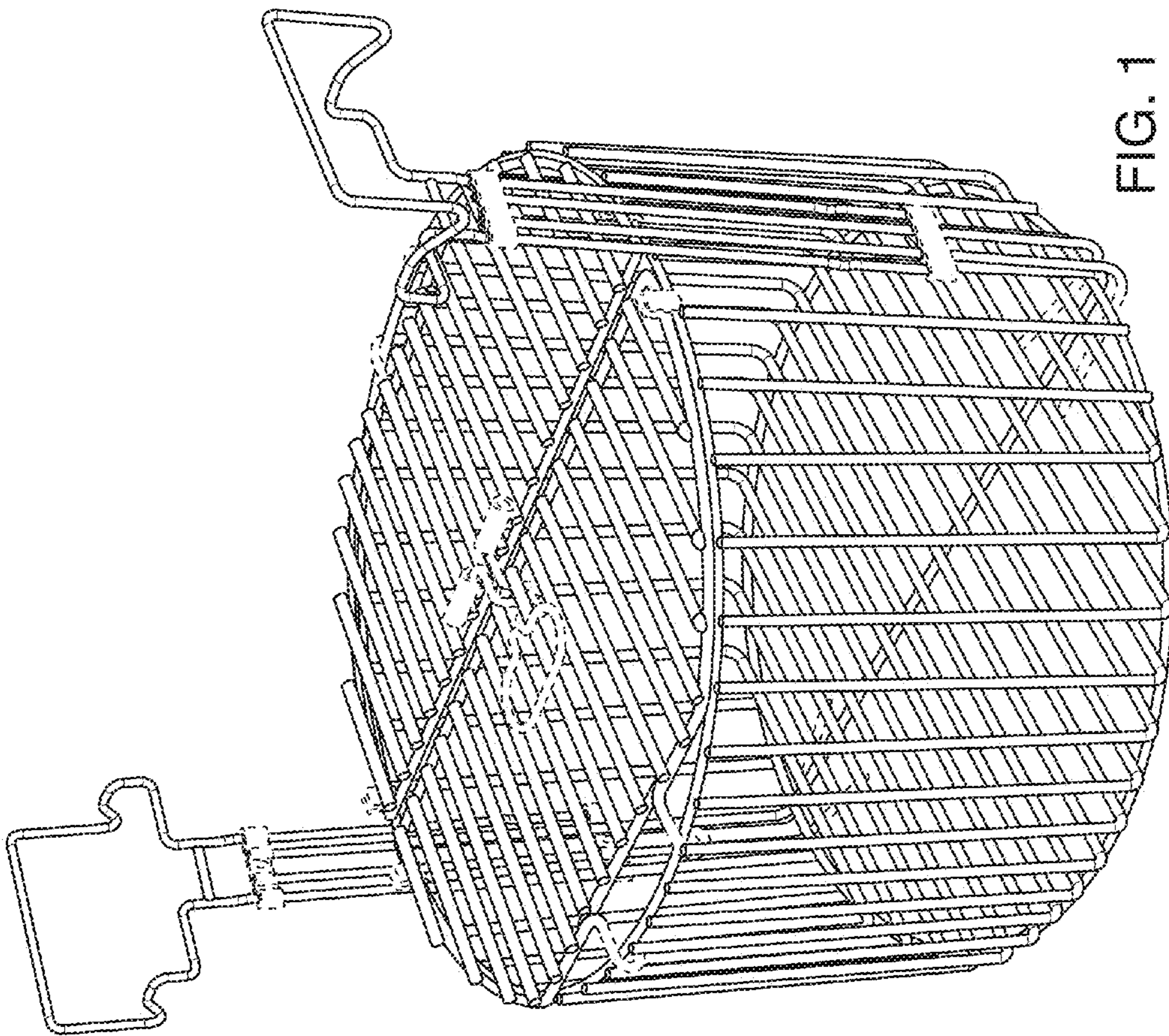


FIG. 1

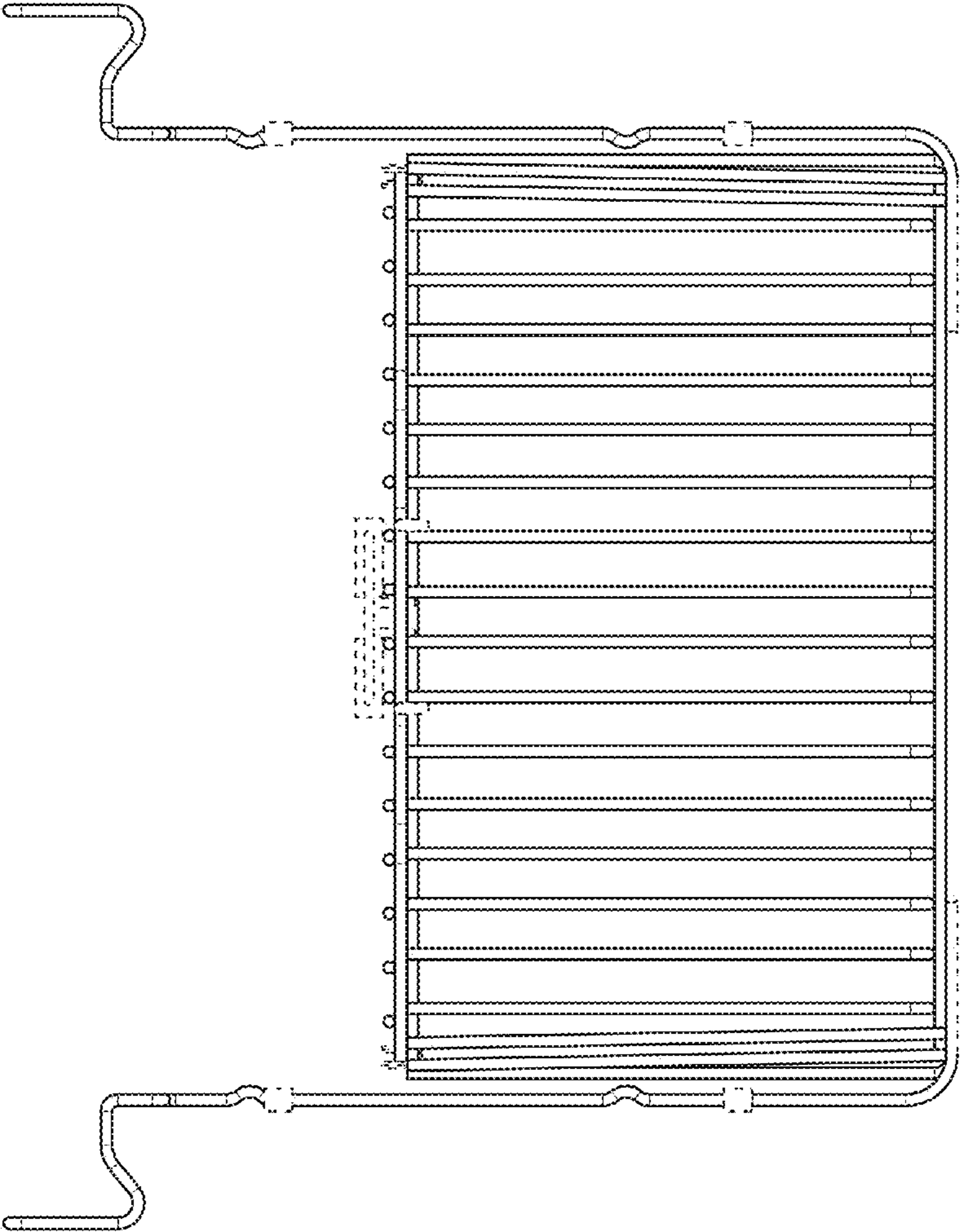


FIG. 2

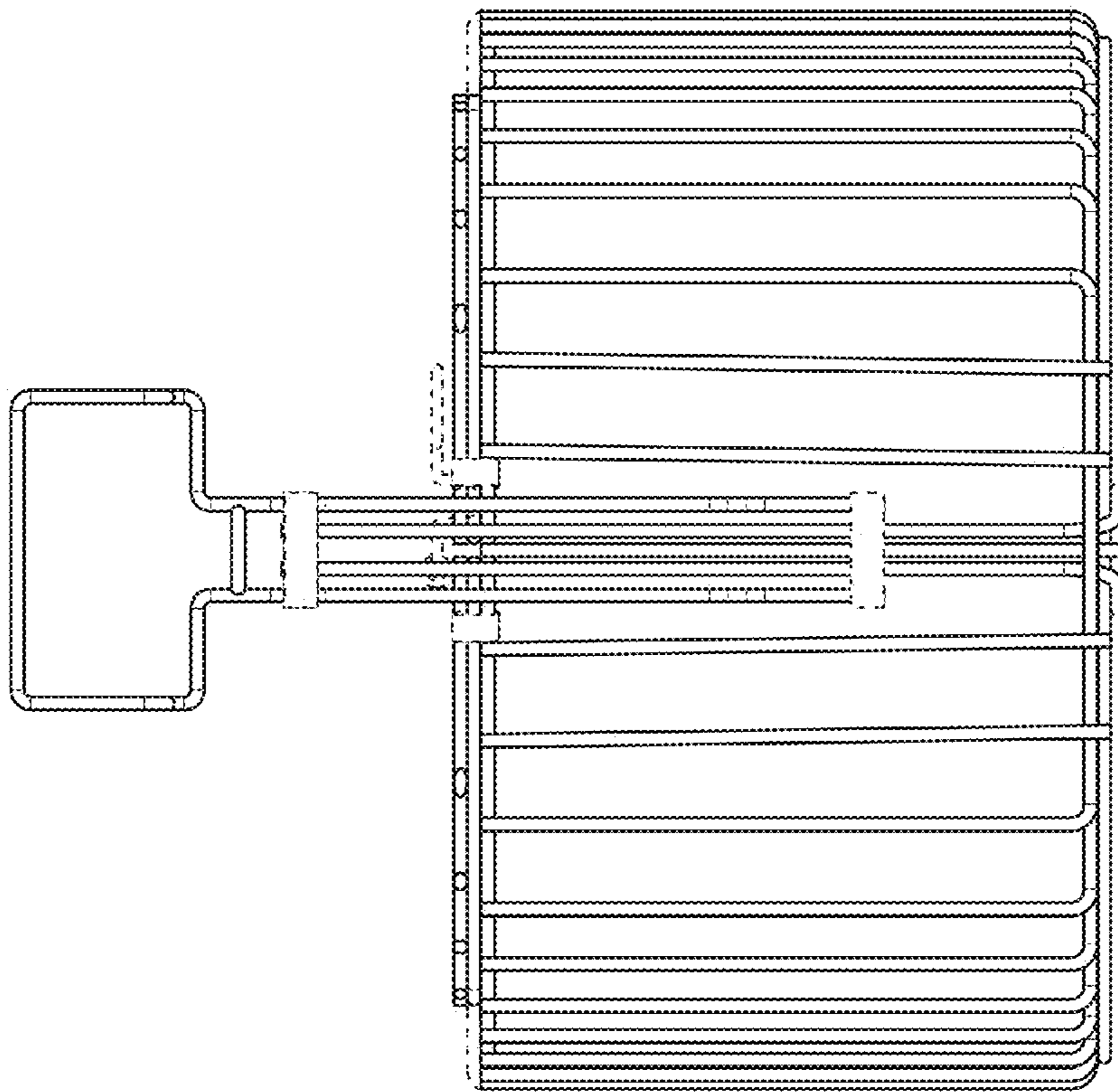


FIG. 3

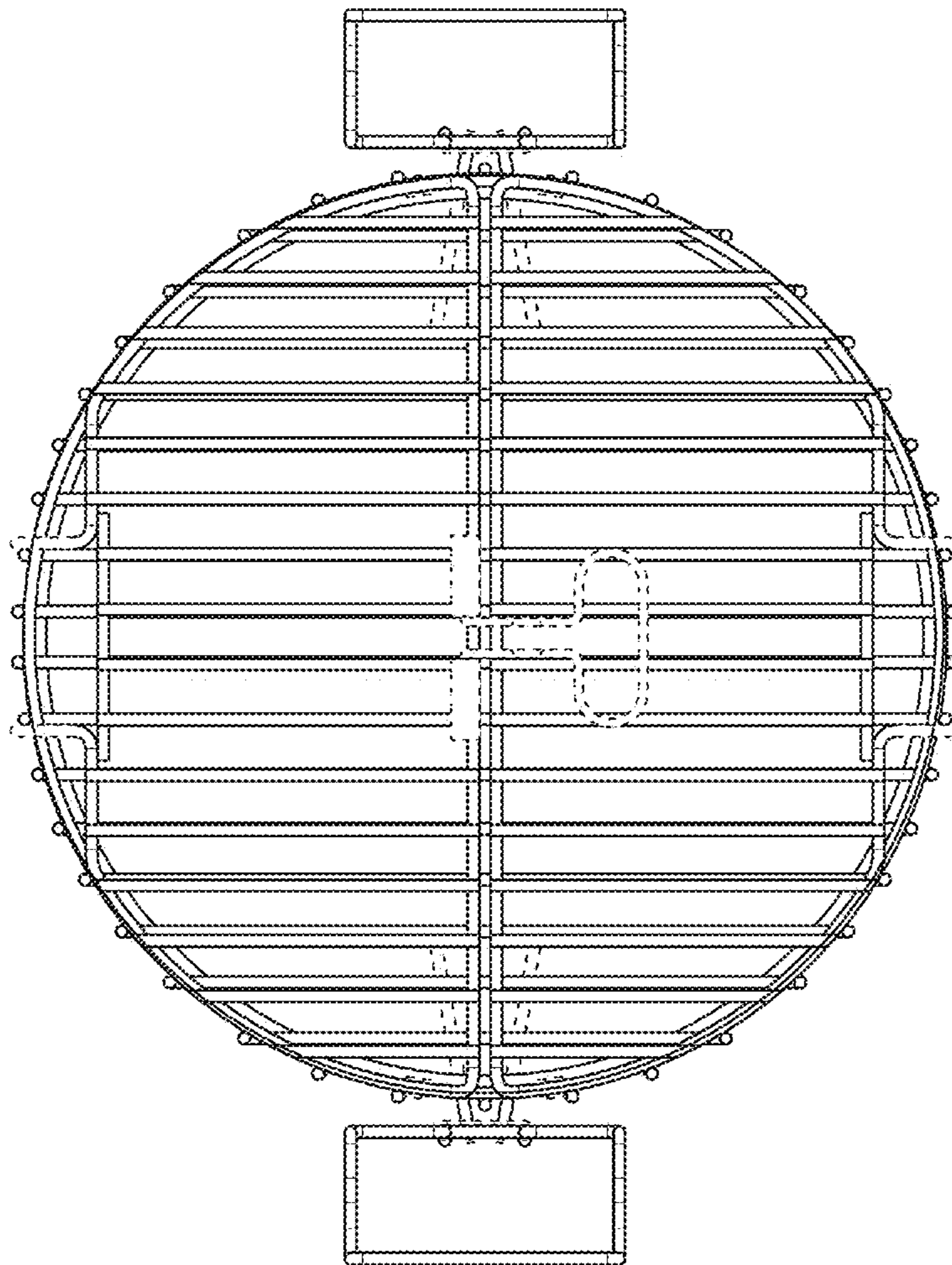


FIG. 4

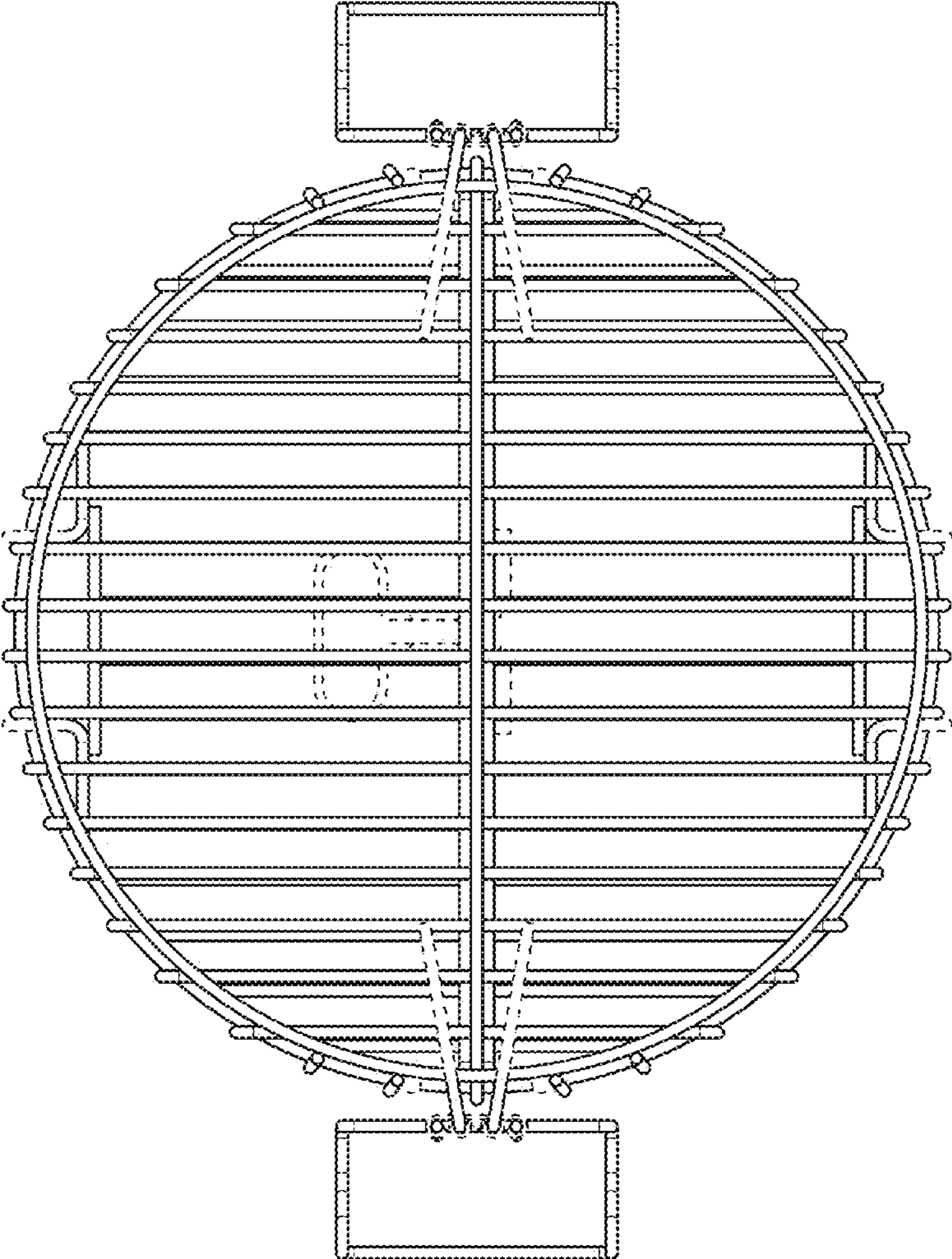


FIG. 5