



US00D755011S

(12) **United States Design Patent**  
**West**

(10) **Patent No.:** **US D755,011 S**  
(45) **Date of Patent:** **\*\* May 3, 2016**

(54) **GRILLING RACK**

(71) Applicant: **James West**, Florissant, MO (US)

(72) Inventor: **James West**, Florissant, MO (US)

(\*\*) Term: **14 Years**

(21) Appl. No.: **29/514,183**

(22) Filed: **Jan. 9, 2015**

(51) **LOC (10) Cl.** ..... **07-02**

(52) **U.S. Cl.**  
USPC ..... **D7/409; D7/354**

(58) **Field of Classification Search**  
USPC ..... D7/323, 332, 335-337, 354-355,  
D7/359-364, 387-388, 402, 407-409,  
D7/683; D32/58  
CPC ..... A21B 2/00; A21B 3/00; A21B 3/13;  
A21B 3/15; A21B 5/00; A21B 5/02; A23N  
12/06; A23N 12/08; A23N 12/10; A47J  
36/027; A47J 37/00; A47J 37/04; A47J  
37/041; A47J 37/042; A47J 37/049; A47J  
37/06; A47J 37/0688; A47J 37/0694; A47J  
37/07; A47J 37/0704; A47J 37/10; A47J  
37/106; A47J 37/108; A47J 43/18; A47J  
47/20; A47J 2037/00; A47J 2037/06; A47J  
2037/0611; A47J 2037/07; A47J 2037/0786;  
A47J 2037/0795; F24C 15/10; F24C 15/12;  
F24C 15/14; F24C 15/16; F24C 15/164;  
F24C 15/18

See application file for complete search history.

D162,101 S \* 2/1951 Wells ..... D7/683  
2,751,951 A 6/1956 Strathaus  
3,379,118 A \* 4/1968 Perez ..... A47J 37/0694  
165/104.21  
4,887,523 A 12/1989 Murphy et al.  
4,924,768 A 5/1990 Jay  
5,552,585 A \* 9/1996 Fleck ..... A47J 36/027  
219/732  
5,685,217 A 11/1997 Kreitzer  
5,913,965 A \* 6/1999 Gargano ..... A47J 37/106  
99/346  
6,119,588 A \* 9/2000 Tiemann ..... A47J 43/18  
211/181.1  
D448,964 S \* 10/2001 Allan ..... D7/323  
D488,603 S \* 4/2004 Bardenhagen-Shuster .... D32/58  
D506,347 S \* 6/2005 Stoupa ..... D7/323  
D543,802 S 6/2007 Fuchs  
7,565,863 B2 7/2009 Tschetter et al.  
7,942,278 B2 \* 5/2011 Martin ..... A47J 43/18  
211/125  
2003/0051607 A1 \* 3/2003 Cassell ..... A47J 37/049  
99/419

**FOREIGN PATENT DOCUMENTS**

WO WO02060303 8/2002

\* cited by examiner

*Primary Examiner* — Ricky Pham

(57) **CLAIM**

The ornamental design for a grilling rack, as shown and described.

**DESCRIPTION**

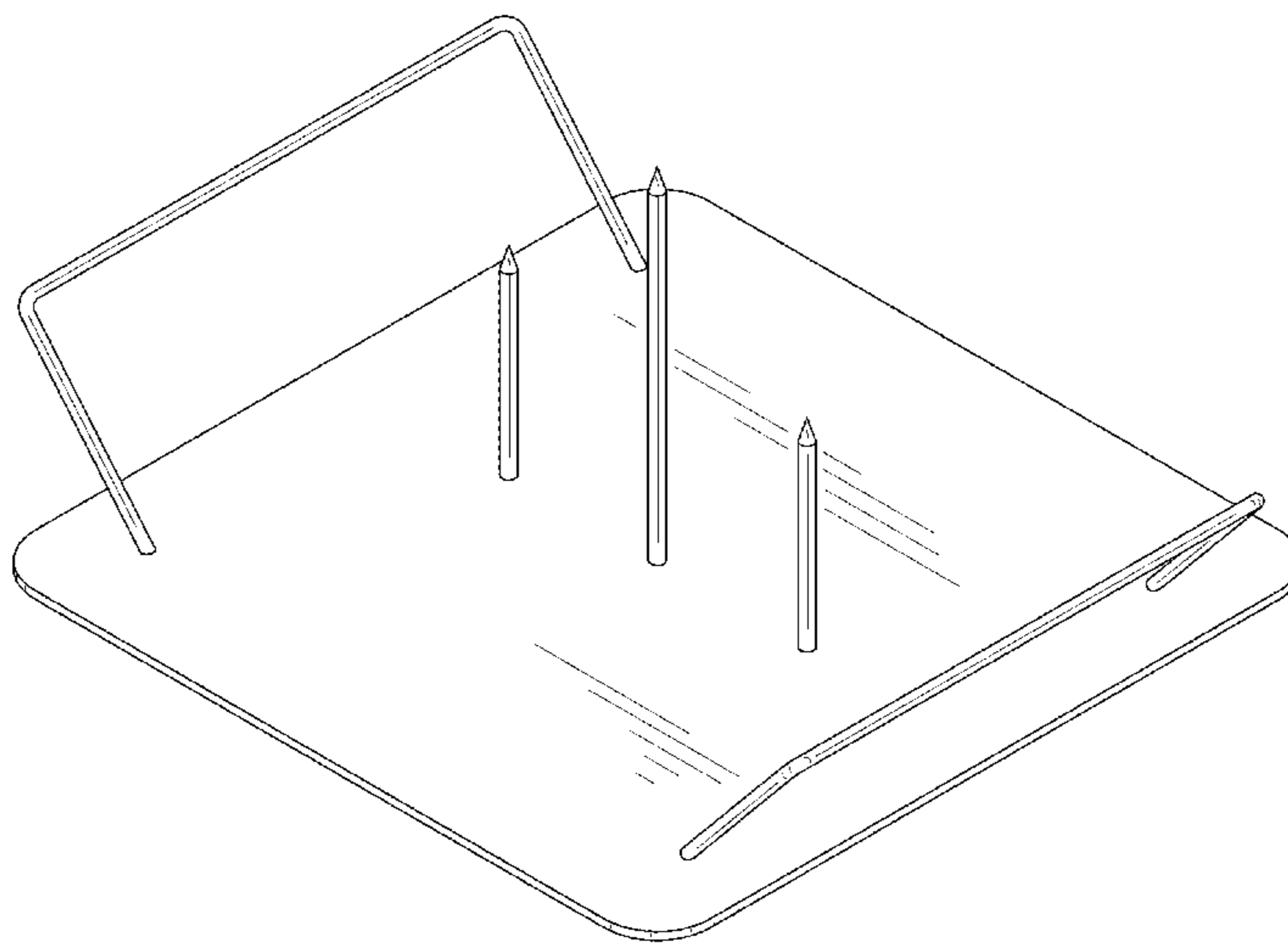
FIG. 1 is a front view of a grilling rack showing my new design, a back view being identical;  
FIG. 2 is a left side view of the grilling rack, a right side view being identical;  
FIG. 3 is a top view of the grilling rack;  
FIG. 4 is a bottom view of the grilling rack; and,  
FIG. 5 is a top front right side perspective view of the grilling rack, a top front left side perspective view being identical.

**1 Claim, 5 Drawing Sheets**

(56) **References Cited**

**U.S. PATENT DOCUMENTS**

691,833 A \* 1/1902 Williamson ..... A47J 37/0694  
248/176.1  
1,339,625 A 5/1920 Holloway  
1,890,907 A \* 12/1932 Hoover ..... A47J 37/108  
165/185  
1,969,601 A \* 8/1934 Foch ..... A47J 37/0694  
211/59.1



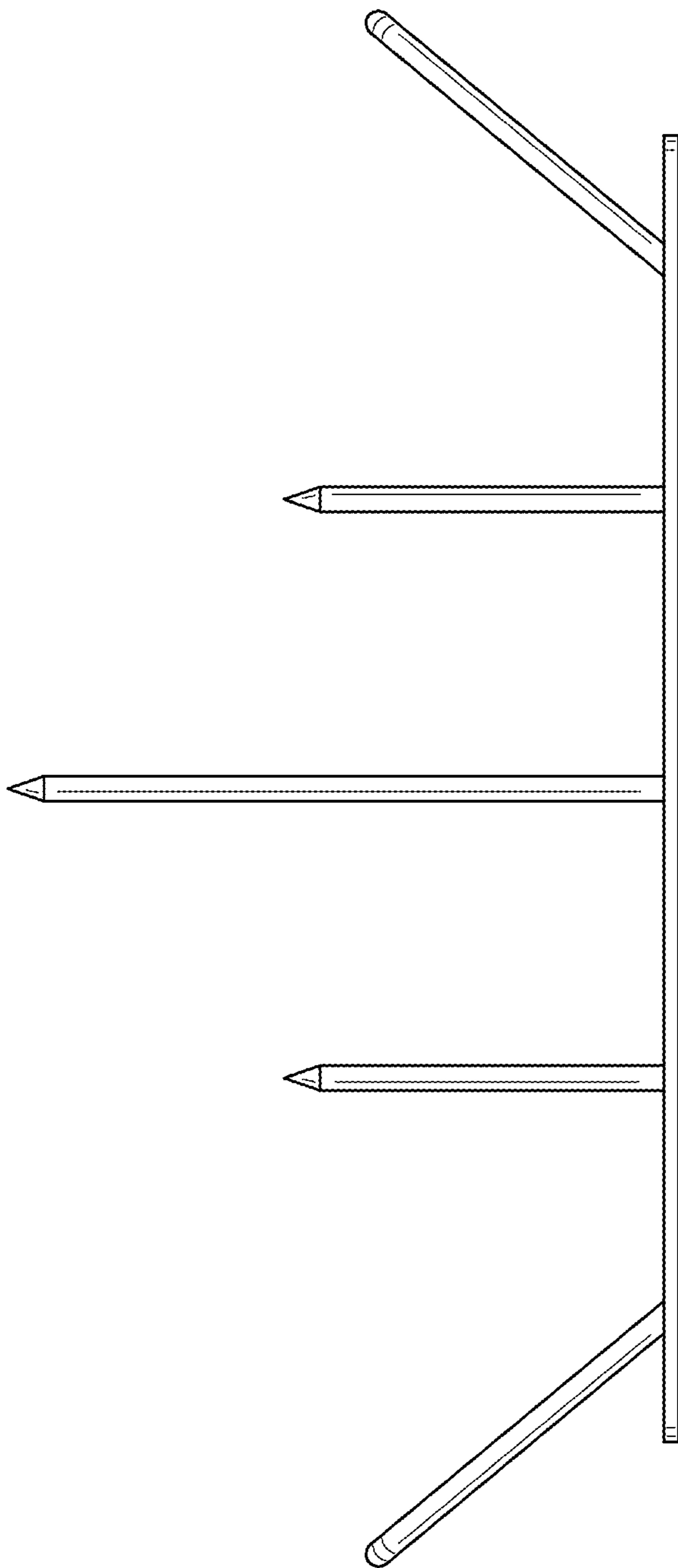


FIG. 1

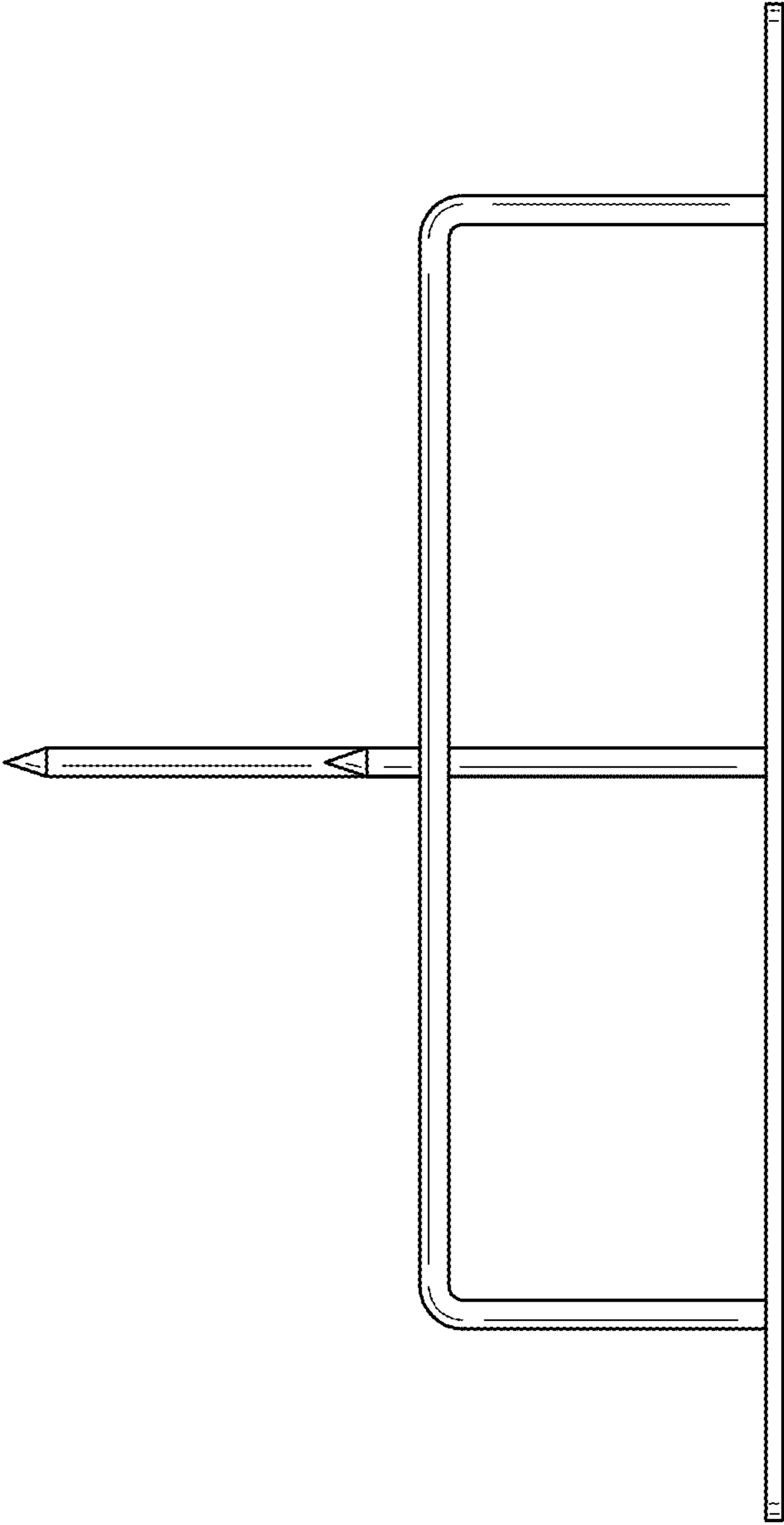


FIG. 2

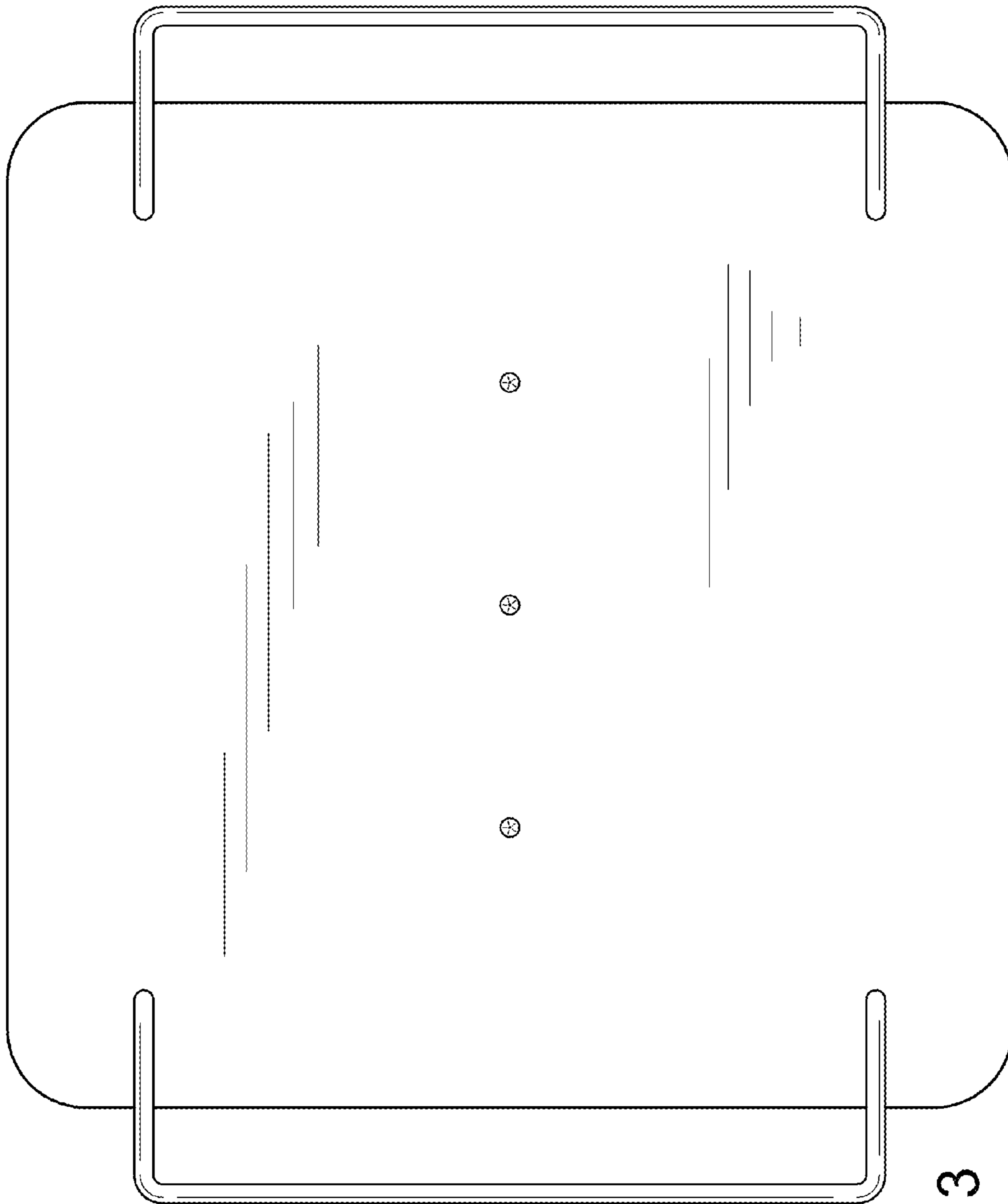


FIG. 3

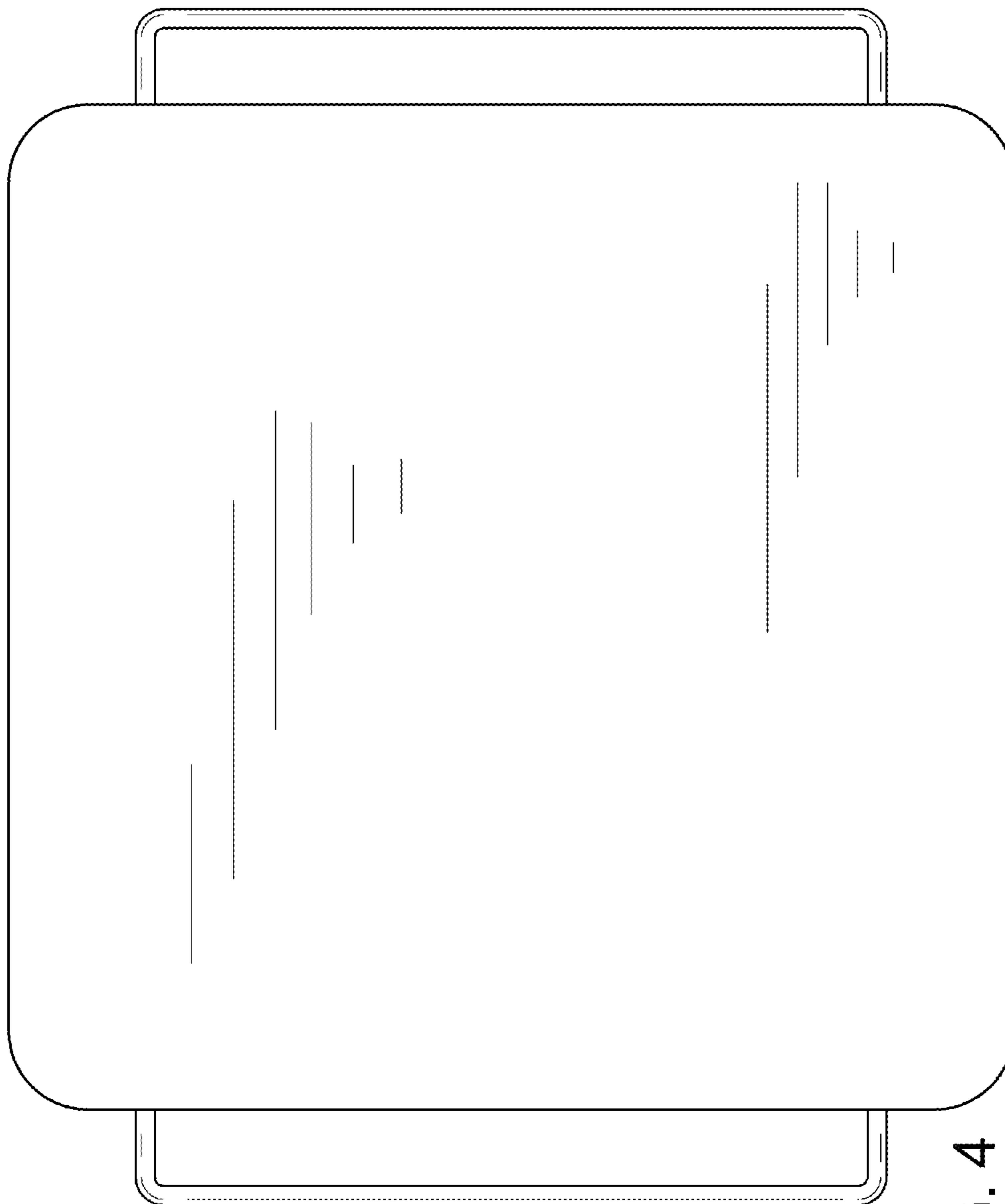


FIG. 4

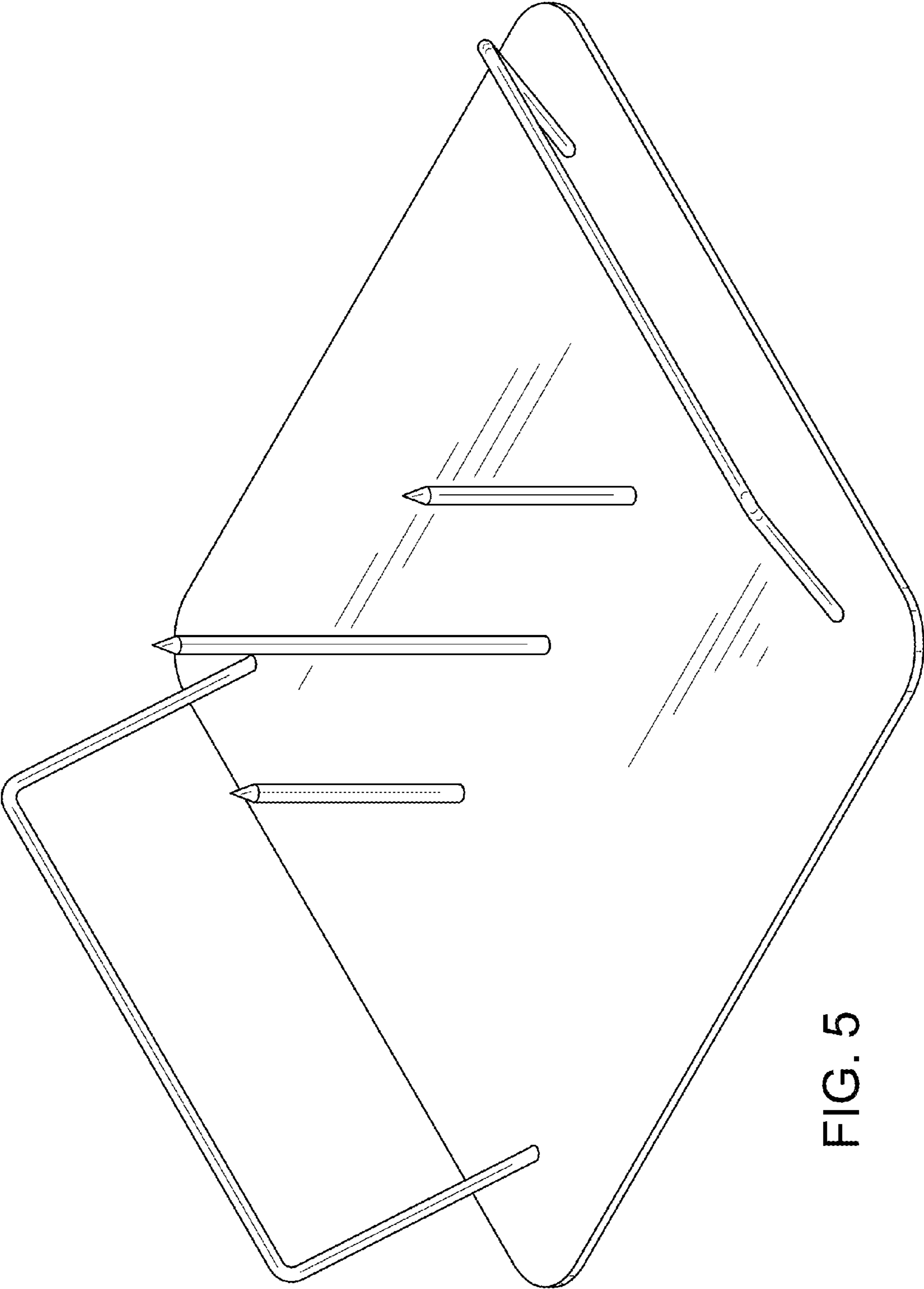


FIG. 5