



US00D755007S

(12) **United States Design Patent**
Lee et al.

(10) **Patent No.:** **US D755,007 S**
(45) **Date of Patent:** **** May 3, 2016**

(54) **DOOR FOR OVEN**

(71) Applicant: **Samsung Electronics Co., Ltd.**,
Suwon-si, Gyeonggi-do (KR)

(72) Inventors: **Jae-Moon Lee**, Seoul (KR); **Tai-Kyung Kim**, Seoul (KR); **Binna Kim**, Seoul (KR); **Jae-Jun Kim**, Seoul (KR); **Hyeong-Ju Seo**, Seoul (KR); **Yun-Ho Yang**, Yongin-si (KR)

(73) Assignee: **SAMSUNG ELECTRONICS CO., LTD.** (KR)

(**) Term: **14 Years**

(21) Appl. No.: **29/506,835**

(22) Filed: **Oct. 21, 2014**

(30) **Foreign Application Priority Data**

Apr. 21, 2014 (KR) 30-2014-0020105

(51) **LOC (10) Cl.** **07-02**

(52) **U.S. Cl.**
USPC **D7/405**

(58) **Field of Classification Search**
USPC D7/332-351, 362-367, 402-409;
D23/415
CPC F24C 15/10; F24C 7/083; F24C 15/107;
F24C 3/08-3/12; F24C 15/023; F24C 15/322;
F24C 15/325; F24C 15/327; F24C 7/08;
F24C 15/048; H05B 6/062; H05B 1/0266;
F23D 14/06; F23D 2900/14062; F23D 14/105;
F23D 14/045; A47J 37/0713
See application file for complete search history.

(56) **References Cited**

U.S. PATENT DOCUMENTS

D521,317 S * 5/2006 Hessen D7/340
D564,282 S * 3/2008 Suh D7/340

D593,799 S * 6/2009 Cruver, IV D7/402
D623,889 S * 9/2010 Kim D7/340
D664,388 S * 7/2012 Park D7/348
D697,358 S * 1/2014 Kim D7/340
D704,978 S * 5/2014 Kim D7/340
D710,645 S * 8/2014 Kim D7/340
D731,844 S * 6/2015 Kim D7/340
2004/0177840 A1 * 9/2004 Brock F24C 3/087
126/39 R
2014/0251158 A1 * 9/2014 Yang F24C 15/327
99/341
2015/0027429 A1 * 1/2015 Nelson F24C 15/023
126/19 R
2015/0179042 A1 * 6/2015 Jeong F24C 3/12
340/584

* cited by examiner

Primary Examiner — Susan Bennett Hattan

Assistant Examiner — Brett Miller

(74) *Attorney, Agent, or Firm* — Cantor Colburn LLP

(57) **CLAIM**

The ornamental design for a door for oven, as shown and described.

DESCRIPTION

FIG. 1 is a perspective view of a door for oven, showing our new design;

FIG. 2 is a front view thereof;

FIG. 3 is a rear view thereof;

FIG. 4 is a side view thereof;

FIG. 5 is a another side view thereof;

FIG. 6 is a top view thereof;

FIG. 7 is a bottom view thereof;

FIG. 8 is another perspective view thereof, in an environment of use;

FIG. 9 is another perspective view thereof, in an environment of use; and,

FIG. 10 is another perspective view thereof, in an environment of use.

The broken lines are for environmental purpose only and form no part of the claimed design.

1 Claim, 8 Drawing Sheets

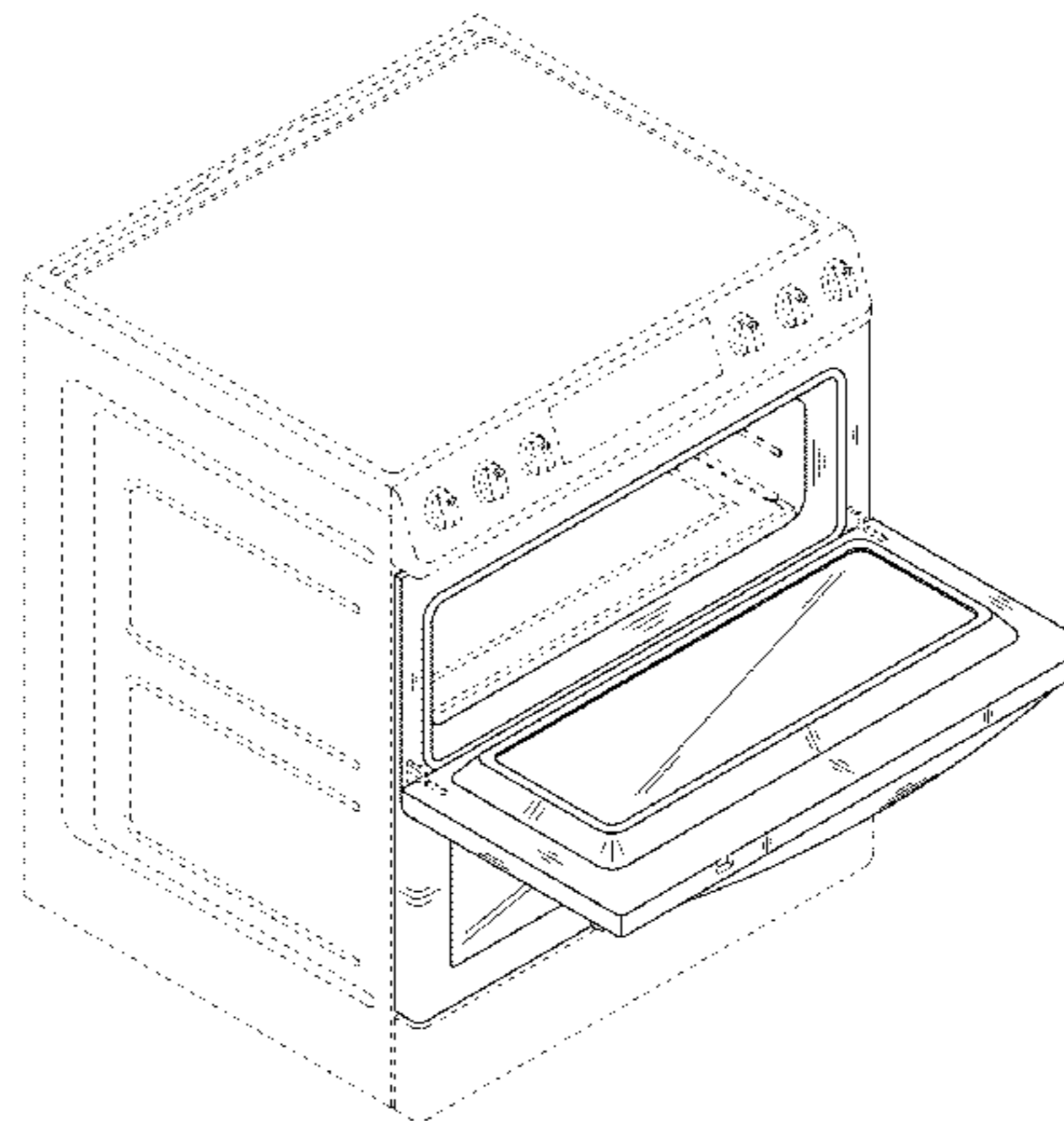
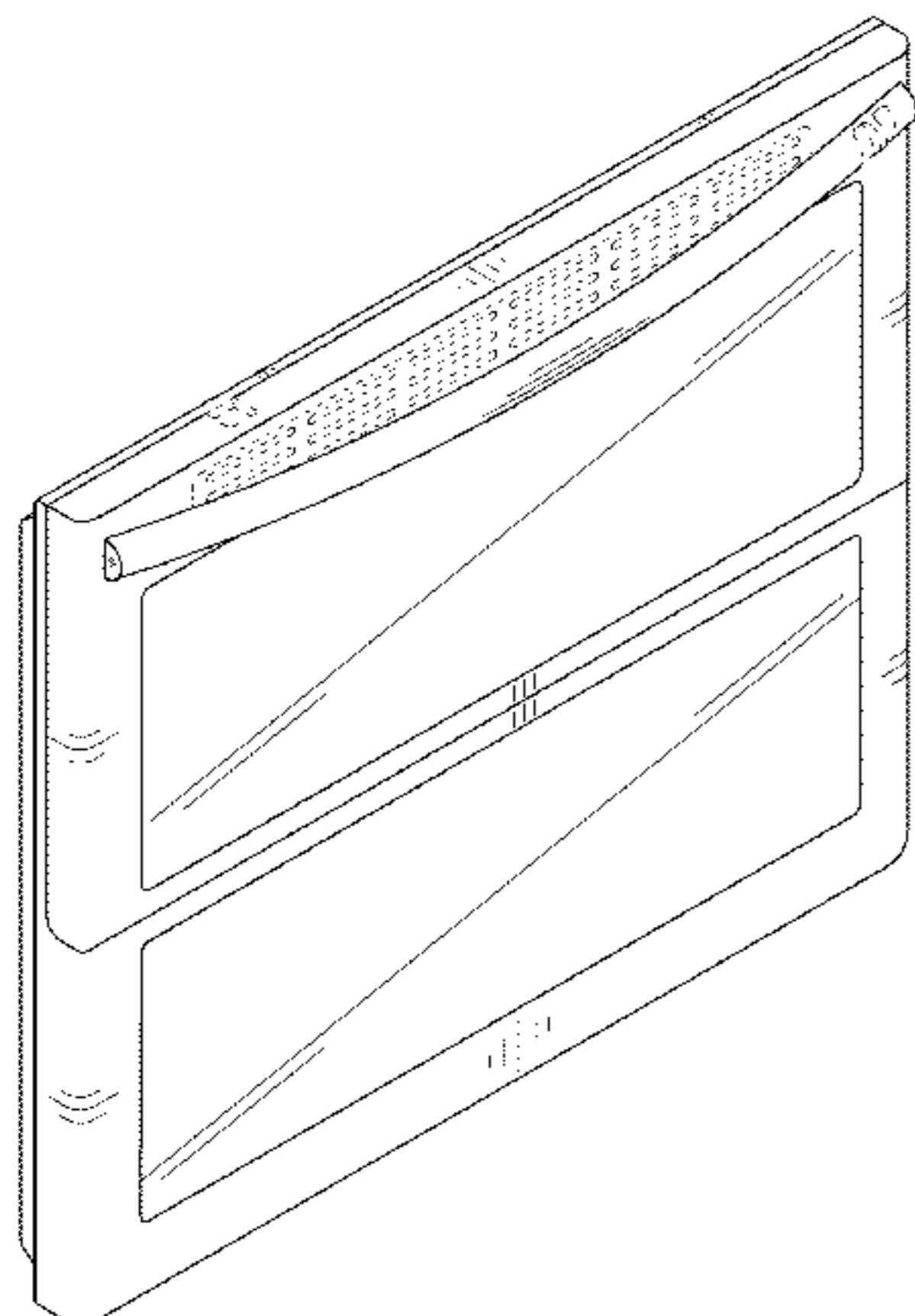


FIG. 1

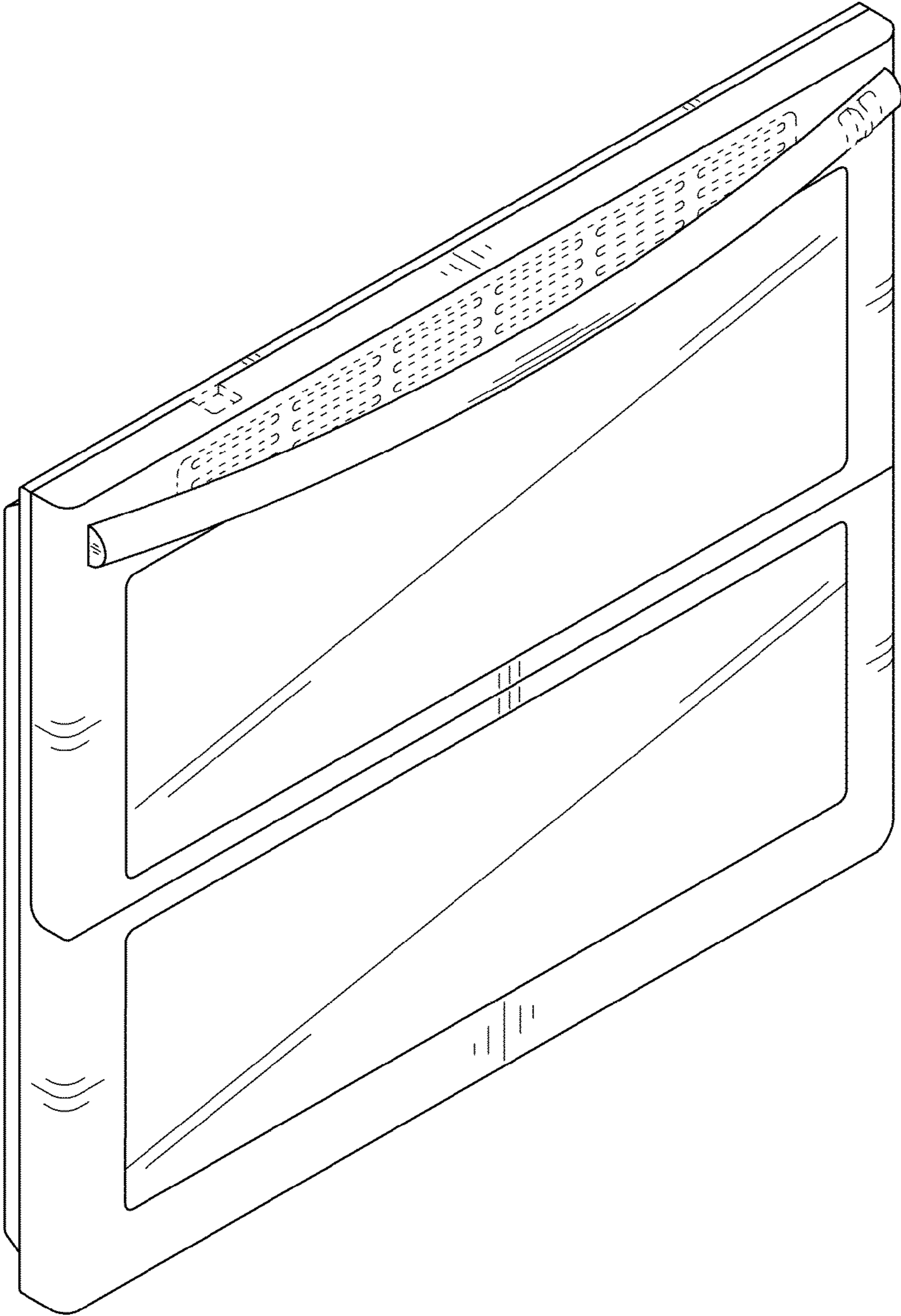


FIG. 2

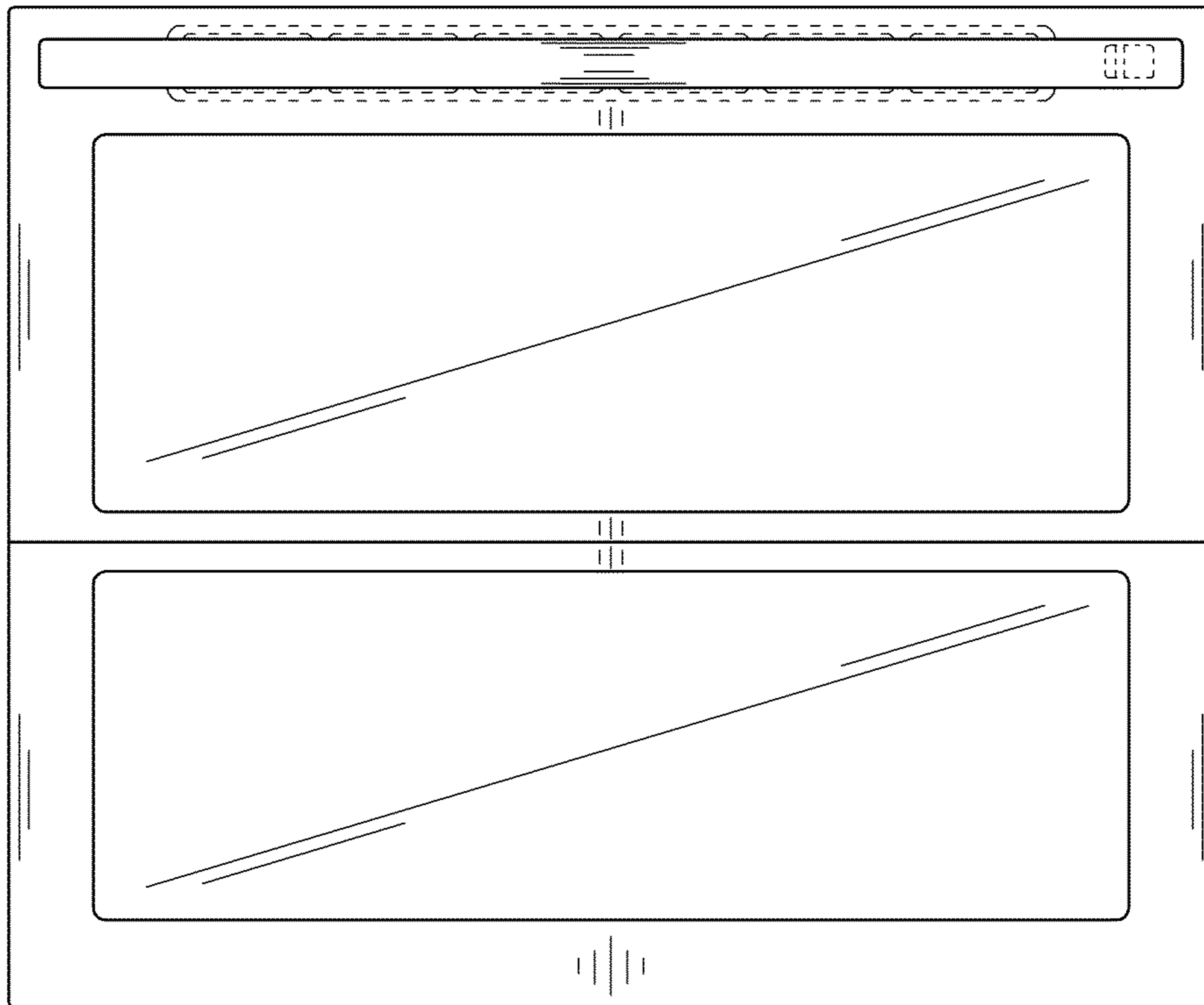


FIG. 3

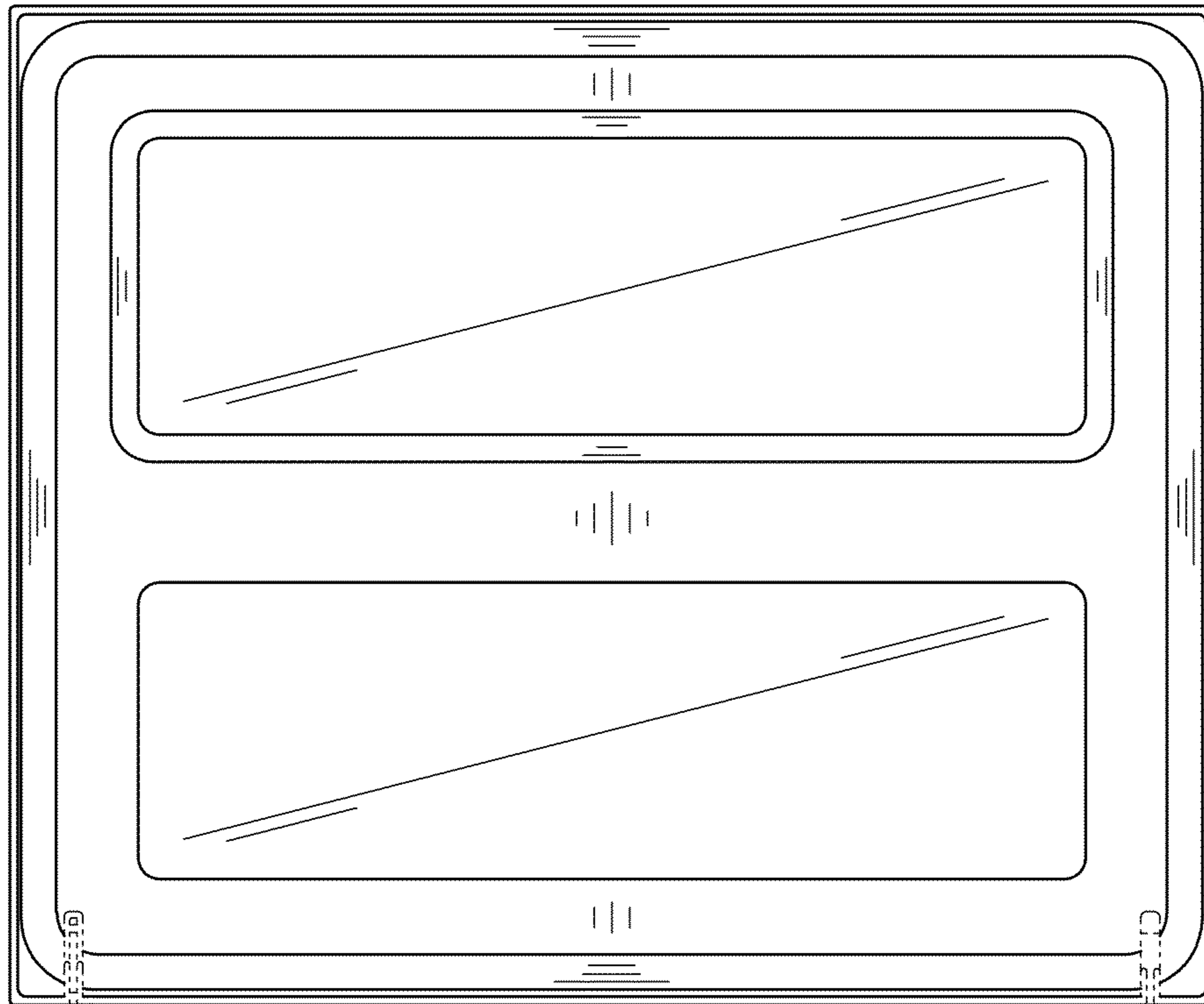


FIG. 4

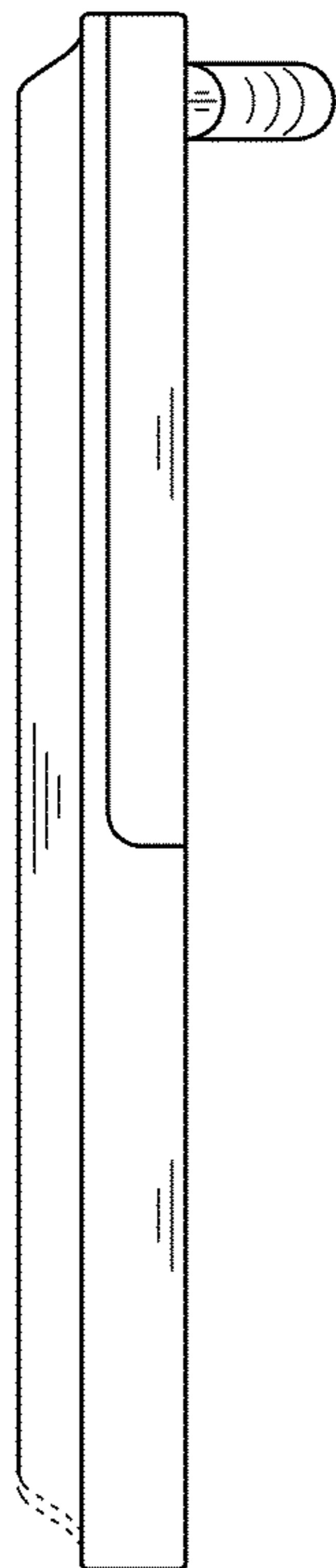


FIG. 5

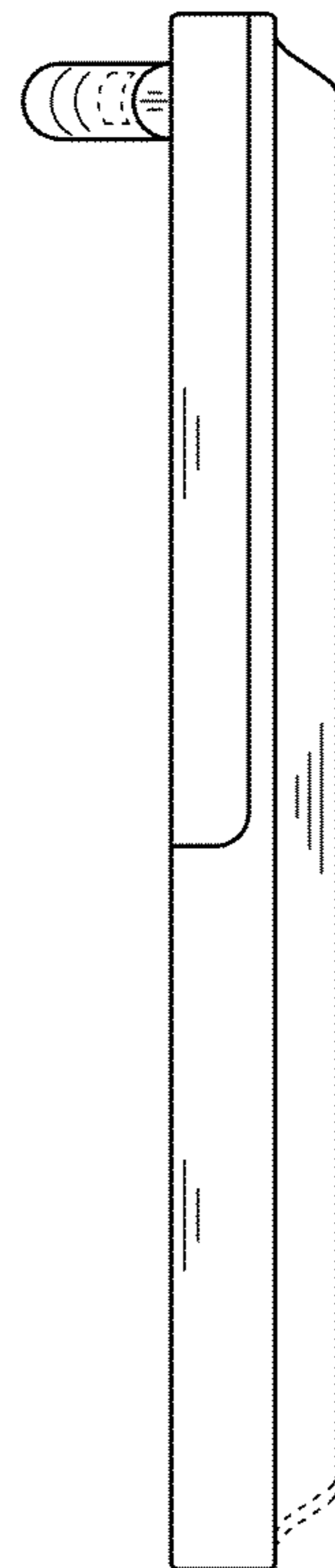


FIG. 6

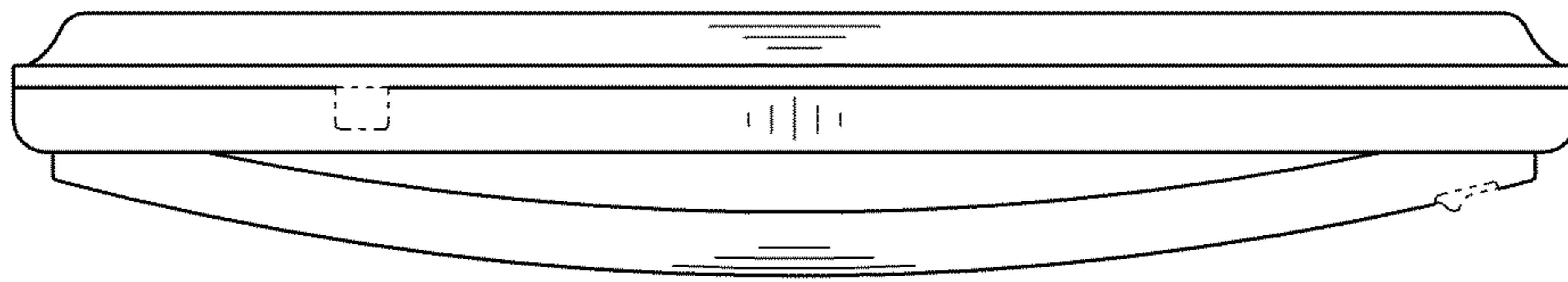


FIG. 7

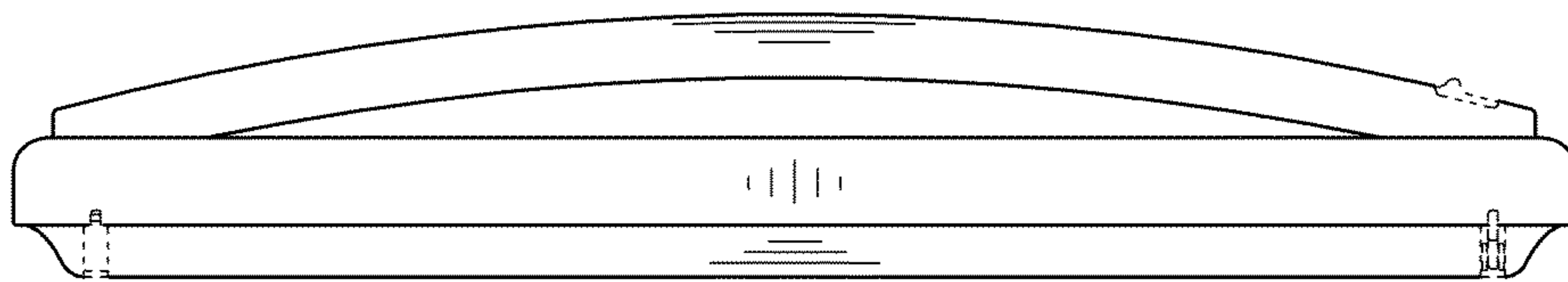


FIG. 8

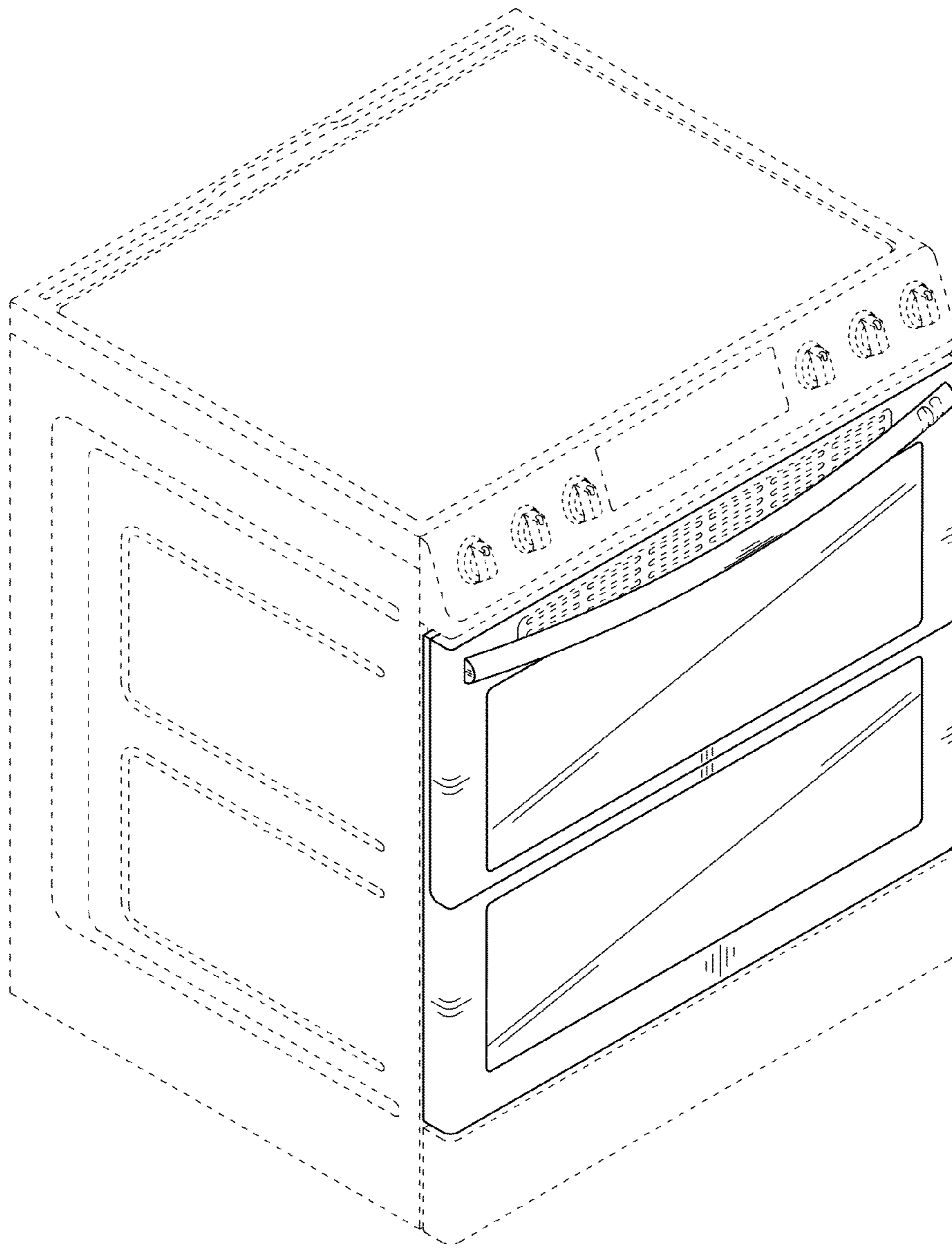


FIG. 9

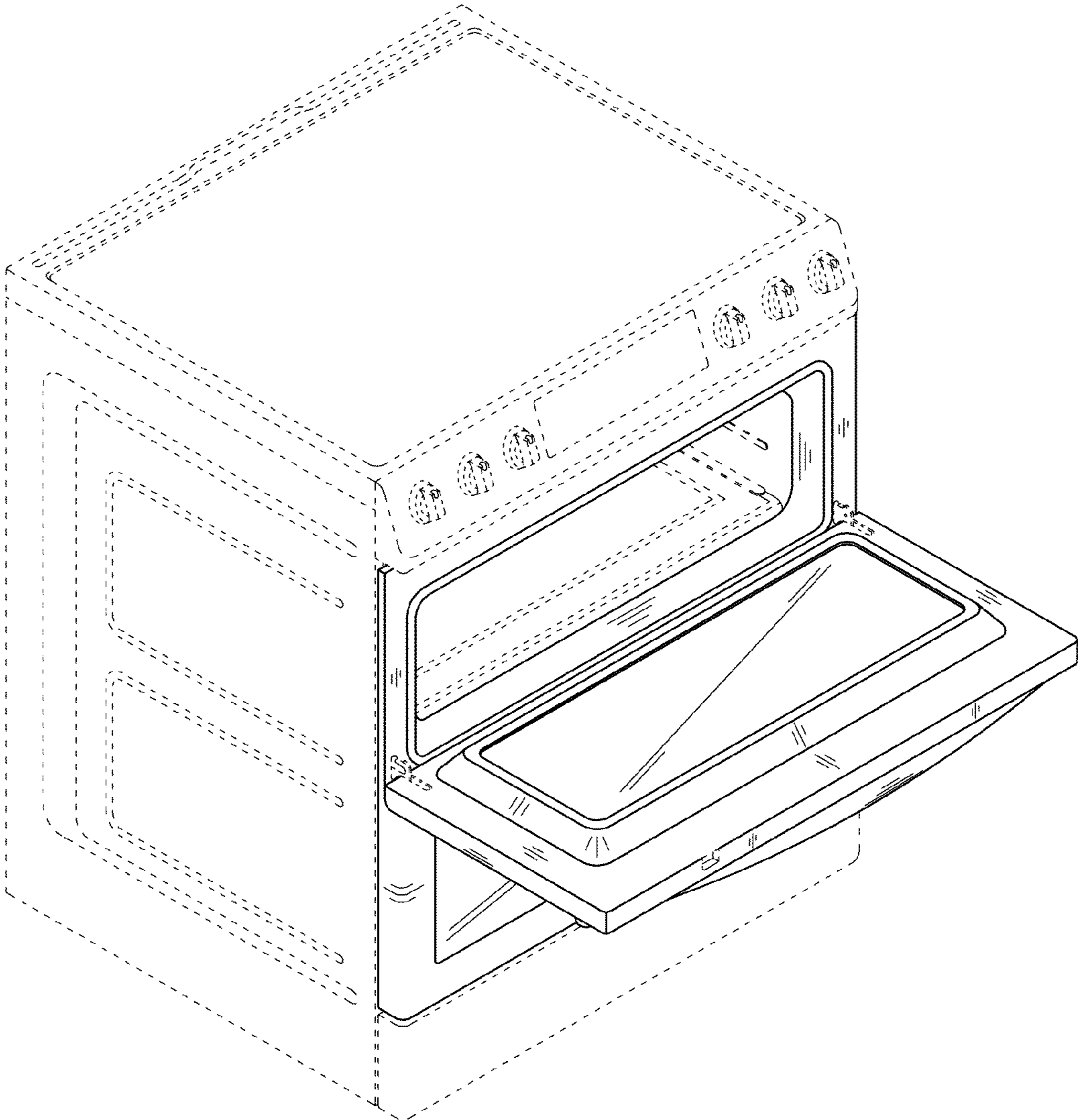


FIG. 10

