

US00D755006S

(12) **United States Design Patent**
Prats

(10) **Patent No.:** **US D755,006 S**

(45) **Date of Patent:** **** May 3, 2016**

(54) **PRESSURE COOKER LID**

(56) **References Cited**

(71) Applicant: **TRISTAR PRODUCTS, INC.**,
Fairfield, NJ (US)

(72) Inventor: **Jorge Prats**, Fairfield, NJ (US)

(73) Assignee: **Tristar Products, Inc.**, Fairfield, NJ
(US)

(**) Term: **14 Years**

(21) Appl. No.: **29/512,985**

(22) Filed: **Dec. 24, 2014**

(51) **LOC (10) Cl.** **07-02**

(52) **U.S. Cl.**
USPC **D7/391**; D7/354; D7/358

(58) **Field of Classification Search**
USPC D7/323, 350.3, 354-361, 368, 391, 393,
D7/402

CPC A21B 1/22; A47J 27/00; A47J 27/004;
A47J 27/08; A47J 27/0802; A47J 27/0804;
A47J 27/0811; A47J 27/0813; A47J 27/0815;
A47J 27/0817; A47J 27/084; A47J 27/09;
A47J 27/092; A47J 36/025; A47J 36/06;
A47J 37/0623; A47J 37/12; A47J 37/1204;
A47J 37/1209; A47J 45/07; A47J 45/071;
A47J 45/074; A47J 45/08; B01D 2201/345;
B01J 3/03; B01J 3/04; F01P 2011/0247;
F01P 2011/0252; H05B 6/00; H05B 6/02;
H05B 6/06

U.S. PATENT DOCUMENTS

D345,886	S *	4/1994	Gingele	D7/354
D355,564	S *	2/1995	Dornbush	D7/350.3
D357,383	S *	4/1995	Dornbush	D7/350.3
D369,274	S *	4/1996	Dornbush	D7/402
D370,827	S *	6/1996	Combe	D7/358
6,747,250	B1 *	6/2004	Cha	A47J 37/0623 219/386
D594,694	S *	6/2009	Pino	D7/354
D651,456	S *	1/2012	Moon	D7/402
8,330,083	B2 *	12/2012	Moon	A47J 37/0623 219/412
D693,643	S *	11/2013	Moon	D7/402
8,835,810	B2 *	9/2014	Moon	A21B 1/22 219/386
D728,301	S *	5/2015	Hack	D7/368
D743,201	S *	11/2015	Aderka	D7/354

* cited by examiner

Primary Examiner — Ricky Pham

(74) *Attorney, Agent, or Firm* — Adler Pollock & Sheehan P.C.; Daniel J. Holmander, Esq.; George N. Chaclas, Esq.

(57) **CLAIM**

The ornamental design for a pressure cooker lid, as shown and described.

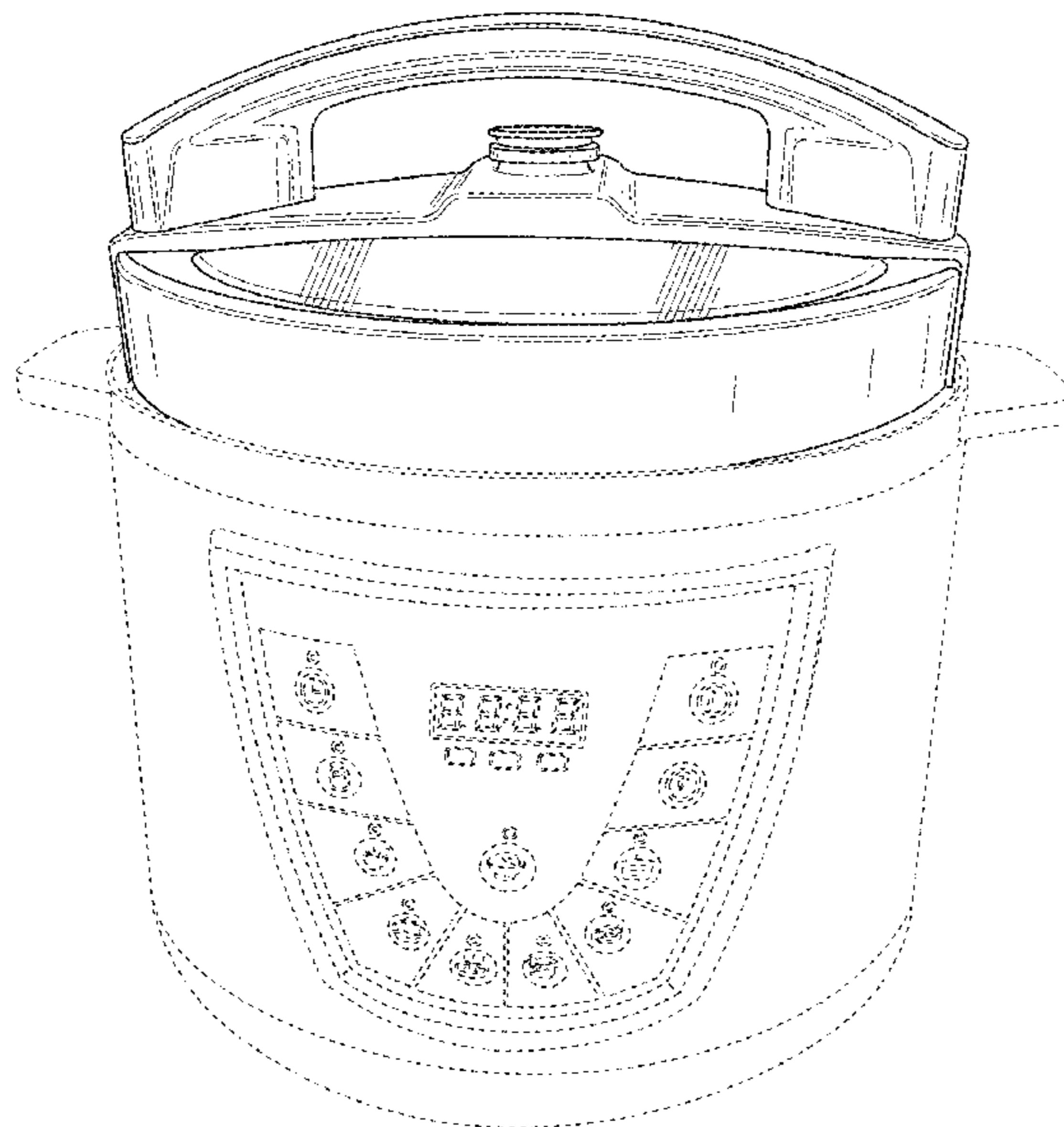
DESCRIPTION

FIG. 1 is a perspective view of the pressure cooker lid in accordance with the present invention; FIG. 2 is a front elevation view thereof; FIG. 3 is a rear elevation view thereof; FIG. 4 is a right side elevation view thereof; FIG. 5 is a left side elevation view thereof; FIG. 6 is a top view thereof; and, FIG. 7 is a bottom view thereof.

The elements depicted in broken line in the various figures are included for environmental purposes only, and form no part of the claimed design.

See application file for complete search history.

1 Claim, 7 Drawing Sheets



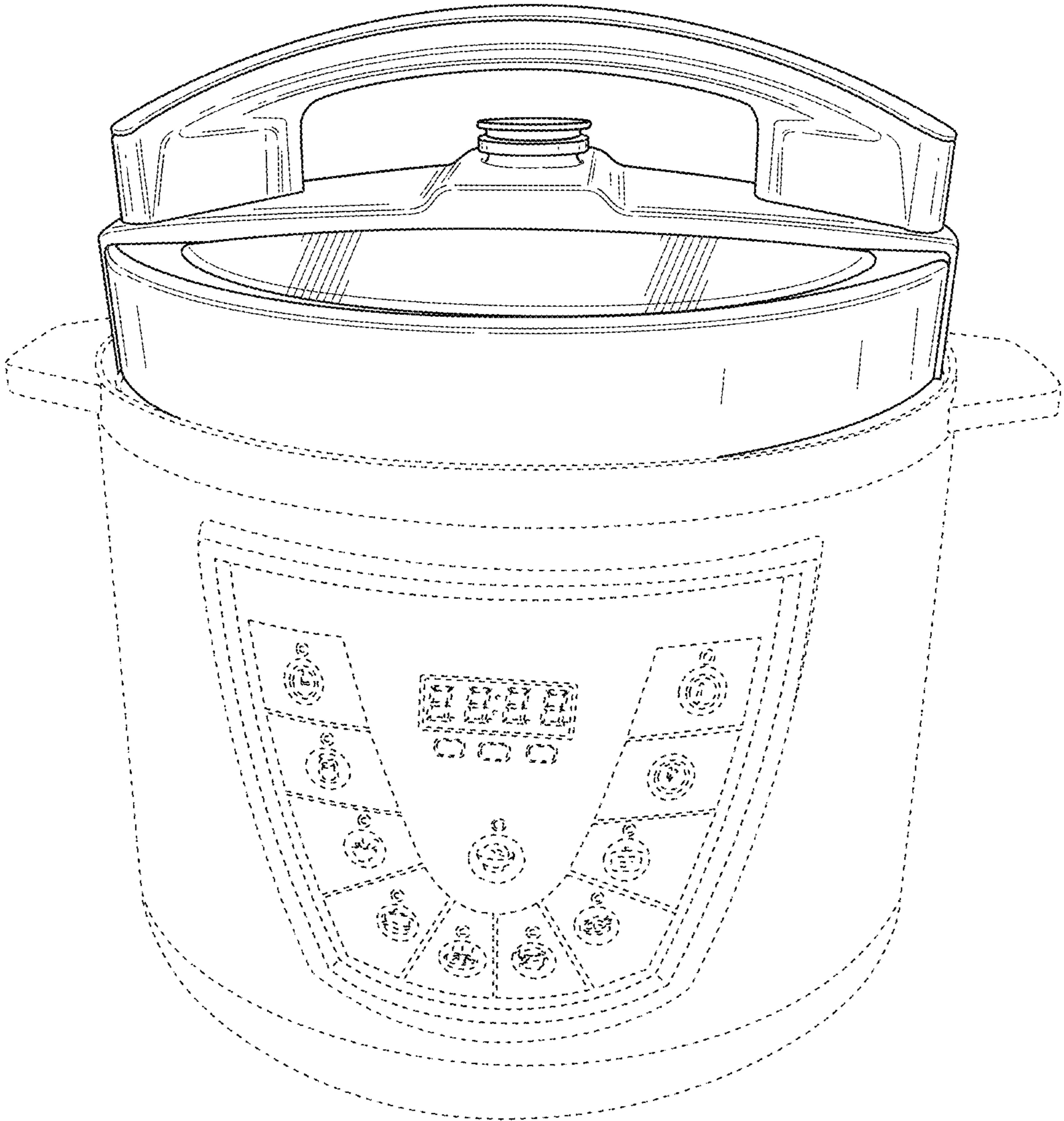


FIG. 1

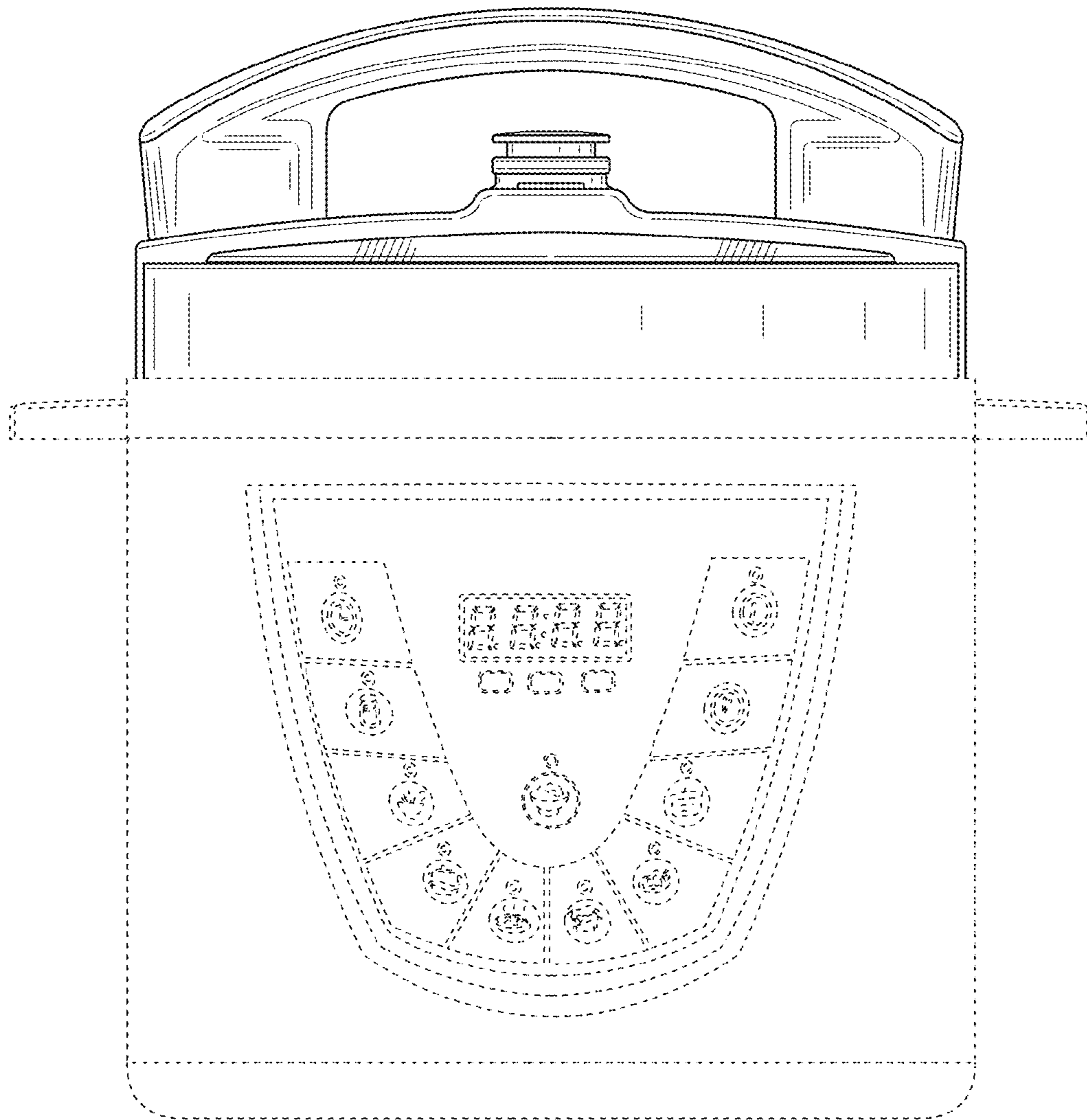


FIG. 2

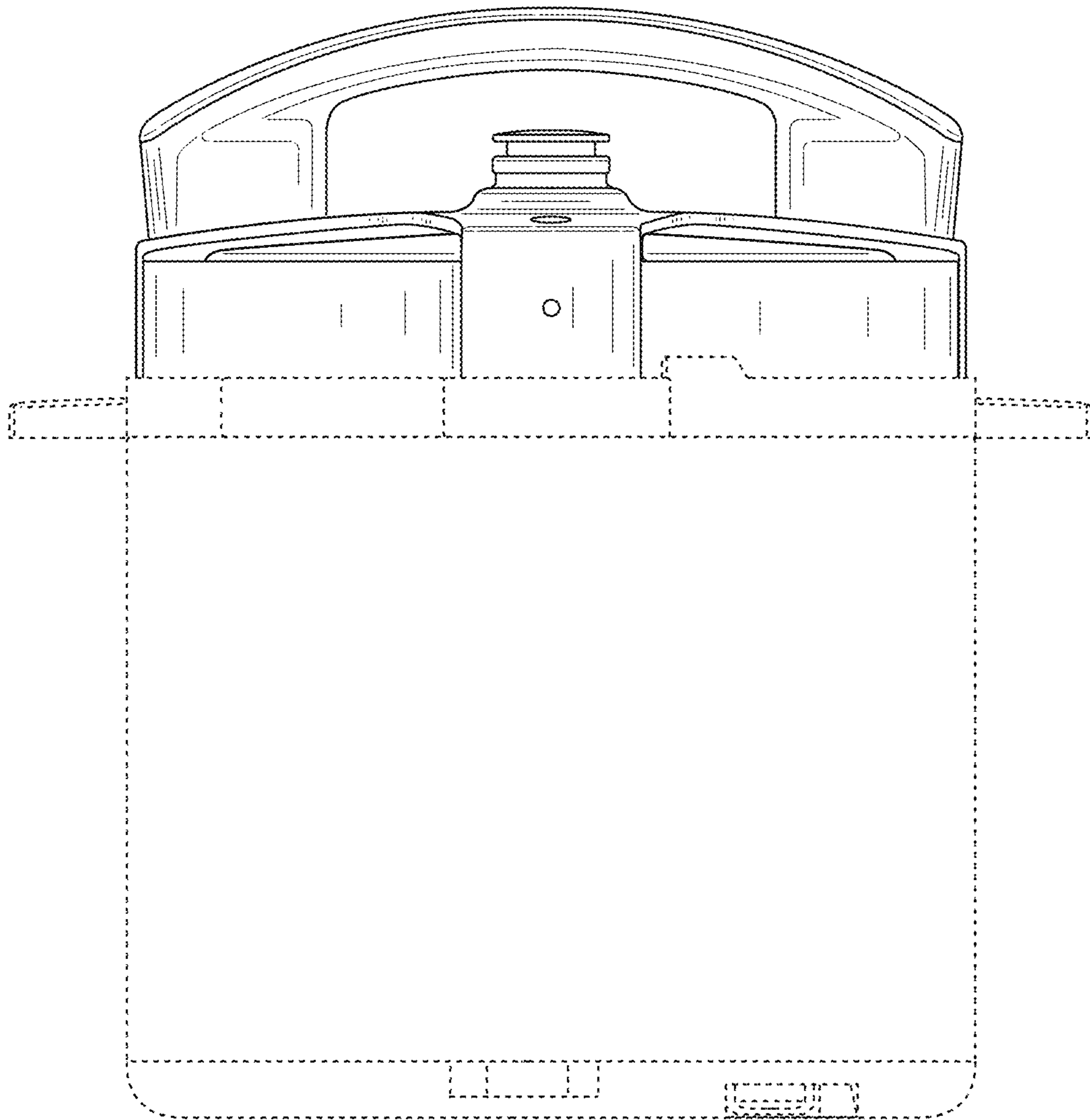


FIG. 3

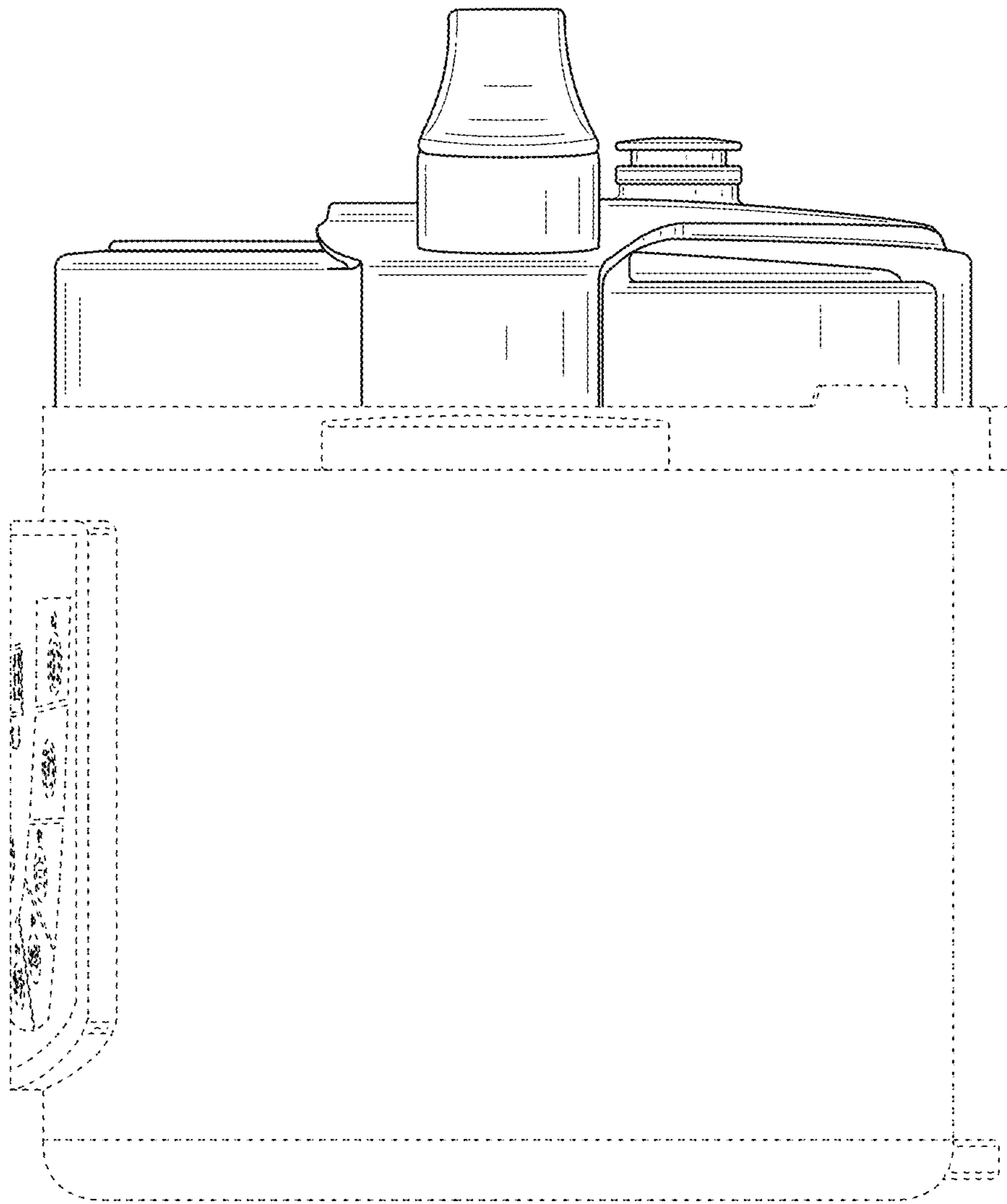


FIG. 4

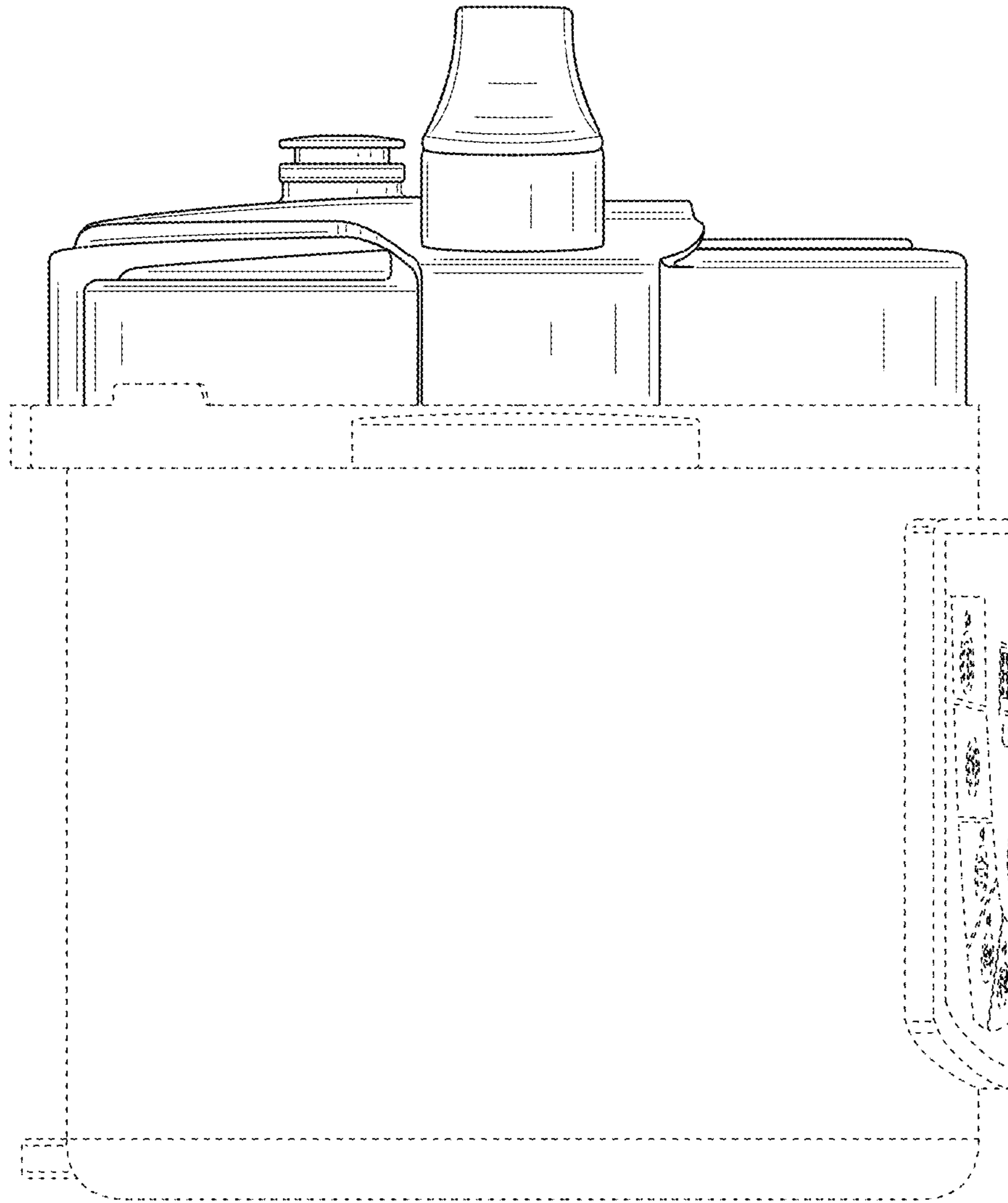


FIG. 5

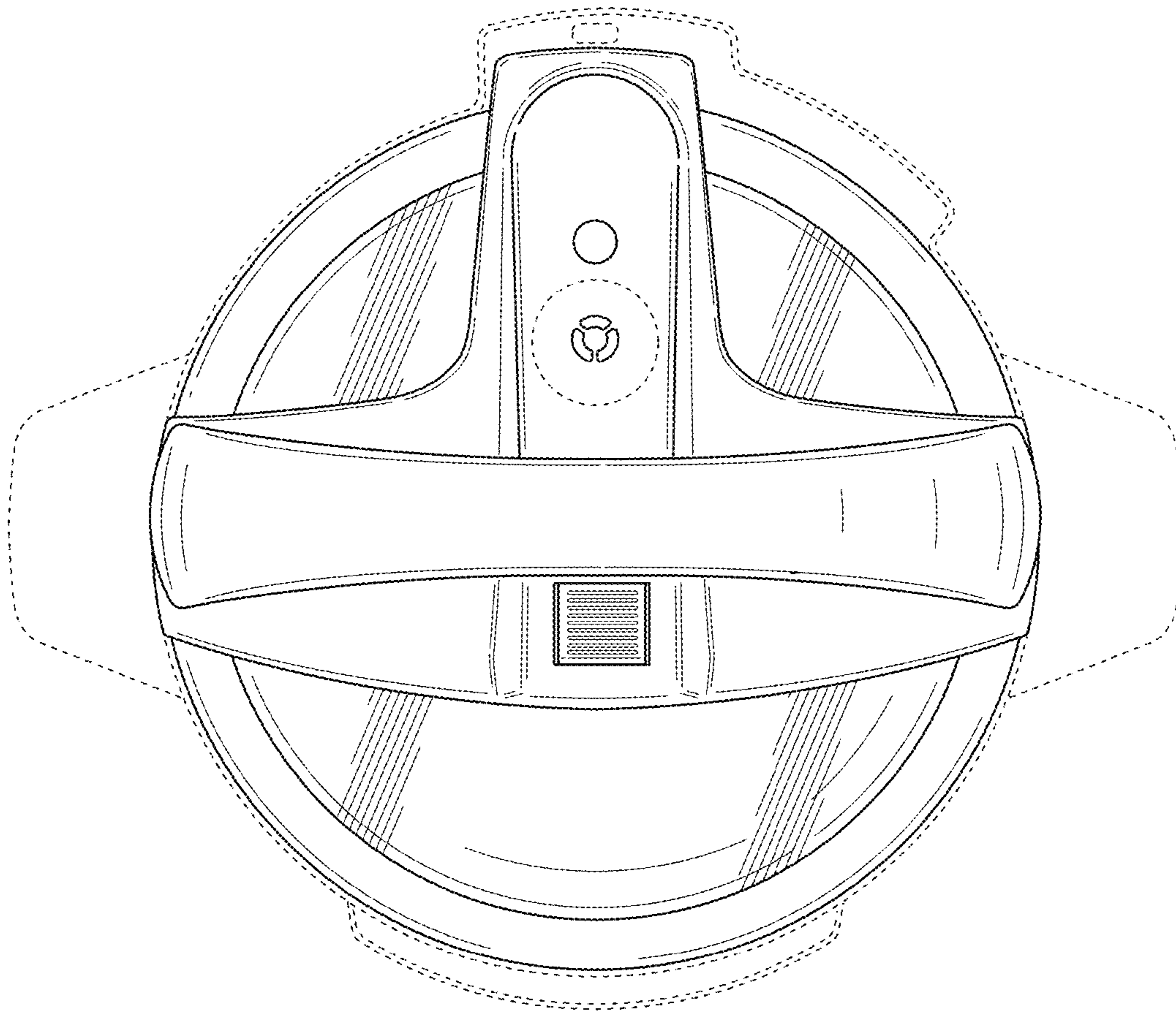


FIG. 6

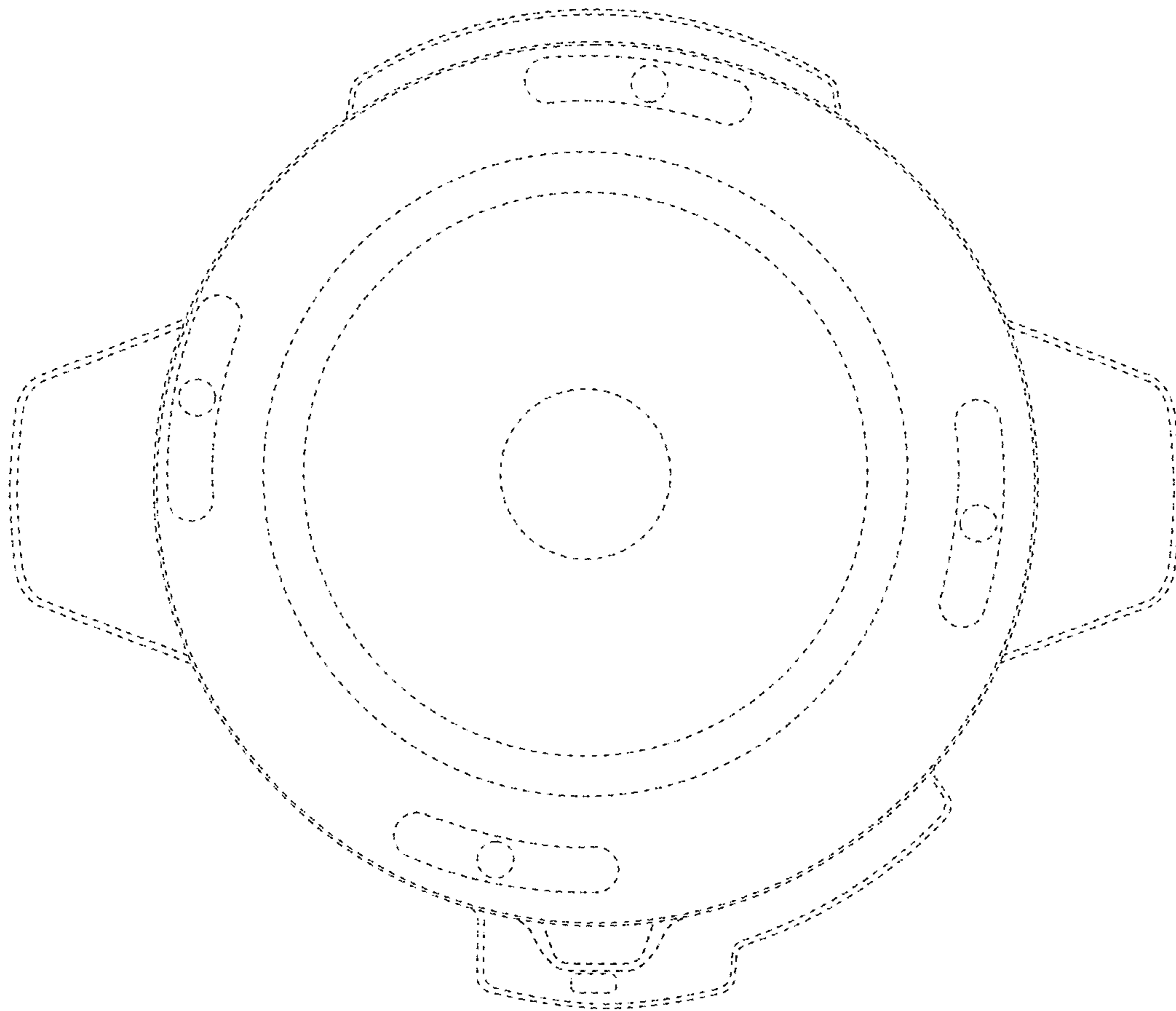


FIG. 7