



US00D755004S

(12) **United States Design Patent**
Bock et al.

(10) **Patent No.:** **US D755,004 S**
(45) **Date of Patent:** **** May 3, 2016**

- (54) **BLENDER**
- (71) Applicant: **Hamilton Beach Brands, Inc.**, Glen Allen, VA (US)
- (72) Inventors: **Brian Bock**, Midlothian, VA (US); **Guoyao Ye**, Glen Allen, VA (US); **Mark C Steiner**, Midlothian, VA (US)
- (73) Assignee: **Hamilton Beach Brands, Inc.**, Glen Allen, VA (US)
- (**) Term: **14 Years**
- (21) Appl. No.: **29/518,206**
- (22) Filed: **Feb. 20, 2015**
- (51) **LOC (10) Cl.** **31-00**
- (52) **U.S. Cl.**
USPC **D7/386; D7/376; D7/378; D7/413**
- (58) **Field of Classification Search**
USPC D7/300.1, 372, 376–386, 412–413, 602, D7/629, 665–666, 669, 679, 693–694
CPC A21C 1/02; A21C 1/04; A23N 1/00; A23N 1/02; A47J 43/04; A47J 43/25; A47J 43/27; A47J 43/042; A47J 43/044; A47J 43/046; A47J 43/075; A47J 43/0722; A47J 43/0727; B01F 3/00; B01F 3/0807; B01F 3/0853; B01F 13/0059; B01F 13/0064; B02C 1/08; B02C 2/04; B02C 4/42; B02C 4/142; B02C 4/143; B02C 4/423; B02C 13/1835; B28C 5/10; B28C 5/12; B28C 5/14; B28C 5/16
See application file for complete search history.

- D187,684 S * 4/1960 Hauser D7/378
- D199,888 S * 12/1964 Dewenter D7/378
- 5,533,797 A 7/1996 Gelber
- D424,865 S 5/2000 Crescenzi et al.
- 6,571,908 B2 6/2003 Bohannon et al.
- D553,425 S * 10/2007 Steiner D7/378
- D556,506 S 12/2007 Spagnolo
- D578,340 S 10/2008 Picozza et al.
- 7,481,296 B2 1/2009 Eilers
- D613,547 S * 4/2010 Day D7/378
- D629,643 S 12/2010 Bower
- D630,467 S * 1/2011 Harrod D7/372
- D642,858 S * 8/2011 Lazzer D7/376
- D642,859 S 8/2011 Cozzolino et al.
- D669,304 S 10/2012 Bock et al.
- 8,287,180 B2 10/2012 Kolar et al.
- D728,302 S * 5/2015 Vu D7/376
- D728,303 S * 5/2015 Vu D7/376
- D731,234 S * 6/2015 Weaden D7/376
- D742,683 S * 11/2015 Kim D7/376
- D747,135 S * 1/2016 Ha D7/376

(Continued)

Primary Examiner — Ricky Pham
(74) *Attorney, Agent, or Firm* — Alexander D. Raring

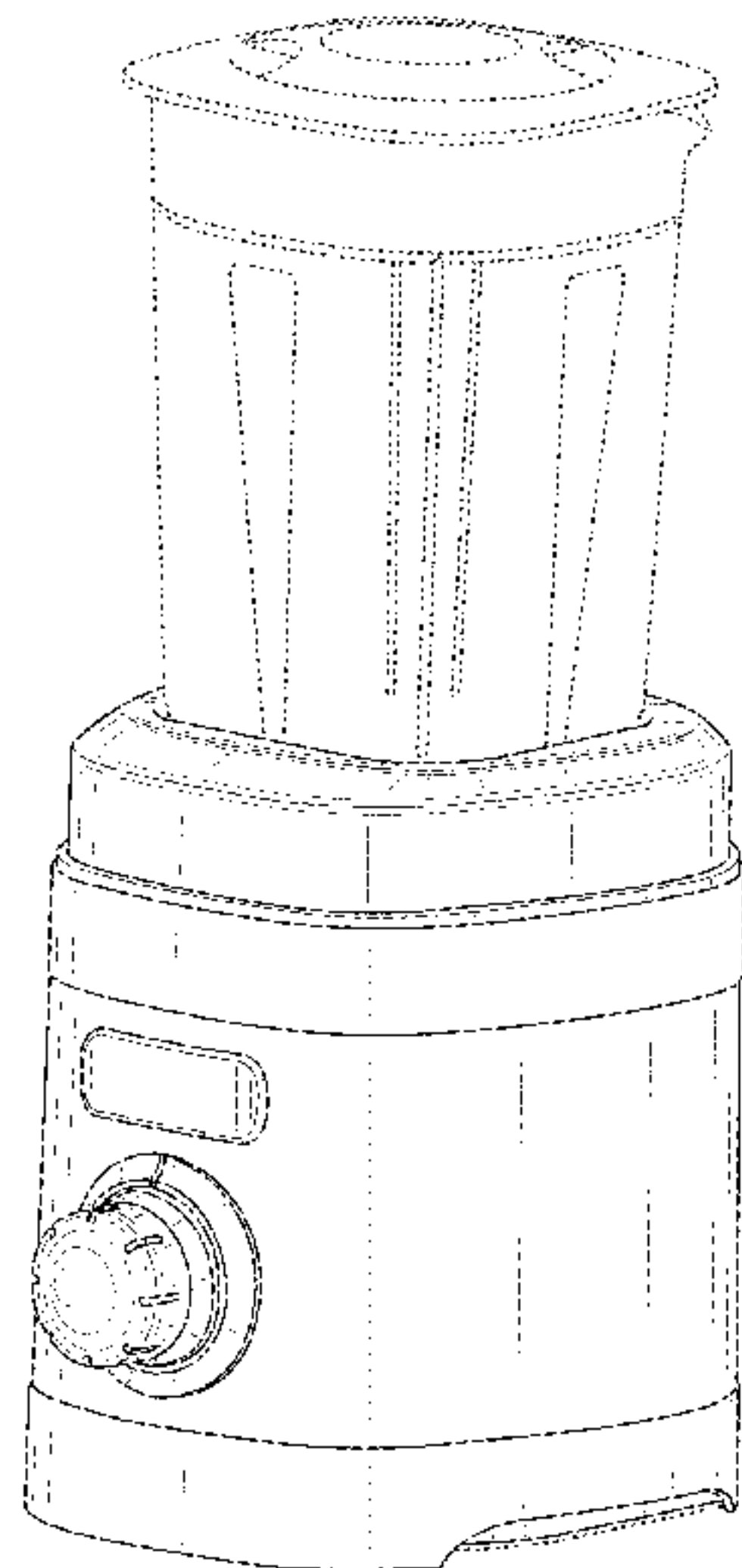
(57) **CLAIM**
The ornamental design for a blender, as shown and described.

DESCRIPTION

FIG. 1 is a perspective view as seen from the top, front and right side of a blender showing the new design;
FIG. 2 is an additional perspective view as seen from the top, front and right side thereof;
FIG. 3 is a front view thereof;
FIG. 4 is a rear view thereof;
FIG. 5 is a left side view thereof;
FIG. 6 is a right side view thereof;
FIG. 7 is a top view thereof; and,
FIG. 8 is a bottom view thereof.
Any broken line illustration of the structure in the drawings is not part of the claimed design.

- (56) **References Cited**
U.S. PATENT DOCUMENTS
D114,673 S * 5/1939 Cravaritis D7/300.1
D176,257 S * 12/1955 Hill et al. D7/378

1 Claim, 8 Drawing Sheets



(56)

References Cited

U.S. PATENT DOCUMENTS

2005/0023940 A1 2/2005 Van Beusekom

2005/0152215 A1 7/2005 Stuart et al.
2006/0171248 A1 8/2006 Chou
2012/0294109 A1 11/2012 Boozer

* cited by examiner

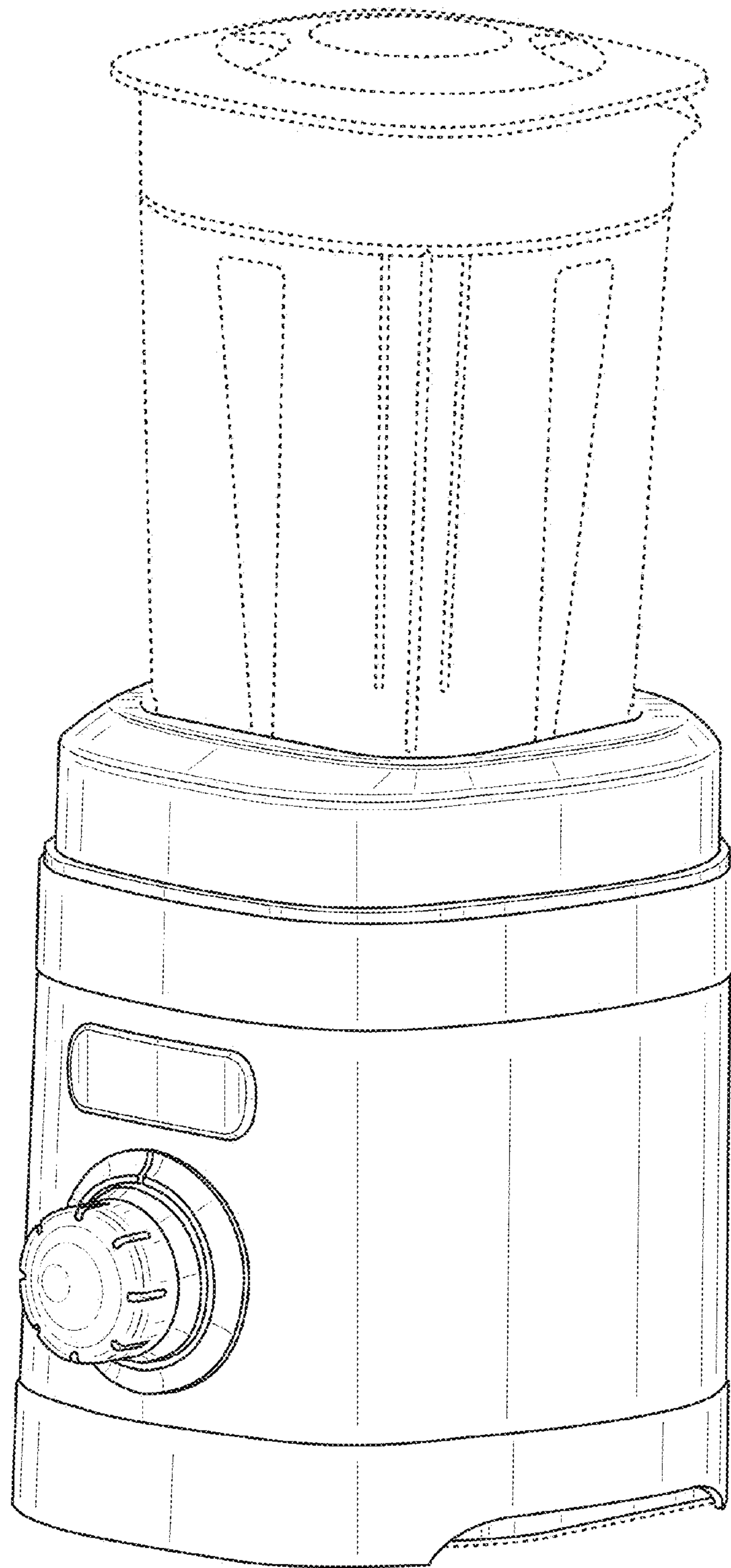


FIG. 1

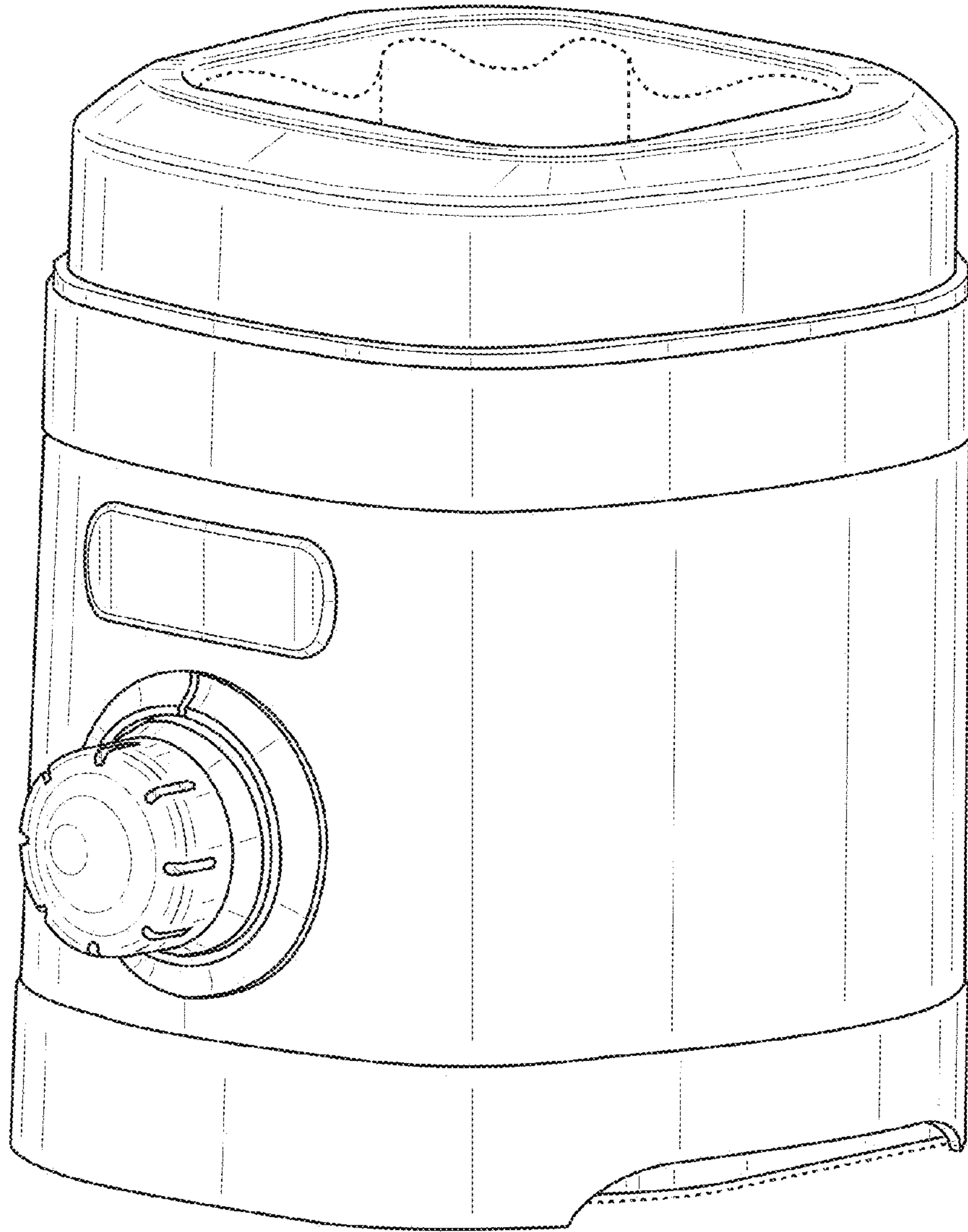


FIG. 2

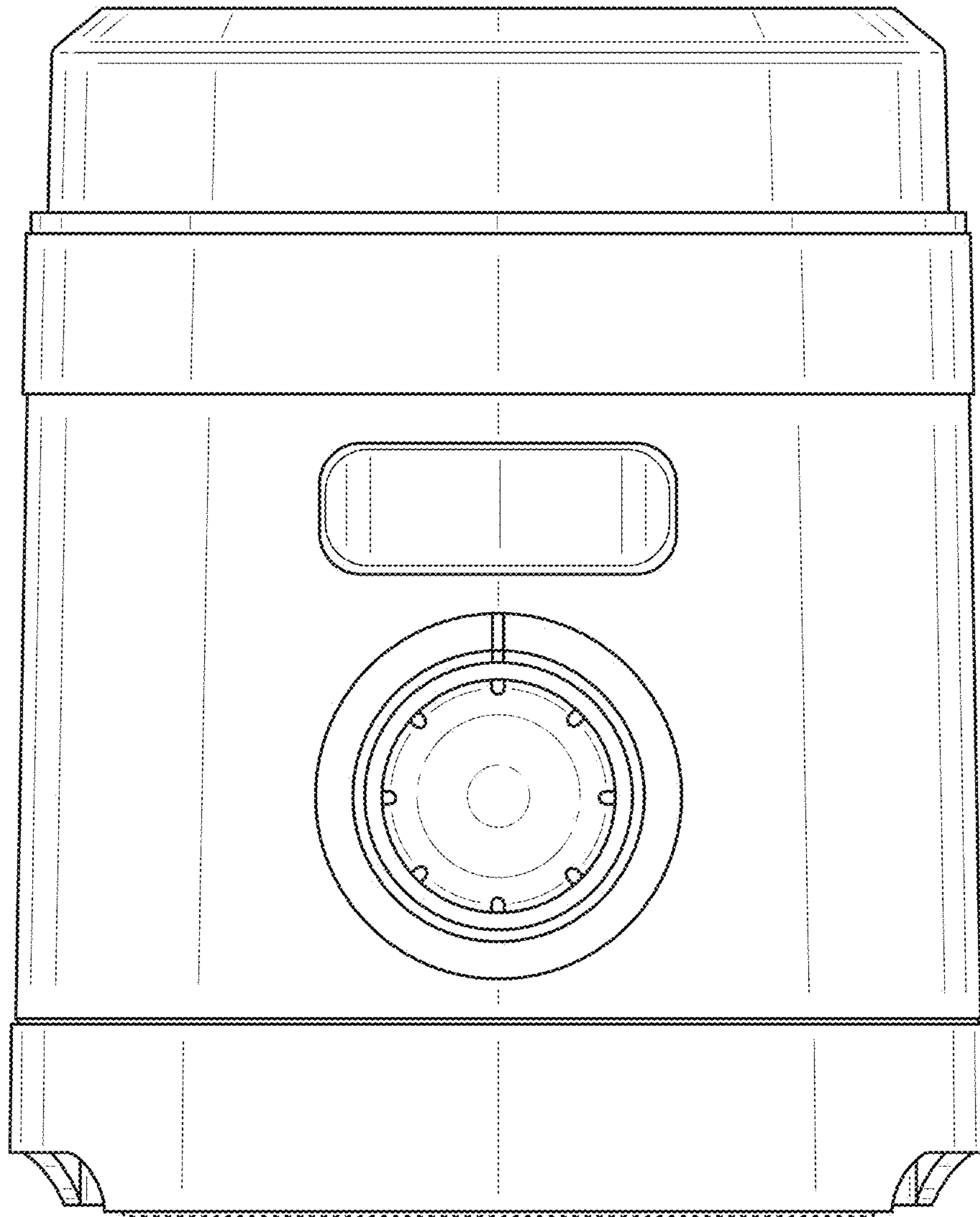


FIG. 3

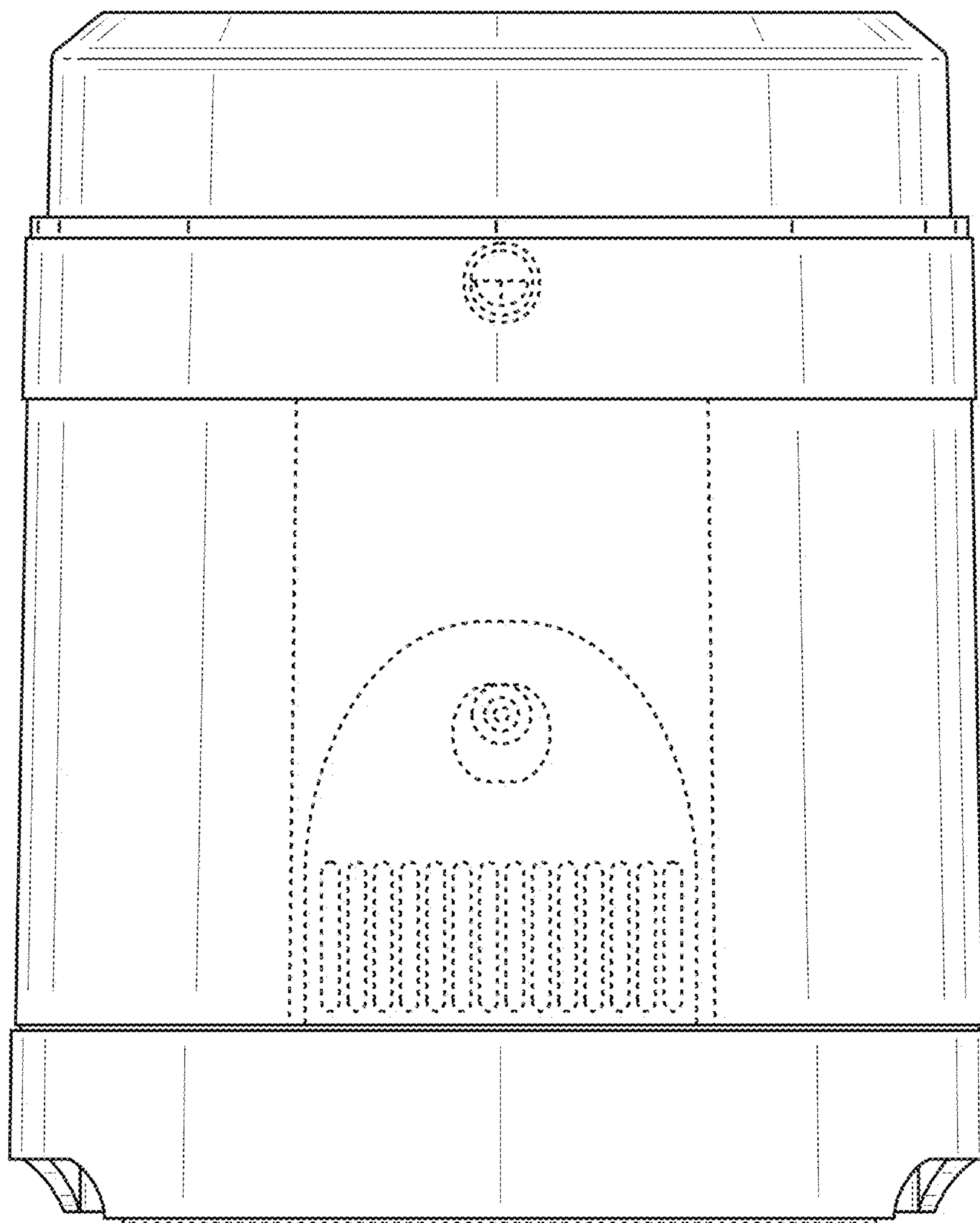


FIG. 4

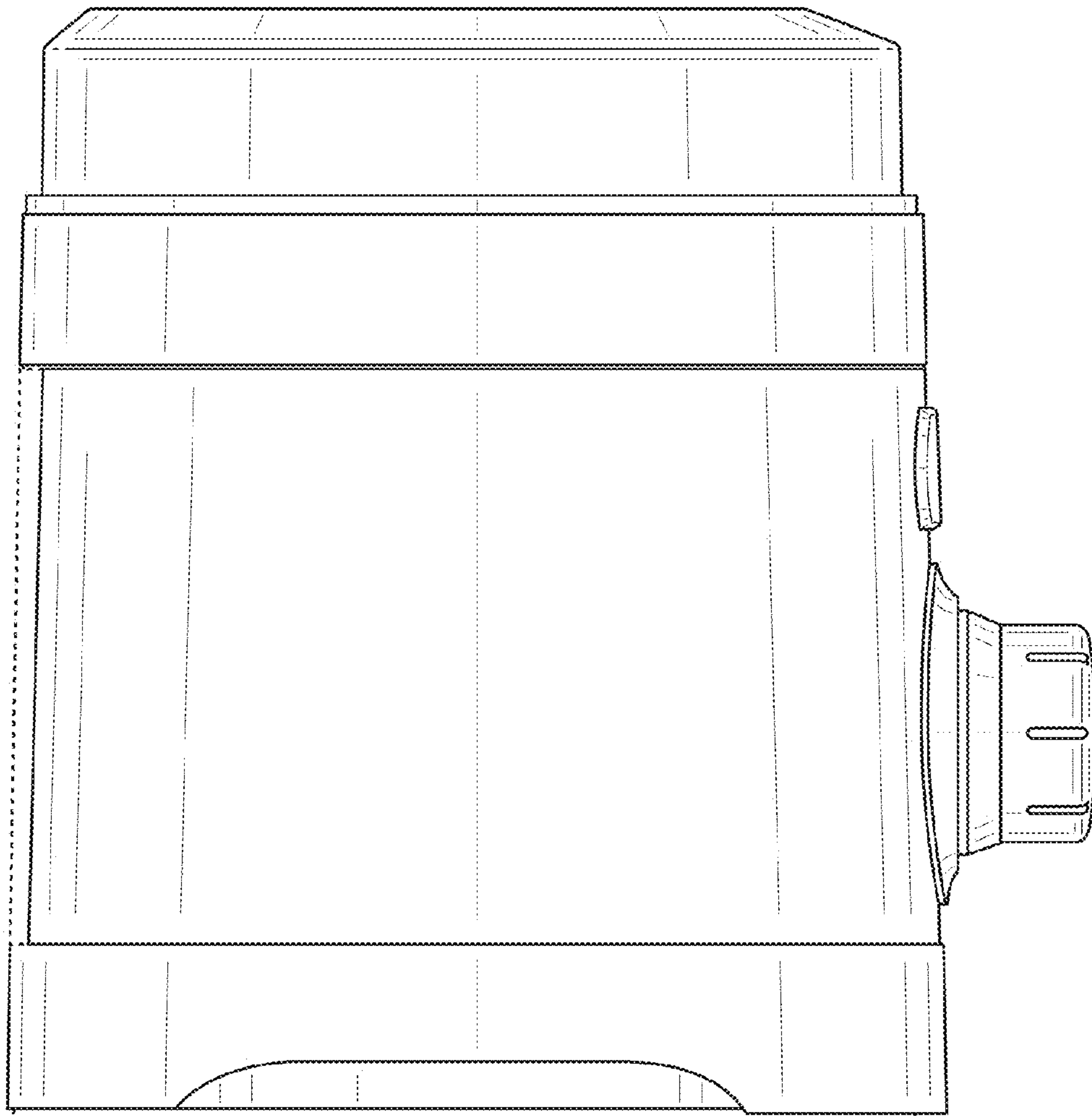


FIG. 5

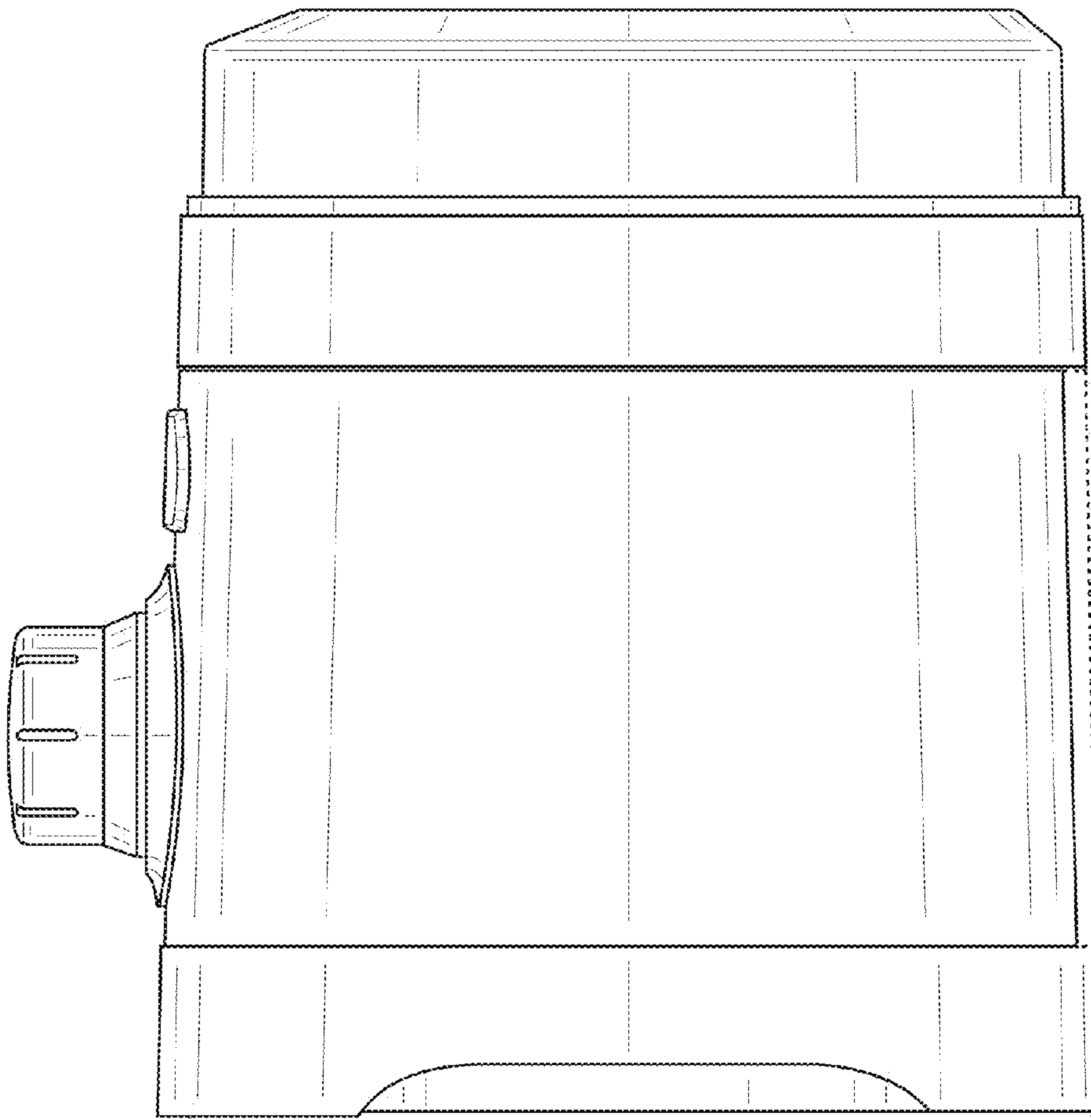


FIG. 6

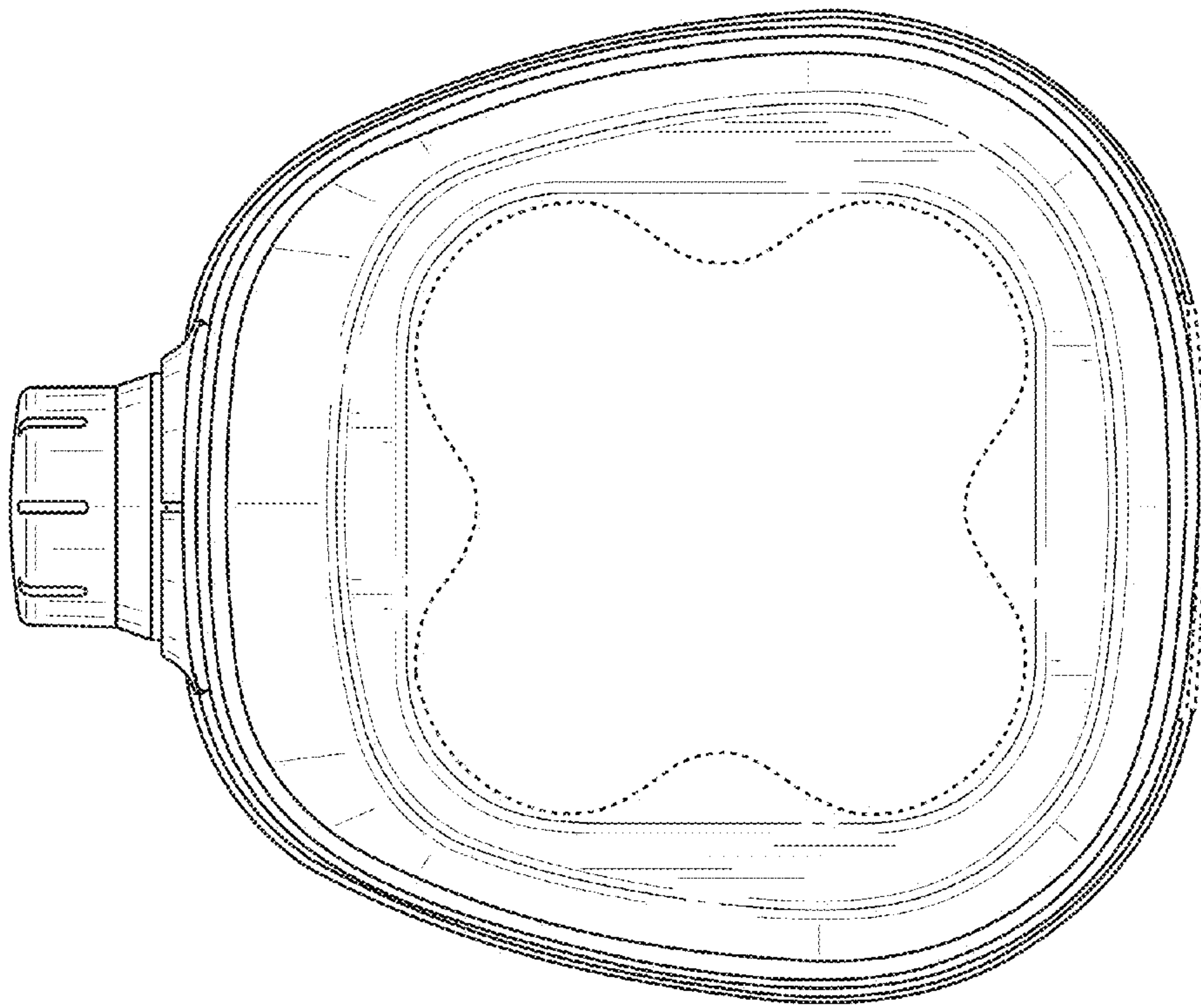


FIG. 7

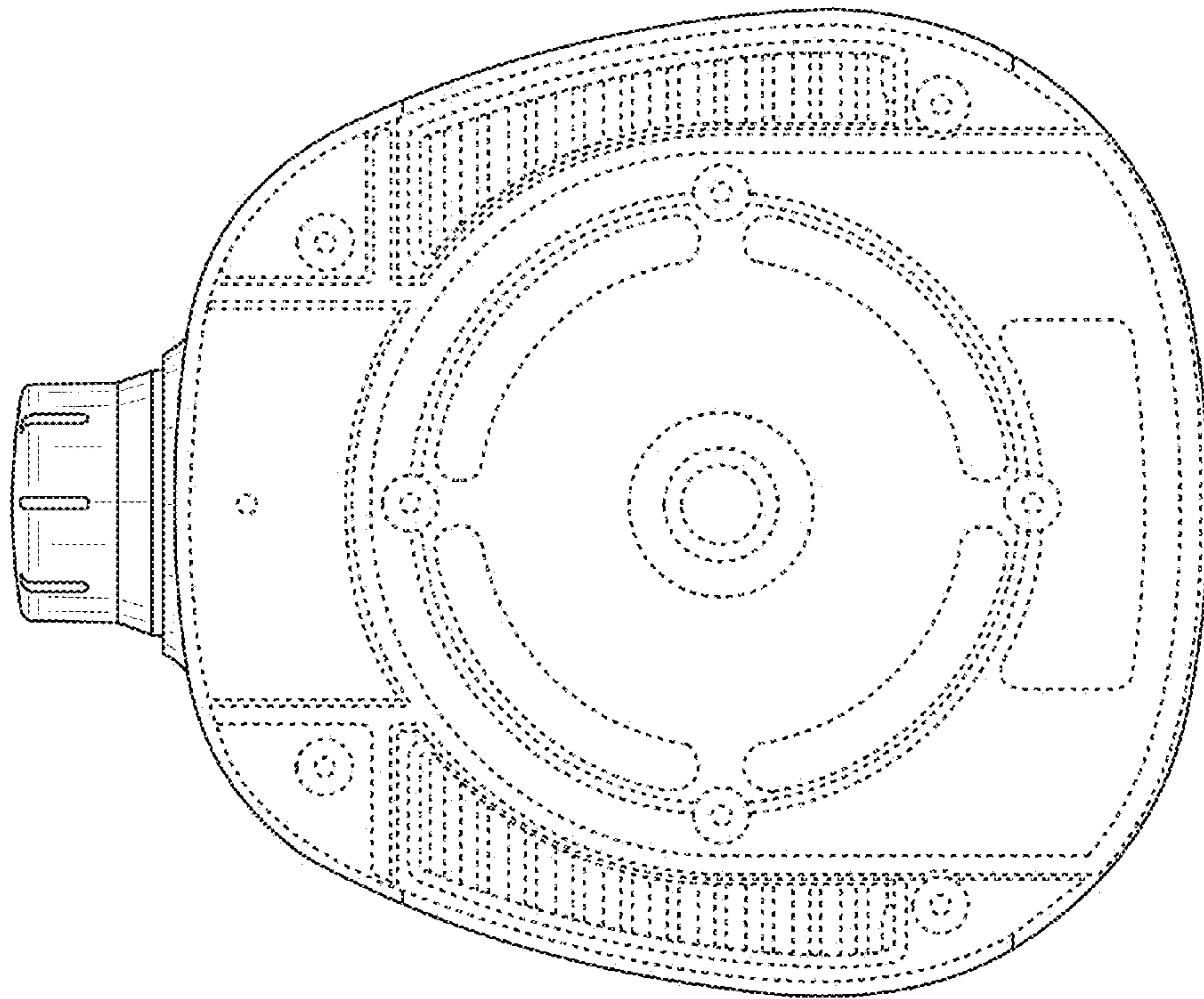


FIG. 8