



US00D755003S

(12) **United States Design Patent**
Palermo et al.

(10) **Patent No.:** **US D755,003 S**

(45) **Date of Patent:** **** May 3, 2016**

(54) **KITCHEN APPLIANCE BASE**

(56) **References Cited**

(71) Applicant: **Sunbeam Products, Inc.**, Boca Raton, FL (US)

U.S. PATENT DOCUMENTS

(72) Inventors: **Joseph Palermo**, Boynton Beach, FL (US); **Scott Henderson**, Brooklyn, NY (US)

D242,208 S *	11/1976	Madl et al.	D7/378
D450,978 S *	11/2001	Smith	D7/378
D552,419 S *	10/2007	Picozza	D7/412
D605,462 S *	12/2009	Picozza	D7/378
D613,550 S *	4/2010	Picozza	D7/378
D617,136 S *	6/2010	Bock	D7/378
D625,143 S *	10/2010	Moore	D7/376
D644,480 S *	9/2011	Czach	D7/376
D668,100 S *	10/2012	Palermo	D7/376
D677,976 S *	3/2013	Palermo	D7/376
D690,152 S *	9/2013	Palermo	D7/376
D695,060 S *	12/2013	Penaherrera	D7/376
D733,488 S *	7/2015	Tu	D7/376

(73) Assignee: **Sunbeam Products, Inc.**, Boca Raton, FL (US)

(**) Term: **14 Years**

(21) Appl. No.: **29/509,868**

* cited by examiner

(22) Filed: **Nov. 21, 2014**

Primary Examiner — Ricky Pham

(51) **LOC (10) Cl.** **31-00**

(74) *Attorney, Agent, or Firm* — Michael J. Corrigan

(52) **U.S. Cl.**
USPC **D7/386; D7/376; D7/378**

(57) **CLAIM**

(58) **Field of Classification Search**

The ornamental design for the kitchen appliance base, as shown and described.

USPC D7/372, 376–386, 412–413, 602, 629, D7/665–666, 669, 679, 693–694

DESCRIPTION

CPC A21C 1/02; A21C 1/04; A23N 1/00; A23N 1/02; A47J 43/04; A47J 43/25; A47J 43/27; A47J 43/042; A47J 43/044; A47J 43/046; A47J 43/075; A47J 43/0722; A47J 43/0727; B01F 3/00; B01F 3/0807; B01F 3/0853; B01F 13/0059; B01F 13/0064; B02C 1/08; B02C 2/04; B02C 4/42; B02C 4/142; B02C 4/143; B02C 4/423; B02C 31/1835; B28C 5/10; B28C 5/12; B28C 5/14; B28C 5/16

FIG. 1 is a front perspective view of a kitchen appliance base; FIG. 2 is a front view thereof; FIG. 3 is a rear view thereof; FIG. 4 is a right side view thereof; FIG. 5 is a left side view thereof; and, FIG. 6 is a top view thereof.

The portion shown in dashed lines is shown for illustrative purposes only and forms no part of the claimed design.

See application file for complete search history.

1 Claim, 3 Drawing Sheets

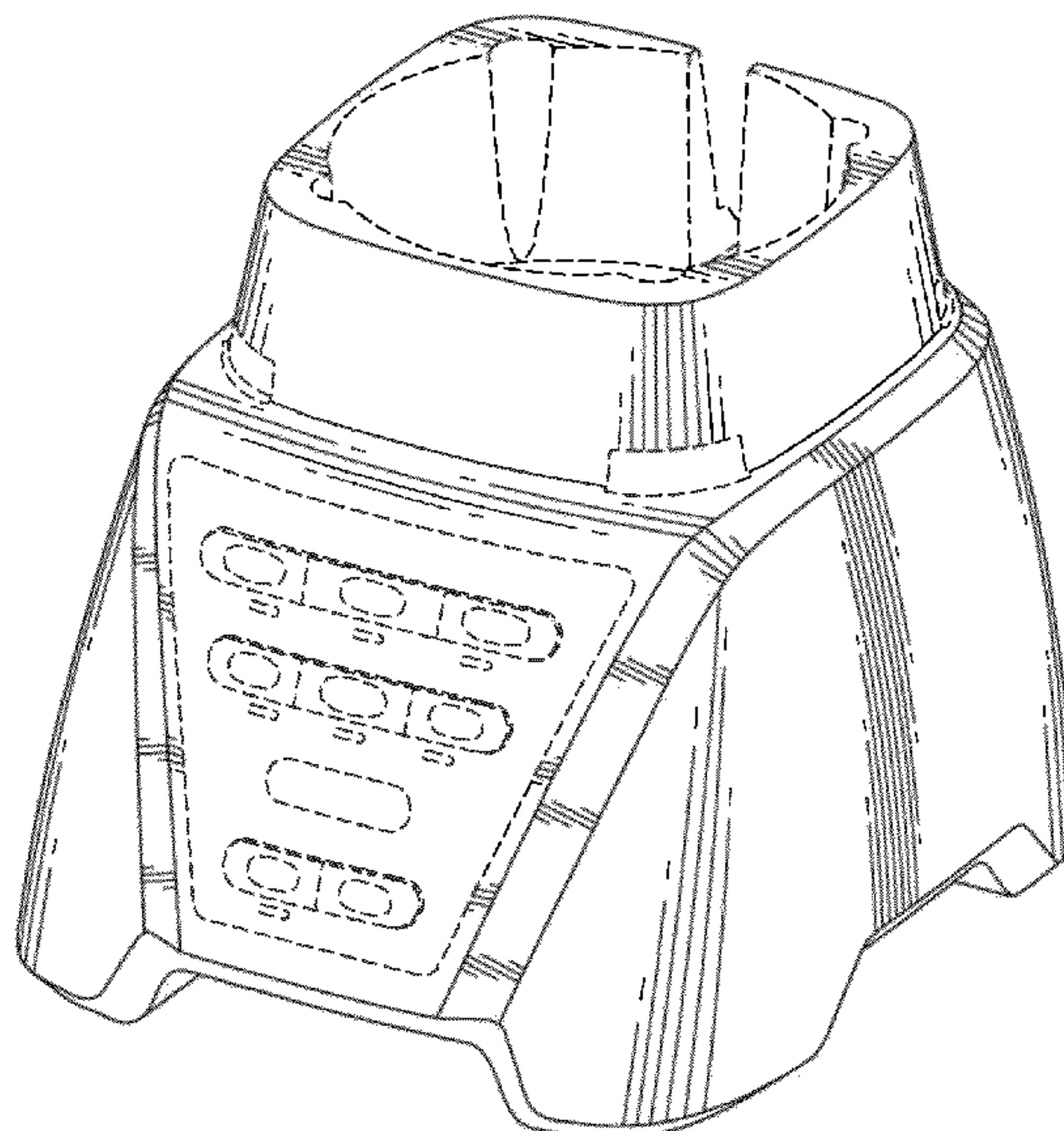


FIG. 1

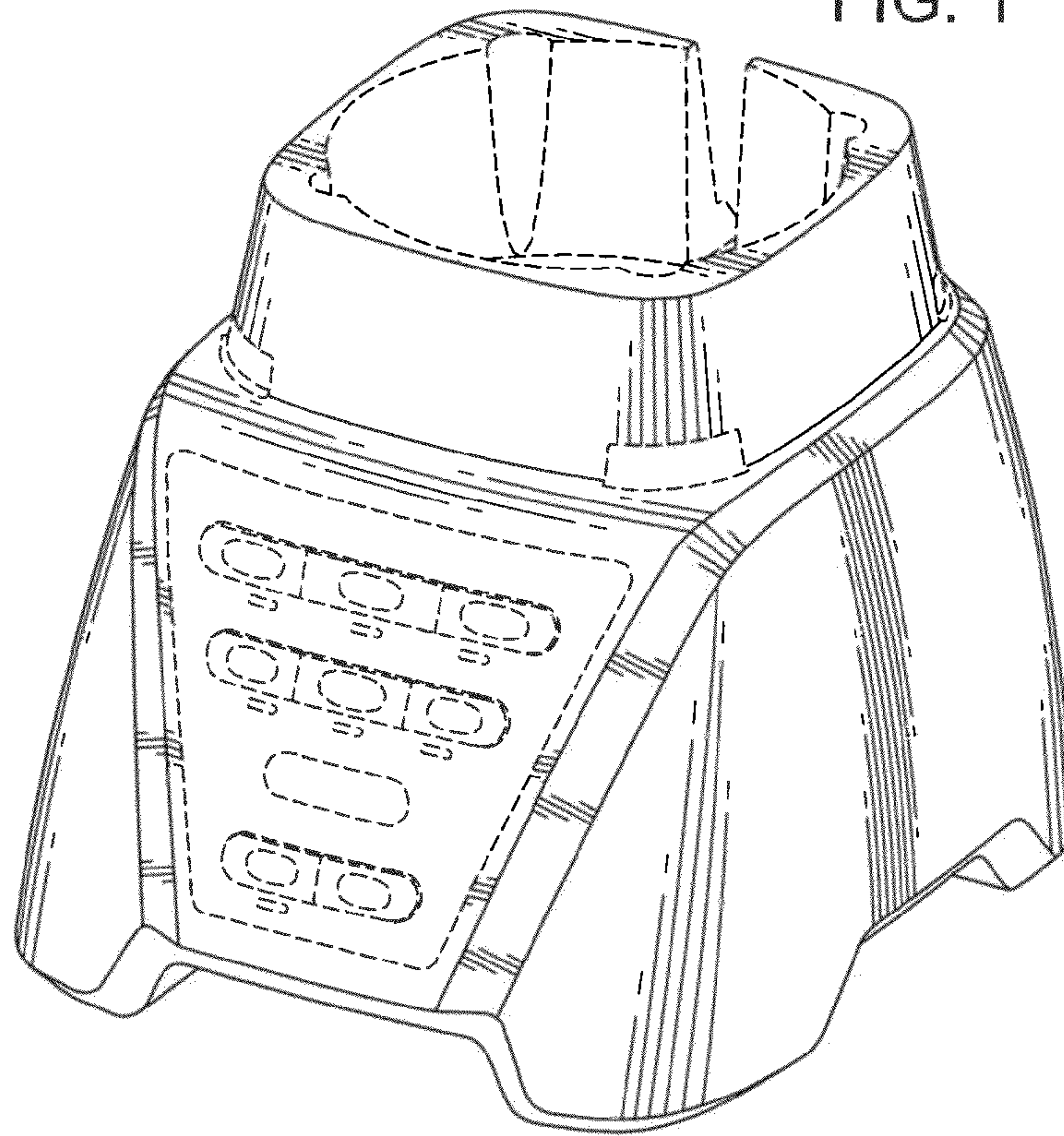


FIG. 2

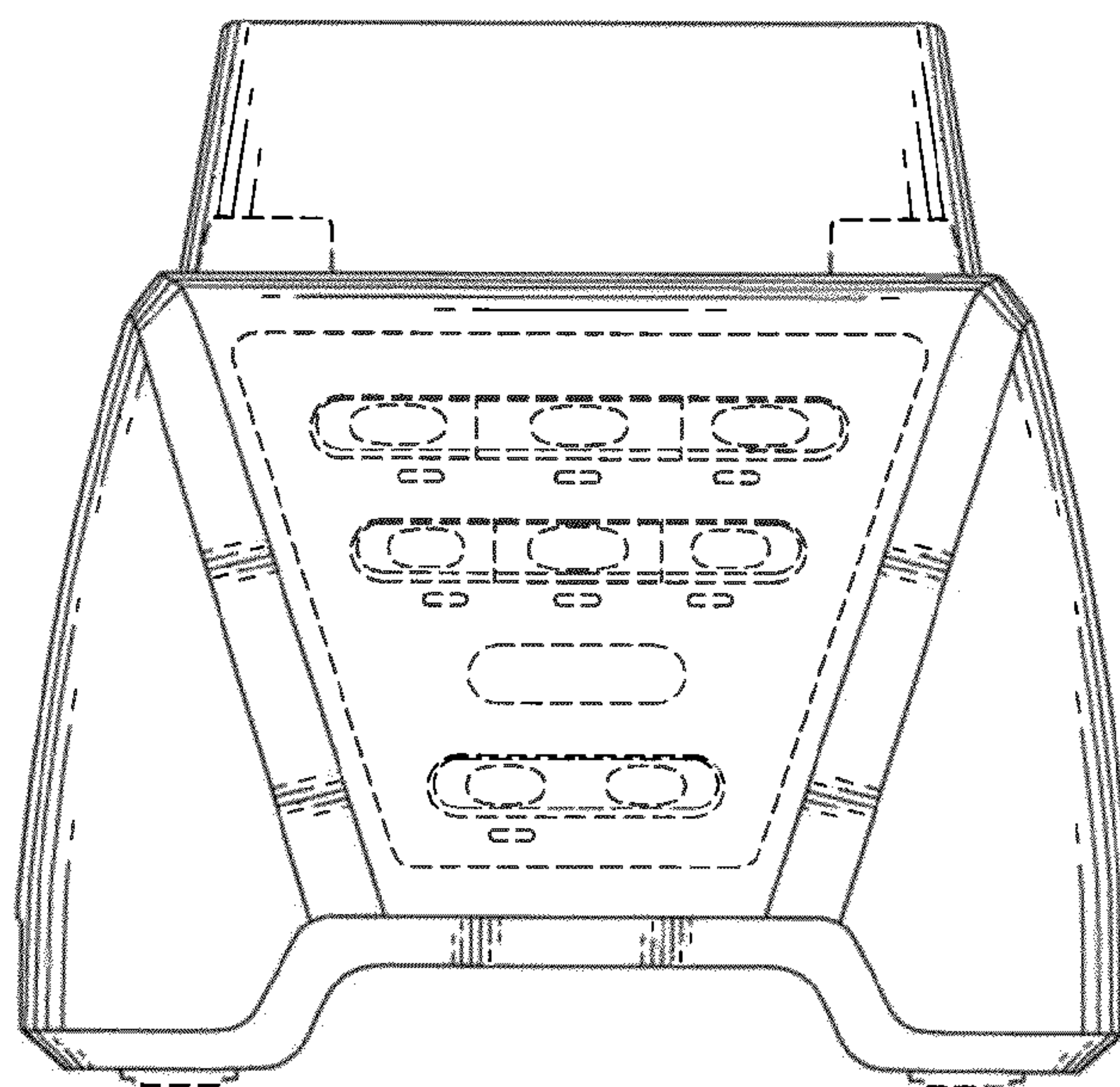


FIG. 3

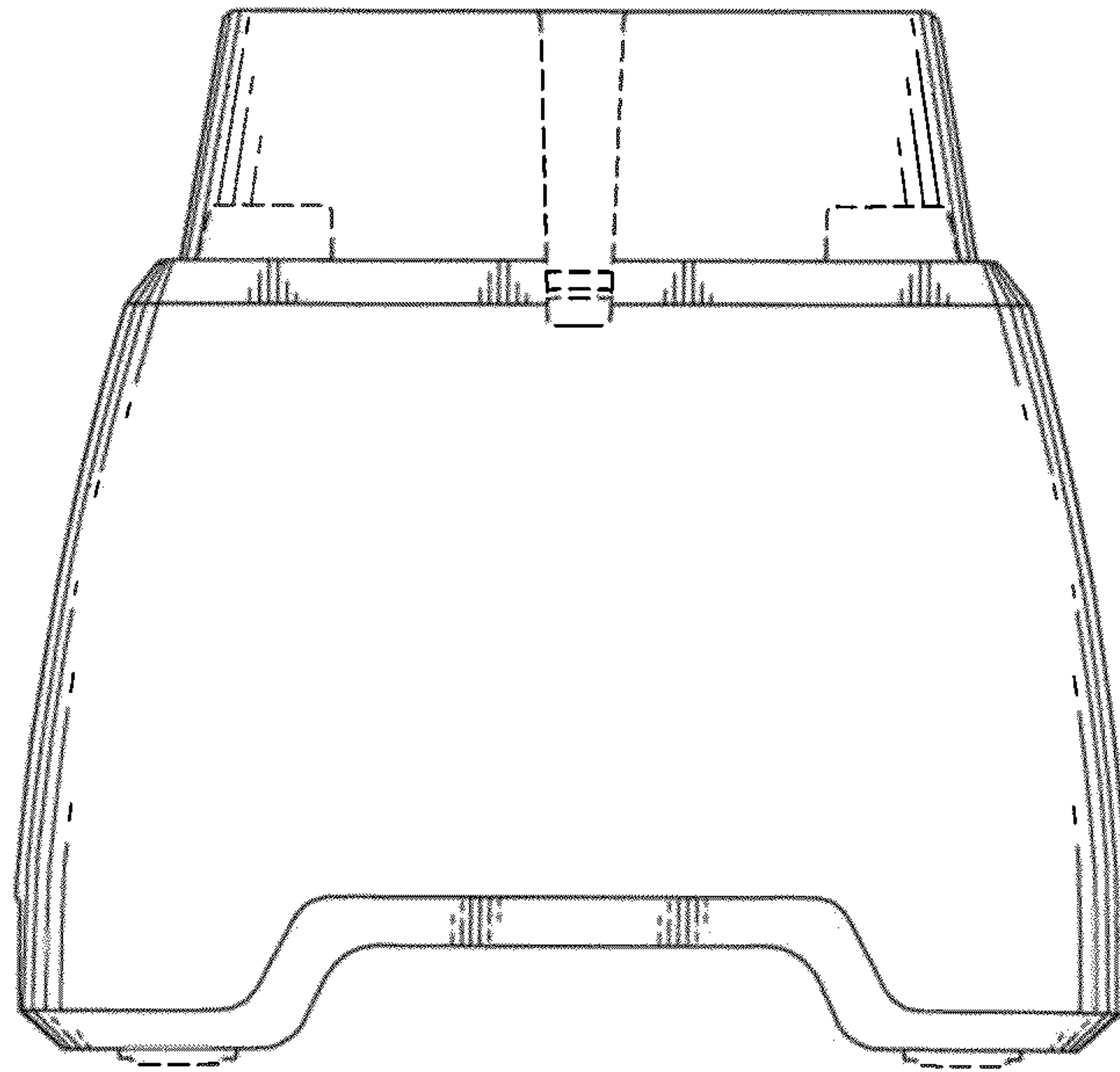


FIG. 4

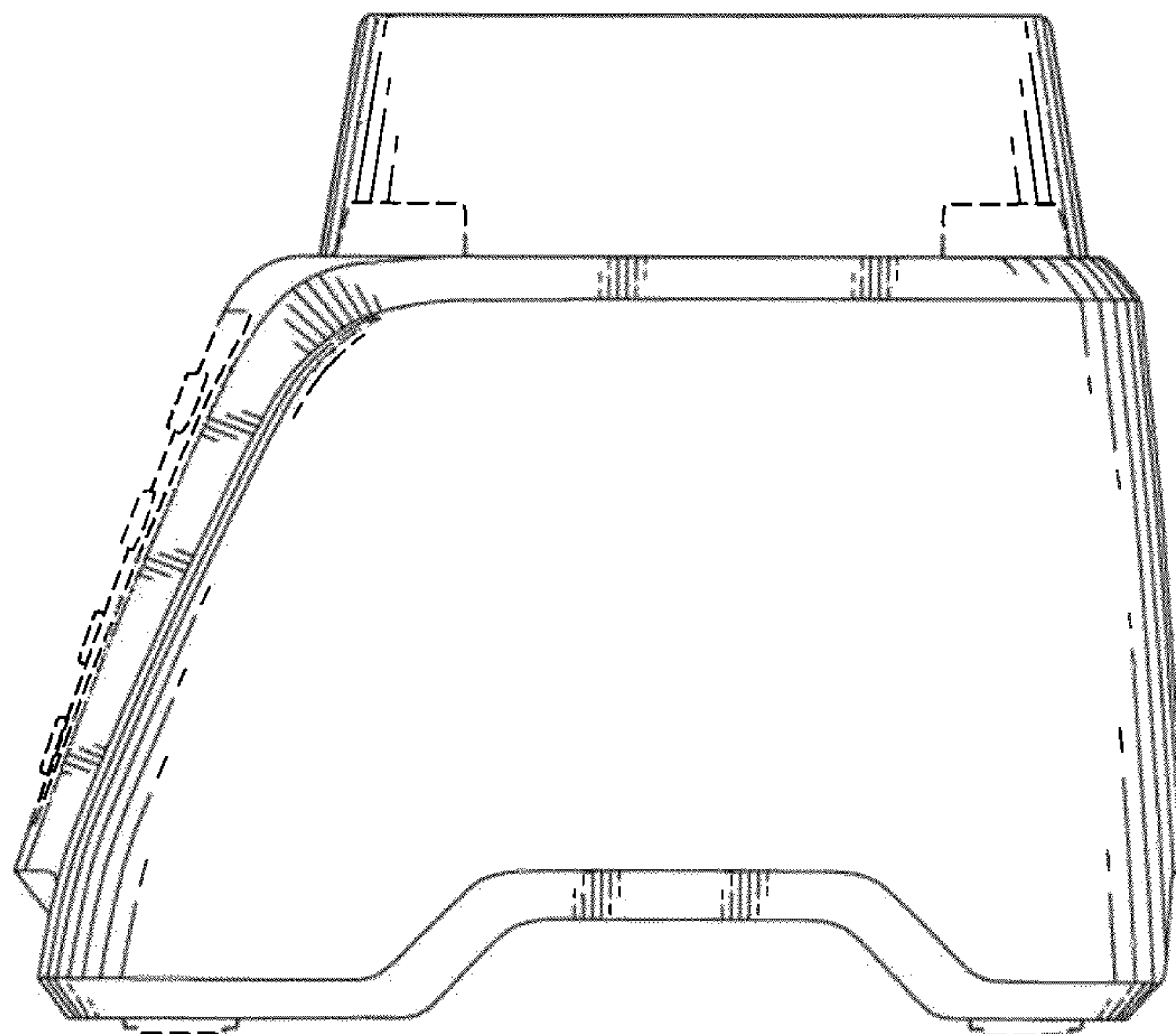


FIG. 5

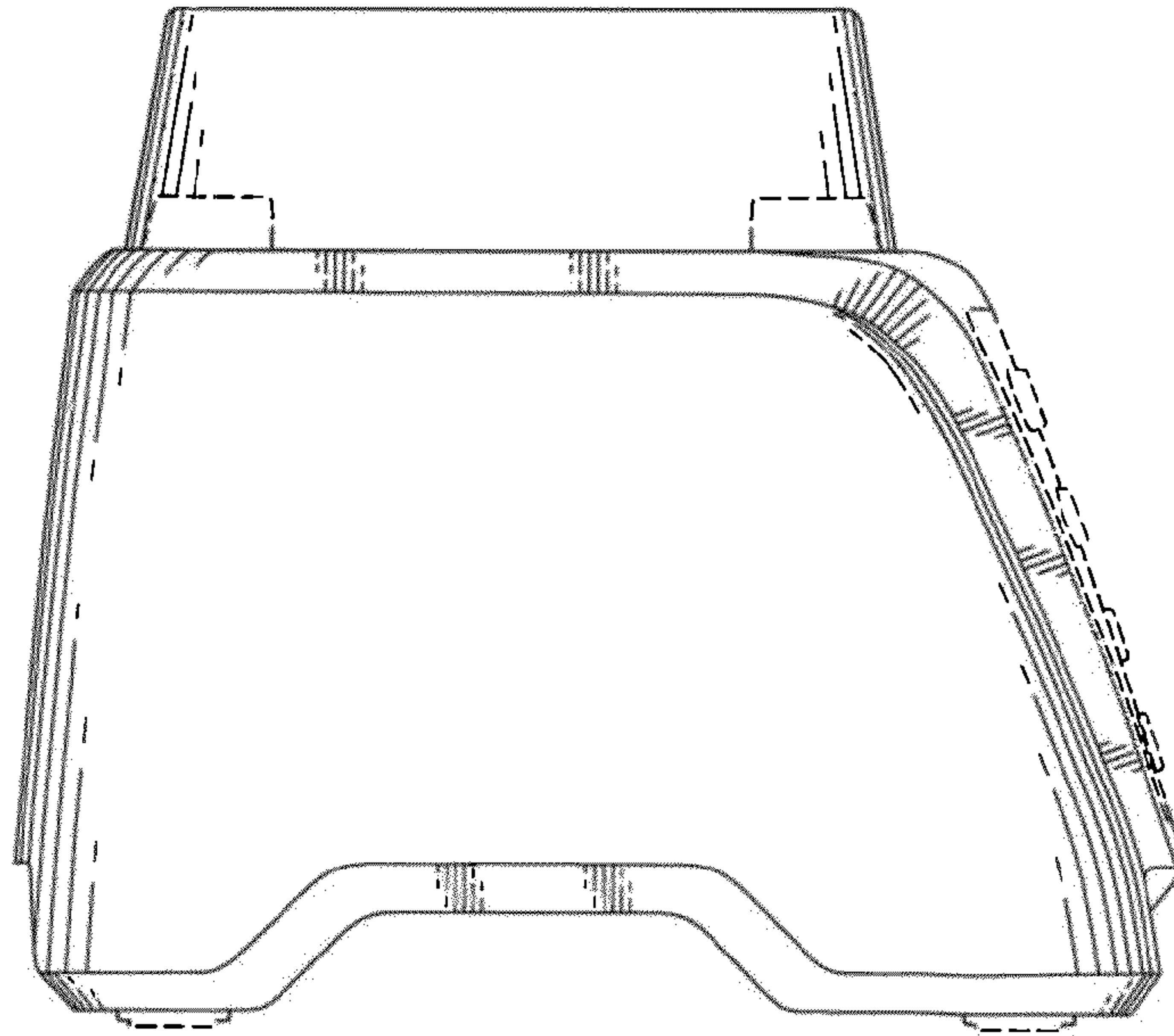


FIG. 6

