



US00D755002S

(12) **United States Design Patent**
Garman

(10) **Patent No.:** **US D755,002 S**
(45) **Date of Patent:** **** May 3, 2016**

- (54) **BURRITO MAKER**
- (71) Applicant: **Hamilton Beach Brands, Inc.**, Glen Allen, VA (US)
- (72) Inventor: **Michael Garman**, Moseley, VA (US)
- (73) Assignee: **Hamilton Beach Brands, Inc.**, Glen Allen, VA (US)
- (**) Term: **14 Years**
- (21) Appl. No.: **29/518,128**
- (22) Filed: **Feb. 20, 2015**
- (51) **LOC (10) Cl.** **07-02**
- (52) **U.S. Cl.**
USPC **D7/352; D7/354; D7/357; D7/362**
- (58) **Field of Classification Search**
USPC **D7/323, 328-330, 337, 347, 352-364, D7/367, 402, 409-411**
CPC **A21B 5/023; A47J 27/60; A47J 27/62; A47J 37/04; A47J 37/06; A47J 37/067; A47J 37/0605; A47J 37/0611; A47J 37/0623; A47J 37/0629; A47J 37/0676; A47J 2037/06; A47J 2037/0611; F24C 15/10; F24C 15/102; H05B 6/02; H05B 6/062**
See application file for complete search history.

6,772,678	B2	8/2004	Choi et al.	
D509,989	S *	9/2005	Steinberg	D7/352
7,005,616	B2	2/2006	Kim et al.	
D530,143	S *	10/2006	Leibson	D7/352
D543,410	S *	5/2007	Cohen	D7/352
7,238,921	B2	7/2007	Beesley et al.	
7,250,587	B2	7/2007	Ely et al.	
7,250,588	B2	7/2007	Ely et al.	
7,467,583	B2	12/2008	Lam	
D602,732	S *	10/2009	Busse	D7/352
D657,990	S *	4/2012	Kim	D7/352
D688,513	S *	8/2013	Garman	D7/352
D695,058	S *	12/2013	Garman	D7/354
D707,075	S *	6/2014	Fung	D7/352
D715,093	S *	10/2014	Ren	D7/352
D734,089	S *	7/2015	Garman	D7/352
2008/0105137	A1	5/2008	Genslak et al.	
2009/0139412	A1	6/2009	Zhan	

* cited by examiner

Primary Examiner — Ricky Pham

(74) *Attorney, Agent, or Firm* — Alexander D. Raring

(57) **CLAIM**

The ornamental design for burrito maker, as shown and described.

DESCRIPTION

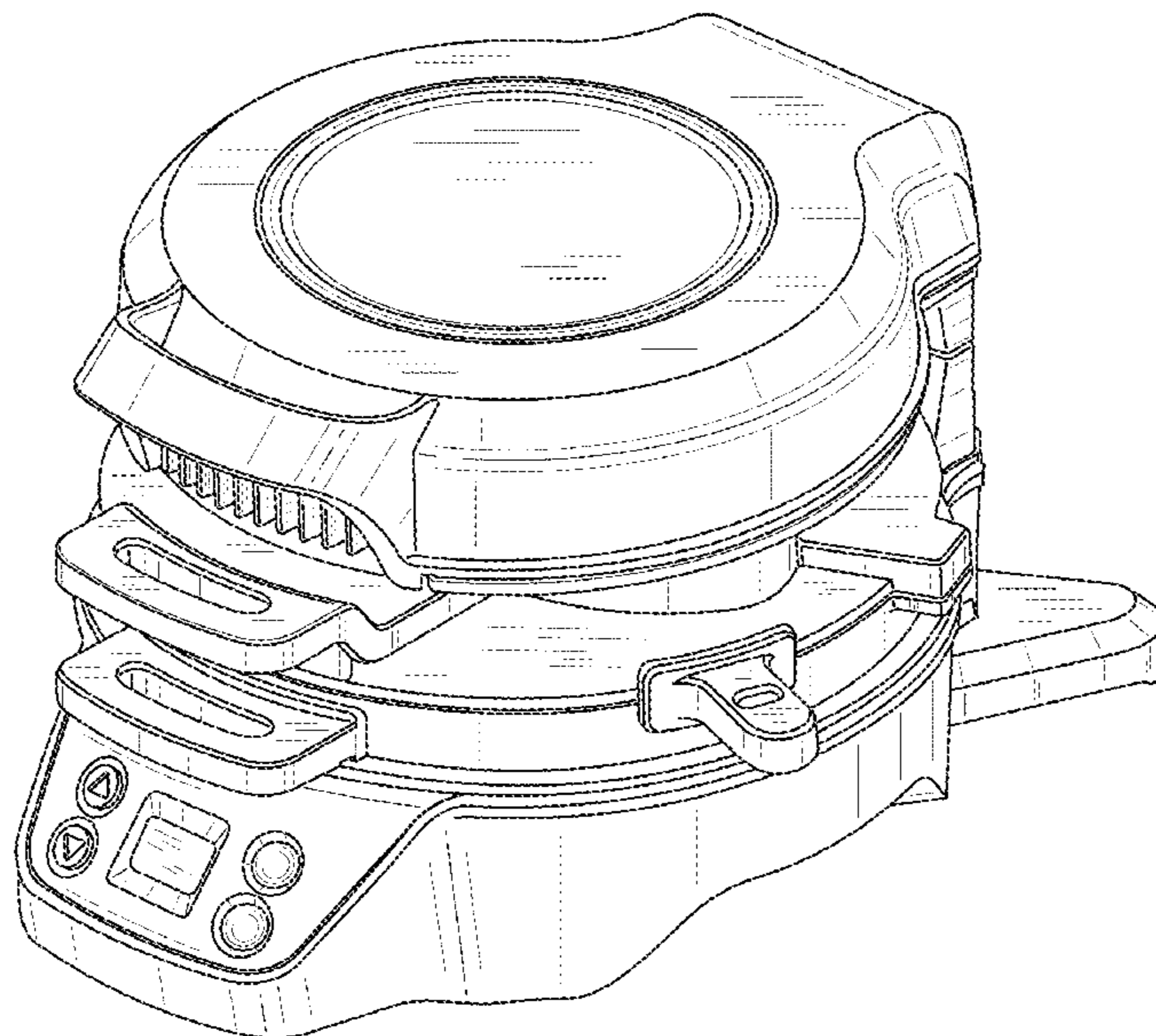
FIG. 1 is a perspective view as seen from the top, front and right side of burrito maker showing the new design;
 FIG. 2 is a left side view thereof;
 FIG. 3 is a front view thereof;
 FIG. 4 is a right side view thereof;
 FIG. 5 is a rear view thereof;
 FIG. 6 is a top view thereof; and,
 FIG. 7 is a bottom view thereof.
 Any broken line illustration of the structure in the drawings is not part of the claimed design.

1 Claim, 7 Drawing Sheets

(56) **References Cited**

U.S. PATENT DOCUMENTS

4,803,918	A	2/1989	Carbon	
D309,844	S *	8/1990	Storsberg	D7/352
4,967,650	A	11/1990	Weigle	
5,983,784	A	11/1999	Goldberg	
D419,823	S *	2/2000	Choi	D7/352
D467,766	S *	12/2002	Wanat	D7/352



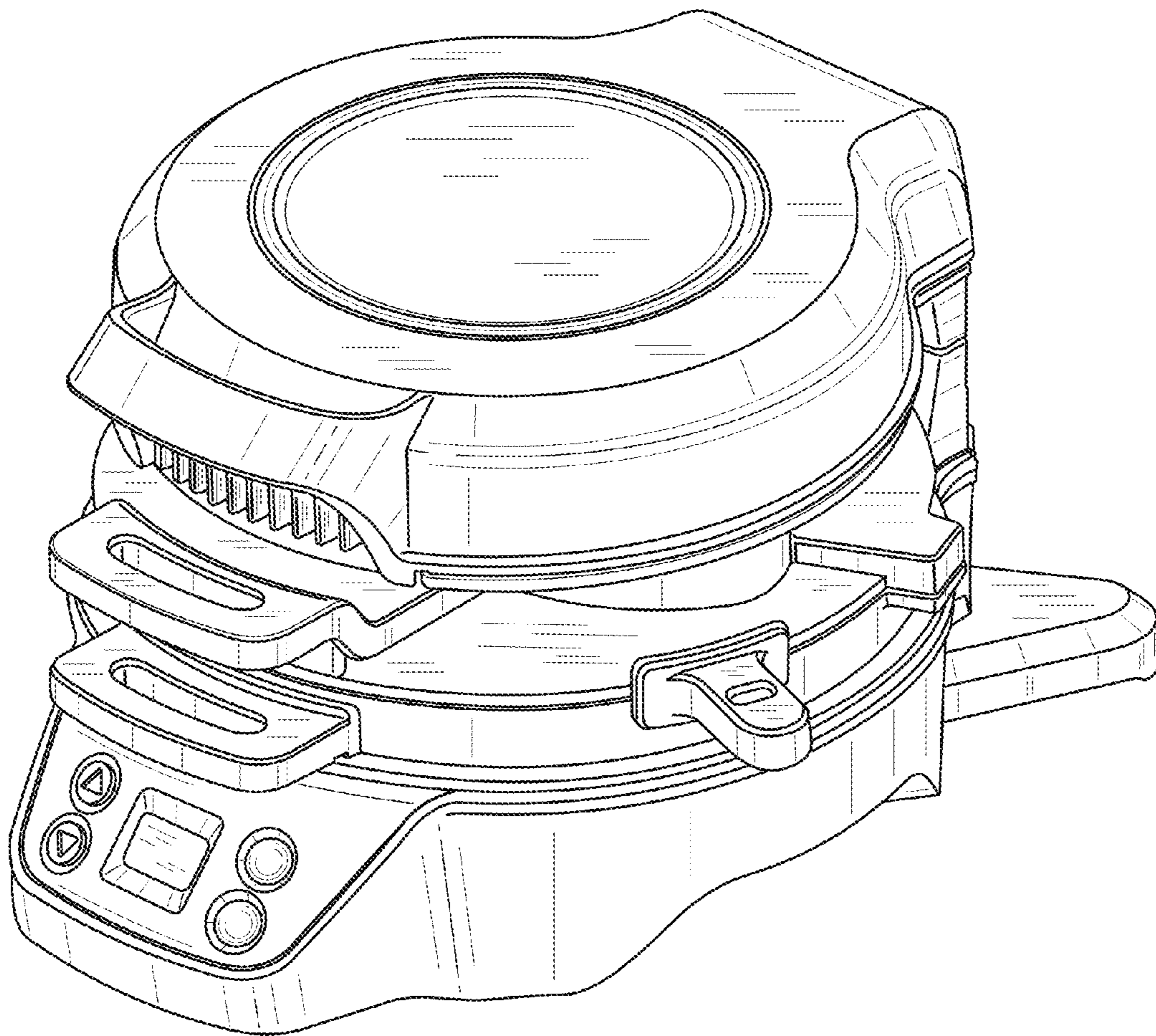


FIG. 1

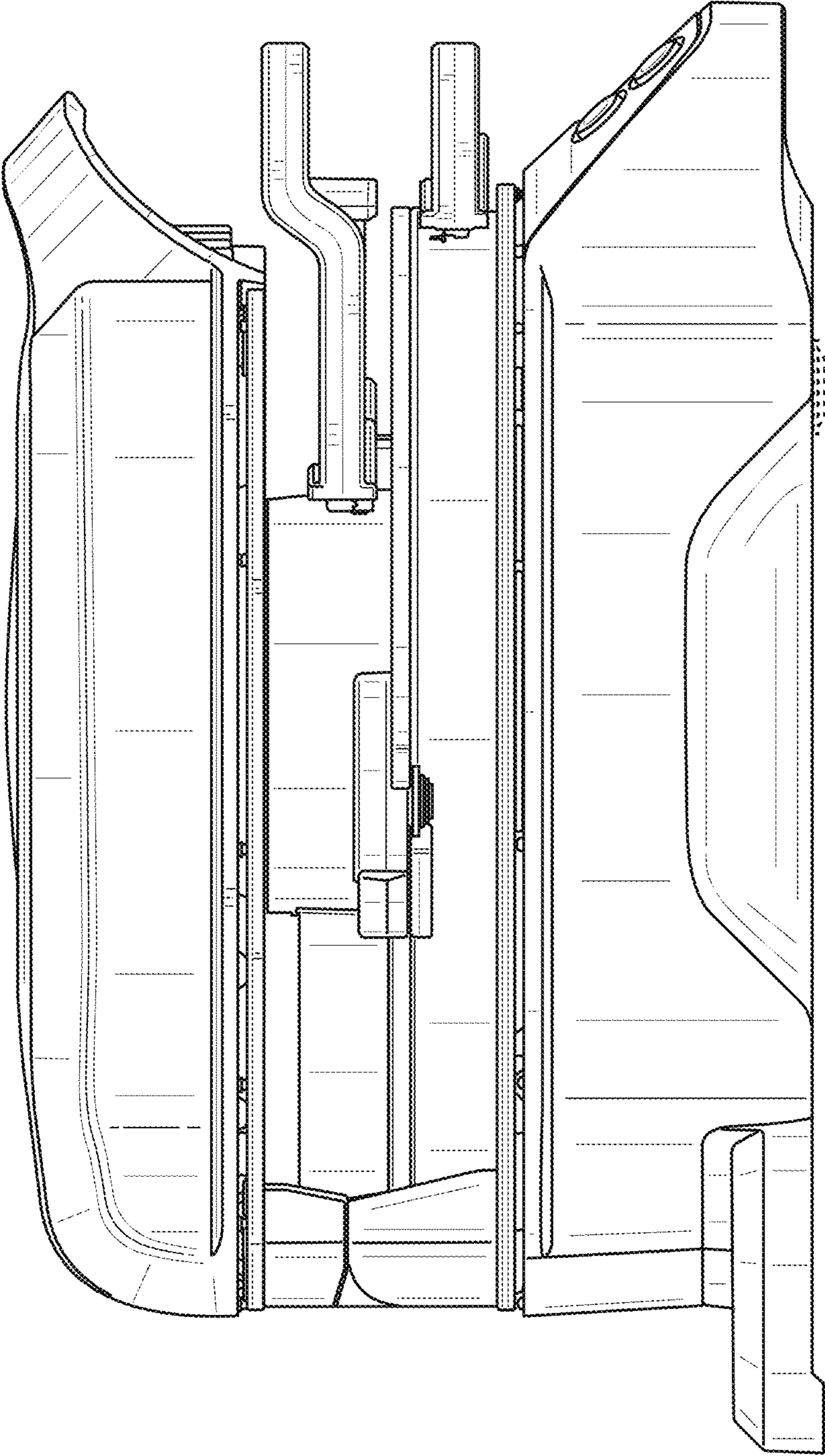


FIG. 2

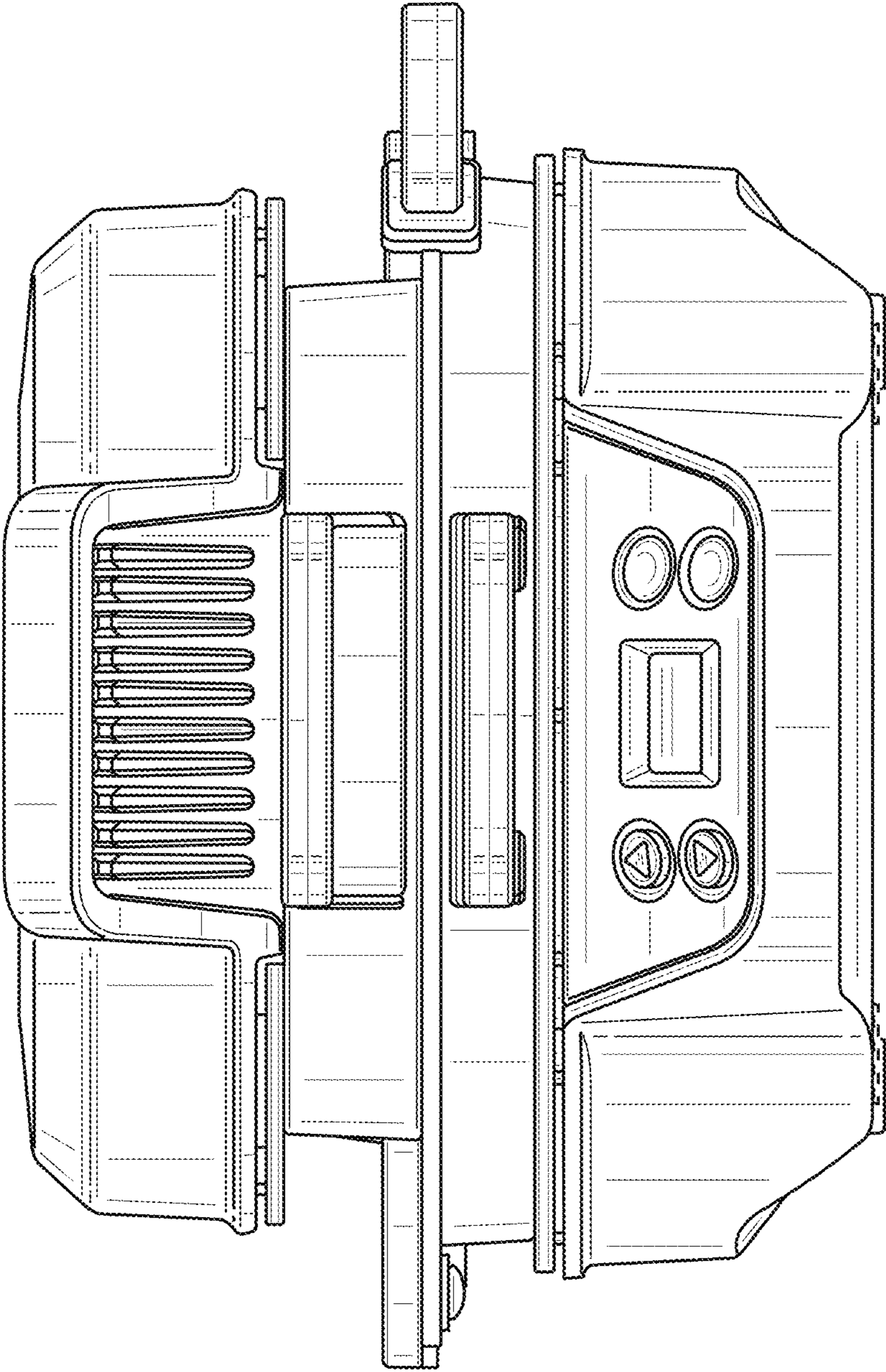


FIG. 3

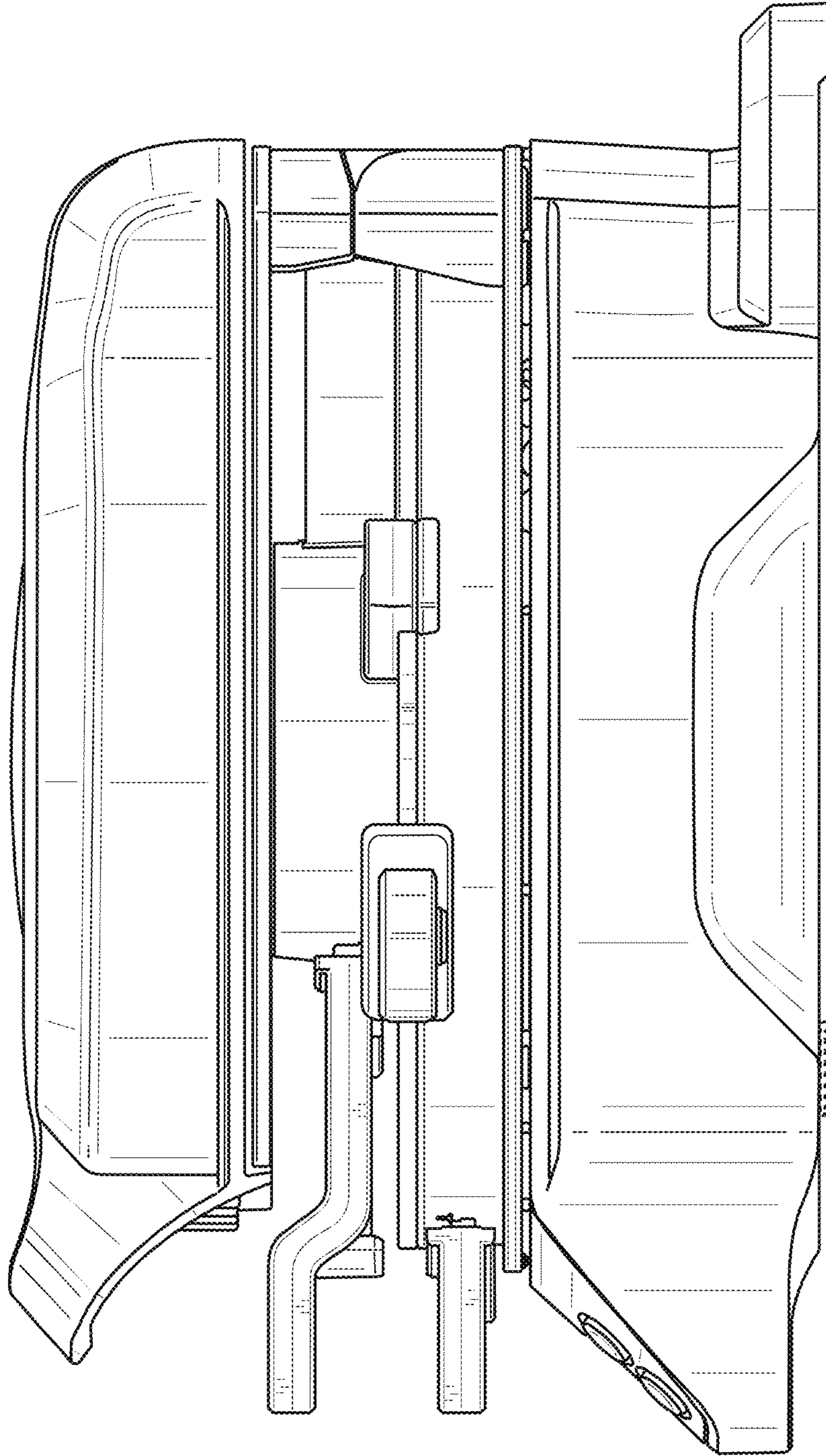


FIG. 4

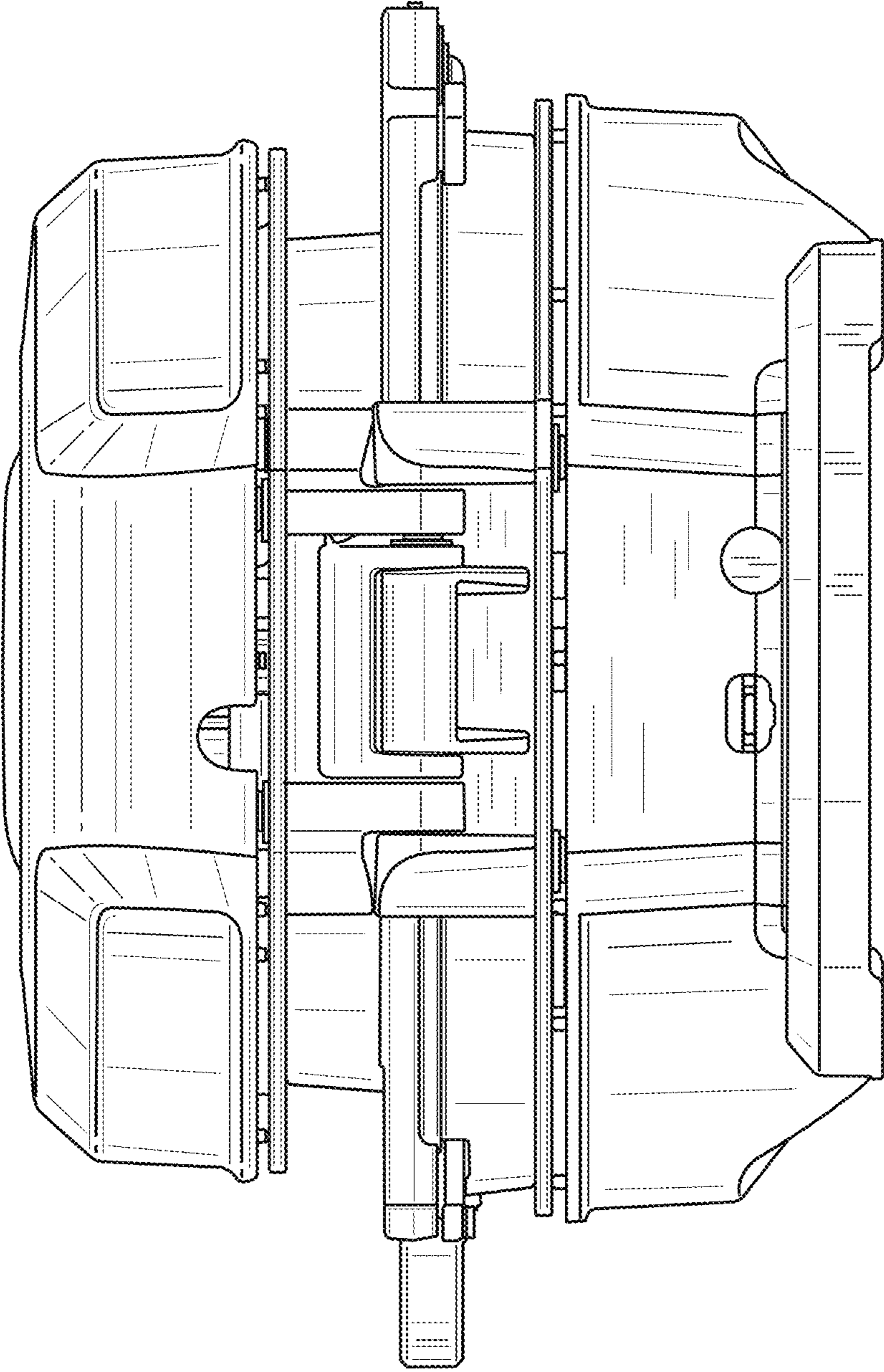


FIG. 5

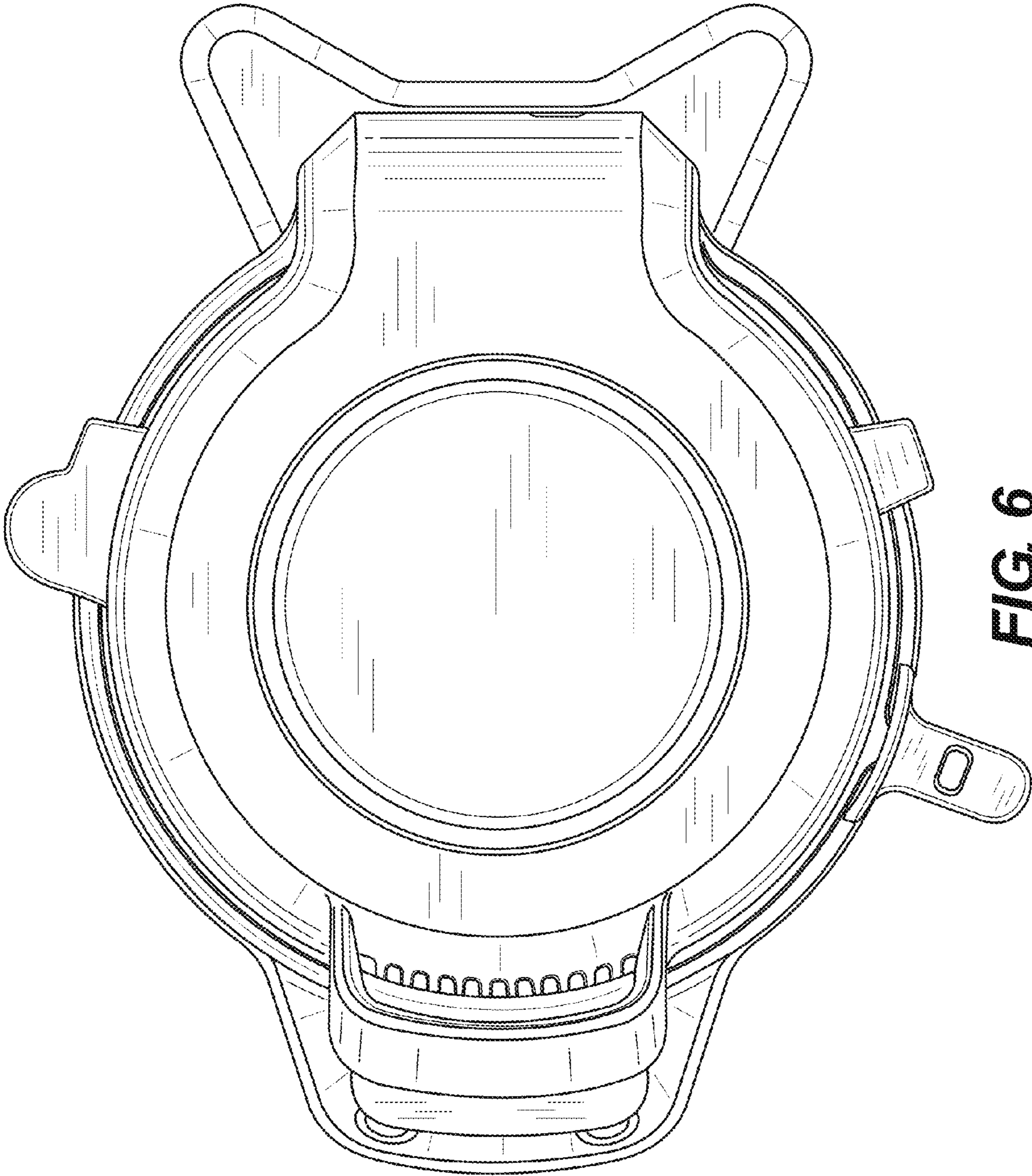


FIG. 6

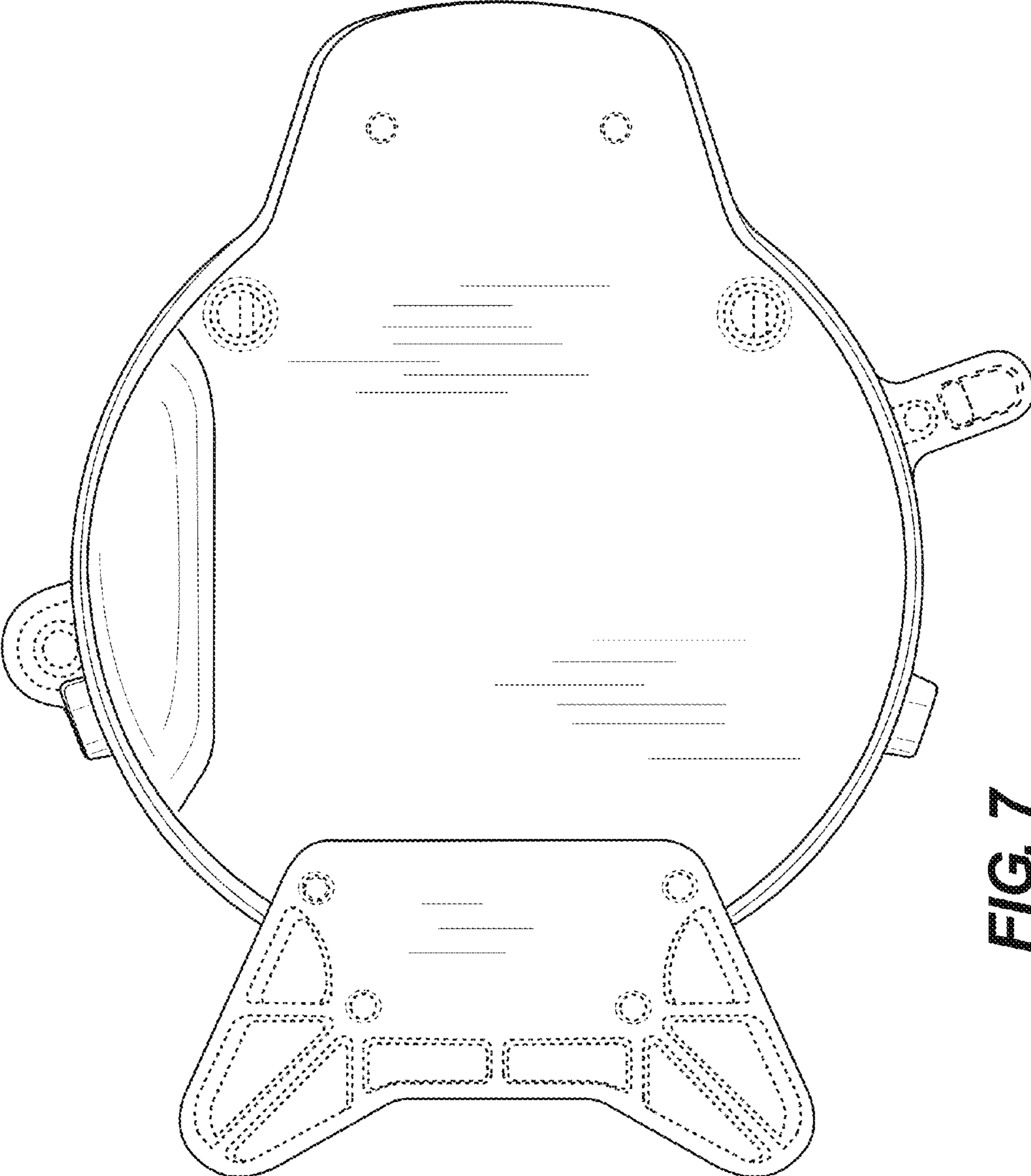


FIG. 7