



US00D755000S

(12) **United States Design Patent**
Lovati et al.

(10) **Patent No.:** **US D755,000 S**
(45) **Date of Patent:** **** May 3, 2016**

(54) **MACHINE FOR PREPARING BEVERAGES**

(71) Applicant: **Luigi Lavazza S.p.A.**, Turin (IT)

(72) Inventors: **Stefano Lovati**, Gaggiano (IT); **Luca Franzosi**, Cornaredo (IT)

(73) Assignee: **Luigi Lavazza S.p.A.**, Turin (IT)

(**) Term: **14 Years**

(21) Appl. No.: **29/496,636**

(22) Filed: **Jul. 15, 2014**

(51) **LOC (10) Cl.** **07-01**

(52) **U.S. Cl.**
USPC **D7/306; D7/311**

(58) **Field of Classification Search**
USPC D7/300, 313, 306-311, 305; 99/276,
99/280, 292, 299; 435/287.1; D23/207
CPC A47J 31/40; A47J 31/05; A47J 31/46;
C12G 3/02; C12G 3/08
See application file for complete search history.

(56) **References Cited**

U.S. PATENT DOCUMENTS

D595,992 S *	7/2009	Clark et al.	D7/309
D612,657 S *	3/2010	Luippold et al.	D7/306
D644,058 S *	8/2011	Cahen	D7/309
D649,392 S *	11/2011	Cahen	D7/307
D666,051 S *	8/2012	de Pra	D7/309
D666,451 S *	9/2012	Cheng	D7/309
D667,251 S *	9/2012	Cahen	D7/309
D674,232 S *	1/2013	Lavy et al.	D7/309
D674,233 S *	1/2013	Lavy et al.	D7/309
D678,710 S *	3/2013	Xie	D7/309
D695,054 S *	12/2013	De Pra	D7/309
D695,560 S *	12/2013	Cahen	D7/309
D713,667 S *	9/2014	Marsland	D7/306
D721,247 S *	1/2015	Manly et al.	D7/397

D723,317 S *	3/2015	Manly et al.	D7/306
D724,369 S *	3/2015	Cahen	D7/309
D728,987 S *	5/2015	Cahen	D7/309
D728,988 S *	5/2015	Warburton	D7/309

* cited by examiner

Primary Examiner — Marianne Pandozzi

(74) *Attorney, Agent, or Firm* — Nixon & Vanderhye P.C.

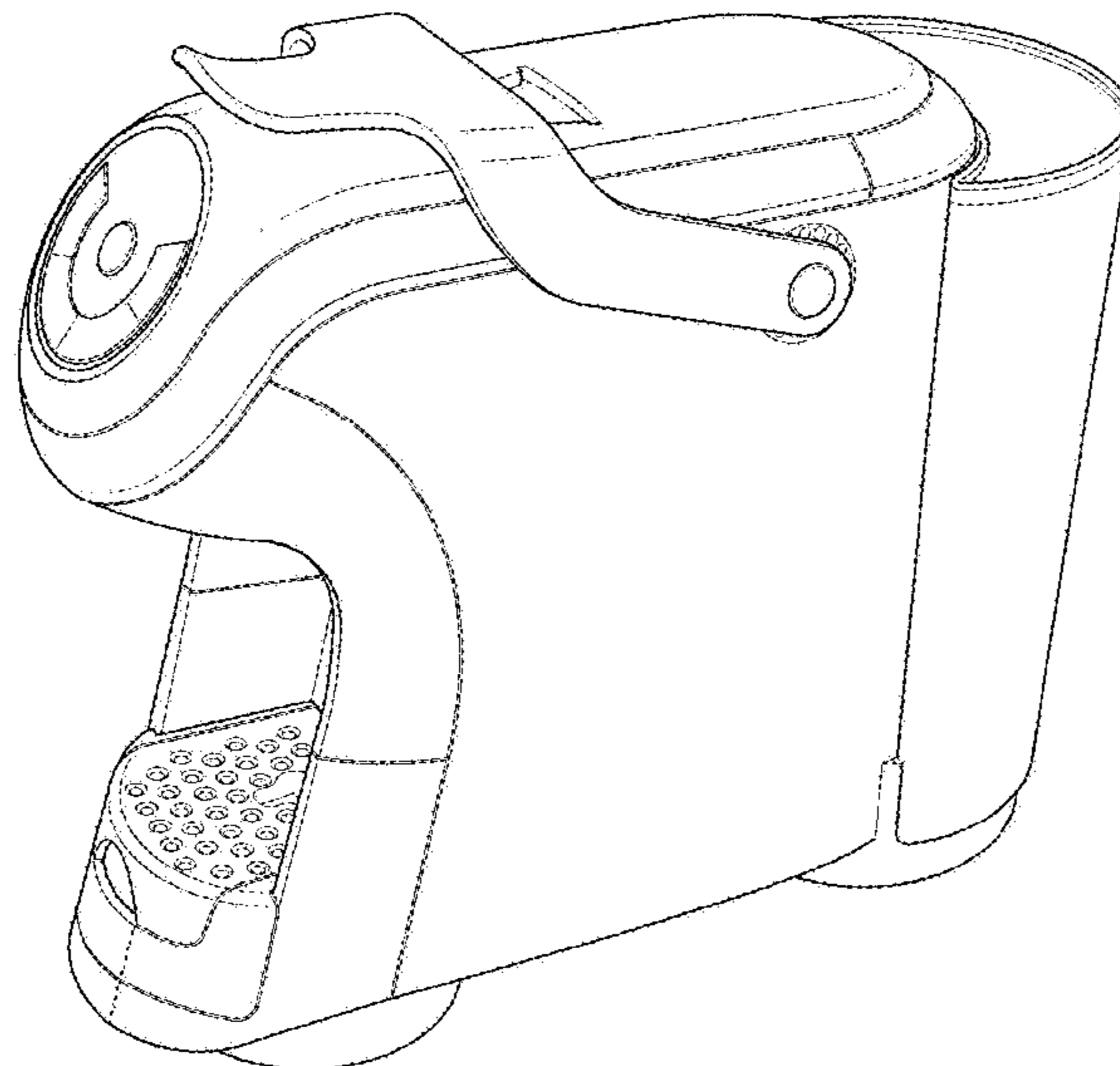
(57) **CLAIM**

The ornamental design for a machine for preparing beverages, as shown and described.

DESCRIPTION

FIG. 1 is a perspective view of a machine for preparing beverages showing a first embodiment of our new design; FIG. 2 is a rear elevational view thereof (first embodiment); FIG. 3 is a left elevational view thereof (first embodiment); FIG. 4 is a bottom plan view thereof (first embodiment); FIG. 5 is a right elevational view thereof (first embodiment); FIG. 6 is a front elevational view thereof (first embodiment); FIG. 7 is a top plan view thereof (first embodiment); FIG. 8 is a perspective view of a machine for preparing beverages showing a second embodiment of our new design; FIG. 9 is a rear elevational view thereof (second embodiment); FIG. 10 is a left elevational view thereof (second embodiment); FIG. 11 is a bottom plan view thereof (second embodiment); FIG. 12 is a right elevational view thereof (second embodiment); FIG. 13 is a front elevational view thereof (second embodiment); and, FIG. 14 is a top plan view thereof (second embodiment).

1 Claim, 14 Drawing Sheets



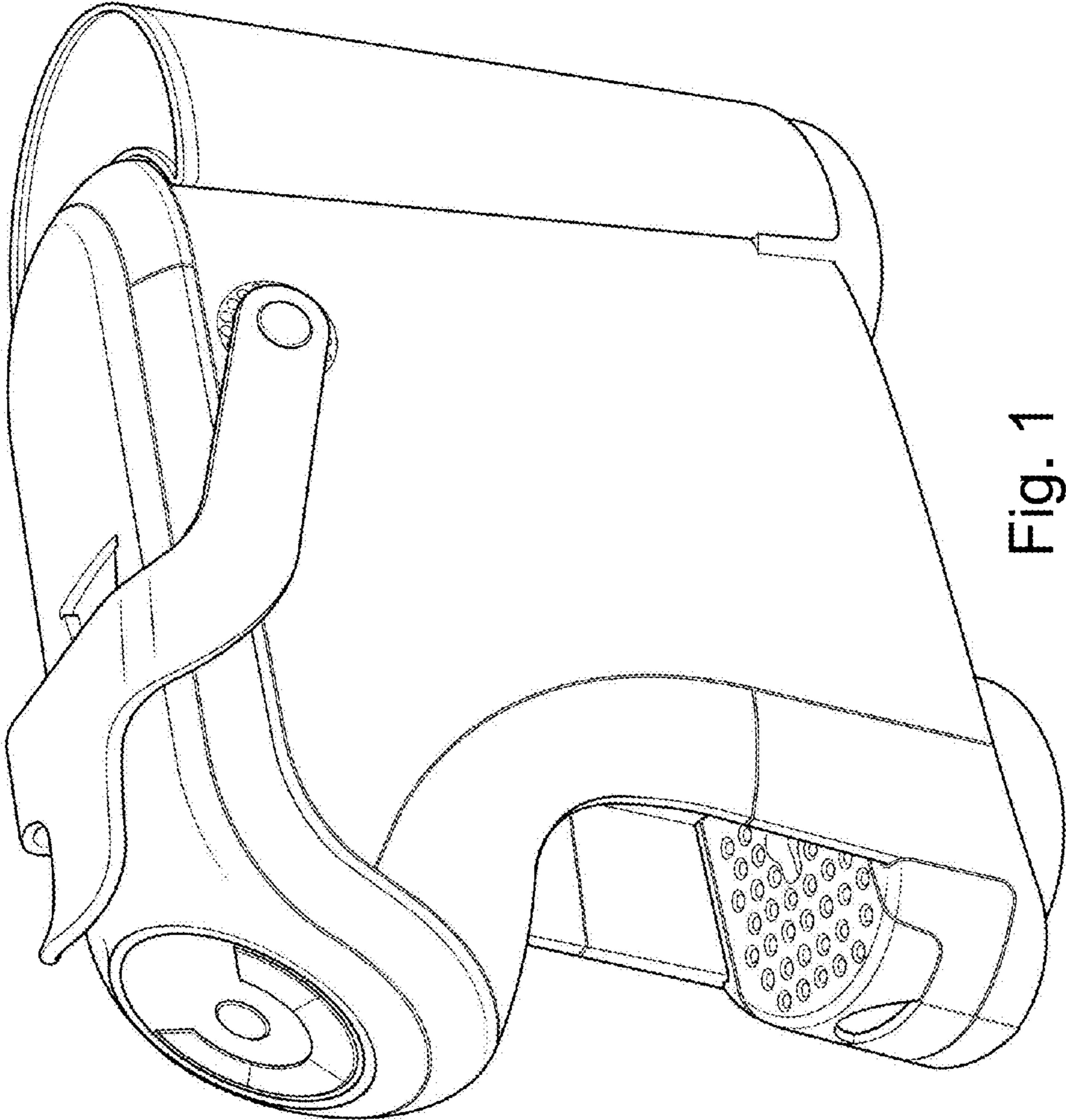


Fig. 1

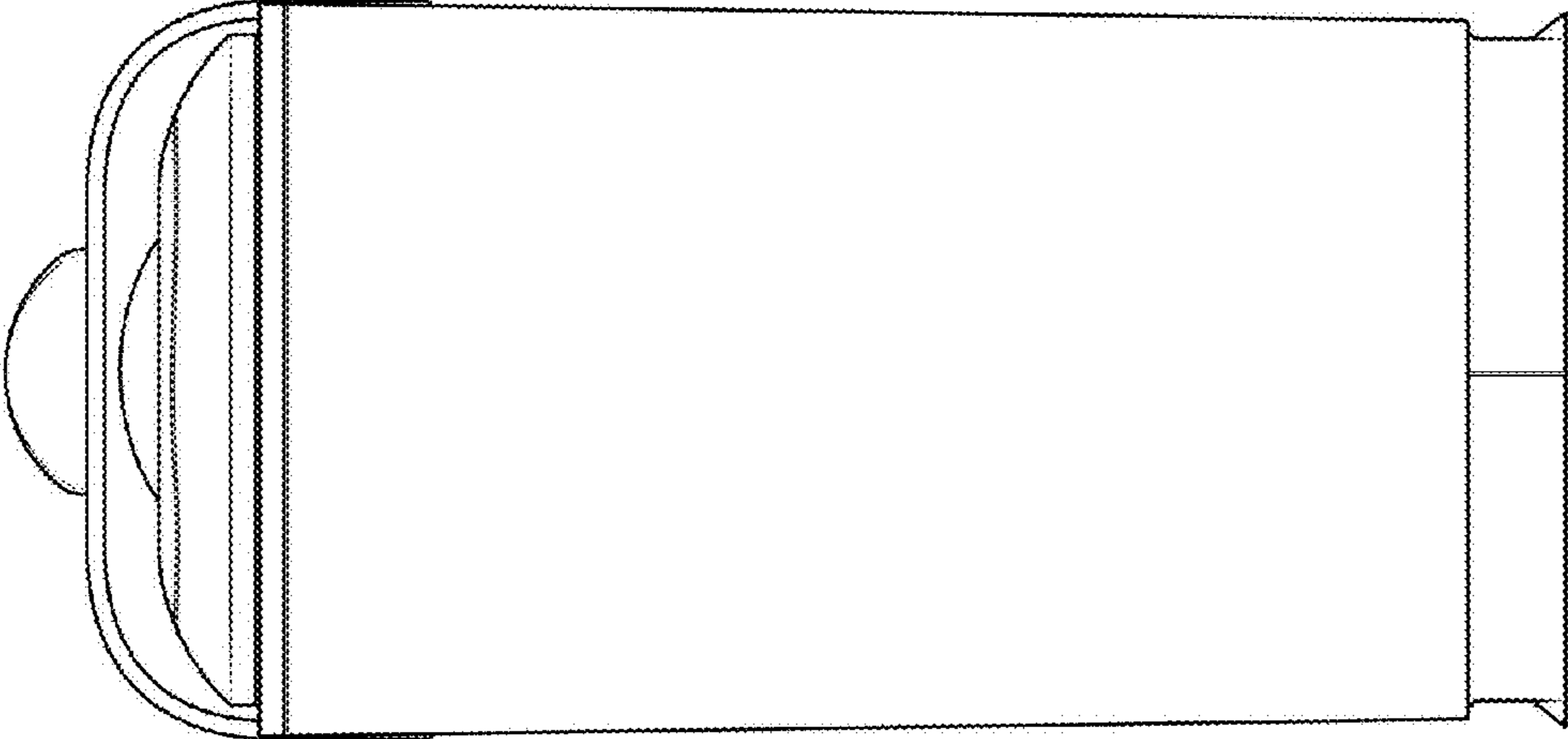


Fig. 2

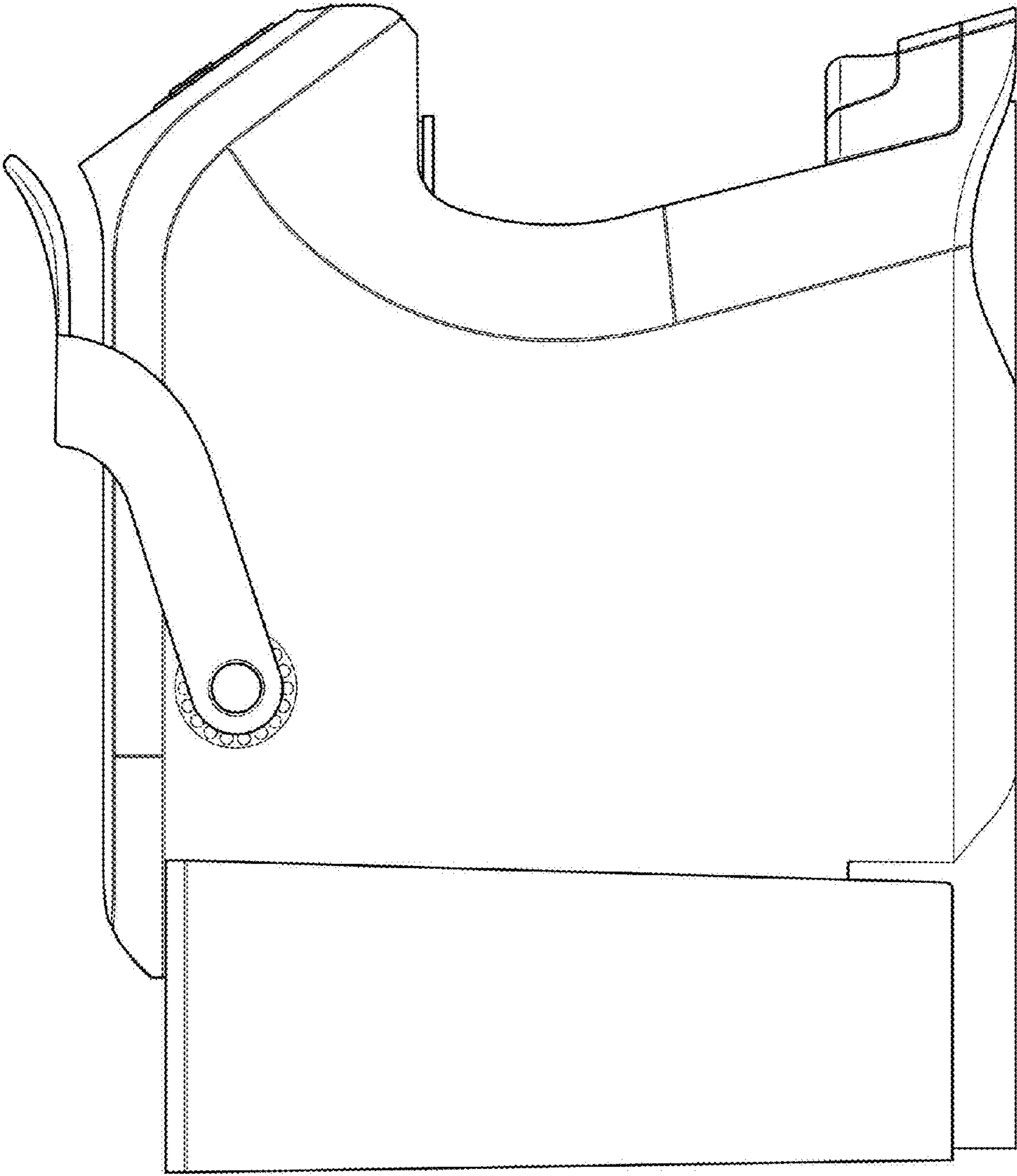


Fig. 3

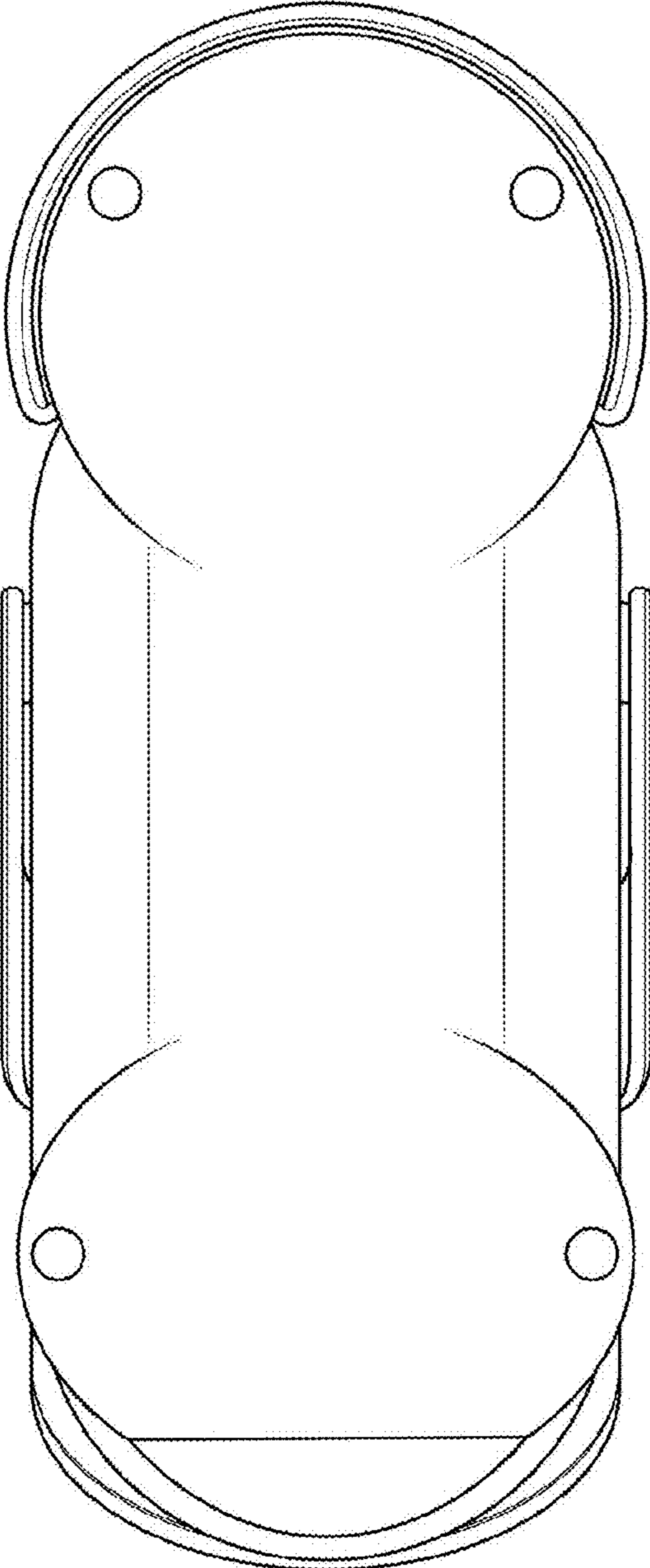


Fig. 4

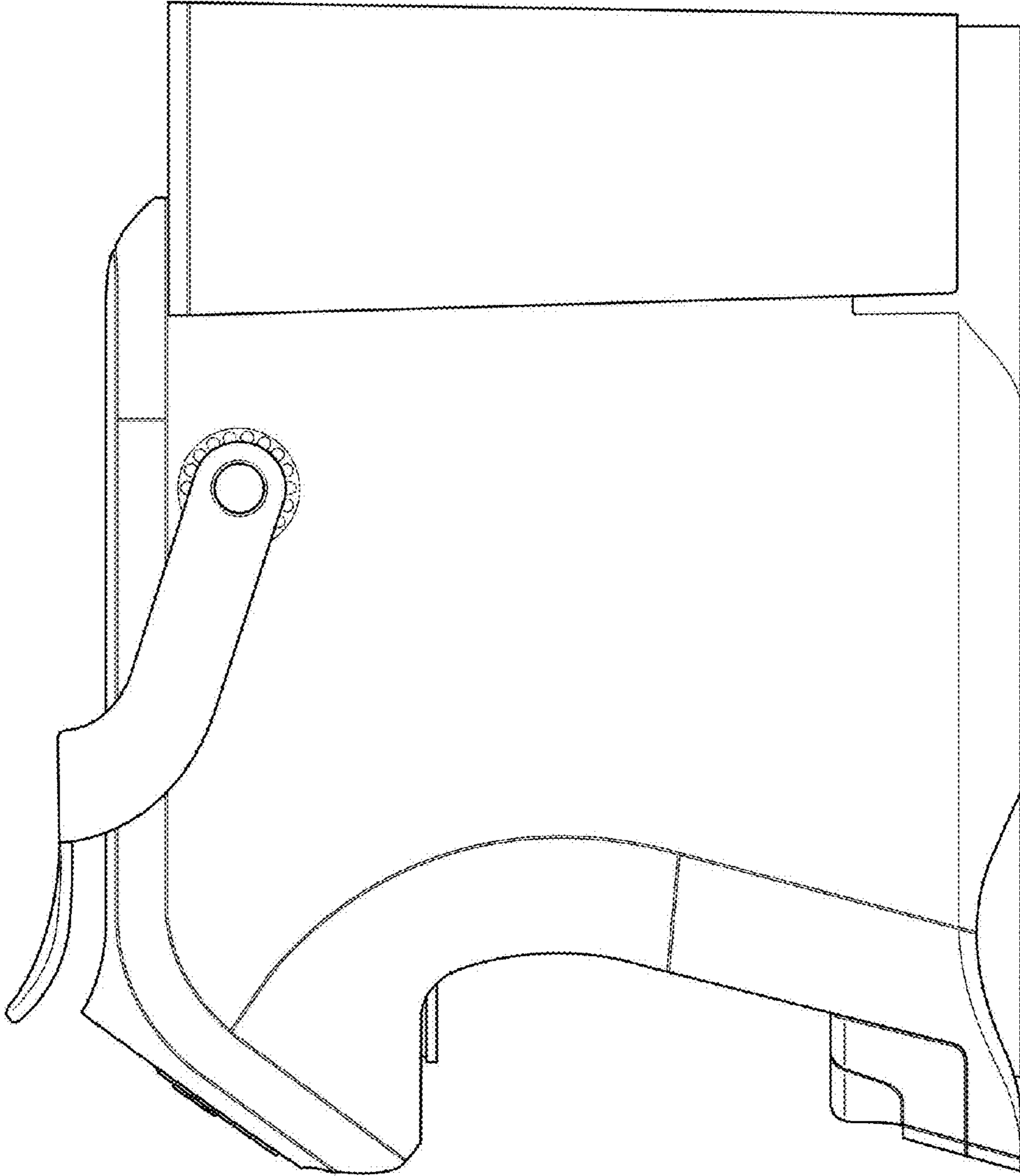


Fig. 5

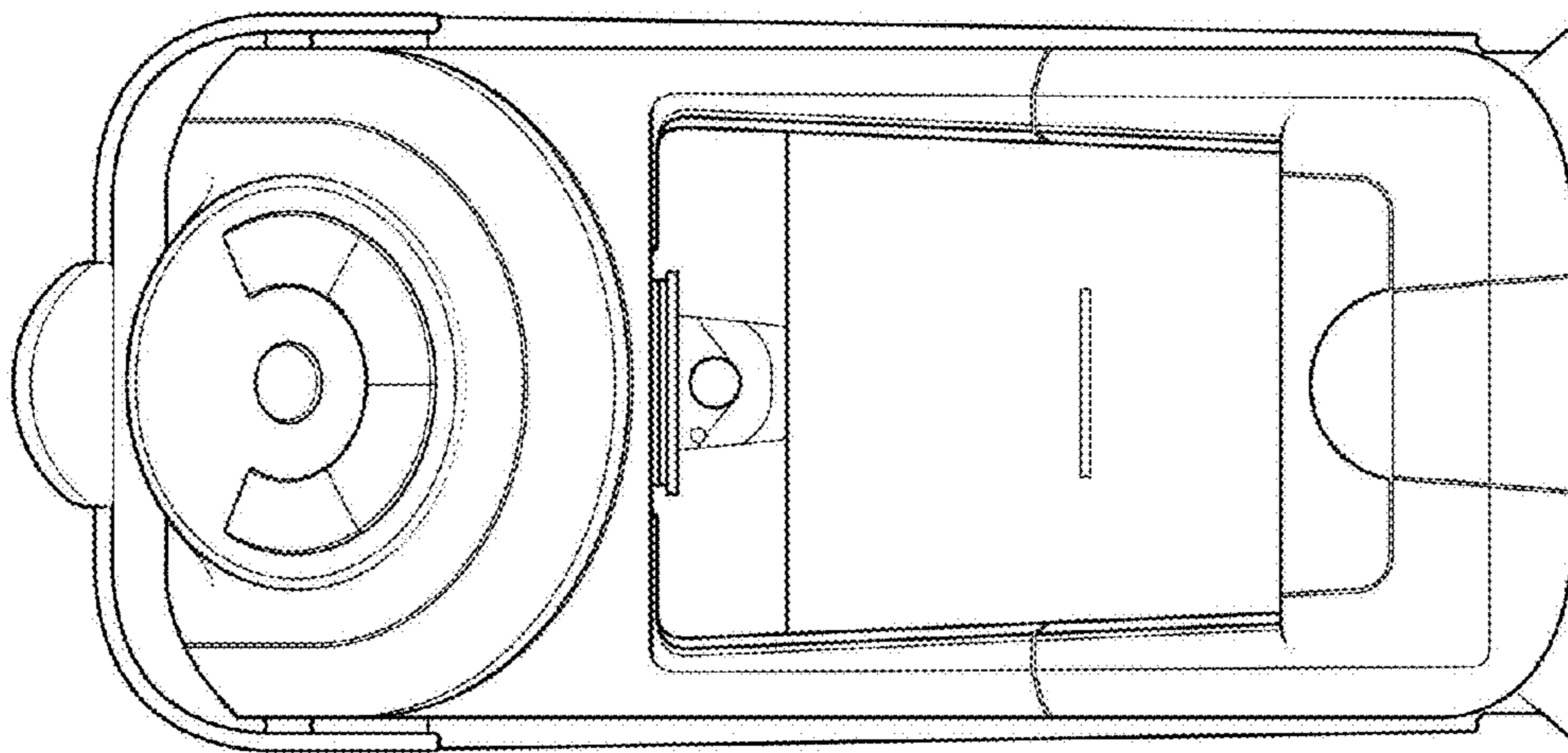


Fig. 6

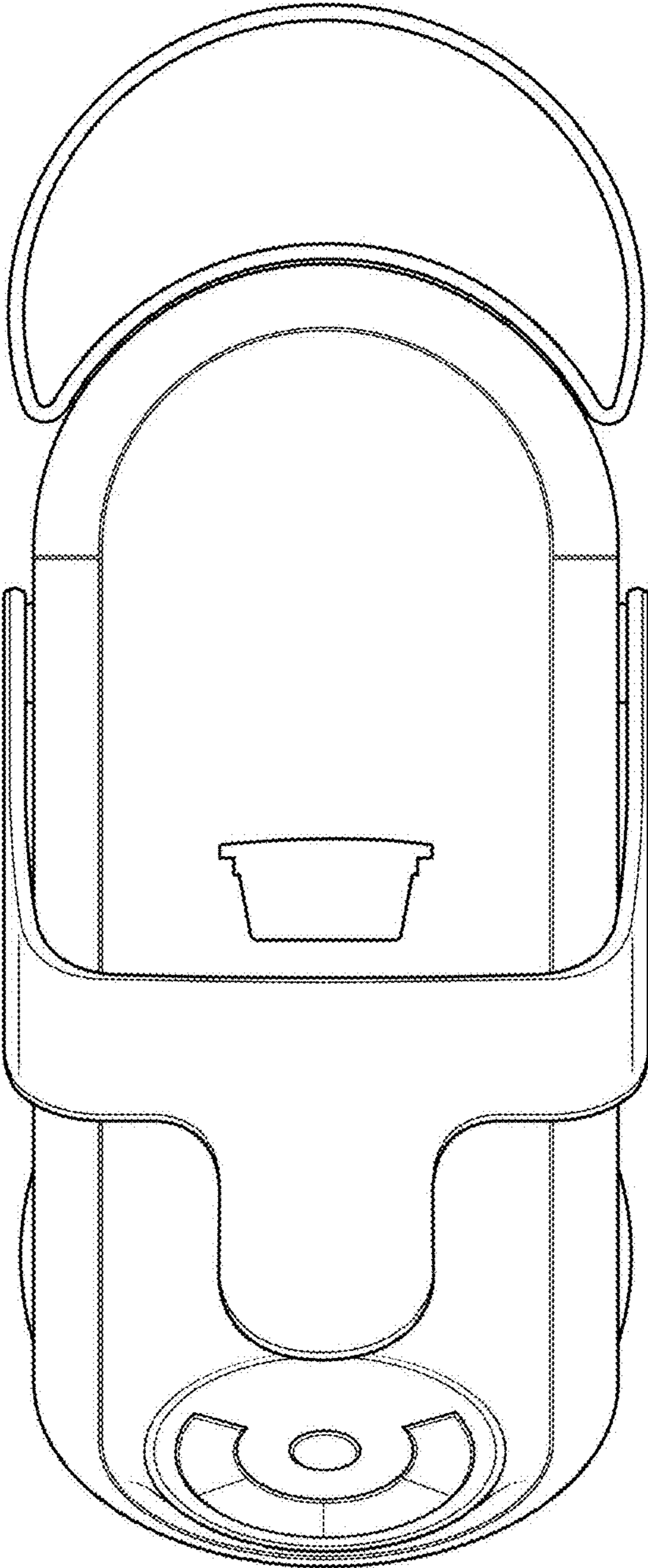


Fig. 7

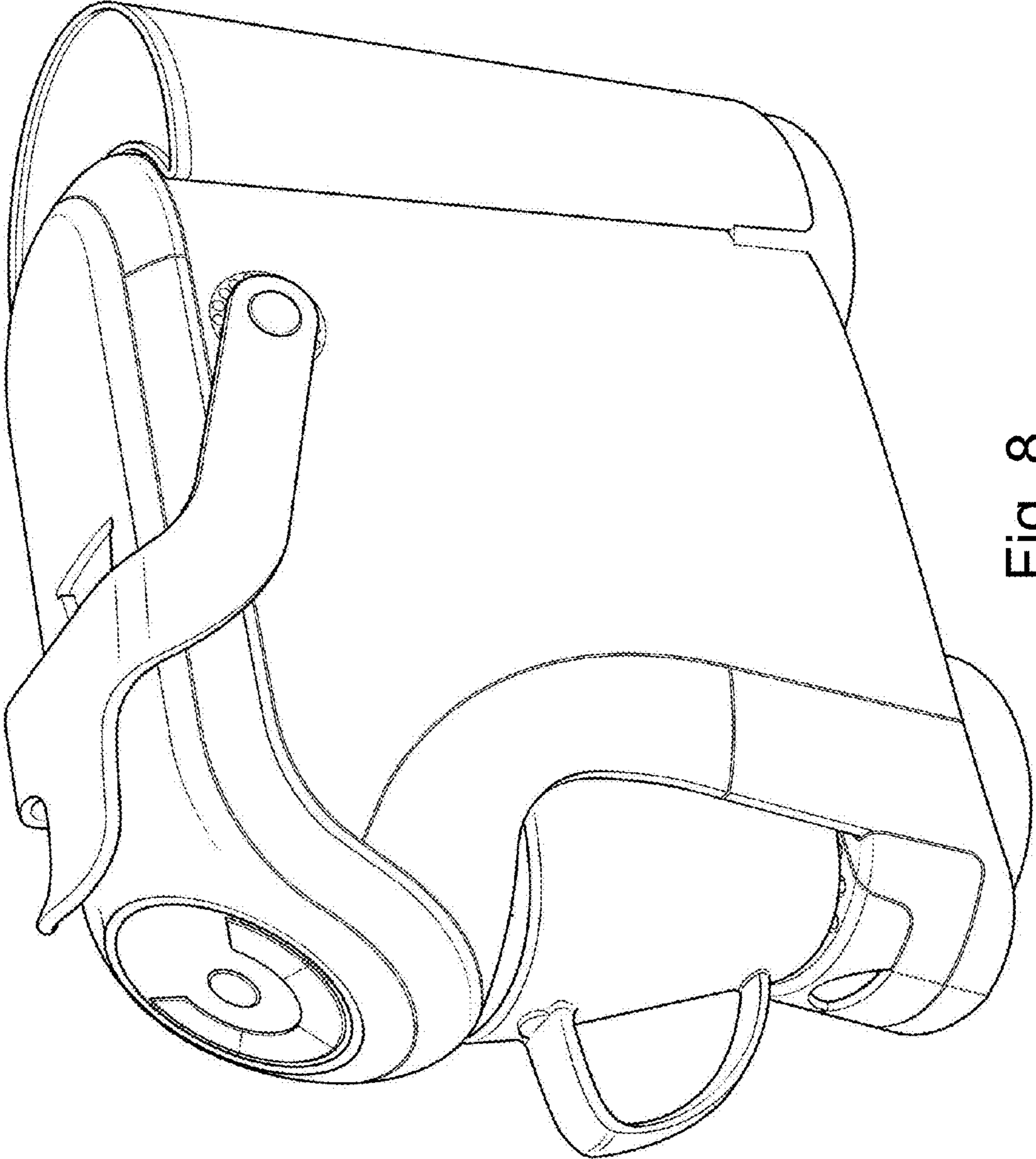


Fig. 8

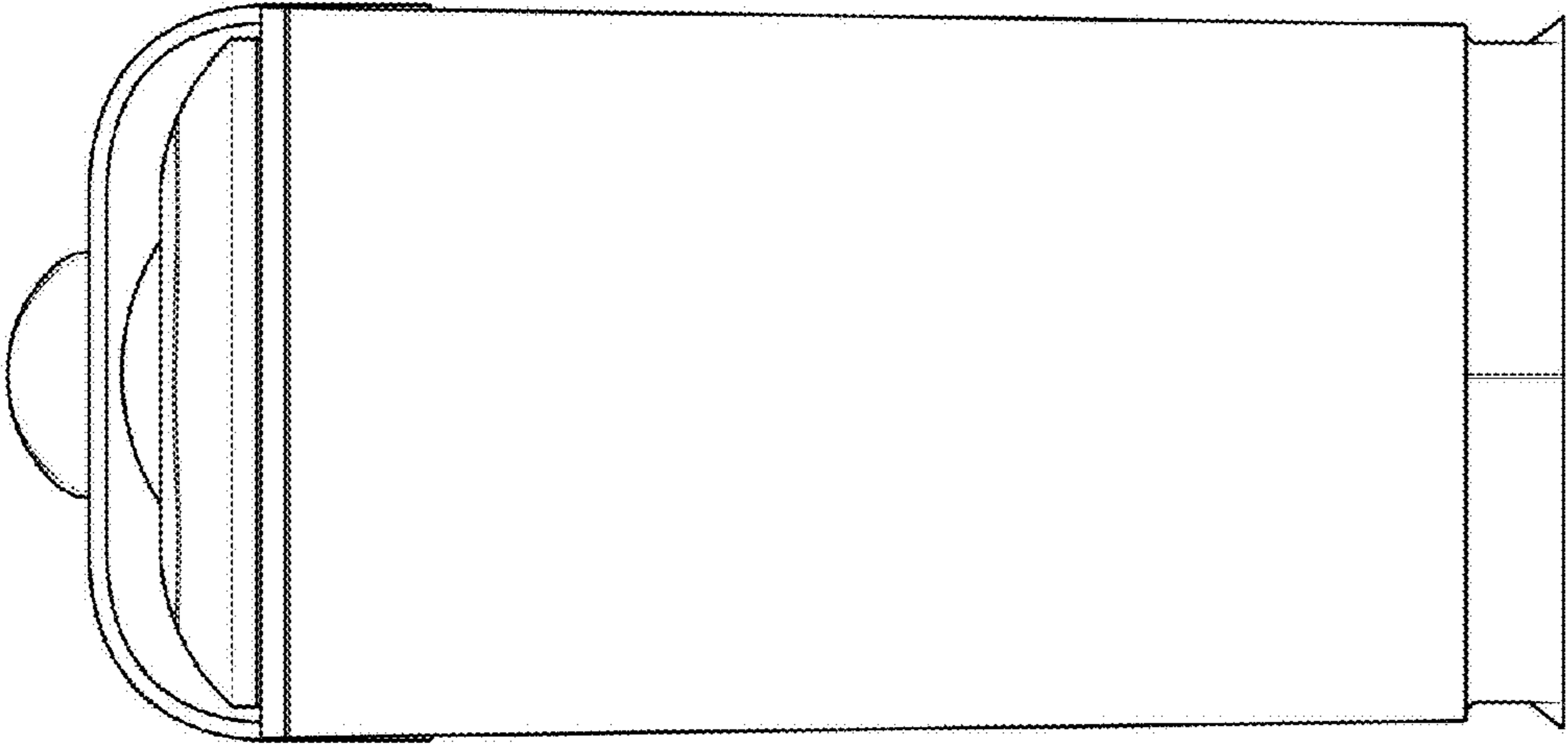


Fig. 9

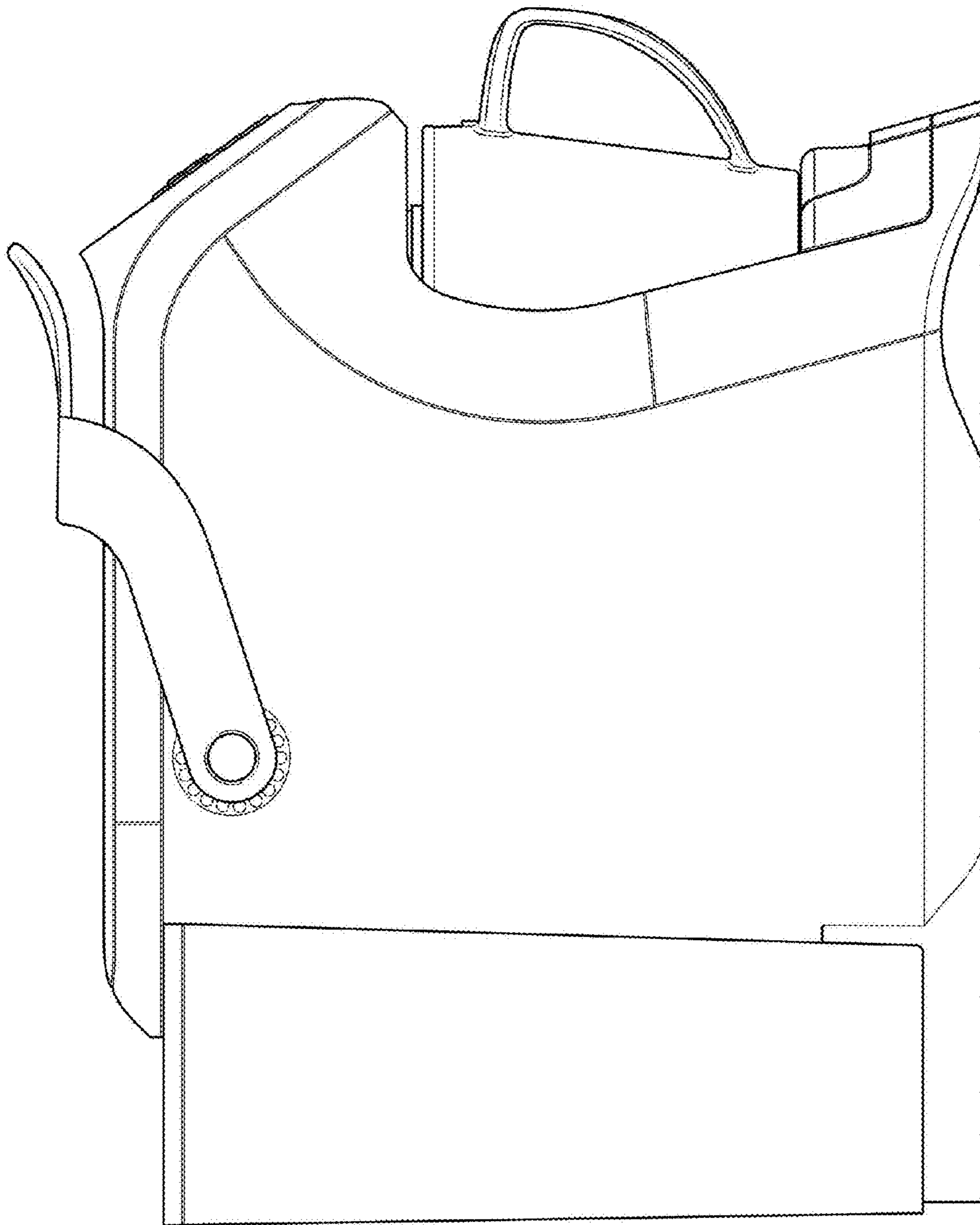


Fig. 10

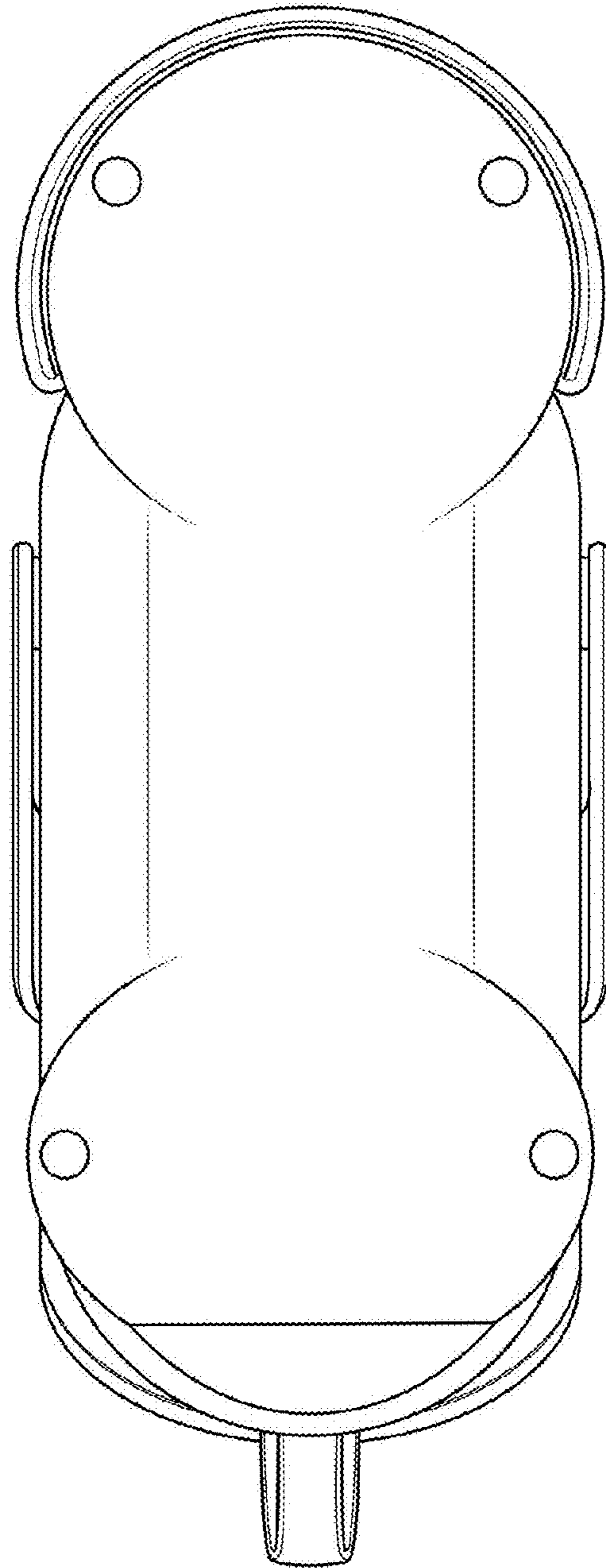


Fig. 11

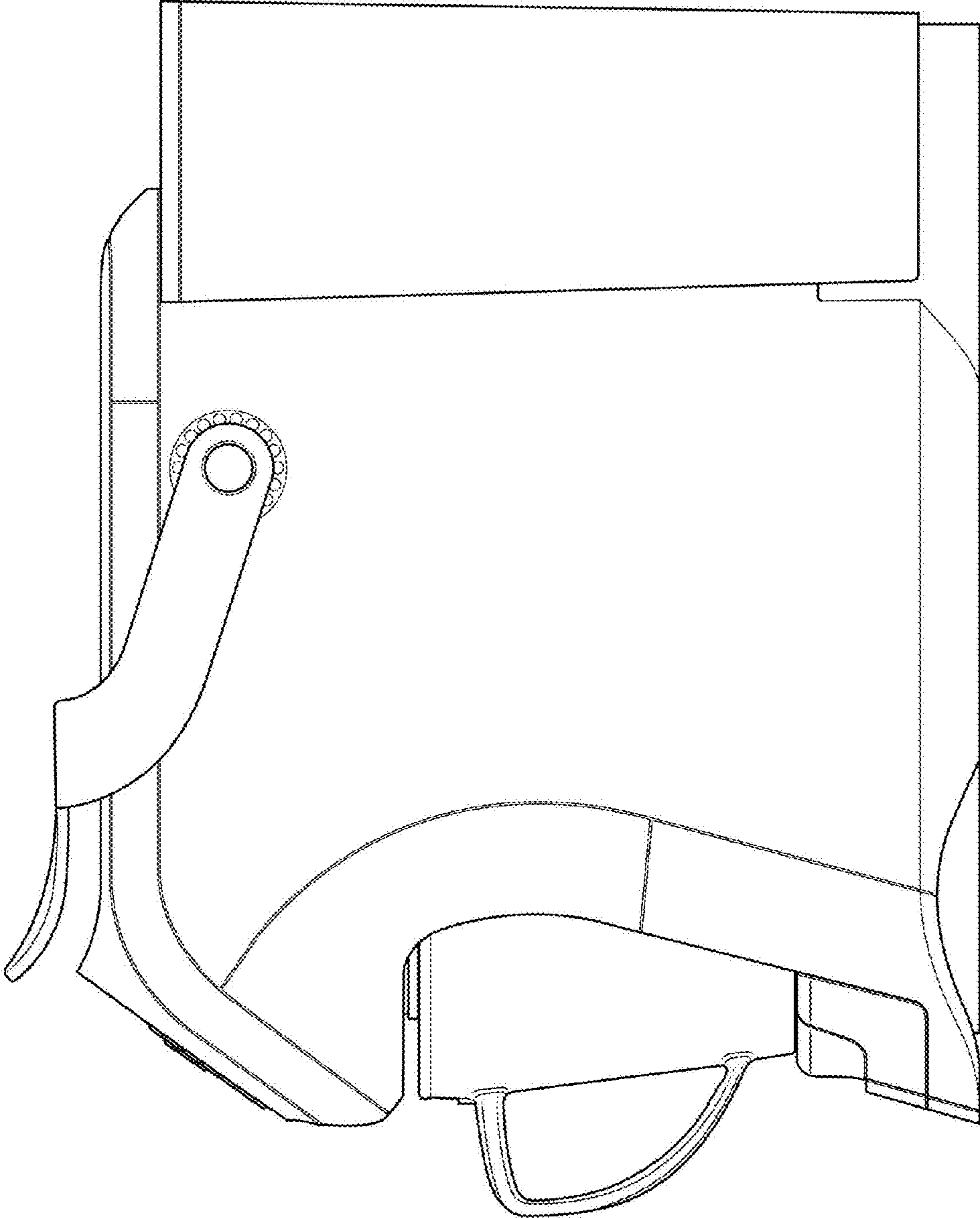


Fig. 12

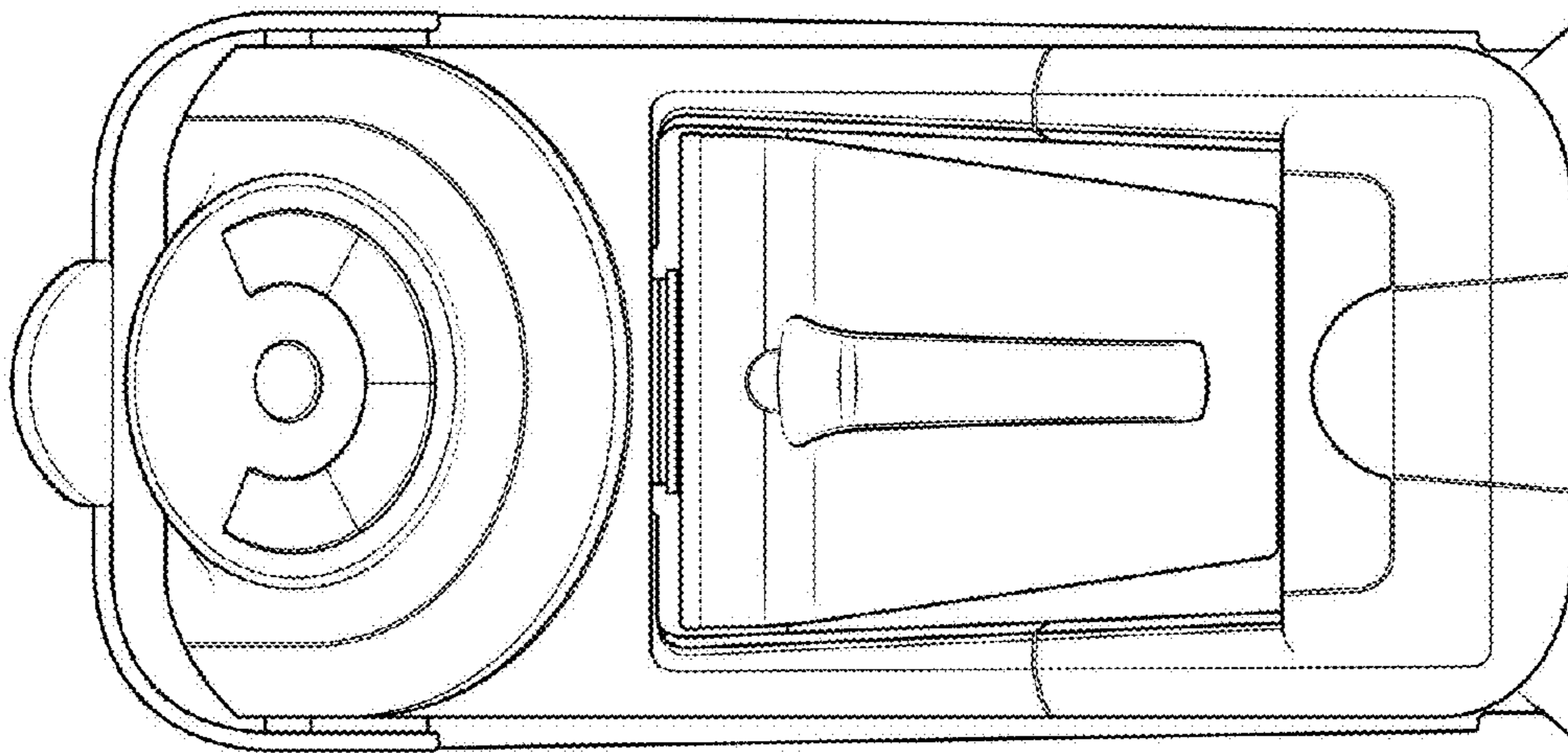


Fig. 13

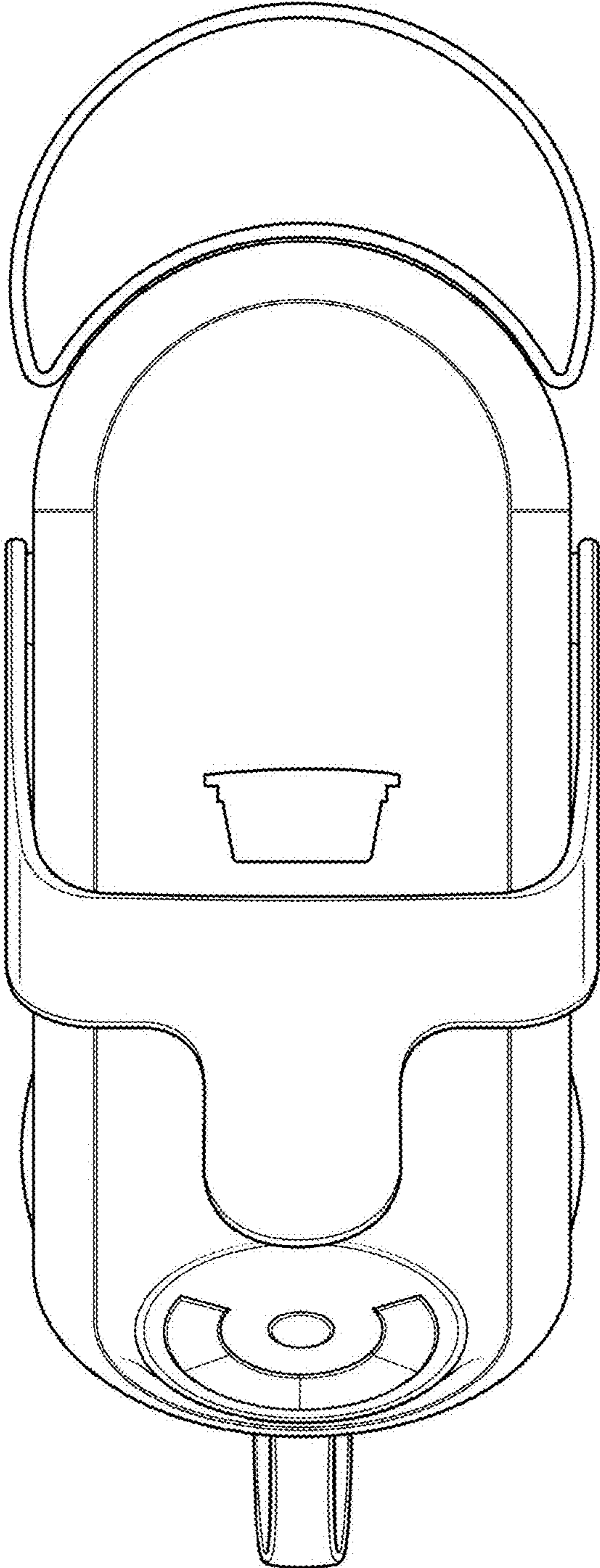


Fig. 14