



US00D754999S

(12) **United States Design Patent**
Gamelli

(10) **Patent No.:** **US D754,999 S**

(45) **Date of Patent:** **** May 3, 2016**

(54) **BEVERAGE CONTAINER**

(71) Applicant: **Mocktail Beverages Inc.**, Wenham, MA (US)

(72) Inventor: **William D. Gamelli**, Wenham, MA (US)

(73) Assignee: **Mocktail Beverages, Inc.**, Wenham, MA (US)

(**) Term: **14 Years**

(21) Appl. No.: **29/515,669**

(22) Filed: **Jan. 26, 2015**

Related U.S. Application Data

(60) Division of application No. 29/451,696, filed on Apr. 5, 2013, now Pat. No. Des. 727,671, which is a continuation of application No. 13/341,795, filed on Dec. 30, 2011, now abandoned.

(51) **LOC (10) Cl.** **07-01**

(52) **U.S. Cl.**
USPC **D7/300.1; D7/510**

(58) **Field of Classification Search**

USPC D7/507, 509, 510, 511, 512, 513, 523, D7/529, 532, 608, 391, 392.1, 300.2, D7/619.1, 514, 396.1, 396.2, 396.3, 605, D7/515, 517, 520, 342, 675, 900, 300.1, D7/533; D9/500, 440, 435, 449, 745, 436, D9/55, 562, 546, 629, 516, 502, 503, 504, D9/447, 689, 529; 220/669, 737, 675, 715; 229/402; 206/520; D3/202; D23/209
CPC A47G 19/2272; A47G 2019/2277; A47G 19/2216; A47G 19/22; B65D 2543/00351; B65D 2543/00046; B65D 3/06; A45F 2003/205; A45F 3/20

See application file for complete search history.

(56) **References Cited**

U.S. PATENT DOCUMENTS

300,867 A 6/1884 Hauck
324,173 A 8/1885 Seips

(Continued)

FOREIGN PATENT DOCUMENTS

EP 0 654 417 5/1995
WO WO 2010/126341 A2 11/2010
WO WO 2011/089505 7/2011

OTHER PUBLICATIONS

K&D Wines and Spirits, Cointreau Cocktail Recipes and Shaker, Sep. 9, 2010; retrieved from internet www.kdwine.com/r/article/9/9-Cointreau.

(Continued)

Primary Examiner — Marianne Pandozzi

Assistant Examiner — Jae Liang

(74) *Attorney, Agent, or Firm* — Hamilton, Brook, Smith & Reynolds, P.C.

(57) **CLAIM**

The ornamental design for a beverage container, as shown and described.

DESCRIPTION

This application is related to U.S. Design patent application Ser. No. 29/451,689, entitled "Beverage Container for Retail Sale" by William D. Gamelli and Craig Sawicki, filed on even date herewith, which presents further embodiments of the present invention.

FIG. 1 is a perspective view of a beverage container showing my new design;

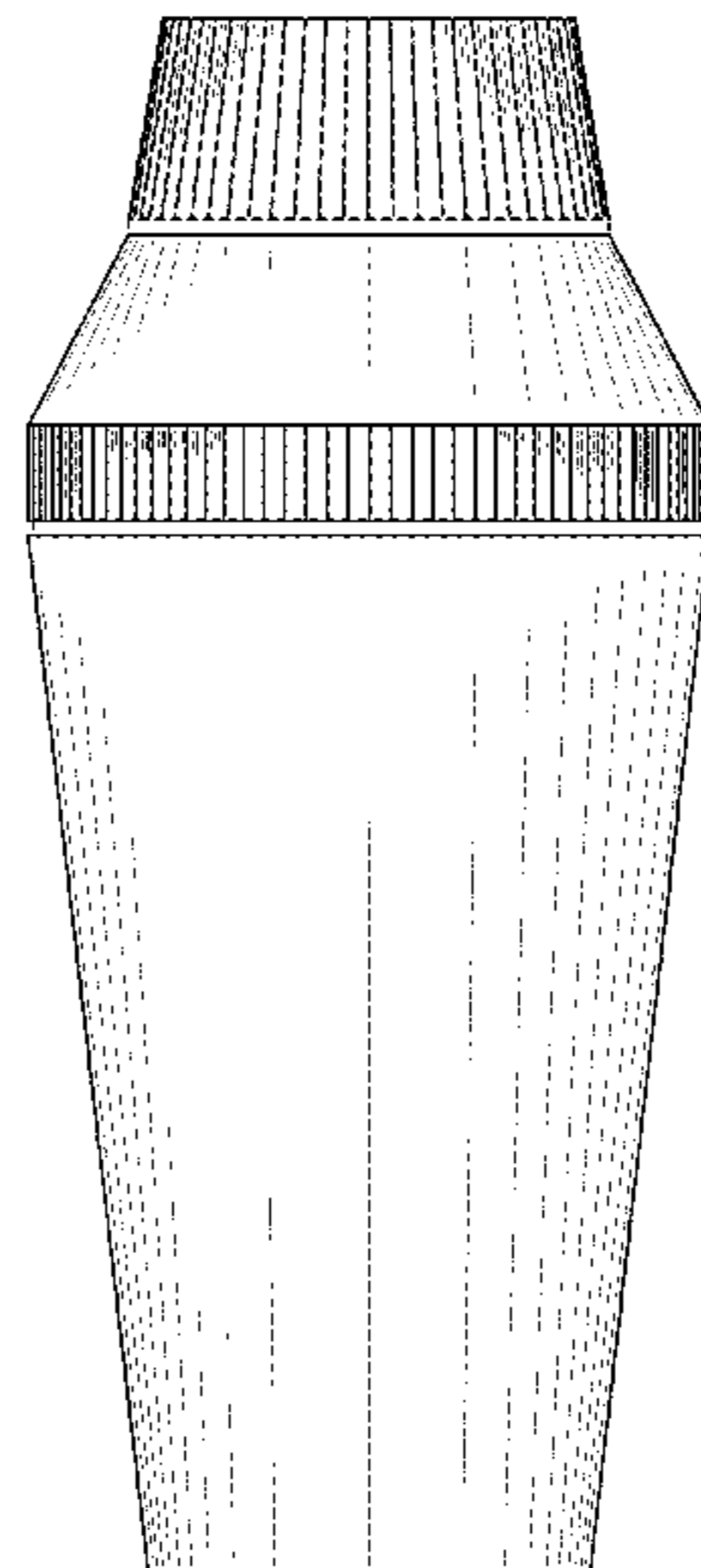
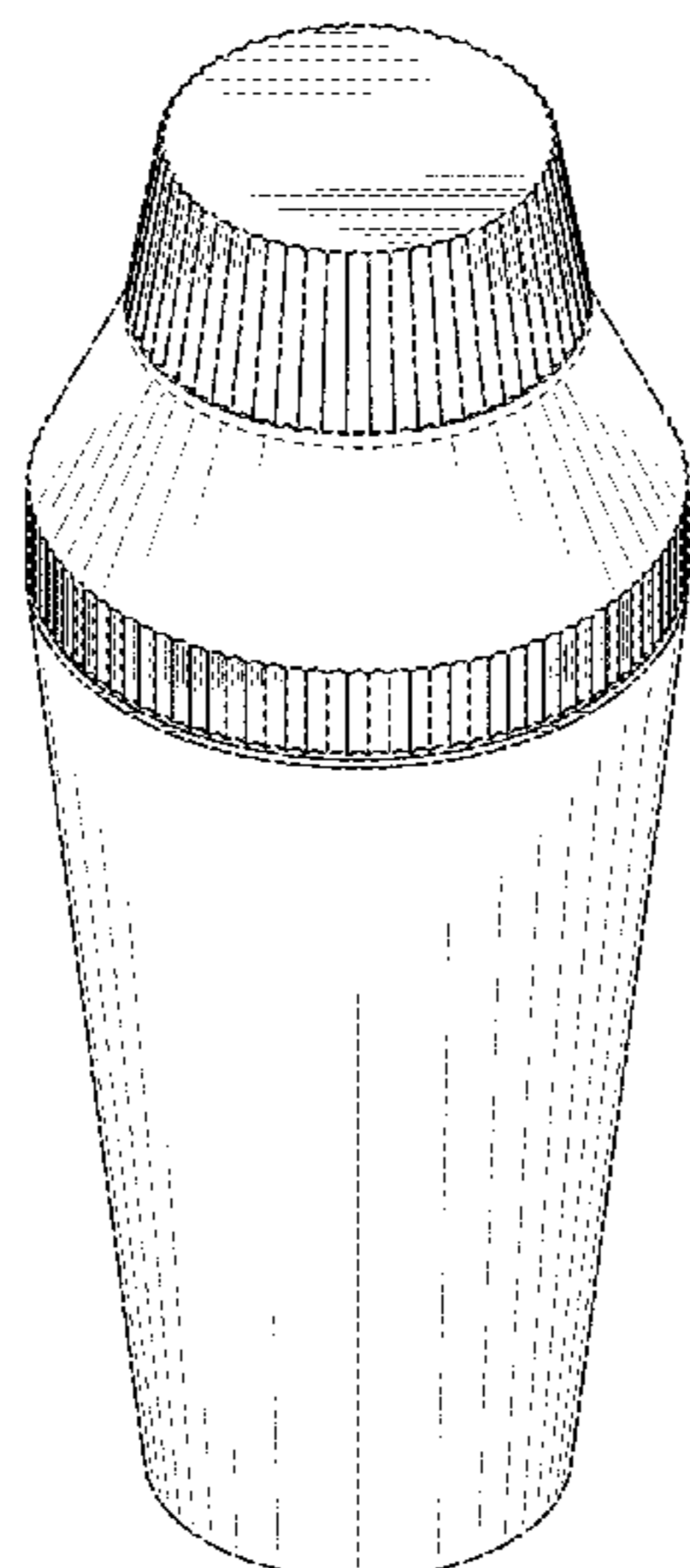
FIG. 2 is a top plan view thereof;

FIG. 3 is a side elevational view thereof; and,

FIG. 4 is an exploded view thereof.

In the drawings, the broken lines depict environmental subject matter only and form no part of the claimed design.

1 Claim, 2 Drawing Sheets



(56)

References Cited

U.S. PATENT DOCUMENTS

1,042,751 A 10/1912 Barker
 1,201,284 A 10/1916 Gilchrist
 1,568,691 A 1/1926 Pierson
 1,657,927 A 1/1928 Heinzen
 1,740,223 A * 12/1929 Burvenick A47J 43/27
 220/568
 1,748,483 A 2/1930 Hyde
 1,765,129 A * 6/1930 Cooke A47J 43/27
 215/40
 D96,965 S 9/1935 Fuerst
 2,013,615 A 9/1935 Fontan
 2,090,320 A 8/1937 Amick
 2,090,998 A 8/1937 Gessler
 D116,858 S 9/1939 Martin
 2,385,648 A 9/1945 Prager
 2,433,248 A 12/1947 Swcier
 2,725,733 A 12/1955 Davis
 D189,164 S 11/1960 Hollister
 D199,413 S * 10/1964 Levinson D7/608
 D210,004 S 1/1968 Pettengill
 3,640,416 A 2/1972 Temple
 3,765,559 A * 10/1973 Saucy B65D 81/3881
 215/12.1
 3,856,138 A 12/1974 Maekawa et al.
 4,203,517 A 5/1980 Hildebrandt et al.
 D283,595 S 4/1986 Fortuna et al.
 D283,793 S 5/1986 Fortuna et al.
 4,682,689 A 7/1987 Pereira et al.
 4,793,475 A 12/1988 Itzel
 4,872,764 A 10/1989 McClean
 D304,551 S 11/1989 Desgrippes
 D364,566 S 11/1995 Douer
 5,465,835 A 11/1995 Schumacher et al.
 5,547,275 A 8/1996 Lillelund et al.
 5,588,550 A 12/1996 Meyer
 D384,236 S 9/1997 Douer
 D390,462 S 2/1998 Mao
 D424,444 S 5/2000 Lefebvre
 D429,593 S 8/2000 Thuma
 6,159,513 A 12/2000 Judlowe et al.
 D438,758 S 3/2001 Tal et al.
 D439,111 S * 3/2001 Tal D7/510
 D480,590 S 10/2003 Linz et al.
 D480,599 S 10/2003 Linz et al.
 D483,981 S 12/2003 Linz et al.
 D483,982 S 12/2003 Irvine
 D489,627 S 5/2004 Klitsner et al.
 D493,327 S * 7/2004 Marsden D7/300.1
 6,913,165 B2 7/2005 Linz et al.

D510,497 S * 10/2005 Hou D7/300.1
 D519,835 S 5/2006 Dubs et al.
 D520,654 S 5/2006 Freeman et al.
 D536,986 S 2/2007 Nix et al.
 D576,495 S 9/2008 Slubski
 7,571,830 B2 8/2009 Lin
 D604,984 S * 12/2009 Kalamaras D7/300.1
 D608,141 S 1/2010 Sanders
 D610,005 S 2/2010 McKinney
 D619,001 S * 7/2010 McKinney D9/446
 D623,460 S 9/2010 Krasner
 D625,541 S 10/2010 Kauer
 D630,037 S 1/2011 Kauer
 D631,356 S 1/2011 Barsoumian
 D632,133 S 2/2011 Giraud et al.
 D648,488 S 11/2011 Tsai
 D654,752 S 2/2012 Krasner
 D689,336 S * 9/2013 Slocumb D7/590
 D694,109 S * 11/2013 Tanner D9/447
 D697,354 S 1/2014 Kauer
 D703,008 S 4/2014 Wampold
 D725,953 S 4/2015 Gamelli et al.
 D727,671 S * 4/2015 Gamelli D7/300.1
 2003/0002385 A1 1/2003 Pola et al.
 2003/0230575 A1 12/2003 Laurent
 2004/0066705 A1 * 4/2004 Linz A47J 43/27
 366/130
 2006/0102584 A1 5/2006 Wellman
 2010/0024660 A1 2/2010 Wallace
 2011/0024320 A1 2/2011 Roman et al.
 2011/0042374 A1 2/2011 Chang
 2011/0180545 A1 7/2011 Marino et al.
 2011/0226770 A1 9/2011 Tiesberger
 2013/0126369 A1 * 5/2013 Gamelli B65D 43/02
 206/217
 2014/0312040 A1 10/2014 Gamelli
 2015/0050405 A1 2/2015 Trager et al.

OTHER PUBLICATIONS

Notification of Transmittal of the International Search Report and
 Written Opinion of PCT/US2012/065561 dated Feb. 2, 2013.
 U.S. Appl. No. 29/451,689 entitled "Beverage Container for Retail
 Sale" filed Apr. 5, 2013.
[http://www.bevnet.com/news/2014/mocktail-beverages-launches-
 line-of-non-alcoholic-cocktails](http://www.bevnet.com/news/2014/mocktail-beverages-launches-line-of-non-alcoholic-cocktails) Posted Sep. 9, 2014.
 Japanese Design Registration No. 1154509, published Sep. 30, 2002.
 Komori Collections, vol. 6, p. 10, 496056 (Japanese PTO, Design
 Division Prior Art No. HC20019183), published Dec. 17, 2008.
 Article placed in website of Amest Co., Ltd. (Japanese PTO, Design
 Division Prior Art No. HJ24058089), published Jan. 7, 2013.

* cited by examiner

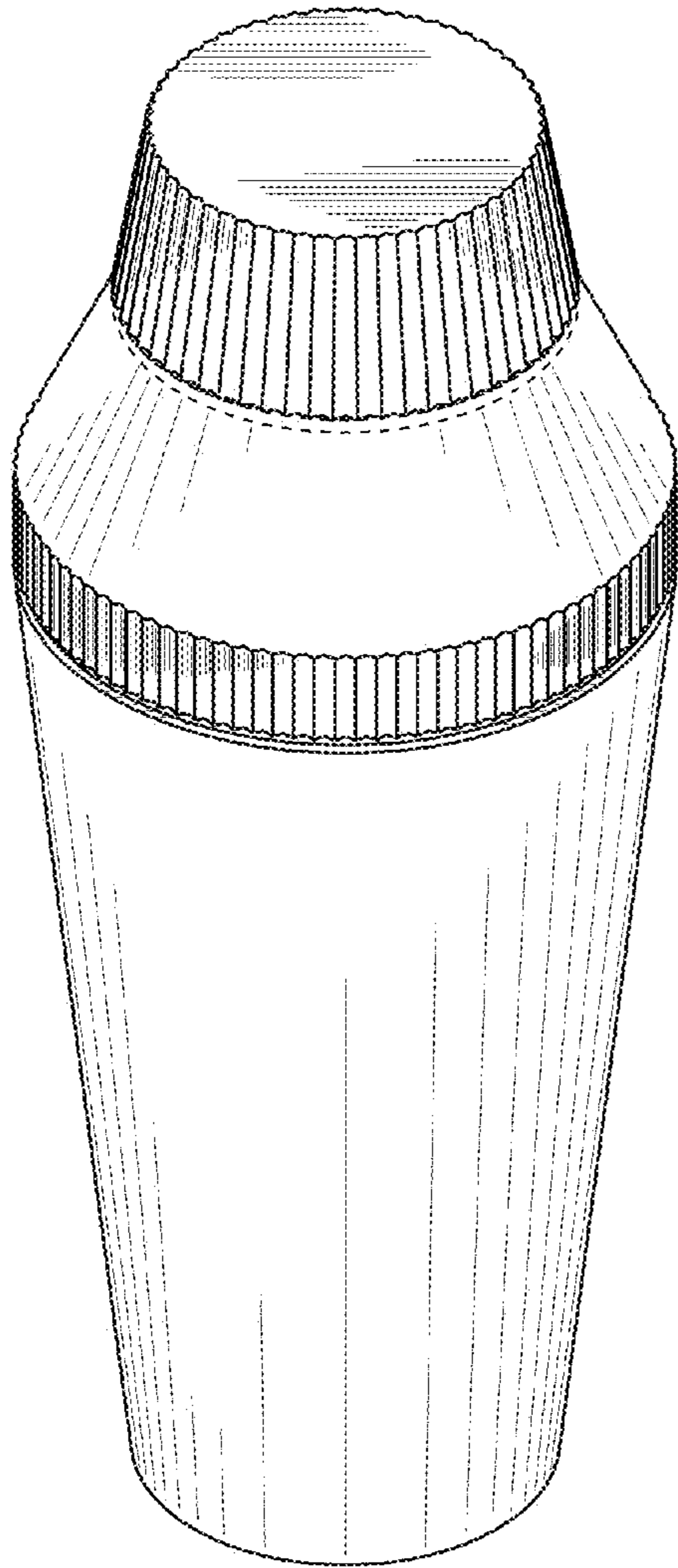


FIG. 1

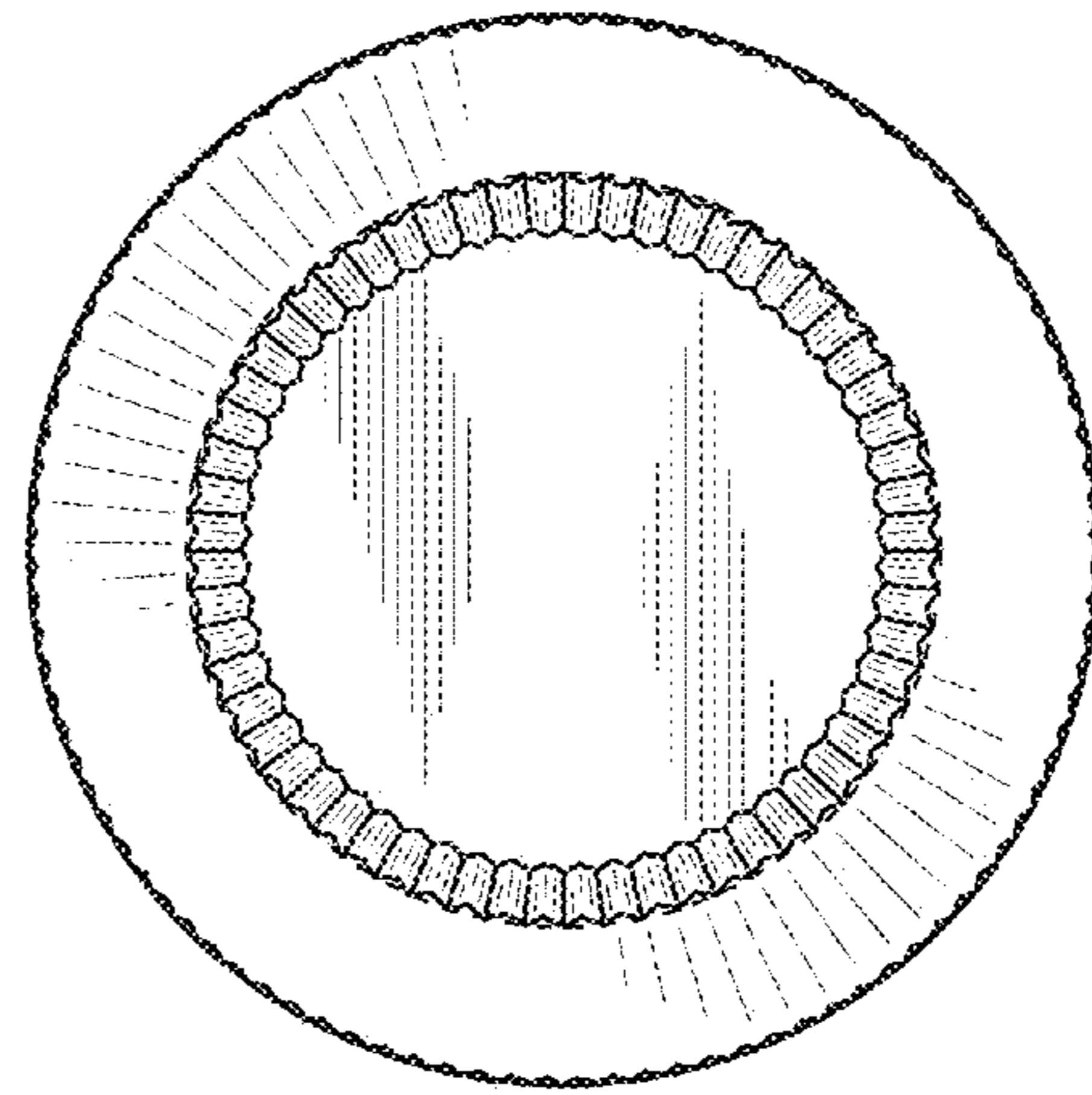


FIG. 2

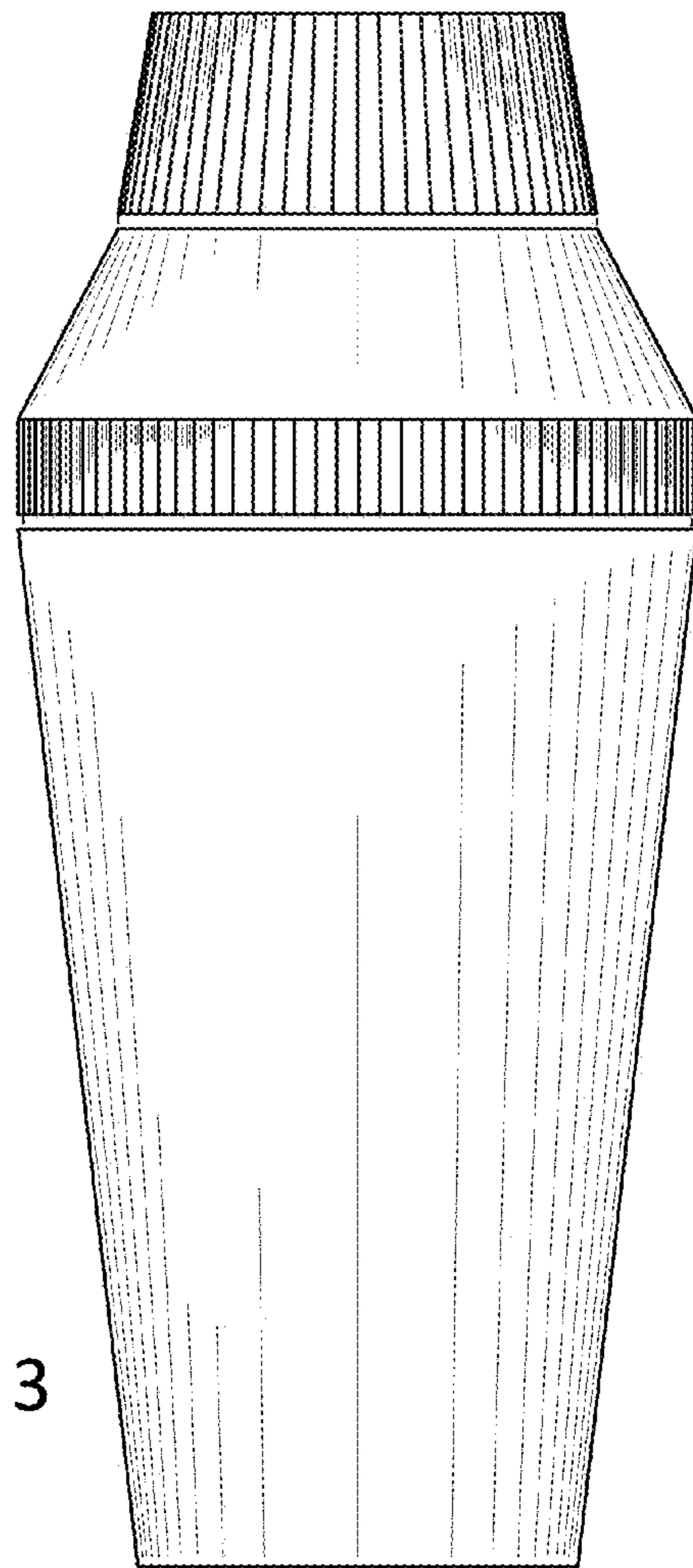


FIG. 3

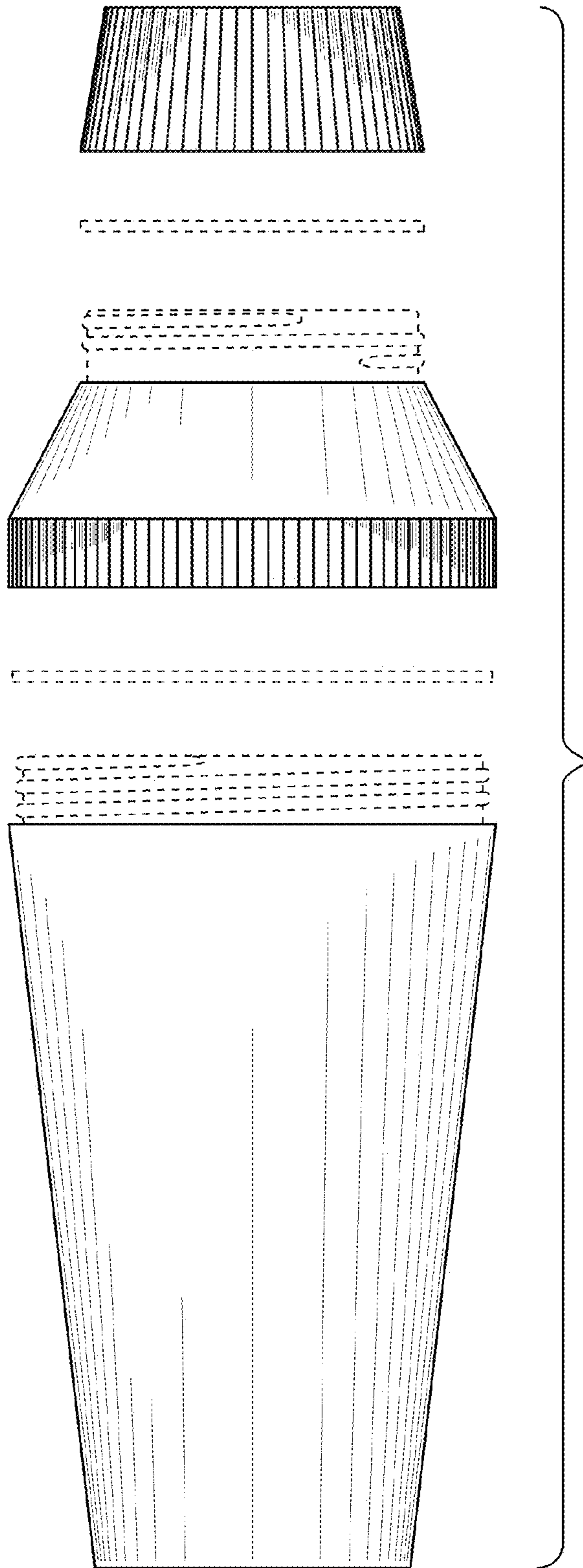


FIG. 4