



US00D754995S

(12) **United States Design Patent**
Copeland

(10) **Patent No.:** **US D754,995 S**
(45) **Date of Patent:** **** May 3, 2016**

- (54) **FURNITURE BASE**
- (71) Applicant: **Steelcase Inc.**, Grand Rapids, MI (US)
- (72) Inventor: **Stephan Copeland**, Merion Station, PA (US)
- (73) Assignee: **Steelcase Inc.**, Grand Rapids, MI (US)
- (**) Term: **14 Years**
- (21) Appl. No.: **29/513,884**
- (22) Filed: **Jan. 6, 2015**

2,150,397 A	3/1939	Owen	
D122,925 S	10/1940	Holden et al.	
2,299,909 A	10/1942	Linderme	
2,604,884 A	7/1952	Brooks	
2,685,487 A	8/1954	Weller	
2,686,094 A	8/1954	Terry	
3,217,672 A	11/1965	Haughey	
3,358,620 A	12/1967	Paolo	
3,669,392 A	6/1972	Saunders	
3,682,112 A	8/1972	Emrick	
3,853,297 A	12/1974	Drolet	
3,854,428 A	12/1974	Fullenkamp	
D236,045 S	7/1975	Petrie	
D236,775 S	9/1975	Cowley	
3,903,812 A	9/1975	Cowley	
3,908,561 A	9/1975	Cowley	
D246,880 S	1/1978	Miola	
D247,034 S	* 1/1978	Brodmann D14/224

Related U.S. Application Data

- (63) Continuation of application No. 13/755,658, filed on Jan. 31, 2013, now Pat. No. 8,960,104, which is a continuation-in-part of application No. 29/419,463, filed on Apr. 27, 2012, now Pat. No. Des. 694,044.

(51) **LOC (10) Cl.** **06-06**

(52) **U.S. Cl.**
USPC **D6/708.17; D6/708.21**

(58) **Field of Classification Search**
USPC D6/406.1, 656, 656.13, 656.15, 691, D6/691.3, 691.4, 692.3, 696.1; 108/150, 108/50.01, 50.02, 153.1, 156, 161, 144.11, 108/146, 147.15, 147.19; 248/188, 188.1, 248/188.7
CPC A47B 13/02; A47B 9/00; A47B 9/06; A47B 3/02; A47B 3/00
See application file for complete search history.

(56) **References Cited**

U.S. PATENT DOCUMENTS

1,053,357 A 2/1913 Carter
1,394,526 A 10/1921 Amsden

(Continued)

FOREIGN PATENT DOCUMENTS

GB 746455 A 3/1956

Primary Examiner — Janice Seeger

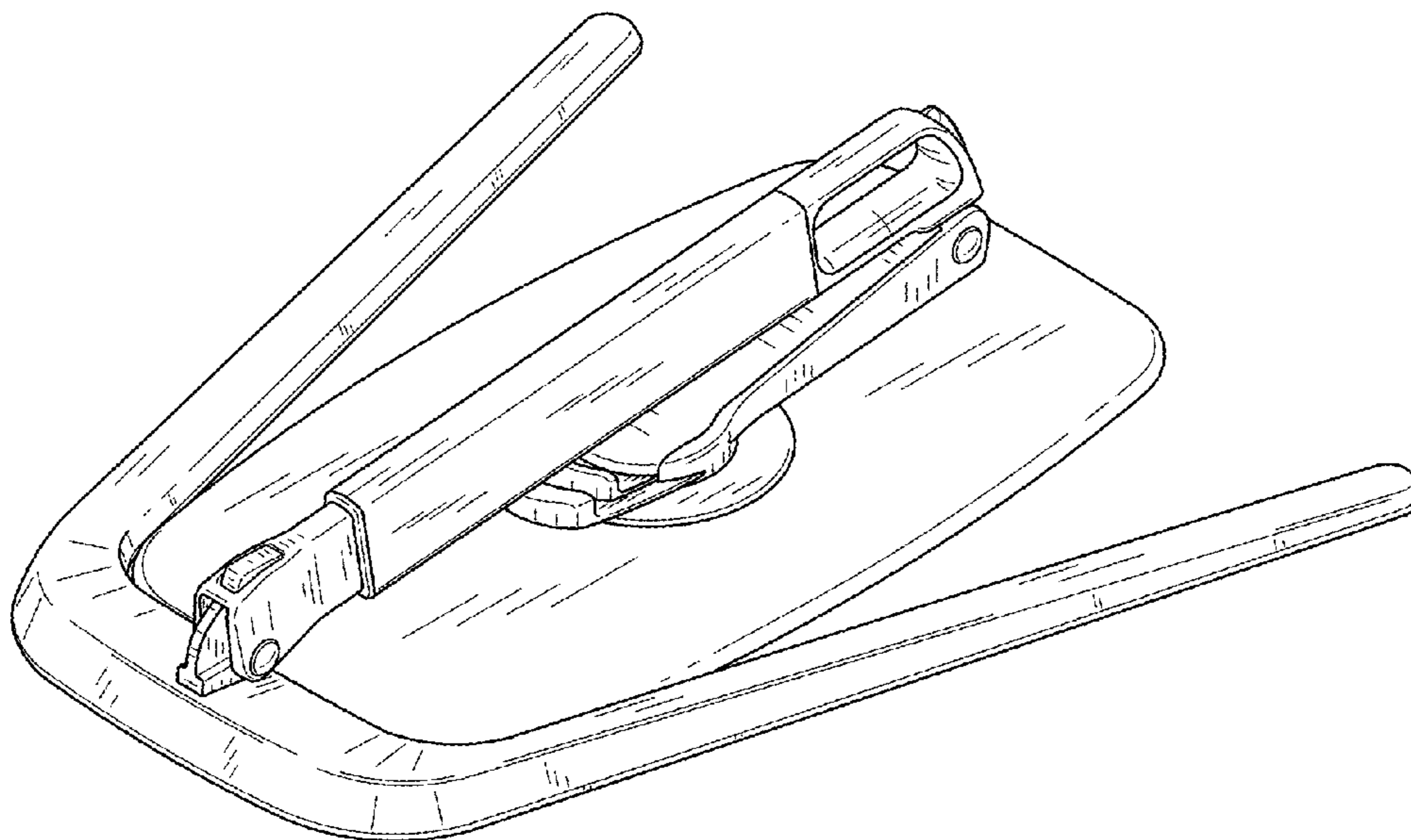
(57) **CLAIM**

I claim the ornamental design for a furniture base, as shown and described.

DESCRIPTION

FIG. 1 is a front perspective view of a furniture base in a folded position, according to an embodiment; FIG. 2 is a rear perspective view of a furniture base of FIG. 1; FIG. 3 is a front elevation view of a furniture base of FIG. 1; FIG. 4 is a rear elevation view of a furniture base of FIG. 1; FIG. 5 is a right side view of a furniture base of FIG. 1, the left side view is a mirror image of the right side view of FIG. 5; FIG. 6 is a top view of a furniture base of FIG. 1; and, FIG. 7 is a bottom view of a furniture base of FIG. 1.

1 Claim, 4 Drawing Sheets



(56)

References Cited

U.S. PATENT DOCUMENTS

D289,588 S	5/1987	Winzeler, II	7,341,006 B2	3/2008	Hernandez	
D296,851 S	7/1988	Kelley	7,469,645 B2	12/2008	Mangano et al.	
4,938,153 A	7/1990	Maes	7,520,228 B2	4/2009	Mangano et al.	
D314,878 S	2/1991	Hart	D595,070 S	6/2009	Wacker	
RE33,645 E	7/1991	Coote	7,546,810 B2	6/2009	Hernandez	
5,144,898 A	9/1992	Posly	7,631,604 B2	12/2009	Huang	
D341,507 S	11/1993	Harvey et al.	D611,737 S	3/2010	Miller et al.	
D353,287 S	12/1994	Hemberger	D612,169 S	3/2010	Change	
5,460,392 A	10/1995	Hansen	D614,892 S	5/2010	Miller et al.	
5,465,671 A	11/1995	Genest	D615,324 S	5/2010	Yamamoto	
5,606,917 A	3/1997	Cauffiel	D620,276 S	7/2010	Miller	
5,622,119 A	4/1997	Hsieh	7,823,518 B2	11/2010	Phillips	
5,894,805 A	4/1999	Raasch et al.	7,836,833 B2	11/2010	Kumazawa	
D417,980 S	12/1999	Fraquelli et al.	7,856,743 B2	12/2010	Ma et al.	
6,076,787 A	6/2000	Troyer	D640,486 S	6/2011	Saelid	
D441,224 S	5/2001	Scheper et al.	8,051,784 B2	11/2011	Hsu	
6,327,982 B1	12/2001	Jackson	D655,111 S	3/2012	Kincaid et al.	
6,394,005 B1	5/2002	Isensee et al.	D691,840 S *	10/2013	Copeland	D6/656.15
6,578,500 B2	6/2003	Malizia	D694,053 S *	11/2013	Copeland	D6/708
6,688,634 B2	2/2004	Noffsinger	8,960,104 B2 *	2/2015	Copeland	A47B 3/00 108/117
6,694,891 B1	2/2004	Lai	2007/0234934 A1	10/2007	Branch et al.	
6,817,303 B2	11/2004	Gosselin	2007/0289506 A1	12/2007	Branch et al.	
6,832,560 B2	12/2004	Seiler et al.	2009/0241805 A1	10/2009	Hernandez	
D515,850 S	2/2006	Duke	2009/0272860 A1	11/2009	Reinke	
D531,839 S	11/2006	Lade	2009/0283020 A1	11/2009	Hsu	
D548,496 S	8/2007	Samtani	2010/0095565 A1	4/2010	Ma et al.	
			2010/0300242 A1	12/2010	Rutz	
			2011/0147547 A1	6/2011	Fitzpatrick et al.	

* cited by examiner

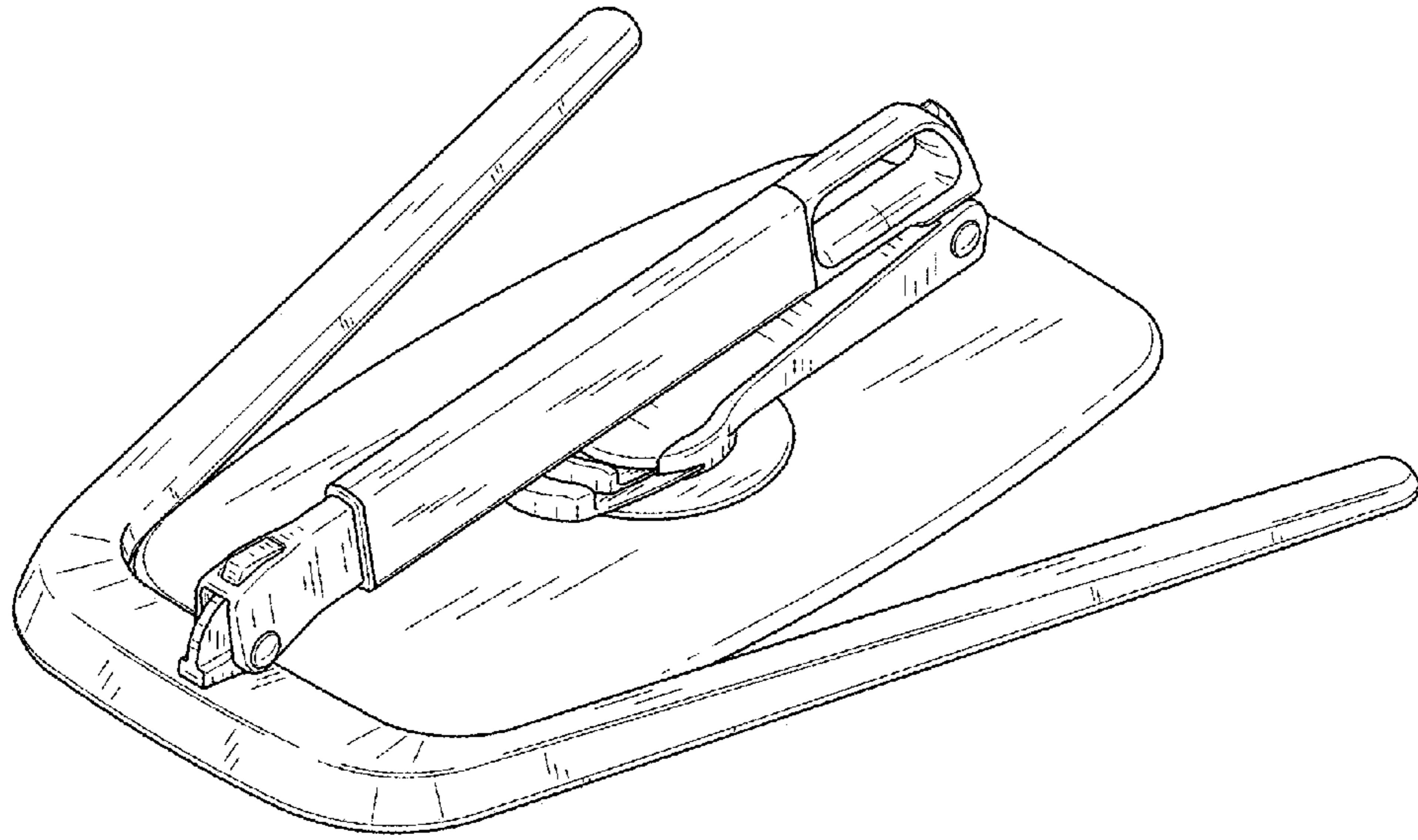


FIG. 1

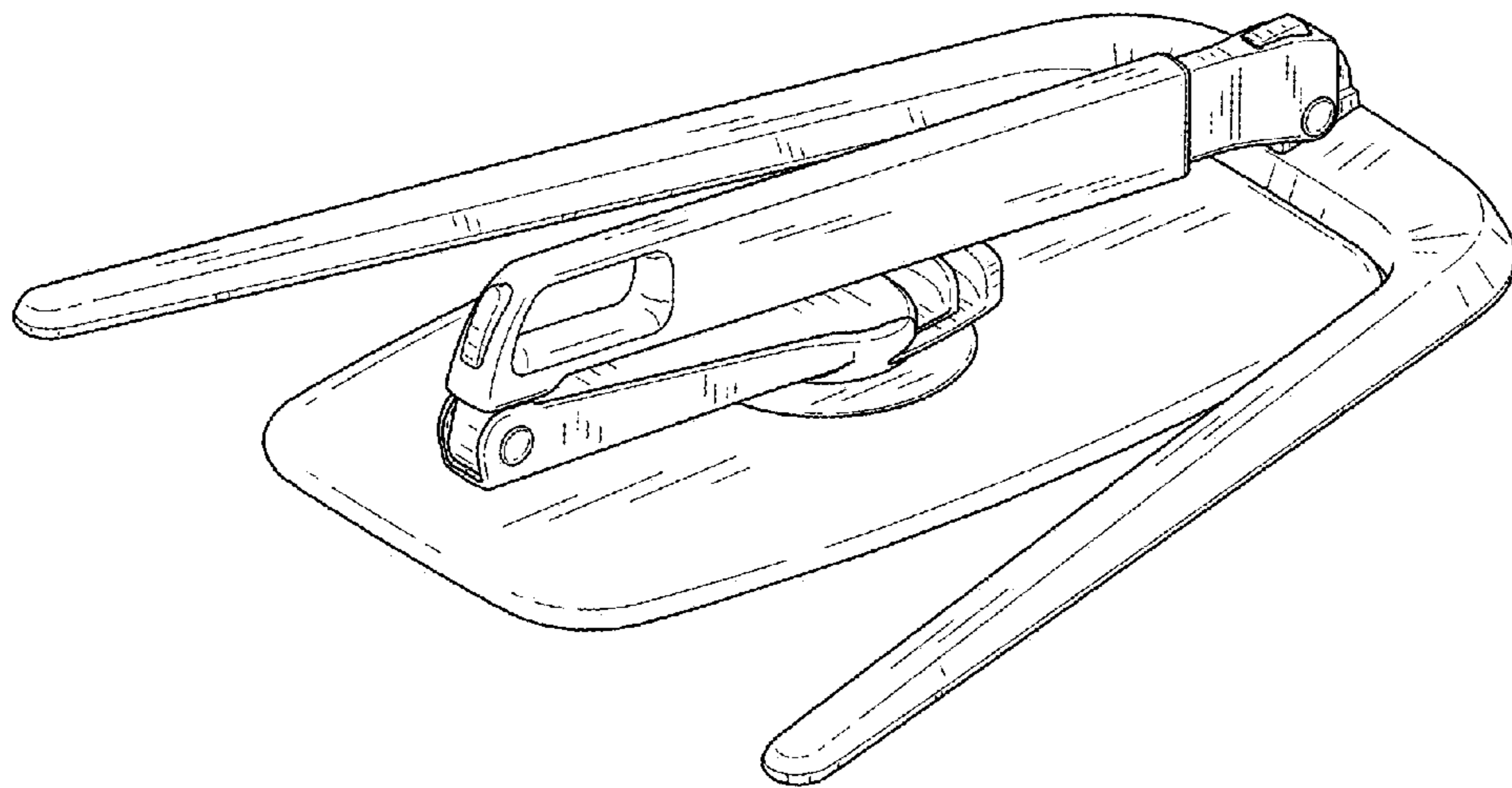


FIG. 2

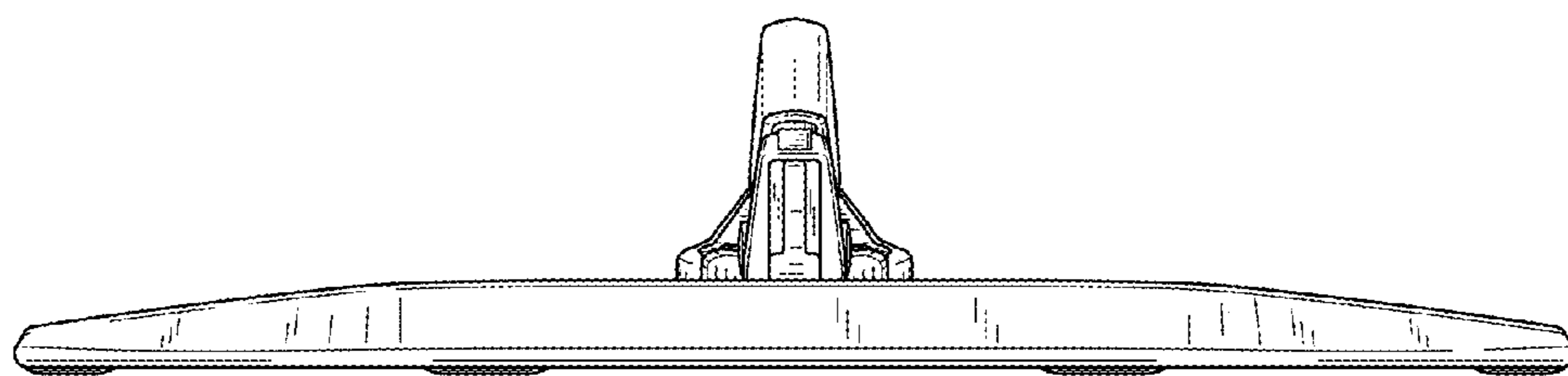


FIG. 3

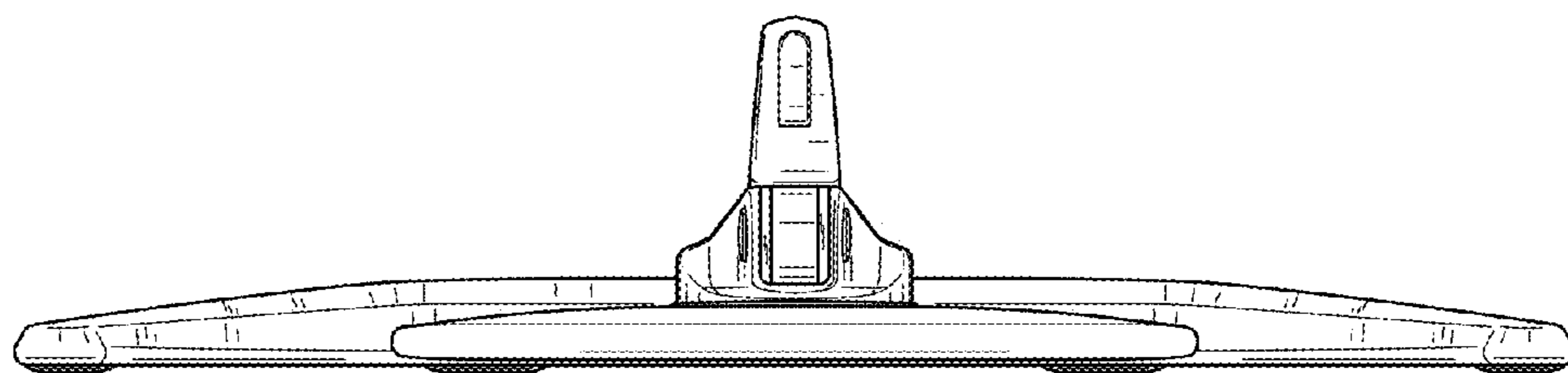


FIG. 4

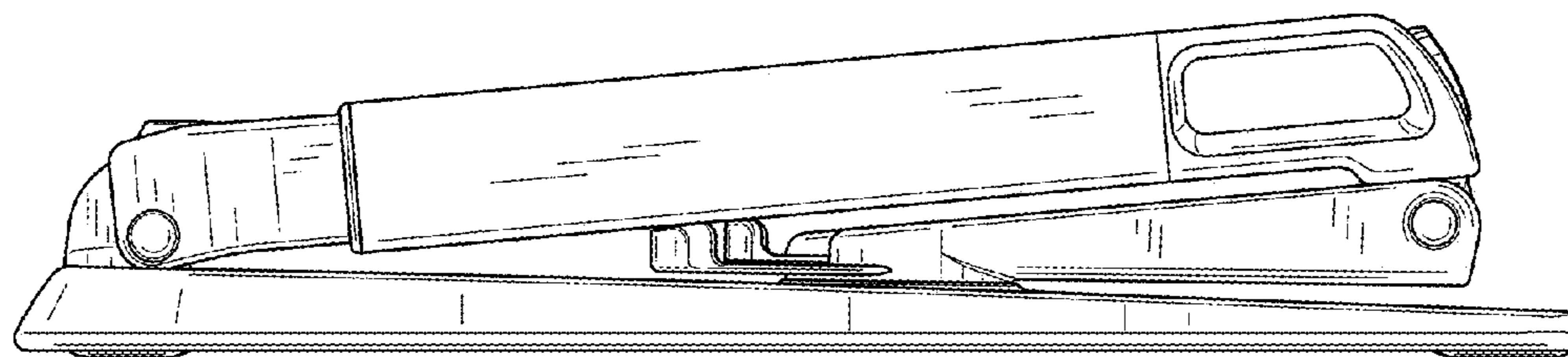


FIG. 5

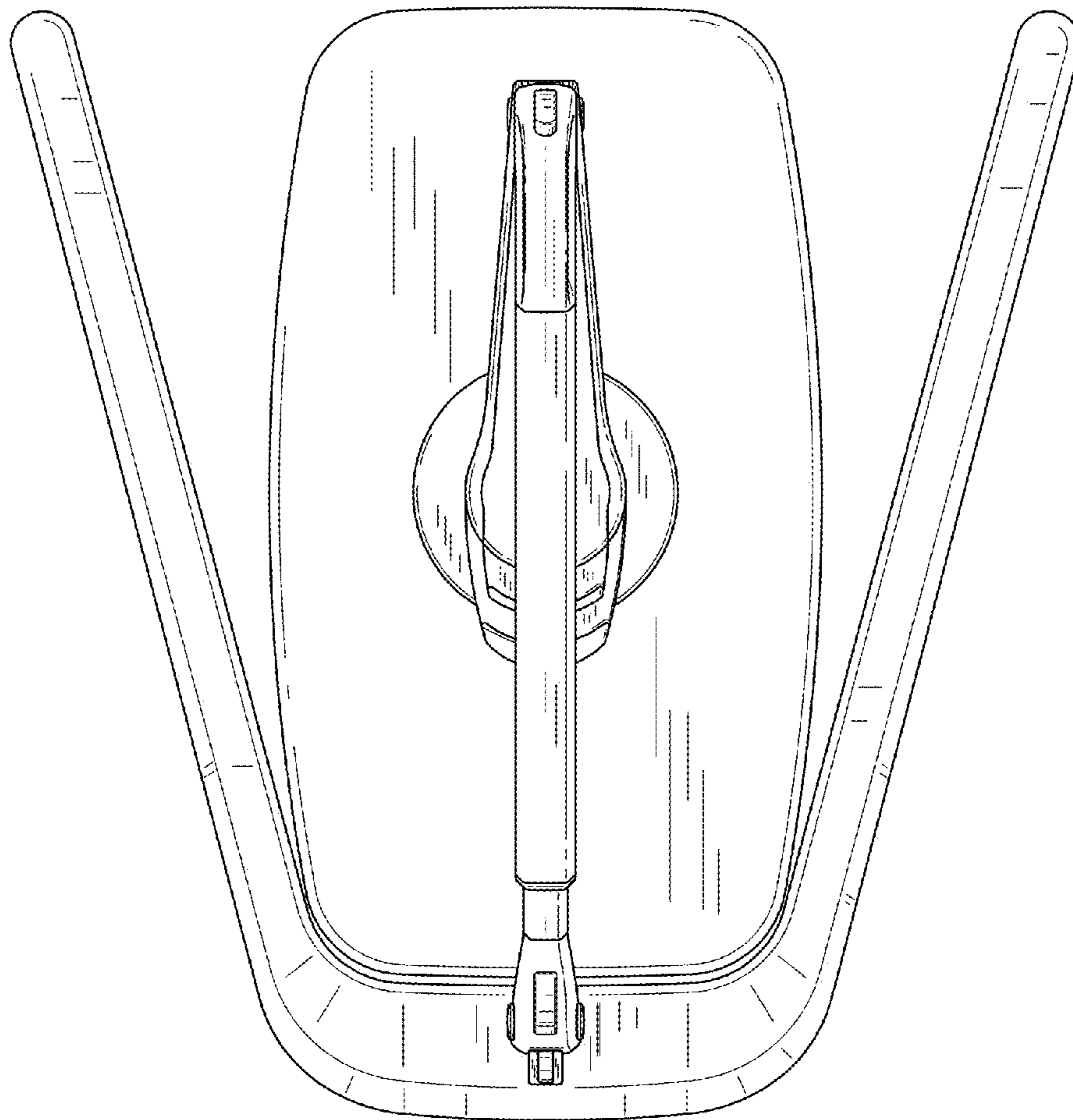


FIG. 6

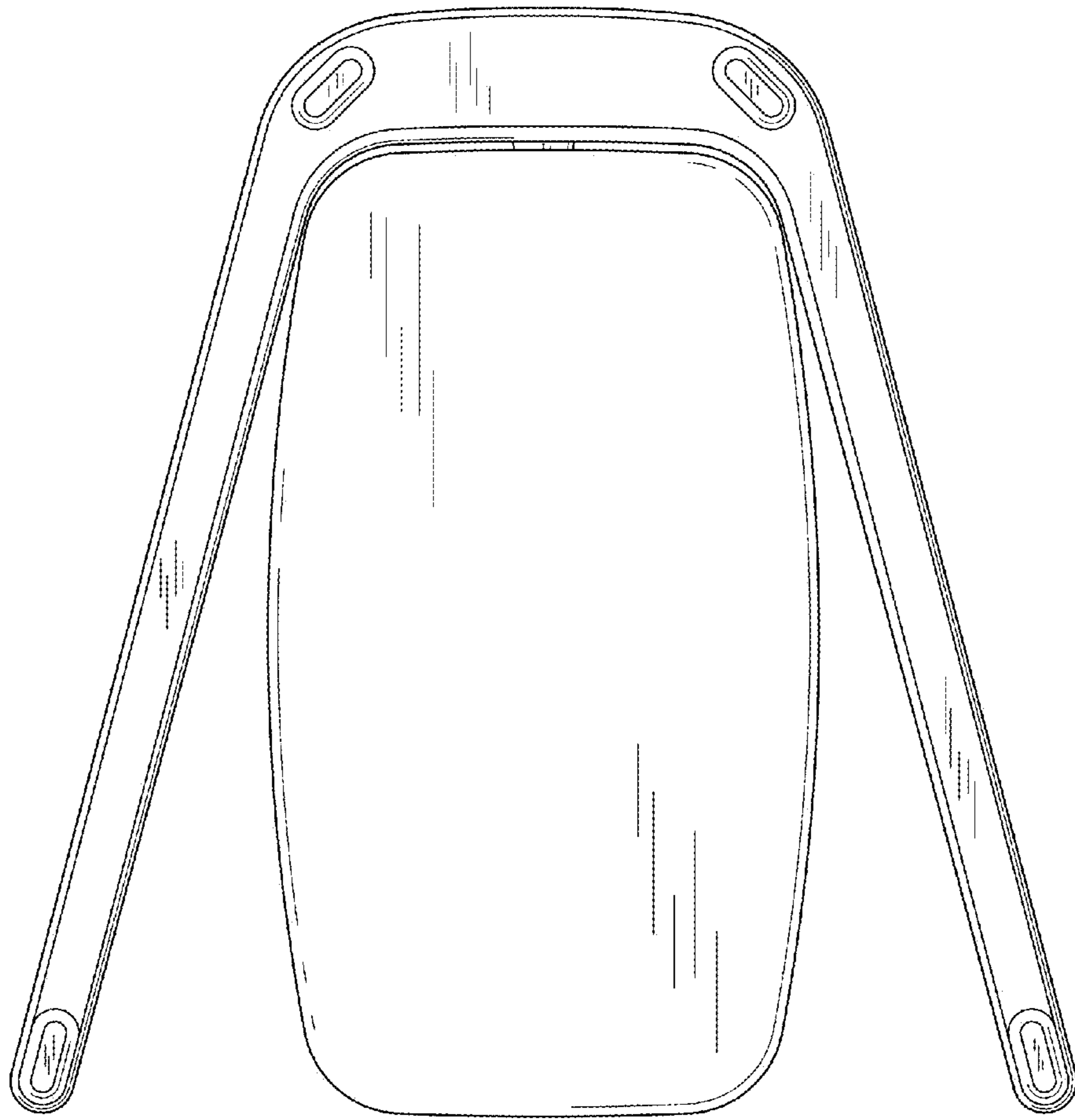


FIG. 7