



US00D754990S

(12) **United States Design Patent**
Velasquez

(10) **Patent No.:** **US D754,990 S**
(45) **Date of Patent:** **** May 3, 2016**

- (54) **BOLSTER CUSHION**
- (71) Applicant: **Richard Velasquez**, Owatonna, MN (US)
- (72) Inventor: **Richard Velasquez**, Owatonna, MN (US)
- (**) Term: **14 Years**
- (21) Appl. No.: **29/511,106**
- (22) Filed: **Dec. 5, 2014**
- (51) **LOC (10) Cl.** **06-09**
- (52) **U.S. Cl.**
USPC **D6/601**
- (58) **Field of Classification Search**
USPC D6/595-601, 604-606; D21/803, 804; D24/183, 184
CPC A47C 7/12; A47C 7/021; A47C 7/383; A47C 7/425; A47C 7/428; A47C 7/546; A47C 16/00; A47C 16/08; A47C 20/00; A47C 20/02; A47C 20/021; A47C 20/026; A47C 20/027; A47C 31/11; A47C 27/001; A47C 27/003; A47C 27/081; A47C 1/146; A47G 9/00; A47G 9/10; A47G 9/07; A47G 9/1027; A47G 9/1045; A47G 9/1054; A47G 9/1063; A47G 9/1072; A47G 9/1081; A47G 9/109; A47G 2009/1018; A47G 2009/1036; D47D 13/00; D47D 13/08
See application file for complete search history.

- 5,138,721 A 8/1992 Spector
- D341,281 S * 11/1993 McIntire D6/601
- 5,412,822 A 5/1995 Kelly
- D381,232 S * 7/1997 Jansson 5/636
- 6,019,428 A 2/2000 Coffield
- 6,321,402 B1 * 11/2001 Ming-Chung A47G 9/10
5/636
- 6,371,641 B1 * 4/2002 Wilson, Jr. A47C 7/021
206/278
- 6,568,976 B2 5/2003 Anderson et al.
- 6,623,080 B2 9/2003 Clapper
- 7,347,499 B2 3/2008 Slabaugh et al.
- 7,523,988 B1 4/2009 Ratza et al.
- D624,622 S 9/2010 Vick

(Continued)

Primary Examiner — Mary Ann Calabrese
(74) *Attorney, Agent, or Firm* — Thomas J. Oppold; Larkin Hoffman Daly & Lindgren, Ltd.

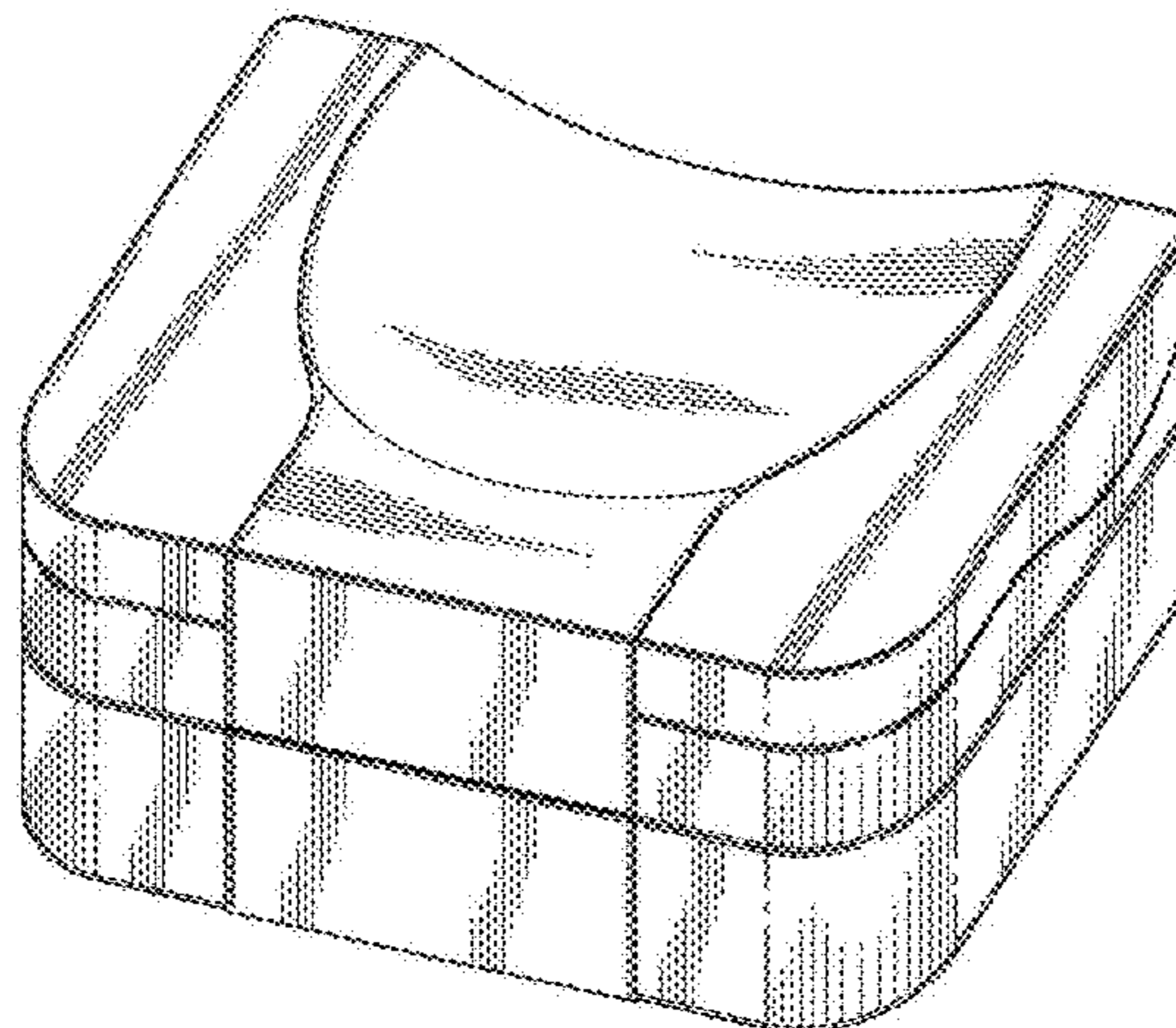
(57) **CLAIM**
The ornamental design for a bolster cushion, as shown and described.

DESCRIPTION

FIG. 1 is a front perspective view of the bolster cushion of the present design.
 FIG. 2 is a front elevation view of the bolster cushion of the present design.
 FIG. 3 is a rear elevation view of the bolster cushion of the present design.
 FIG. 4 is a left side elevation view of the bolster cushion of the present design.
 FIG. 5 is a right side elevation view of the bolster cushion of the present design.
 FIG. 6 is a top plan view of the bolster cushion of the present design; and,
 FIG. 7 is a bottom plan view of the bolster cushion of the present design.
 The broken lines represent features that form no part of the claimed design.
 The dotted lines indicate stitching and form no part of the present design.

1 Claim, 4 Drawing Sheets

- (56) **References Cited**
U.S. PATENT DOCUMENTS
- 2,940,088 A * 6/1960 Boos A47G 9/10
5/636
- 3,093,407 A 6/1963 Wilson
- D247,149 S * 2/1978 Woog D6/596
- 4,459,714 A 7/1984 Lin
- 4,523,913 A 6/1985 Kaino
- D285,512 S * 9/1986 Bool D6/596
- 4,822,309 A 4/1989 Vandenberg
- D309,070 S * 7/1990 Burns, Sr. D6/601
- D312,741 S * 12/1990 Treadwell D6/601



(56)

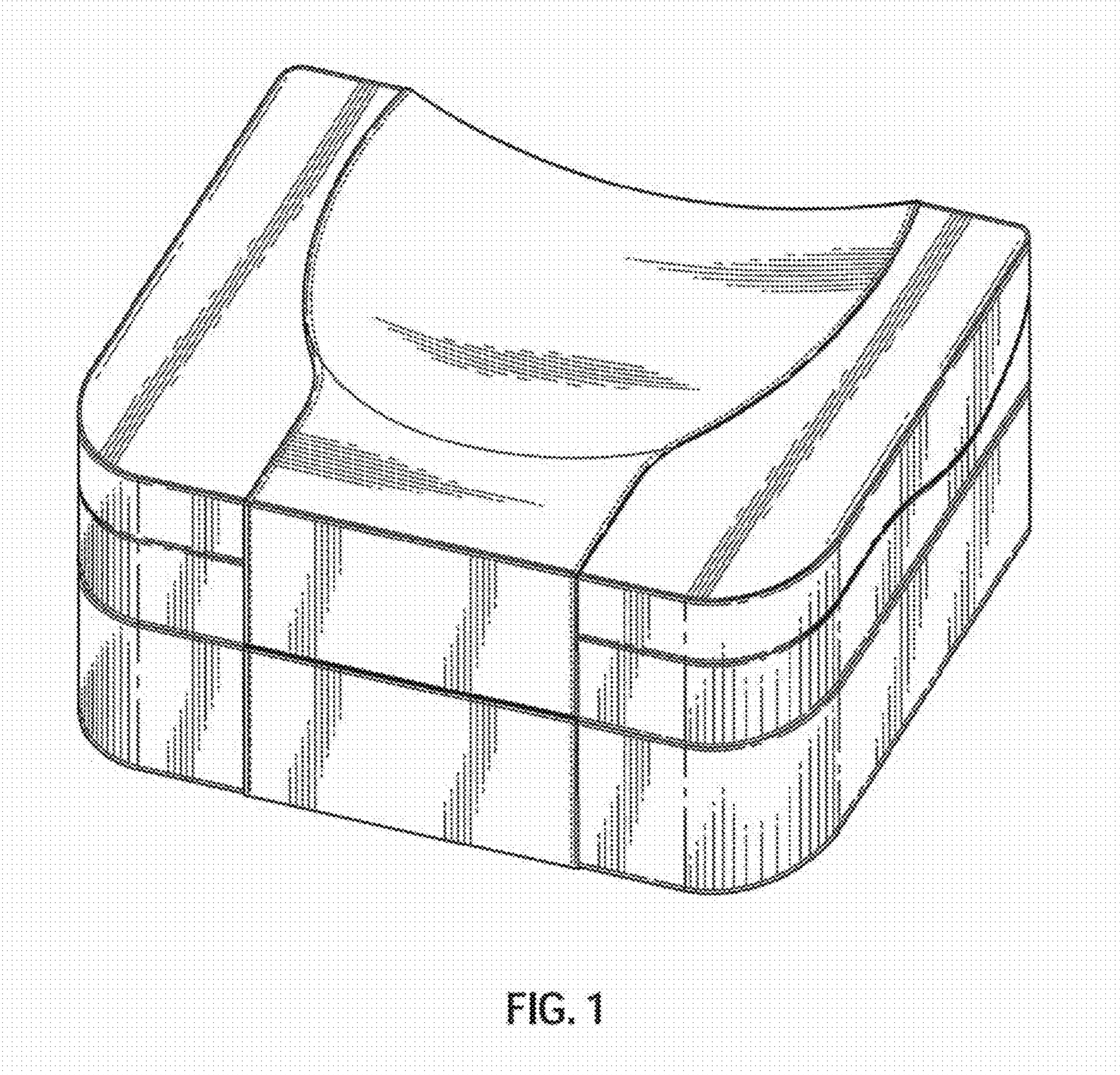
References Cited

U.S. PATENT DOCUMENTS

7,819,715 B2 10/2010 Vick
7,985,112 B2 7/2011 Vick
D650,031 S 12/2011 Vick

D650,032 S 12/2011 Vick
8,491,008 B2 7/2013 Roychoudhury et al.
D731,813 S * 6/2015 Durkin D6/601
2003/0127038 A1 7/2003 Moore
2009/0151075 A1 6/2009 Arthur

* cited by examiner



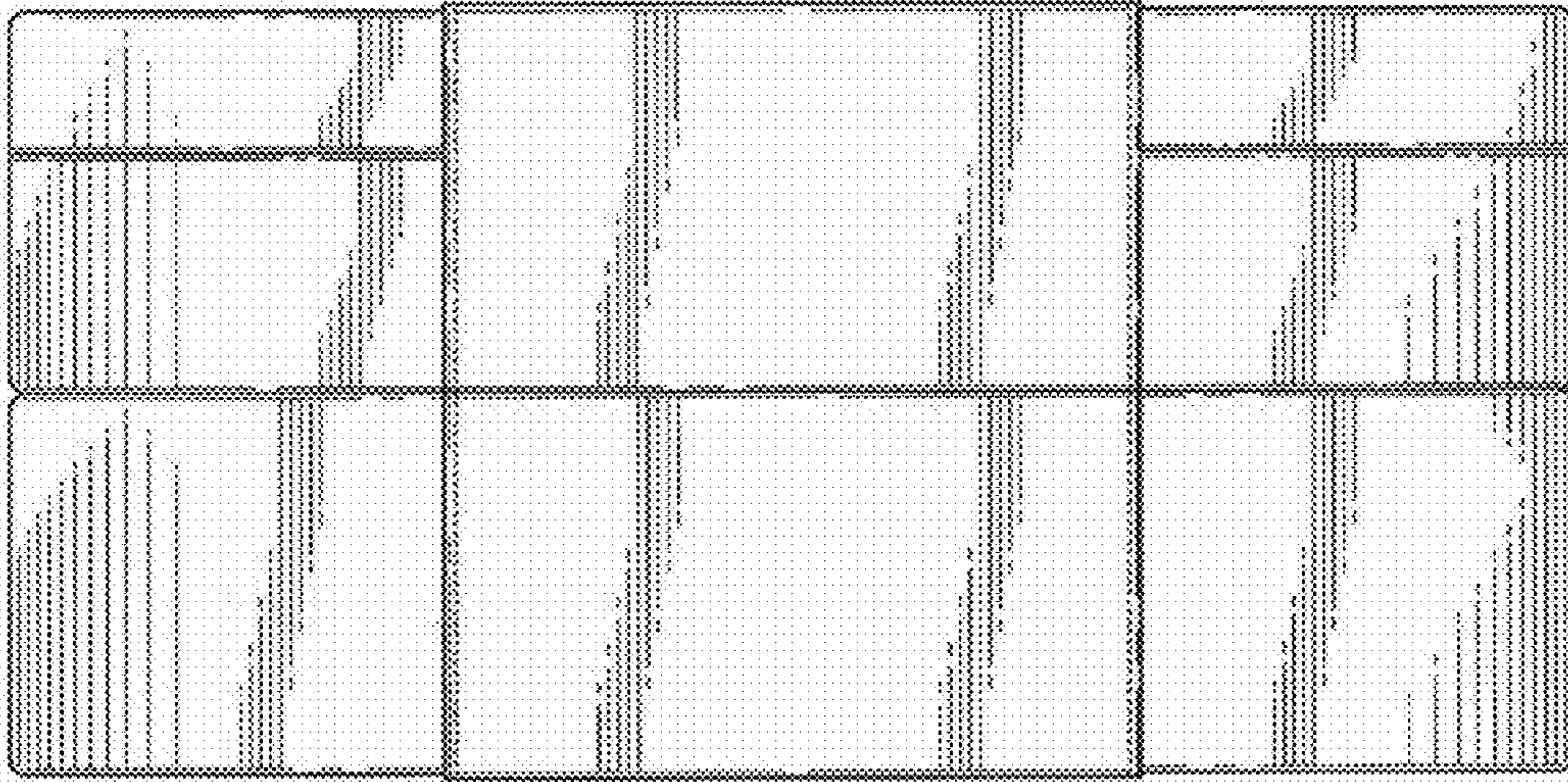


FIG. 2

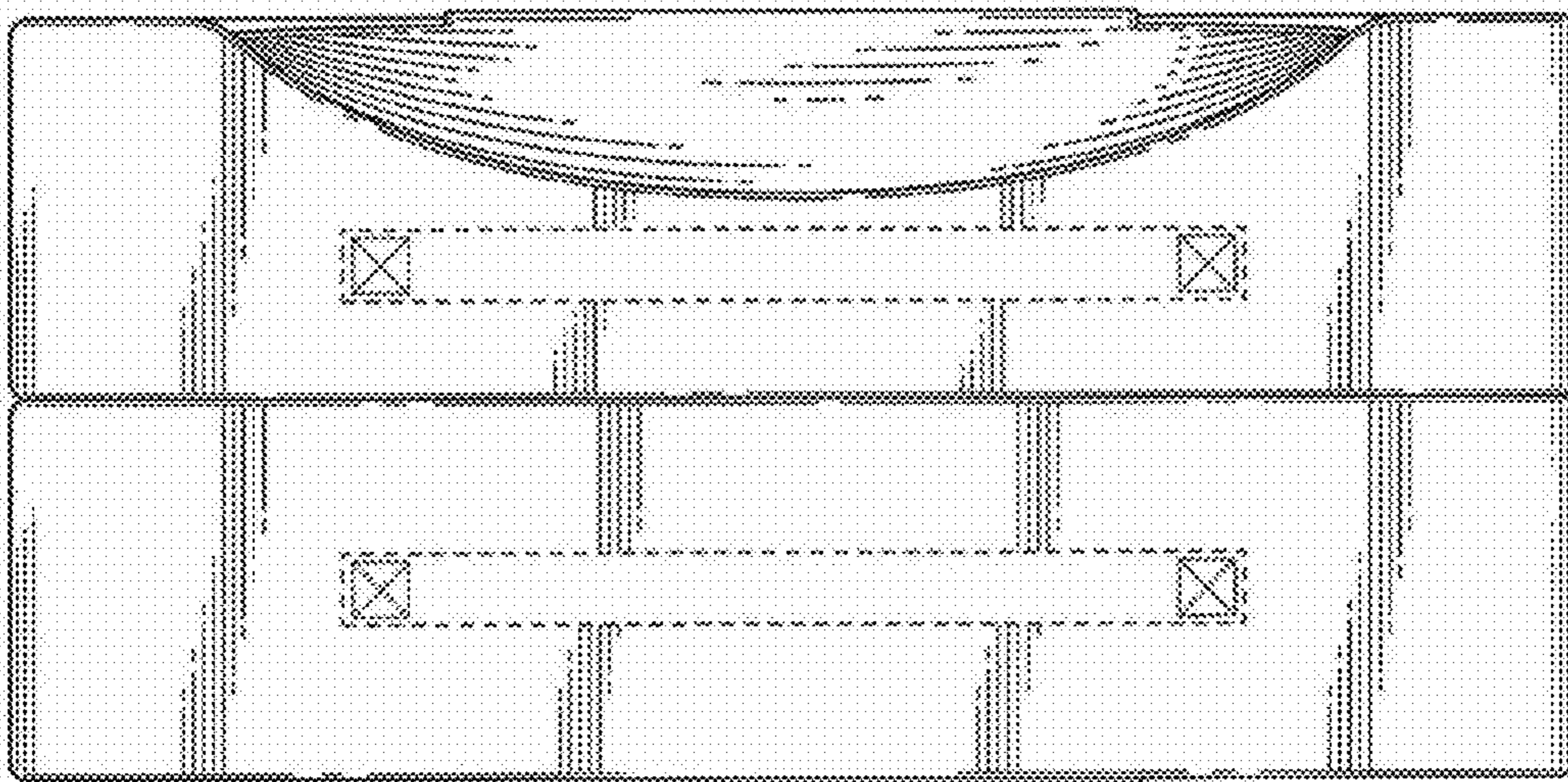


FIG. 3

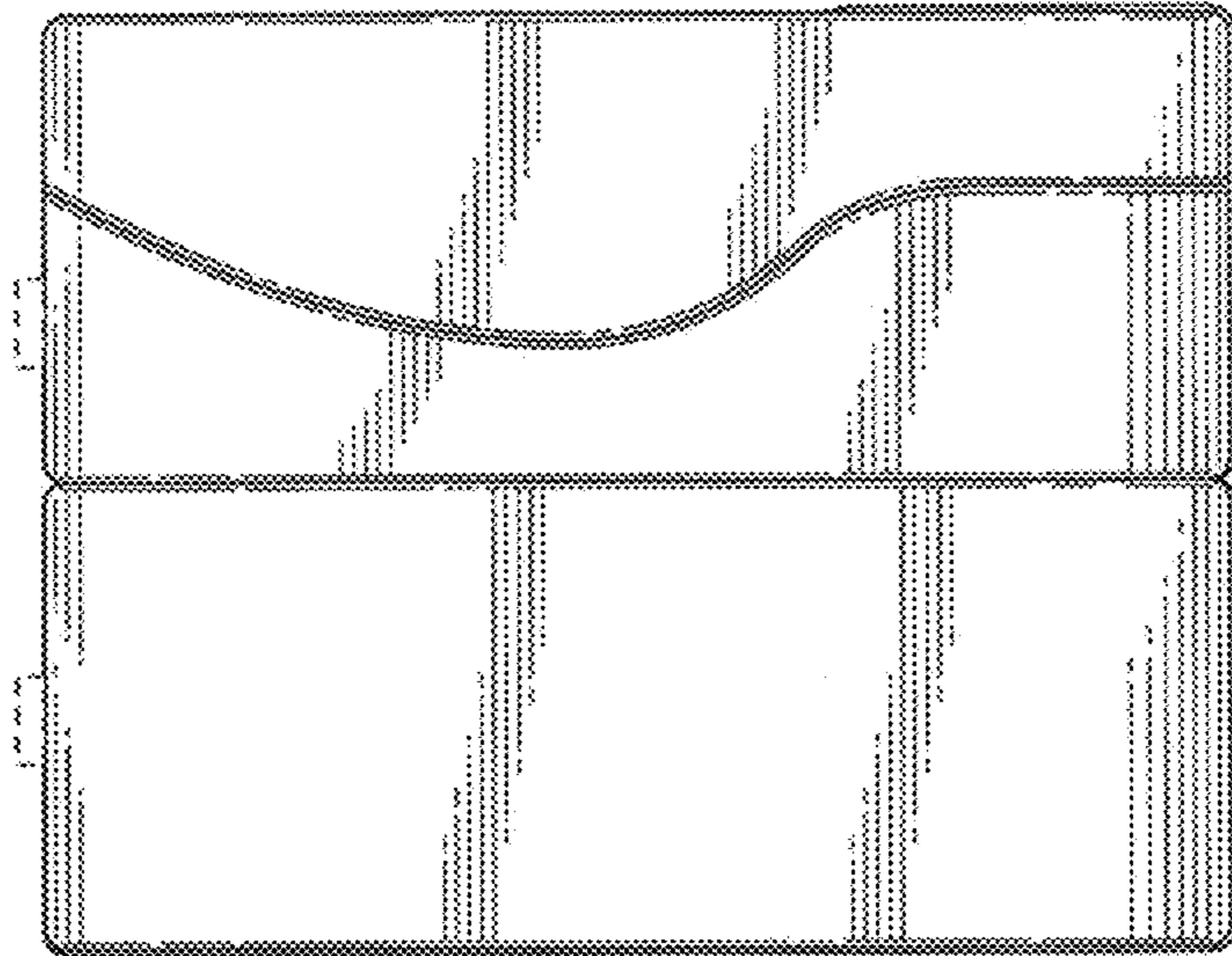


FIG. 4

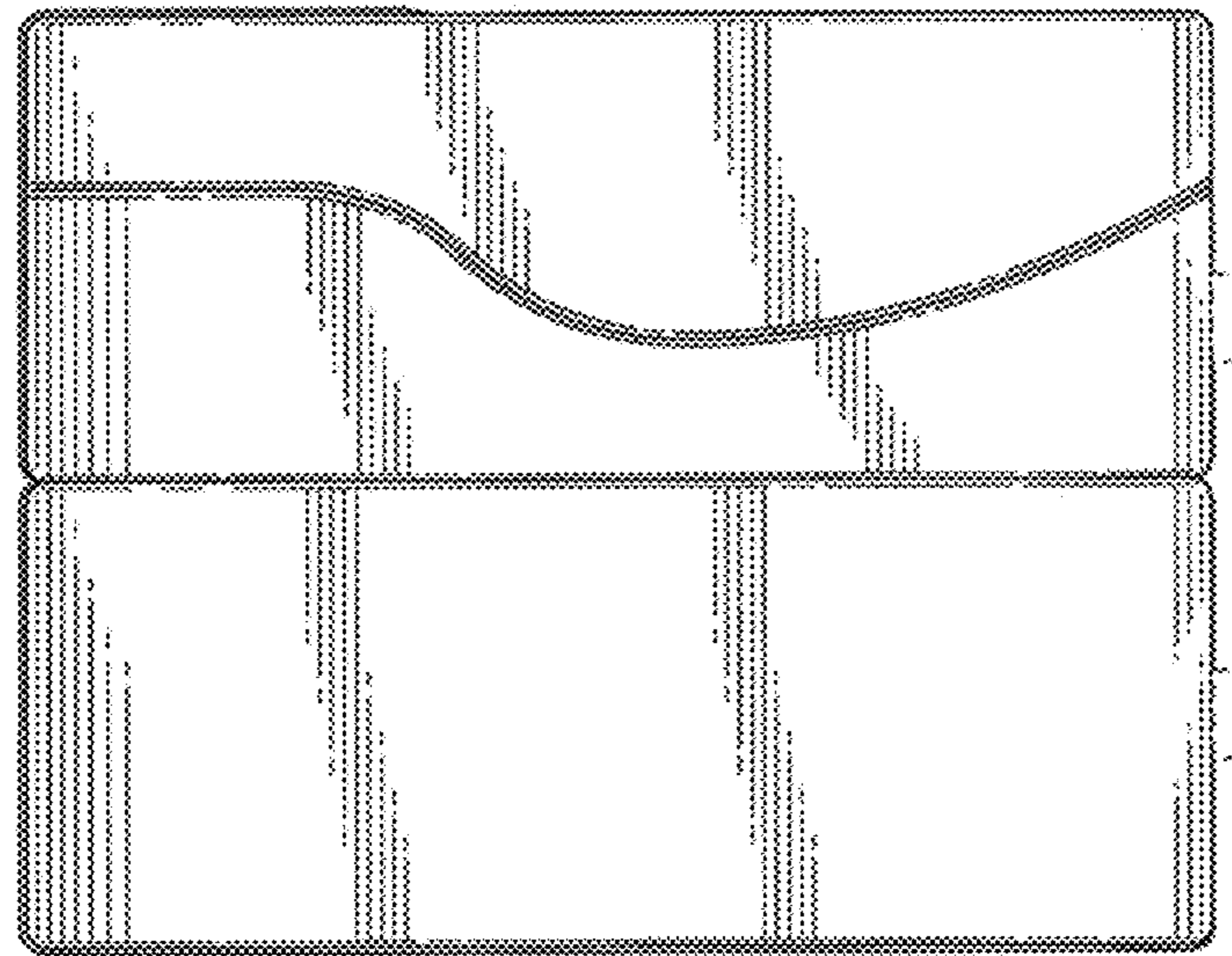


FIG. 5

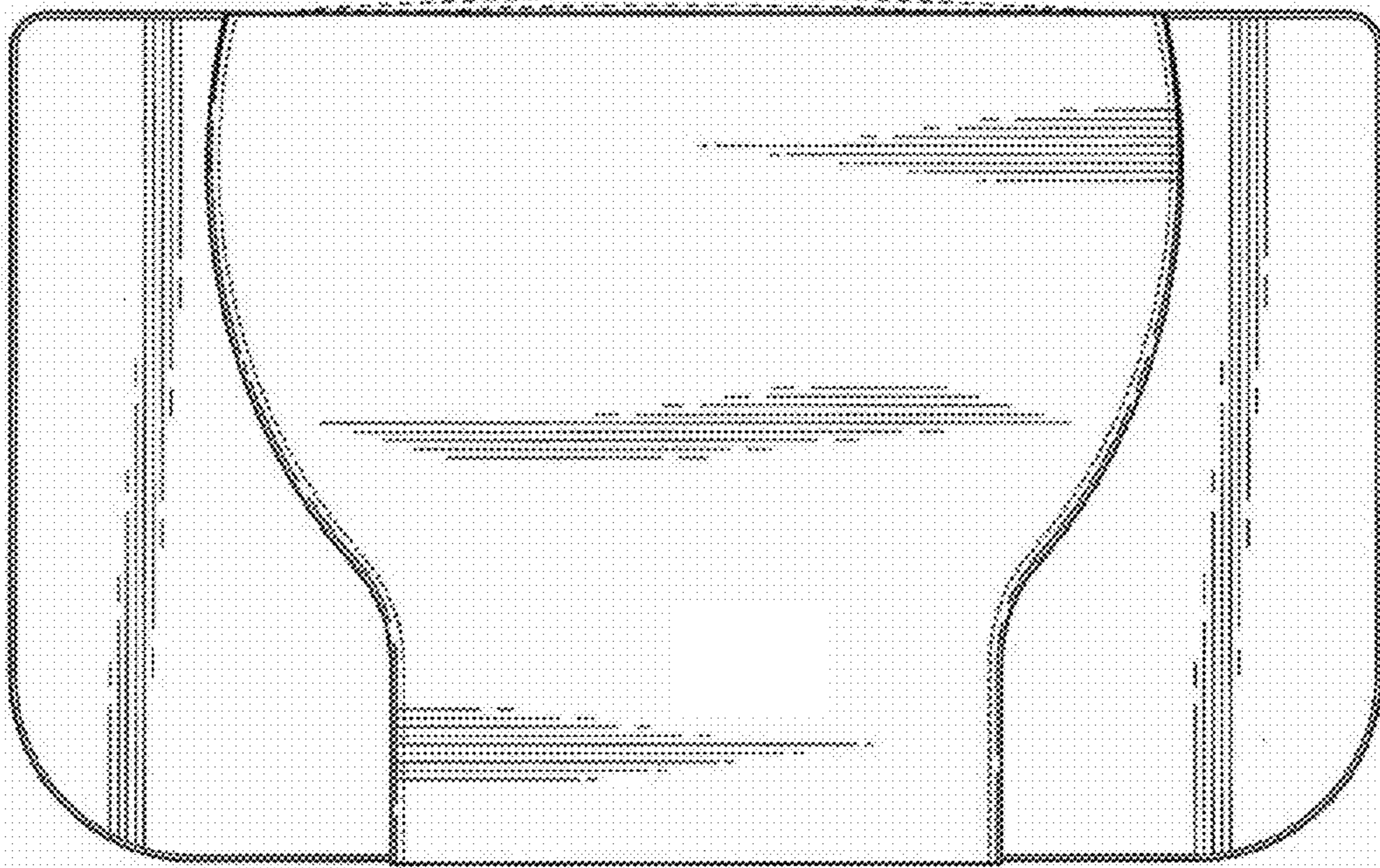


FIG. 6



FIG. 7