

US00D754988S

(12) **United States Design Patent**  
**Fountain, Jr.**

(10) **Patent No.:** **US D754,988 S**

(45) **Date of Patent:** **\*\* May 3, 2016**

(54) **LAP-SUPPORTED DEVICE**

(71) Applicant: **Lonnie D. Fountain, Jr.**, Biloxi, MS  
(US)

(72) Inventor: **Lonnie D. Fountain, Jr.**, Biloxi, MS  
(US)

(\*\*) Term: **14 Years**

(21) Appl. No.: **29/518,592**

(22) Filed: **Feb. 25, 2015**

(51) **LOC (10) Cl.** ..... **06-06**

(52) **U.S. Cl.**  
USPC ..... **D6/406.3**

(58) **Field of Classification Search**  
USPC ..... D6/406.1–406.6, 421–422; D19/91–92;  
D7/552.2, 554.3–554.4  
CPC ..... A47G 23/0608  
See application file for complete search history.

(56) **References Cited**

**U.S. PATENT DOCUMENTS**

3,915,102	A	10/1975	Barron	
4,010,696	A *	3/1977	Priesman	A47B 23/001 108/129
D281,555	S *	12/1985	Levy	D6/406.6
4,566,732	A	1/1986	Ostergard, II et al.	
D286,112	S *	10/1986	Simmons	D6/691.6
4,779,884	A	10/1988	Minati	
D318,960	S *	8/1991	Lilly	D6/406.3
D319,358	S *	8/1991	Giugiaro	D6/406.1

D349,426	S *	8/1994	Norris	D6/406.3
D363,857	S *	11/1995	Sussman	D6/406.6
D385,126	S *	10/1997	Howland	D6/406.6
D390,718	S *	2/1998	Howland	D6/406.6
6,496,360	B1	12/2002	Cordes et al.	
7,216,929	B2	5/2007	Lang et al.	
D577,223	S *	9/2008	Durmon, Jr.	D6/406.5
D608,150	S *	1/2010	Lilly	D7/552.1
D723,830	S *	3/2015	Tcholakov	D6/406.6
D740,716	S *	10/2015	Fenn	D11/156

\* cited by examiner

*Primary Examiner* — Kelley Donnelly

(74) *Attorney, Agent, or Firm* — Nixon & Vanderhye P.C.

(57) **CLAIM**

The ornamental design for a “lap-supported device,” as shown and described.

**DESCRIPTION**

This application is related to U.S. patent application Ser. No. 14/631,141 filed concurrently herewith, the entire content of such application being expressly incorporated hereinto by reference.

FIG. 1 is a top perspective view of a lap-supported device which embodies my new and original design therefore;

FIG. 2 is a front elevation view of thereof, the rear elevation view being substantially a mirror image thereof;

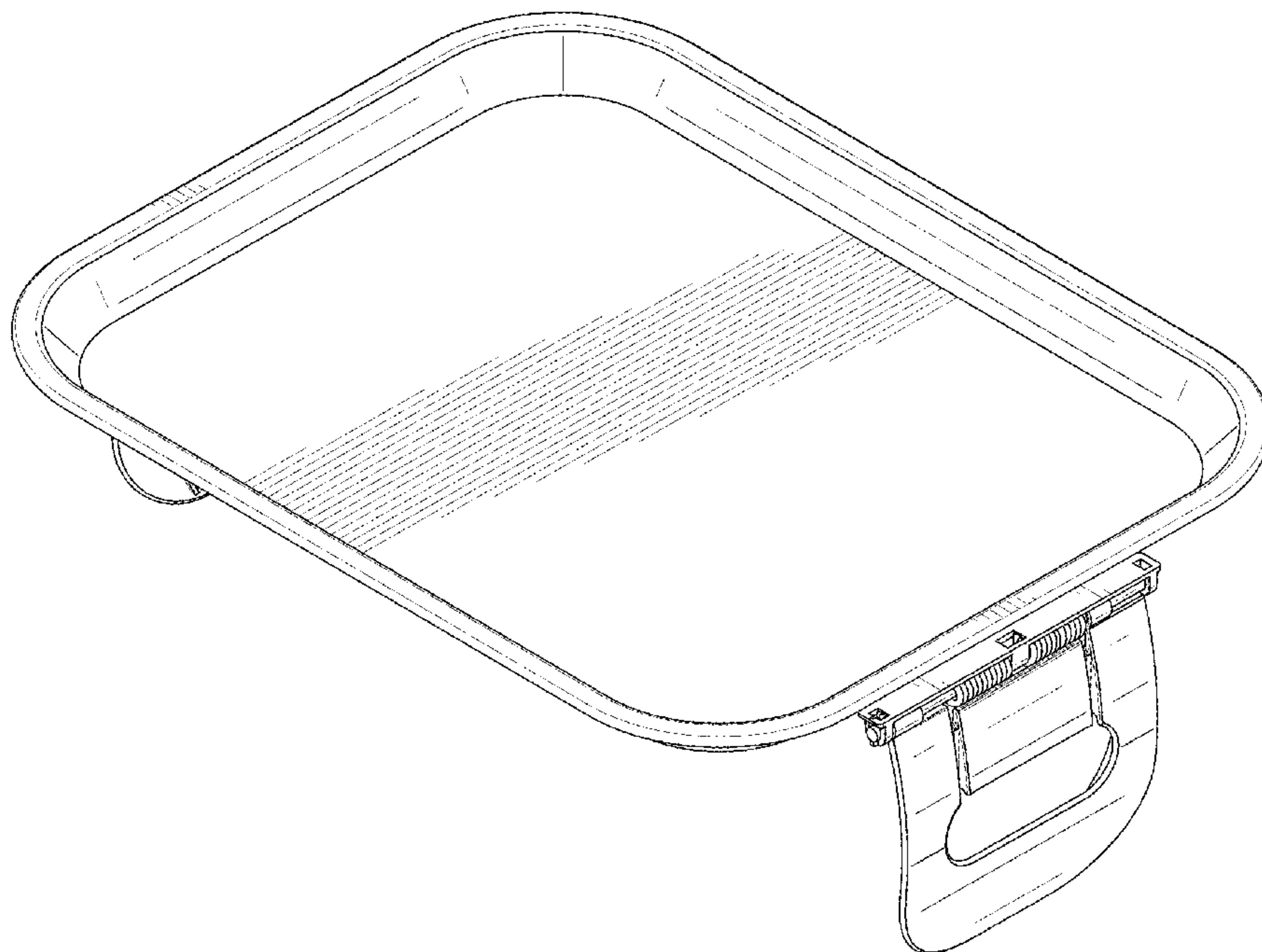
FIG. 3 is a top plan view thereof;

FIG. 4 is a right side elevation view thereof, the left side elevation view being a substantially a mirror image thereof;

FIG. 5 is a bottom plan view thereof; and,

FIG. 6 is a bottom perspective view thereof.

**1 Claim, 6 Drawing Sheets**



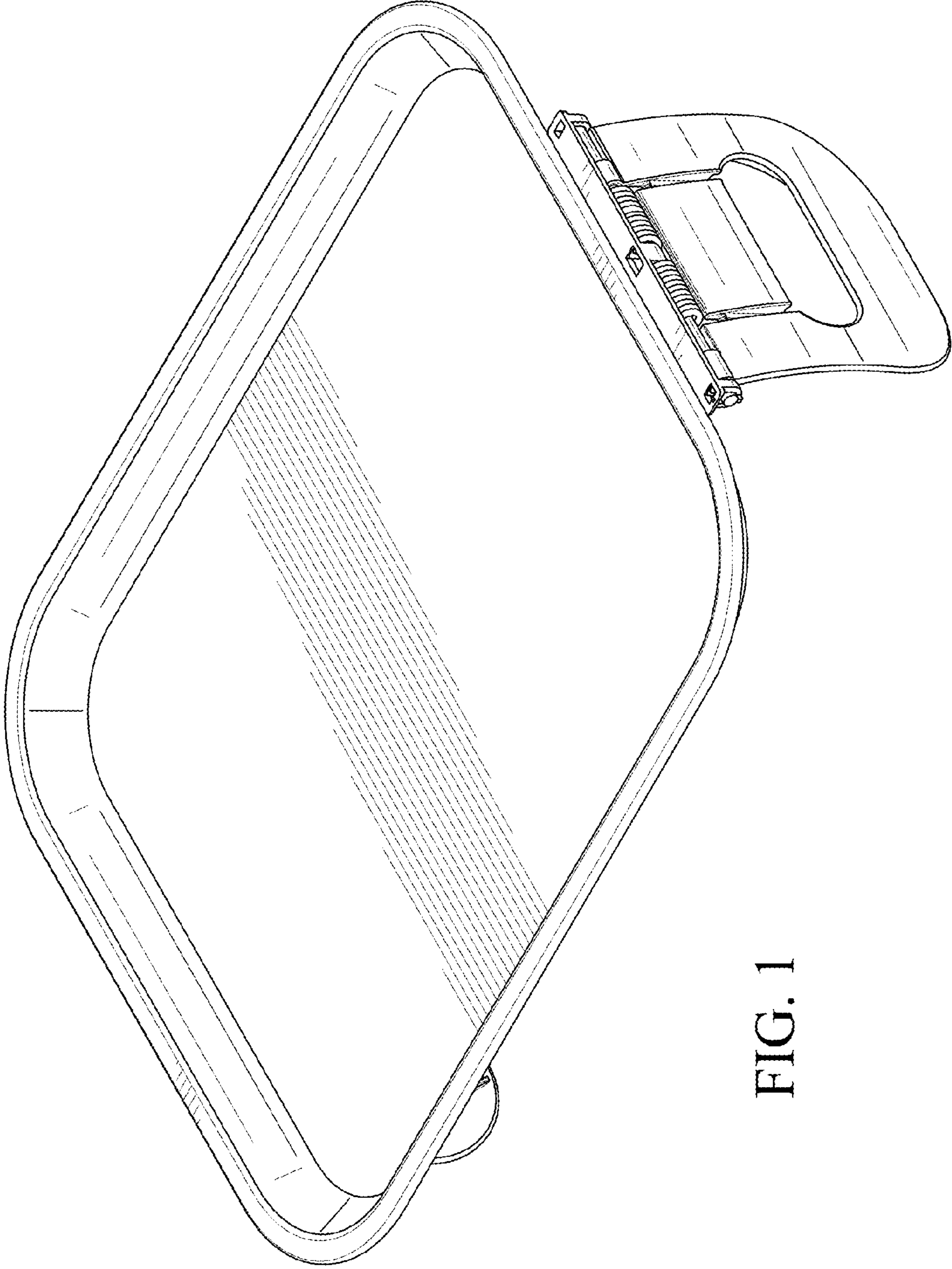


FIG. 1

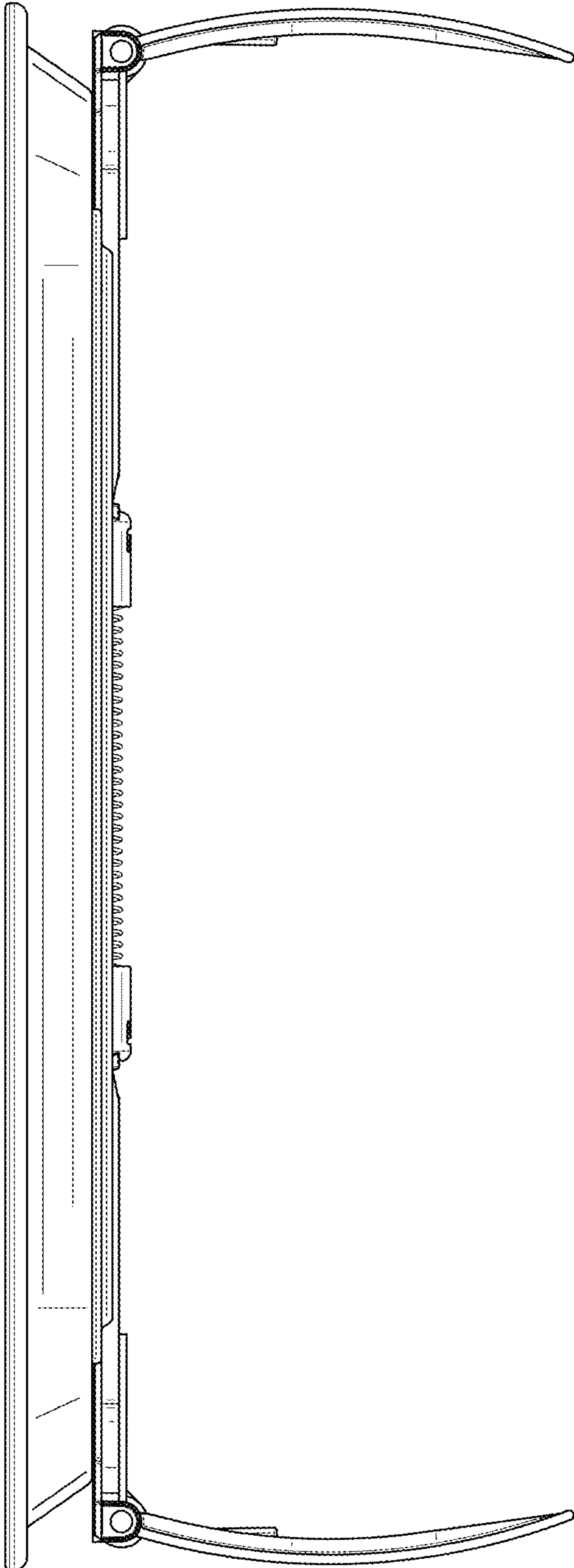


FIG. 2

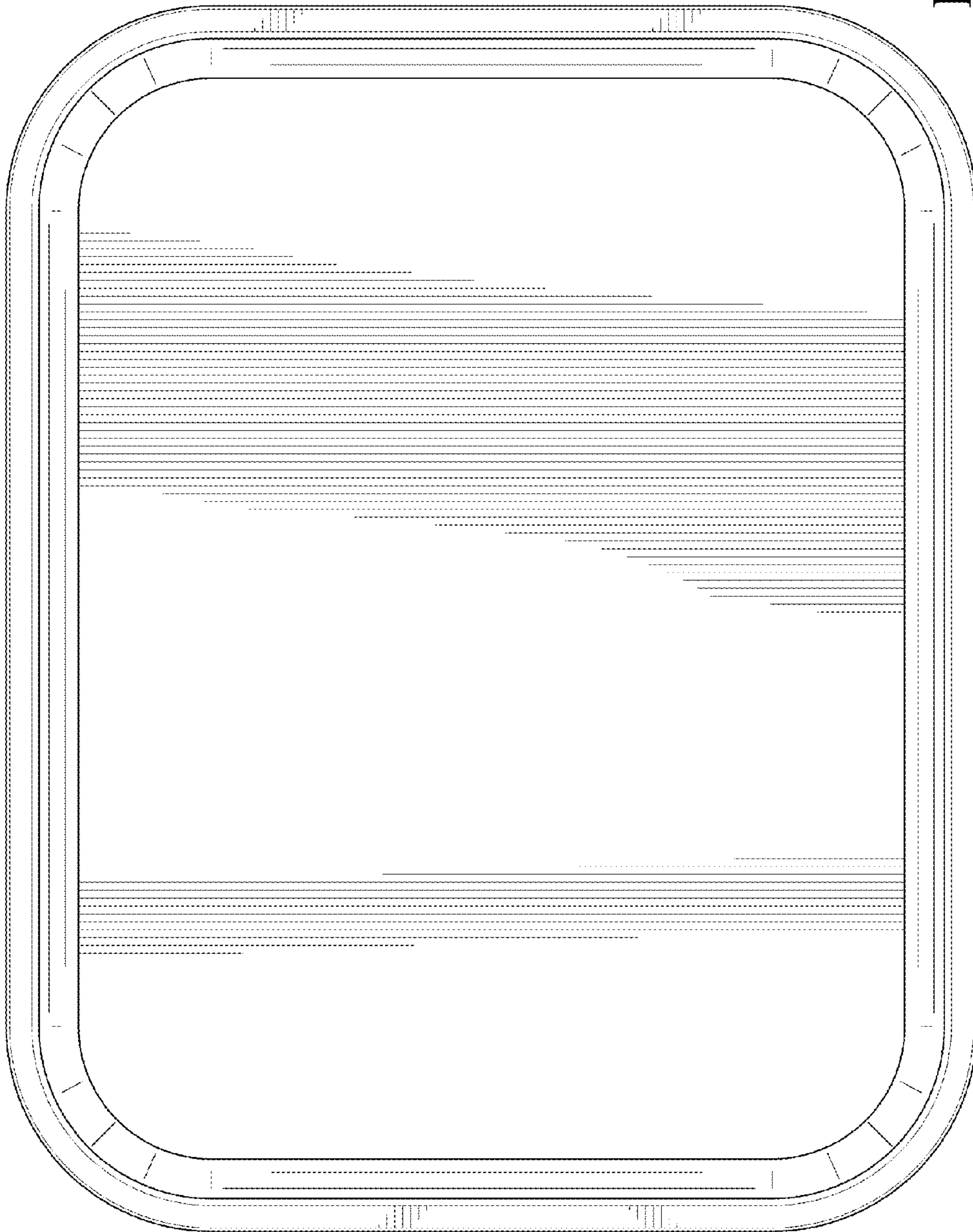


FIG. 3



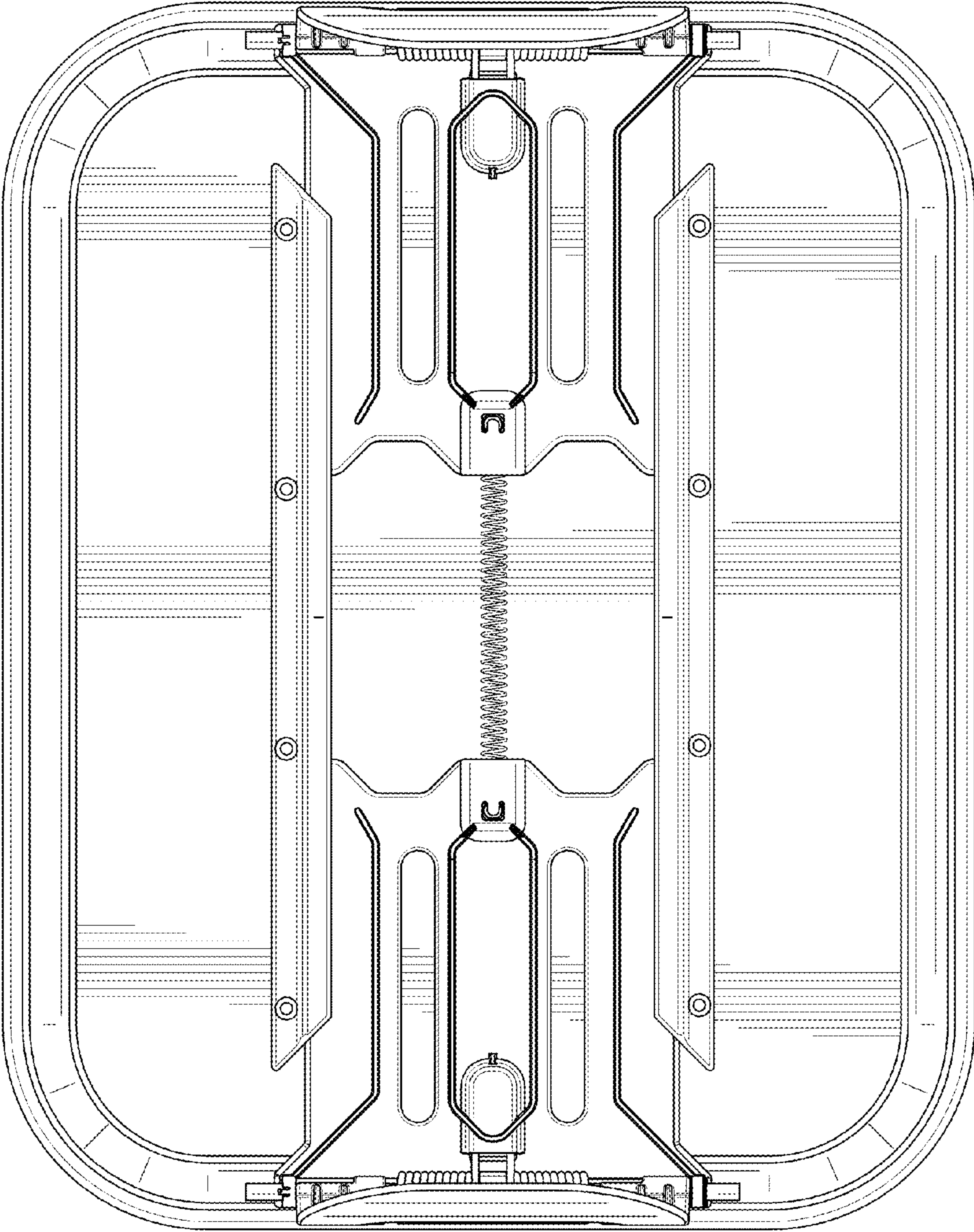


FIG. 4

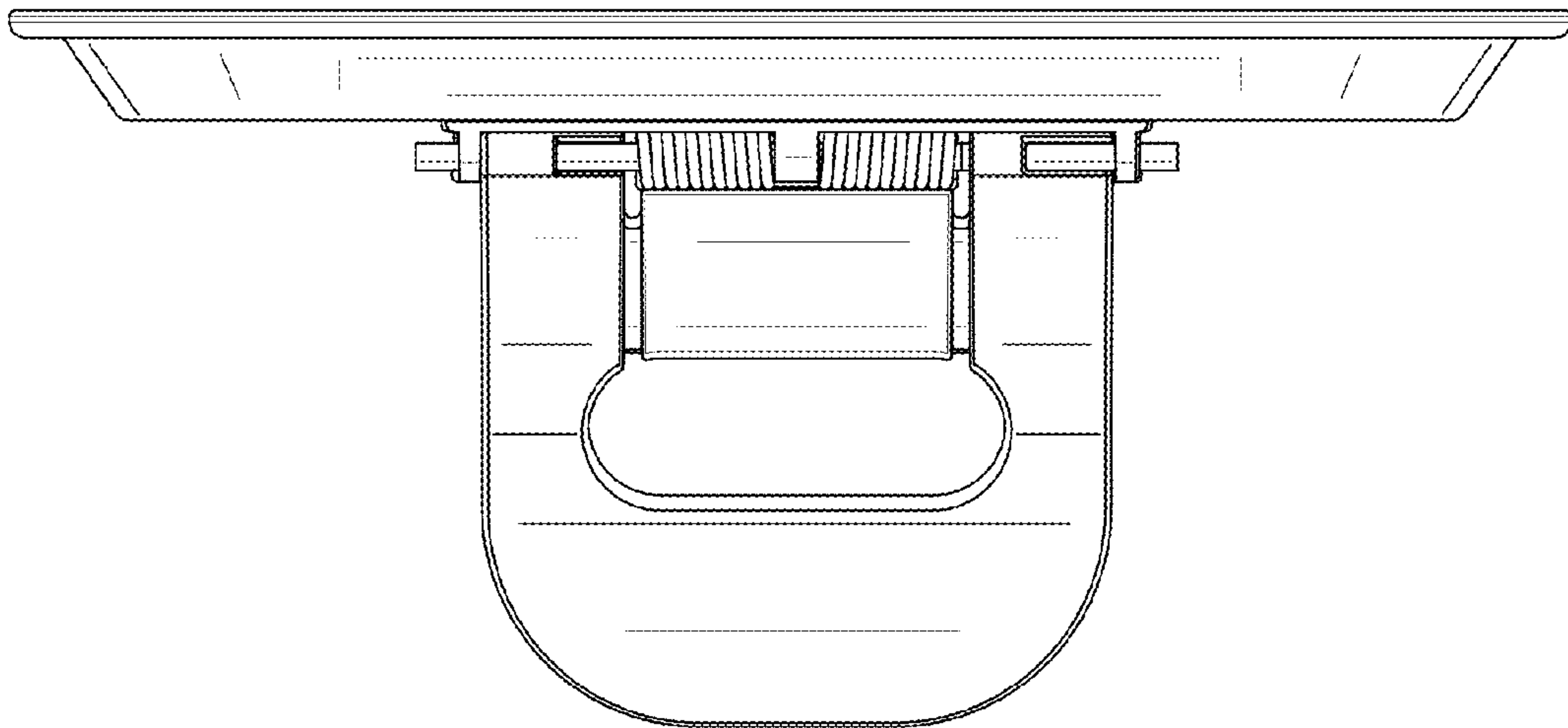


FIG. 5

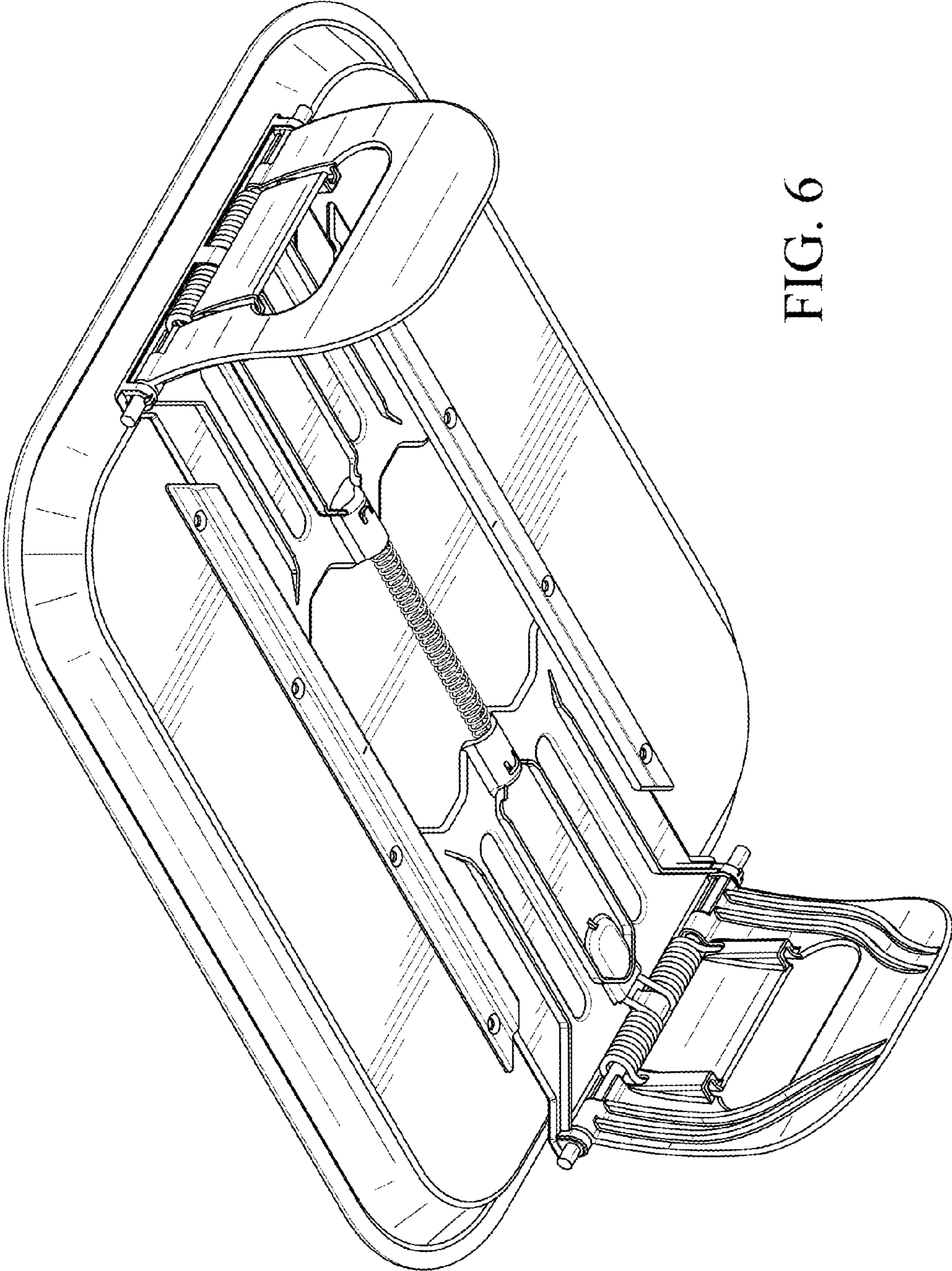


FIG. 6