

US00D754987S

(12) **United States Design Patent**
Davis

(10) **Patent No.:** **US D754,987 S**
(45) **Date of Patent:** **** May 3, 2016**

- (54) **BASSINET**
- (71) Applicant: **Bradford L. Davis**, Holland, MI (US)
- (72) Inventor: **Bradford L. Davis**, Holland, MI (US)
- (**) Term: **14 Years**
- (21) Appl. No.: **29/506,347**
- (22) Filed: **Oct. 15, 2014**
- (51) **LOC (10) Cl.** **06-02**
- (52) **U.S. Cl.**
USPC **D6/390**
- (58) **Field of Classification Search**
USPC D6/390, 391, 331, 333, 389, 718.26,
D6/385, 668, 668.1; D34/19-31
CPC A47D 7/00; A47D 7/03; A47D 7/007;
A47D 7/02; A47D 7/002; A47D 9/00; A47D
13/06; A47D 13/061; A47D 13/063; A47D
5/00; A47D 5/006
See application file for complete search history.

- D357,781 S 4/1995 Crinion
- D373,489 S 9/1996 Tabbia
- D407,233 S 3/1999 Naas et al.
- D643,645 S 8/2011 Davis
- 2014/0310870 A1* 10/2014 Czach A47D 9/00
5/11

* cited by examiner

Primary Examiner — Janice Seeger
(74) *Attorney, Agent, or Firm* — Warner Norcross & Judd
LLP

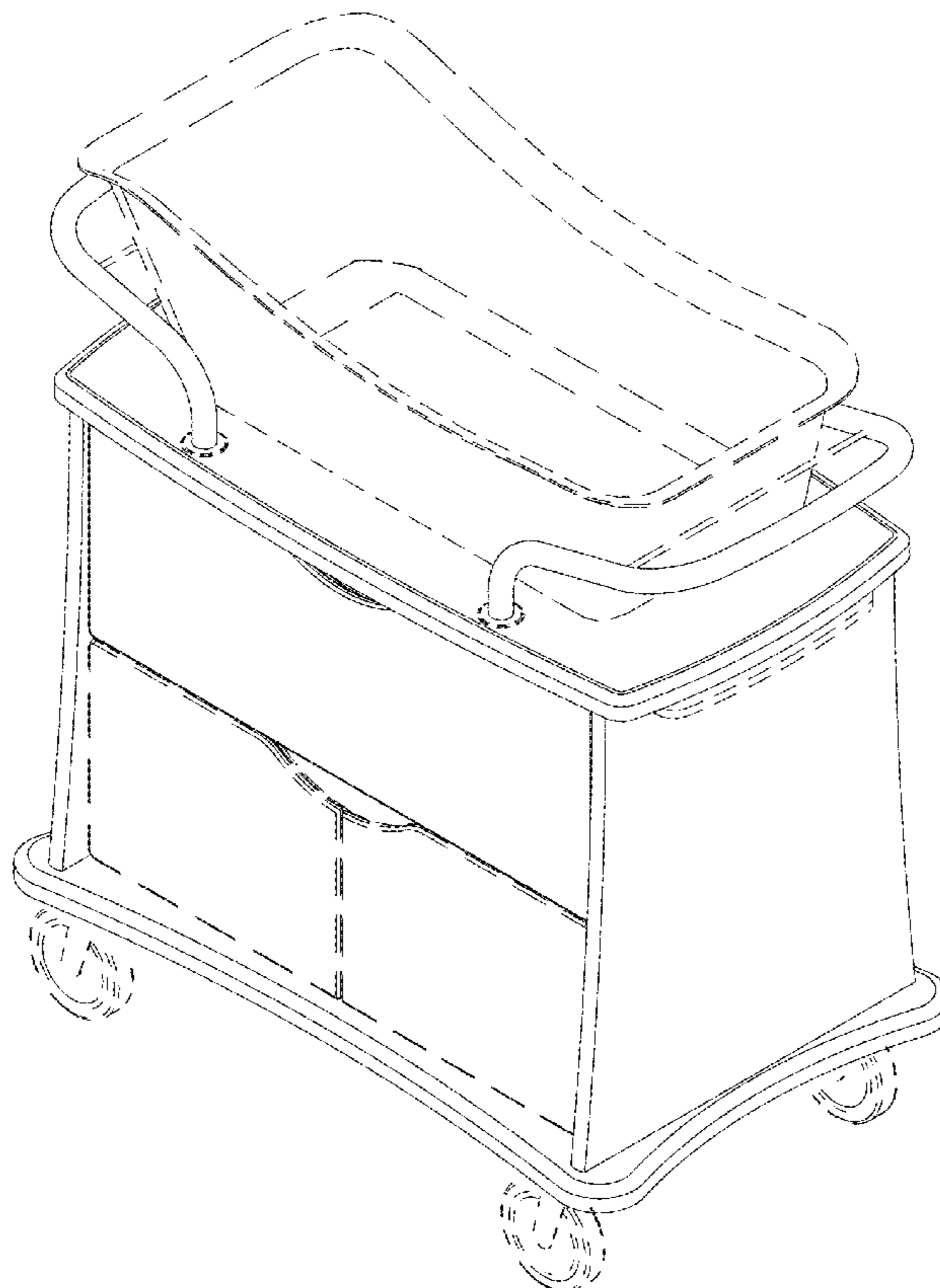
(57) **CLAIM**
The ornamental design for a bassinet, as shown and
described.

DESCRIPTION

FIG. 1 is a perspective view of the bassinet embodying my
new design;
FIG. 2 is a front view thereof;
FIG. 3 is a rear view thereof;
FIG. 4 is a top plan view thereof;
FIG. 5 is a bottom plan view thereof;
FIG. 6 is a right side view thereof; and,
FIG. 7 is a left side view thereof.
FIGS. 1-7 show a bassinet tub and portions of the bassinet in
broken lines. The broken lines are shown for environmental
purposes and form no part of the claimed design.

1 Claim, 7 Drawing Sheets

- (56) **References Cited**
U.S. PATENT DOCUMENTS
D93,203 S 9/1934 Burst
D136,011 S 7/1943 Doty
D183,345 S 8/1958 Gottlieb
D250,584 S 12/1978 Oye



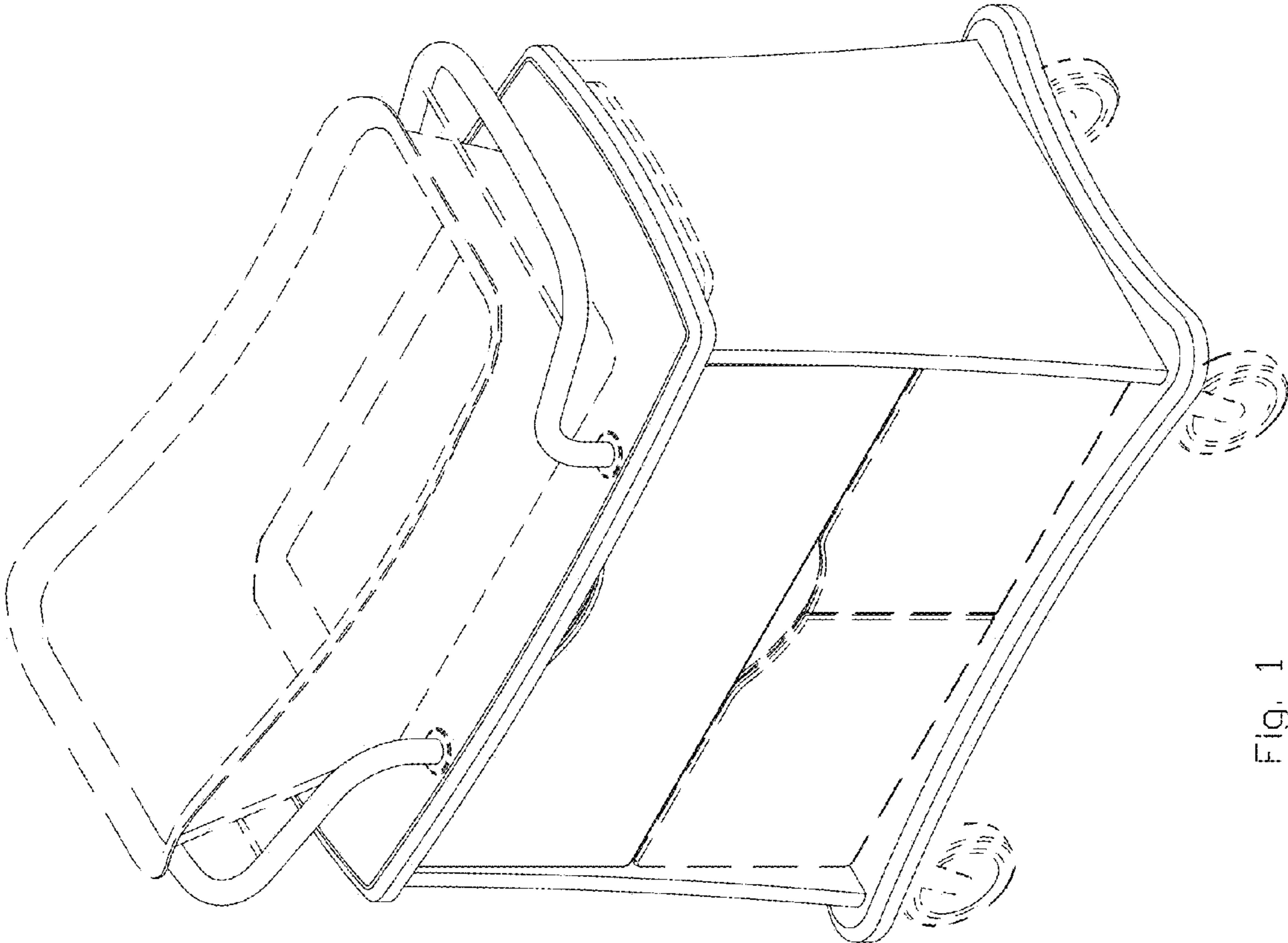


Fig. 1

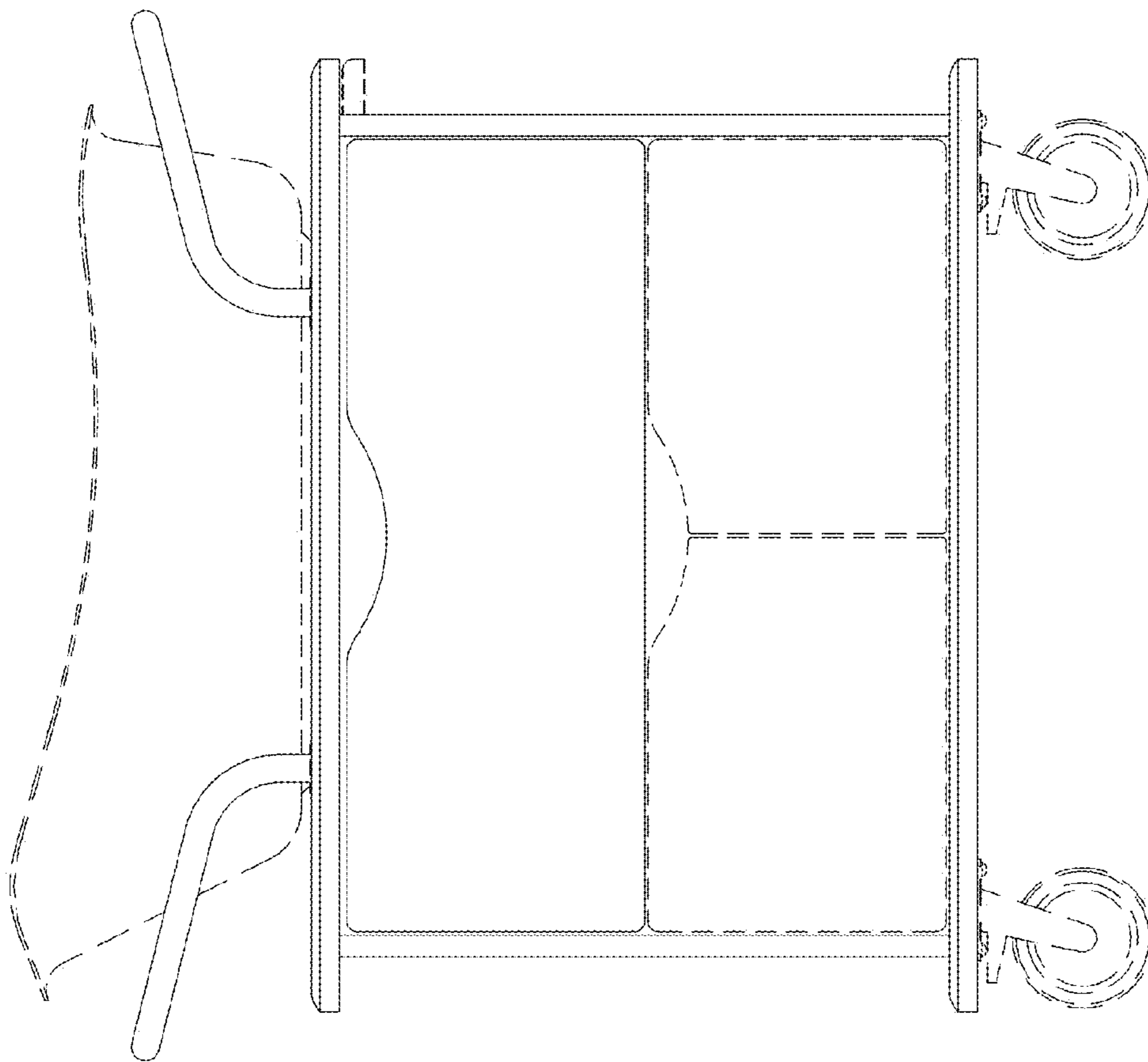


FIG. 2

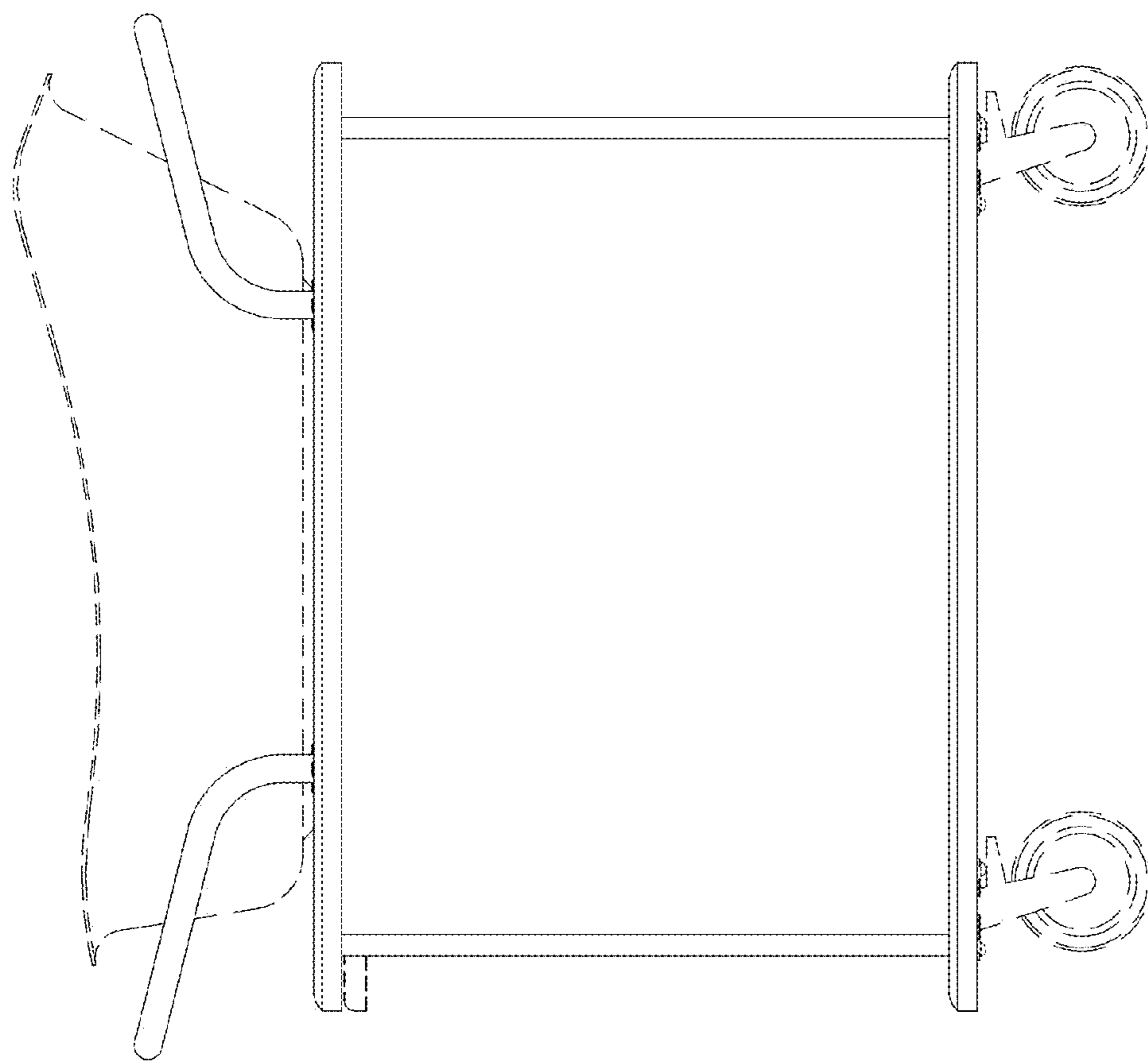


FIG. 3

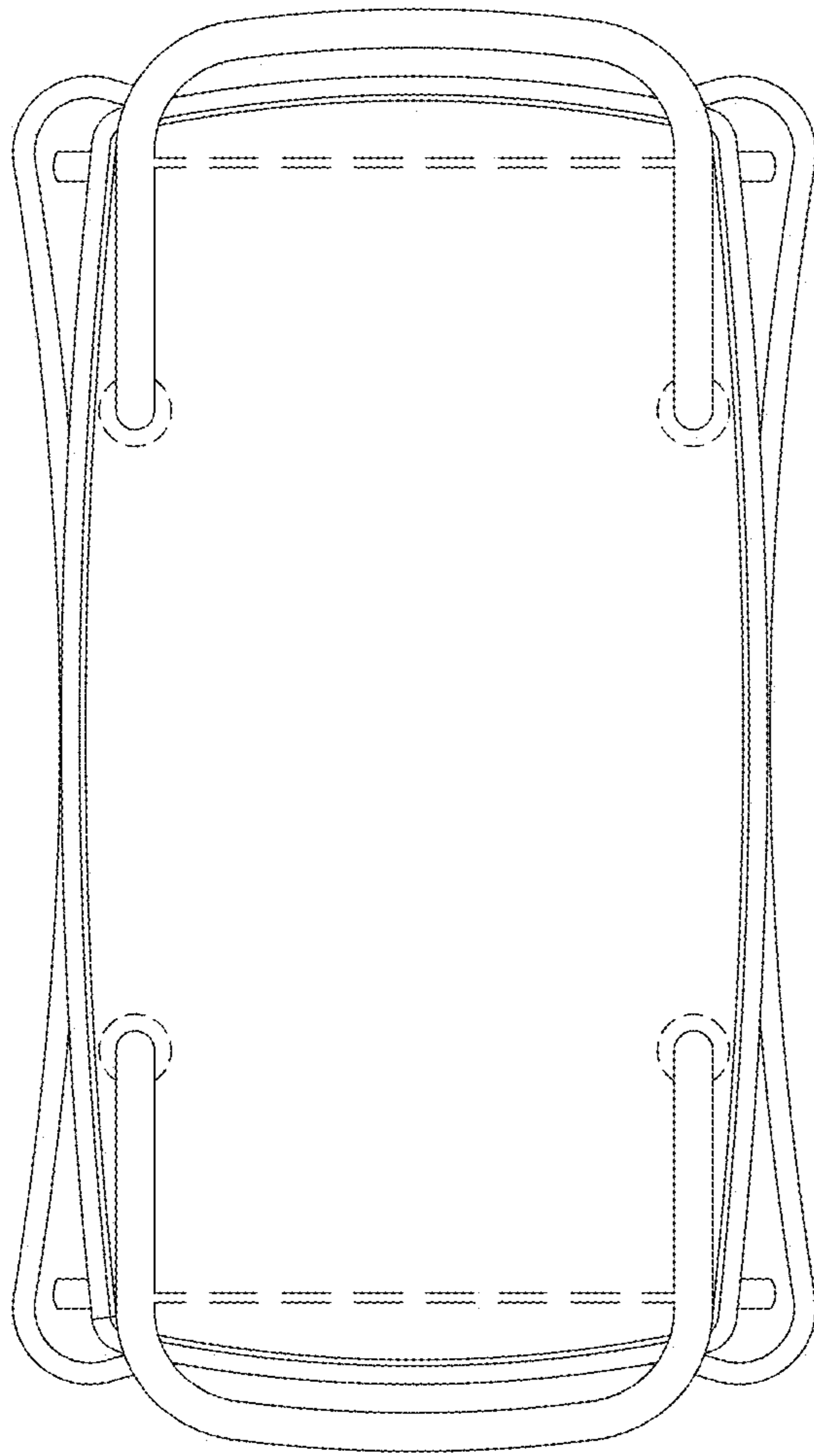


Fig. 4

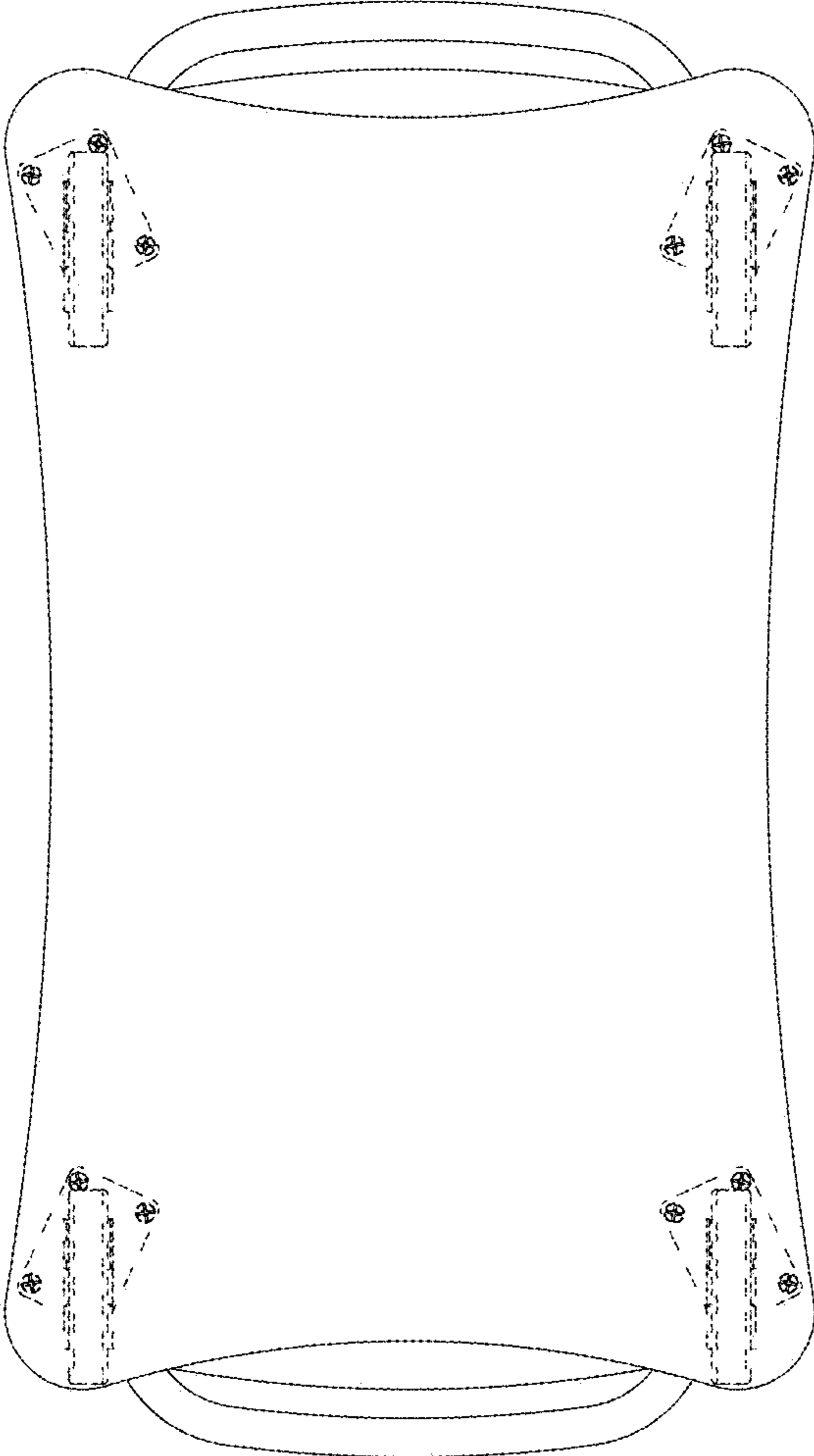


Fig. 5

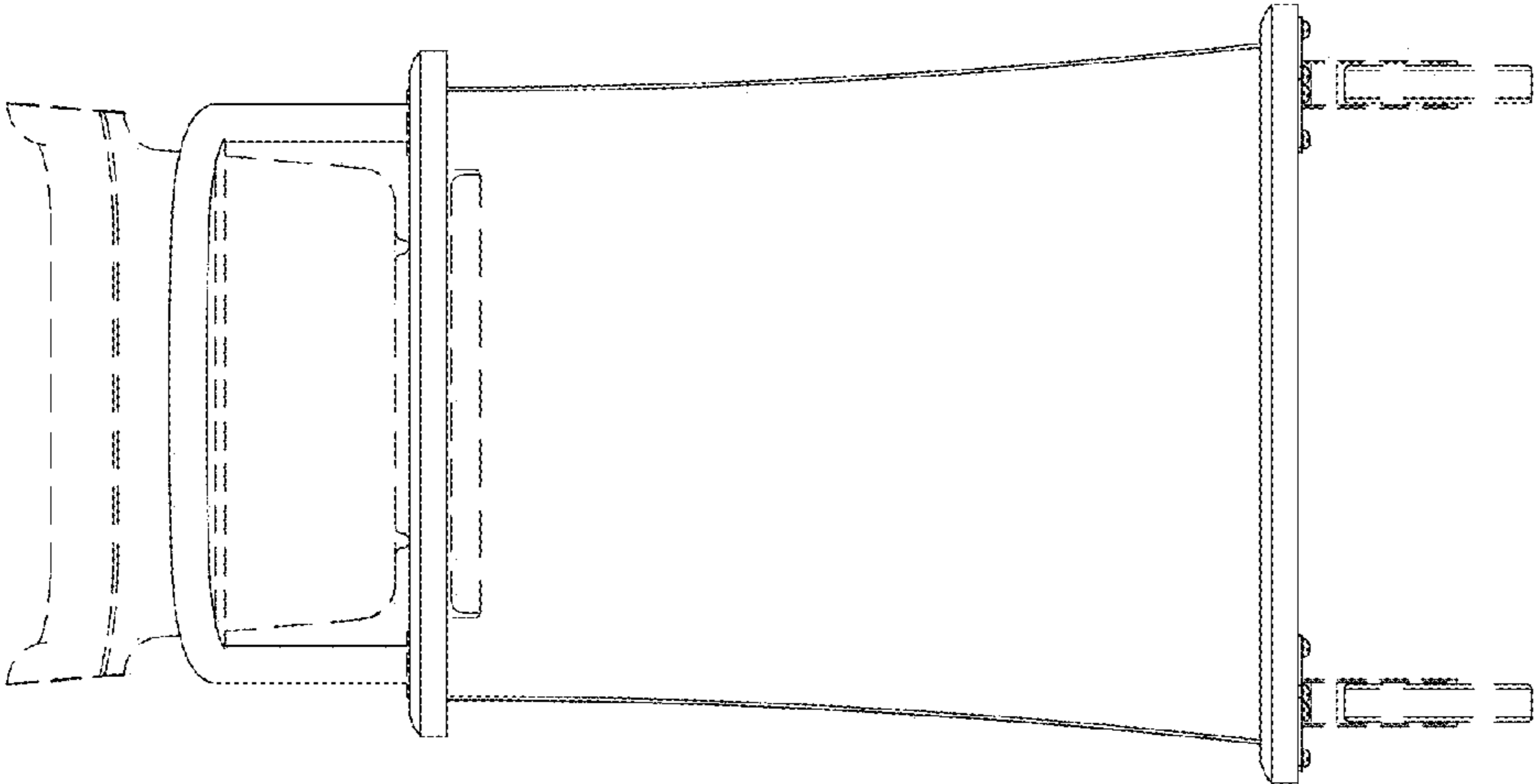


Fig. 6

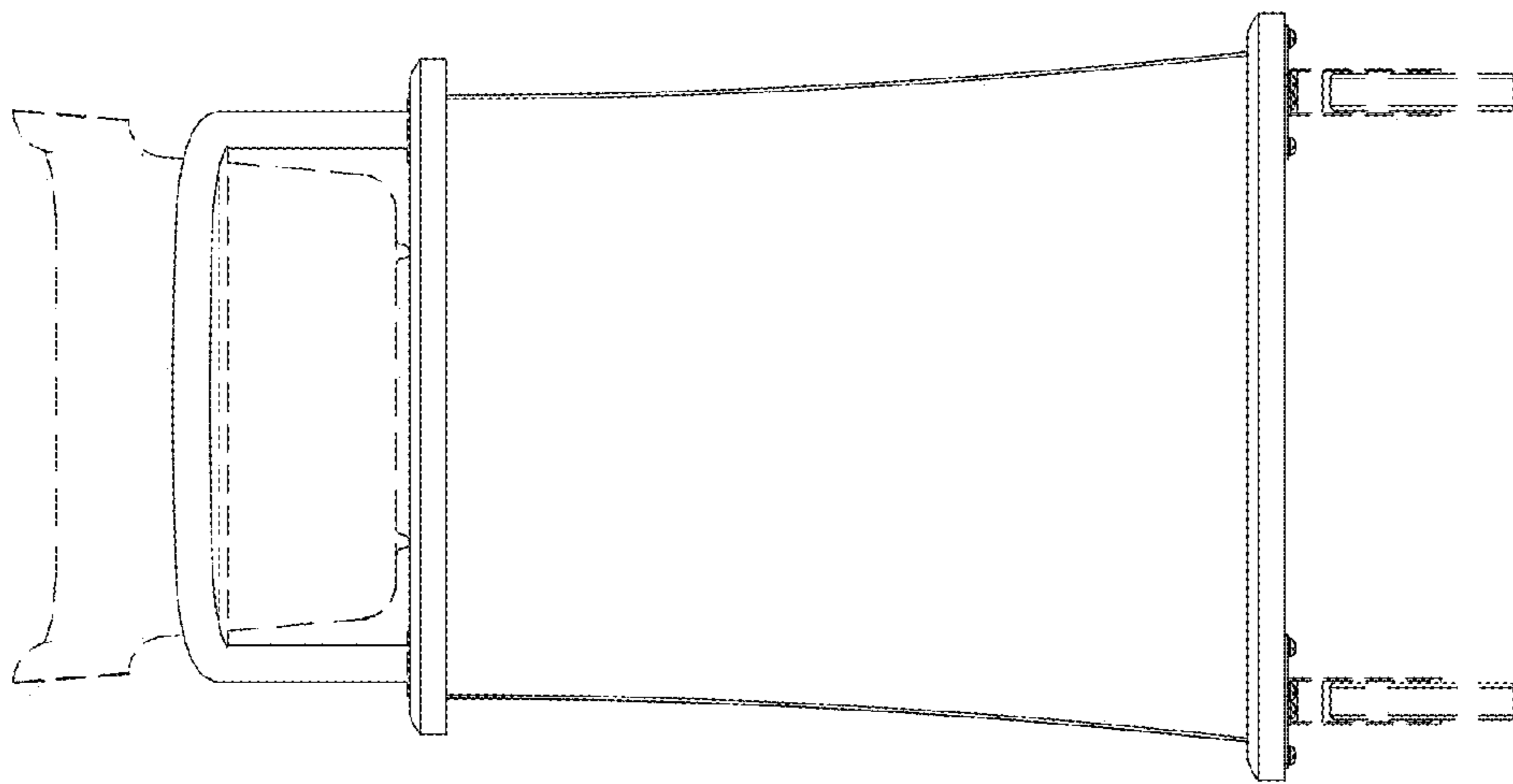


FIG. 7