



US00D754976S

(12) **United States Design Patent**  
**Harrington et al.**

(10) **Patent No.:** **US D754,976 S**  
(45) **Date of Patent:** **\*\* May 3, 2016**

(54) **BRUSH HANDLE**

Y10T 16/44; Y10T 16/469; Y10T 16/4713;  
Y10T 16/476

(71) Applicant: **Unger Marketing International, LLC**,  
Bridgeport, CT (US)

See application file for complete search history.

(72) Inventors: **William Harrington**, Charlestown, RI  
(US); **James M. Buckley**, New Hartford,  
CT (US); **John A. Triunfo**, Fairfield, CT  
(US)

(56) **References Cited**

U.S. PATENT DOCUMENTS

D20,551 S	3/1891	Schmidt
D20,553 S	3/1891	Schmidt
D22,310 S	3/1893	Stein
D212,668 S	11/1968	Miller
D227,827 S	7/1973	Lindbo

(Continued)

(73) Assignee: **Unger Marketing International, LLC**,  
Bridgeport, CT (US)

OTHER PUBLICATIONS

(\*\*) Term: **14 Years**

Notice of Allowance in parent U.S. Appl. No. 29/485,934 dated Jul.  
21, 2015.

(21) Appl. No.: **29/508,333**

*Primary Examiner* — Garth Rademaker

(22) Filed: **Nov. 5, 2014**

*Assistant Examiner* — Lloreyls Martinez-Rivera

**Related U.S. Application Data**

(74) *Attorney, Agent, or Firm* — Ohlandt, Greeley, Ruggiero  
& Perle, LLP

(63) Continuation-in-part of application No. 29/485,934,  
filed on Mar. 25, 2014, now Pat. No. Des. 743,702.

(51) **LOC (10) Cl.** ..... **04-01**

(57) **CLAIM**

The ornamental design for a brush handle, as shown.

(52) **U.S. Cl.**

USPC ..... **D4/138**

**DESCRIPTION**

(58) **Field of Classification Search**

USPC ..... D4/104–113, 116–117, 121, 123,  
D4/130–138; 15/106, 110, 111, 143.1,  
15/144.1, 145, 159.1, 160, 167.1, 167.2,  
15/172, 176.1, 184, 186–188, 201, 203;  
132/119–121, 123, 137, 142, 151, 271,  
132/308, 309, 311, 313; D24/147, 152,  
D24/154; D3/12, 16; D8/107, 303, 308,  
D8/309, 315; 16/422, 426, 430, 444, 900  
CPC ..... A46B 5/02; A46B 5/021; A46B 5/023;  
A46B 5/025; A46B 5/026; A46B 5/028;  
B25G 1/00; B25G 1/10; B25G 1/102; Y10S  
16/12; Y10S 16/18; Y10S 16/19; Y10S 16/90;

FIG. 1 is a front perspective view of a brush handle showing  
our new design;

FIG. 2 is a rear perspective view of the brush handle of FIG.  
**1**;

FIG. 3 is a first side view of the brush handle of FIG. **1**;

FIG. 4 is a second, opposite side view of the brush handle of  
FIG. **1**;

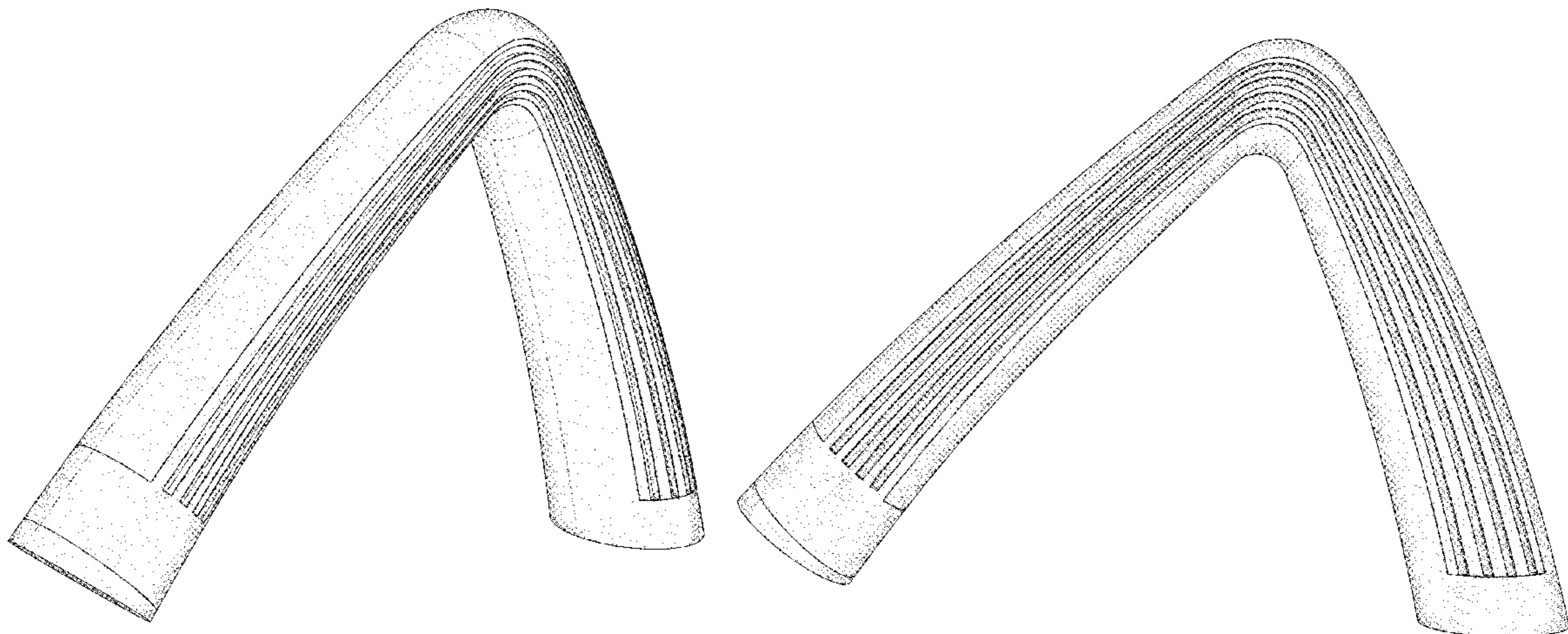
FIG. 5 is a front view of the brush handle of FIG. **1**;

FIG. 6 is a rear view of the brush handle of FIG. **1**;

FIG. 7 is a top view of the brush handle of FIG. **1**; and,

FIG. 8 is a bottom view of the brush handle of FIG. **1**.

**1 Claim, 6 Drawing Sheets**



(56)

References Cited

U.S. PATENT DOCUMENTS

3,751,094 A 8/1973 Bohler  
4,197,611 A 4/1980 Bell et al.  
D258,861 S 4/1981 Bratton et al.  
4,721,021 A 1/1988 Kuszniir  
4,739,536 A 4/1988 Bandera et al.  
D296,946 S 7/1988 Stirling  
D308,157 S 5/1990 Maxian  
4,974,286 A 12/1990 Stowell et al.  
D333,239 S 2/1993 Pogue  
D354,881 S 1/1995 Huff  
D361,695 S 8/1995 Sutker  
5,446,941 A 9/1995 Kelsay  
D373,506 S 9/1996 Viemeister  
D380,345 S 7/1997 Lu  
D384,242 S 9/1997 Ancona et al.  
D389,698 S 1/1998 Cohen et al.  
D396,168 S 7/1998 Cohen et al.  
D399,388 S 10/1998 Cohen et al.  
5,853,010 A \* 12/1998 Suh ..... A45D 2/48  
132/217  
5,857,241 A 1/1999 Camp, Jr. et al.  
D406,491 S 3/1999 Cohen et al.  
D411,343 S \* 6/1999 Brightbill ..... D3/16  
D411,410 S 6/1999 Pedrini  
5,964,009 A 10/1999 Hoepfl et al.  
D417,083 S \* 11/1999 Yun ..... D4/138  
D426,134 S \* 6/2000 Pytlewski ..... D8/107  
D431,753 S 10/2000 Cohen et al.  
D434,231 S 11/2000 Chen  
RE37,190 E 5/2001 Stowell et al.  
6,237,193 B1 5/2001 Skerker et al.  
6,256,828 B1 7/2001 Sauer  
D446,025 S 8/2001 Petner  
6,273,626 B1 8/2001 Yazawa  
D448,176 S 9/2001 Petner  
D454,251 S \* 3/2002 De Swarte ..... D4/101

6,352,662 B1 3/2002 Murphy et al.  
D461,058 S 8/2002 Hay  
6,633,309 B2 10/2003 Lau et al.  
D500,600 S 1/2005 Hay et al.  
D500,927 S 1/2005 Hay  
D502,002 S 2/2005 Conway et al.  
D502,324 S 3/2005 Conway et al.  
D508,631 S 8/2005 Cuillery  
D509,991 S 9/2005 Costello et al.  
D520,852 S 5/2006 Minkler et al.  
D534,725 S 1/2007 Vu  
D553,907 S 10/2007 Catalano et al.  
D554,817 S 11/2007 Talesfore et al.  
D557,084 S 12/2007 Yamanaka et al.  
D562,516 S 2/2008 Talesfore et al.  
D579,209 S 10/2008 Krause  
D584,061 S 1/2009 Meyer  
D586,877 S 2/2009 Li  
D586,962 S 2/2009 Li  
D591,956 S 5/2009 Treacy  
D594,274 S 6/2009 McKenzie  
D597,316 S 8/2009 Borovicka  
D606,320 S 12/2009 Meyer  
D607,169 S 12/2009 Weis et al.  
7,674,418 B2 3/2010 Matsumoto et al.  
D616,649 S 6/2010 Lin  
D624,264 S 9/2010 Li  
D630,888 S 1/2011 Bodum  
D634,426 S \* 3/2011 Zollers ..... D24/147  
D647,703 S 11/2011 Li  
D650,955 S 12/2011 Chapman et al.  
8,215,945 B2 7/2012 Matsumoto et al.  
D694,021 S 11/2013 Weaver et al.  
D734,123 S \* 7/2015 Chen ..... D8/308  
D743,702 S \* 11/2015 Harrington ..... D4/138  
D744,242 S \* 12/2015 Harrington ..... D4/138  
D744,243 S \* 12/2015 Harrington ..... D4/118  
D744,760 S \* 12/2015 Harrington ..... D4/138

\* cited by examiner

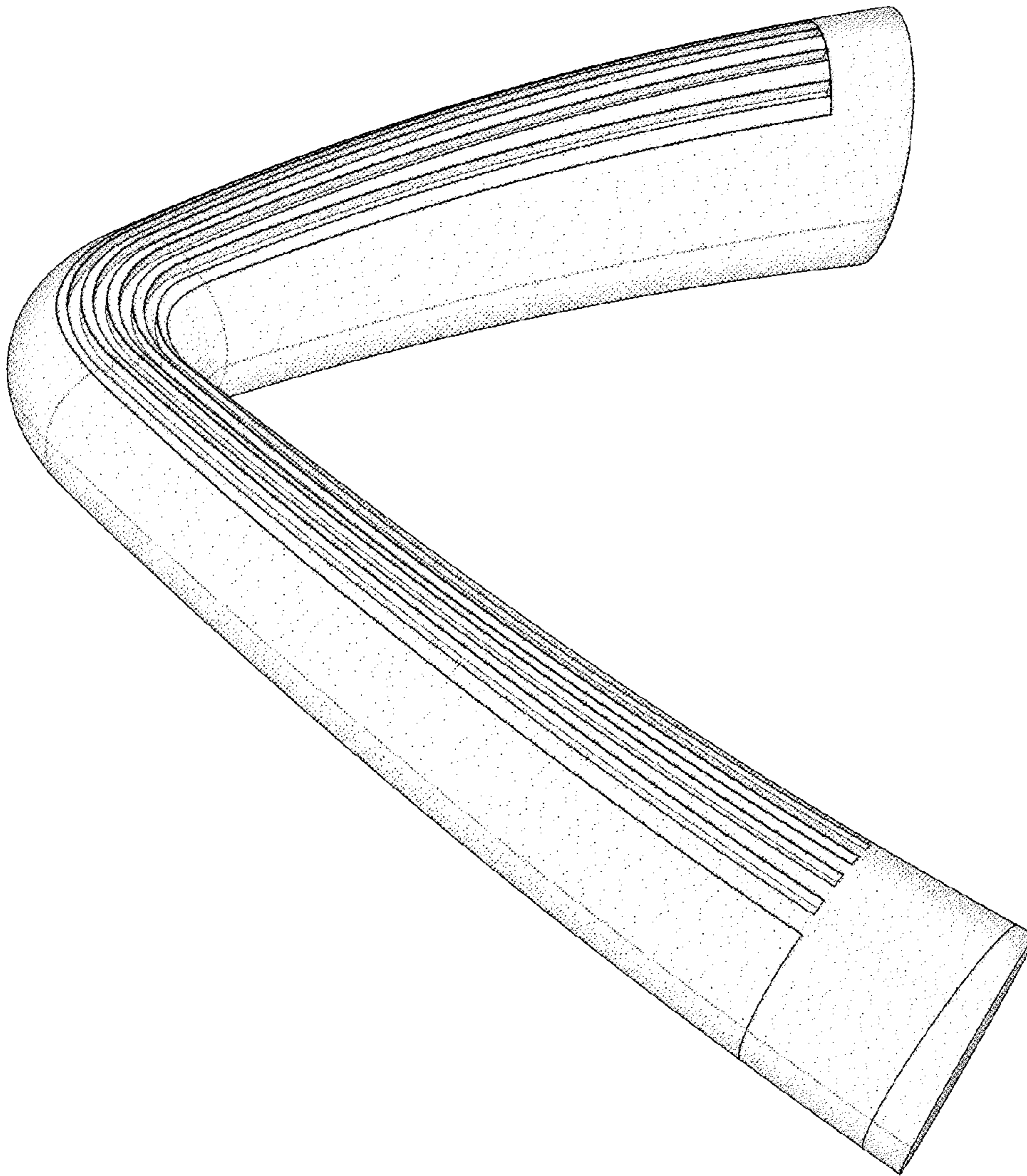


FIG. 1

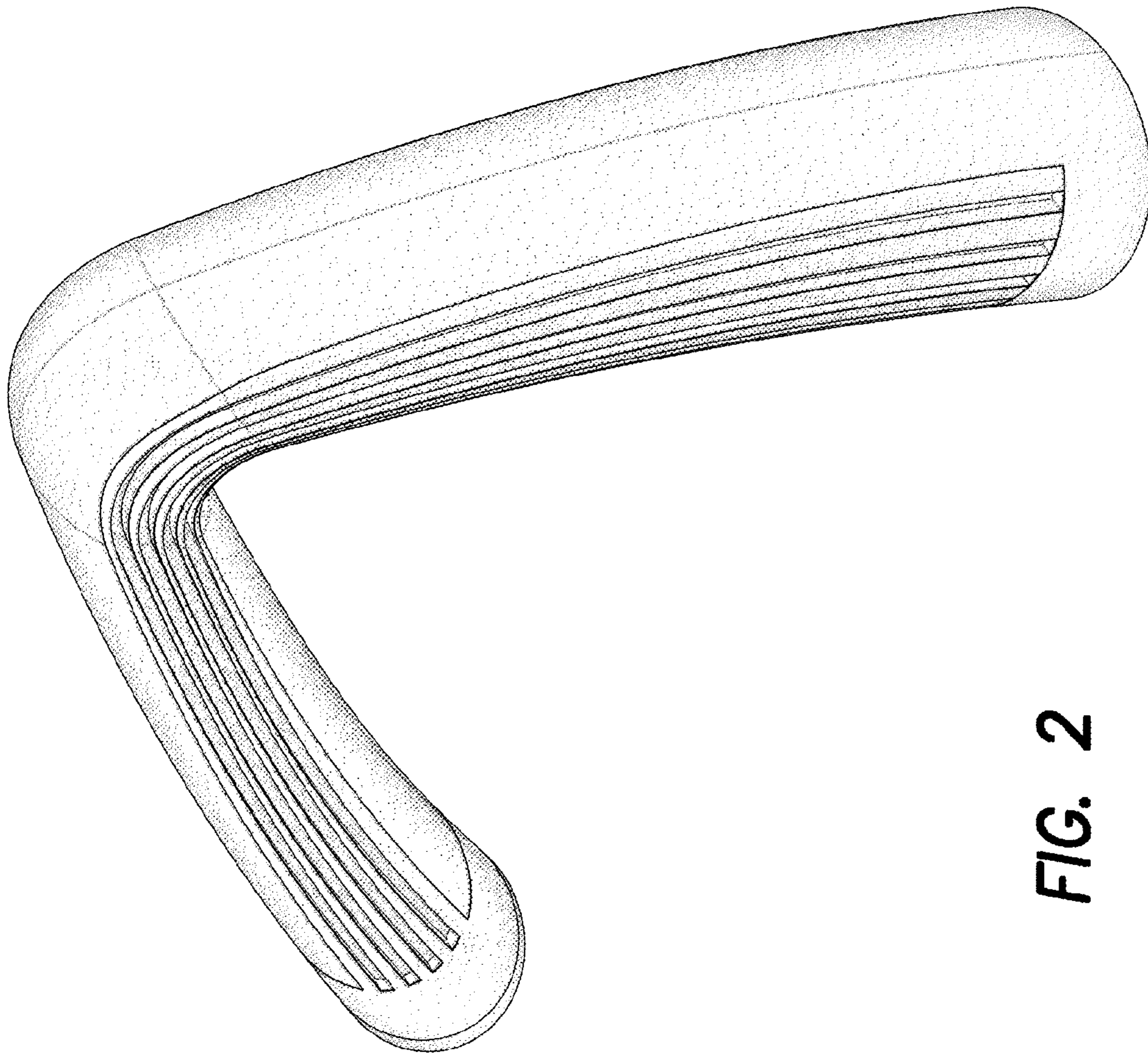
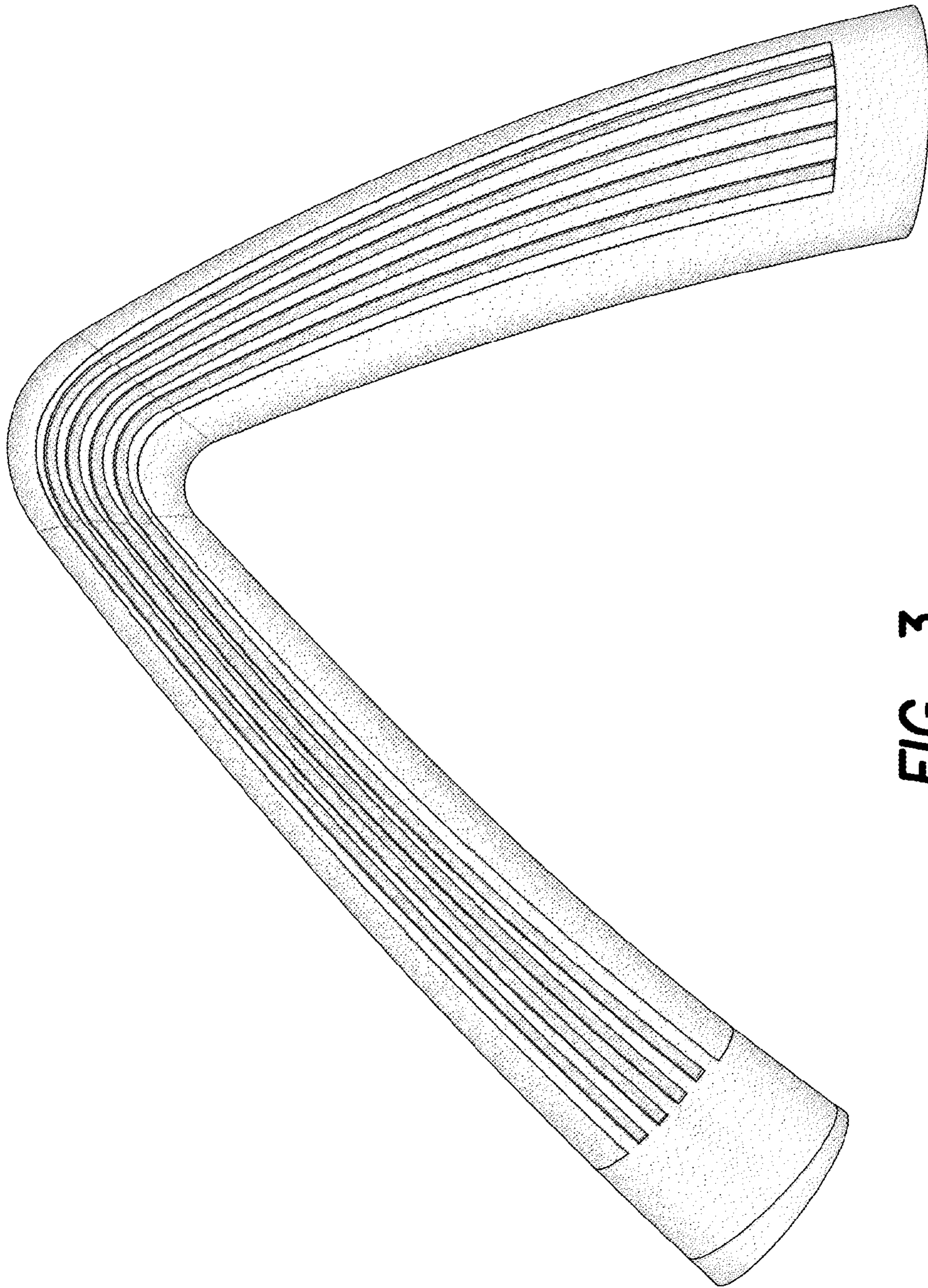
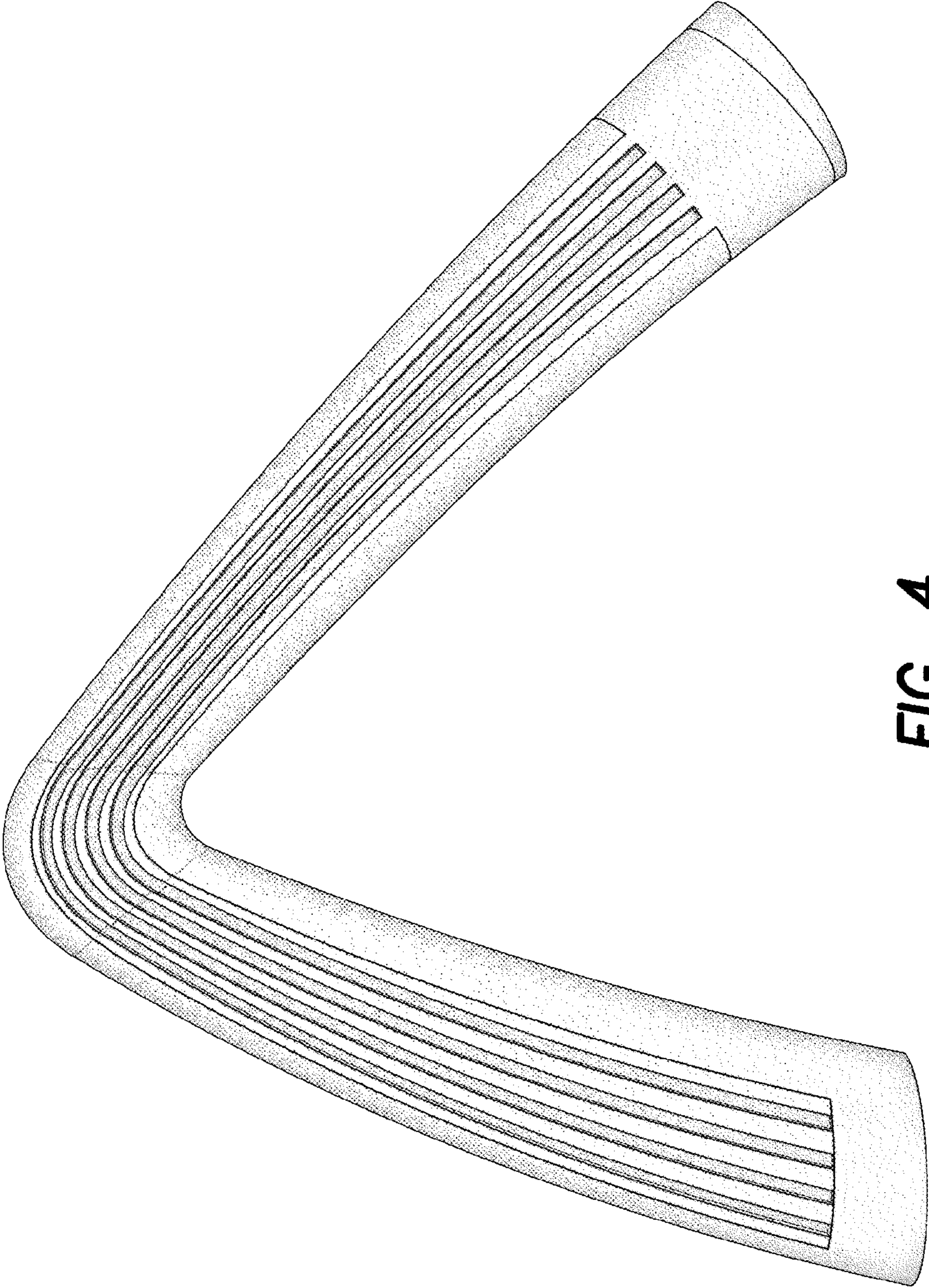


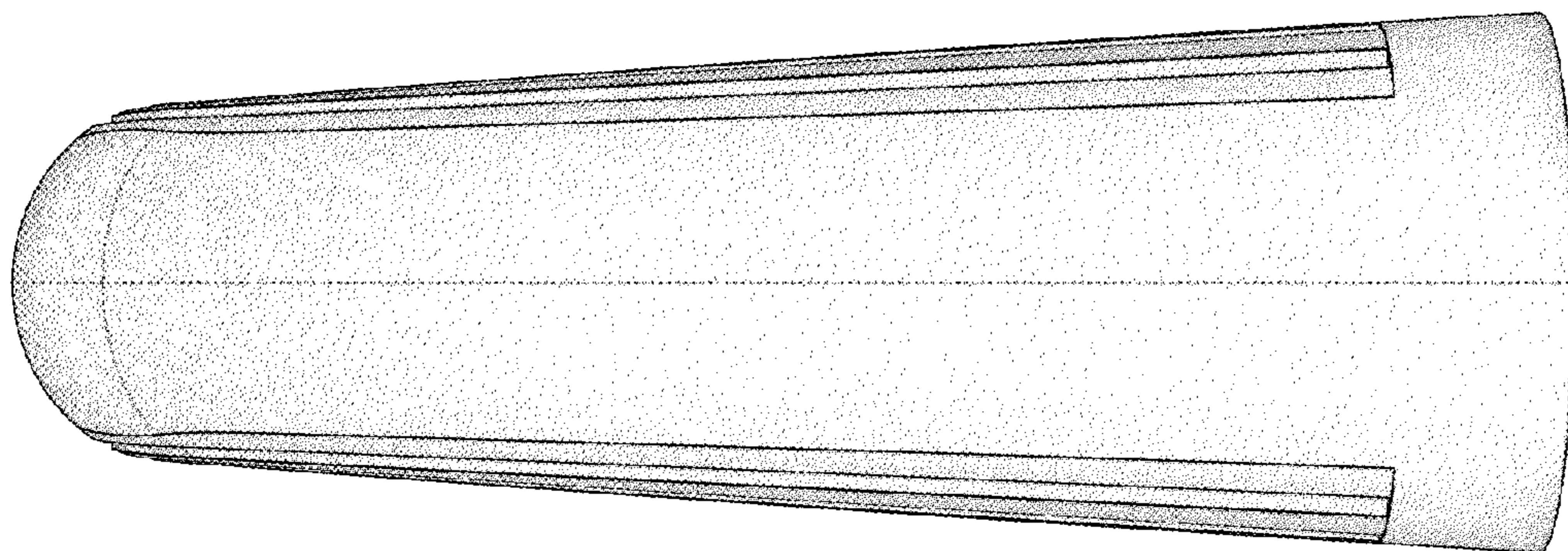
FIG. 2



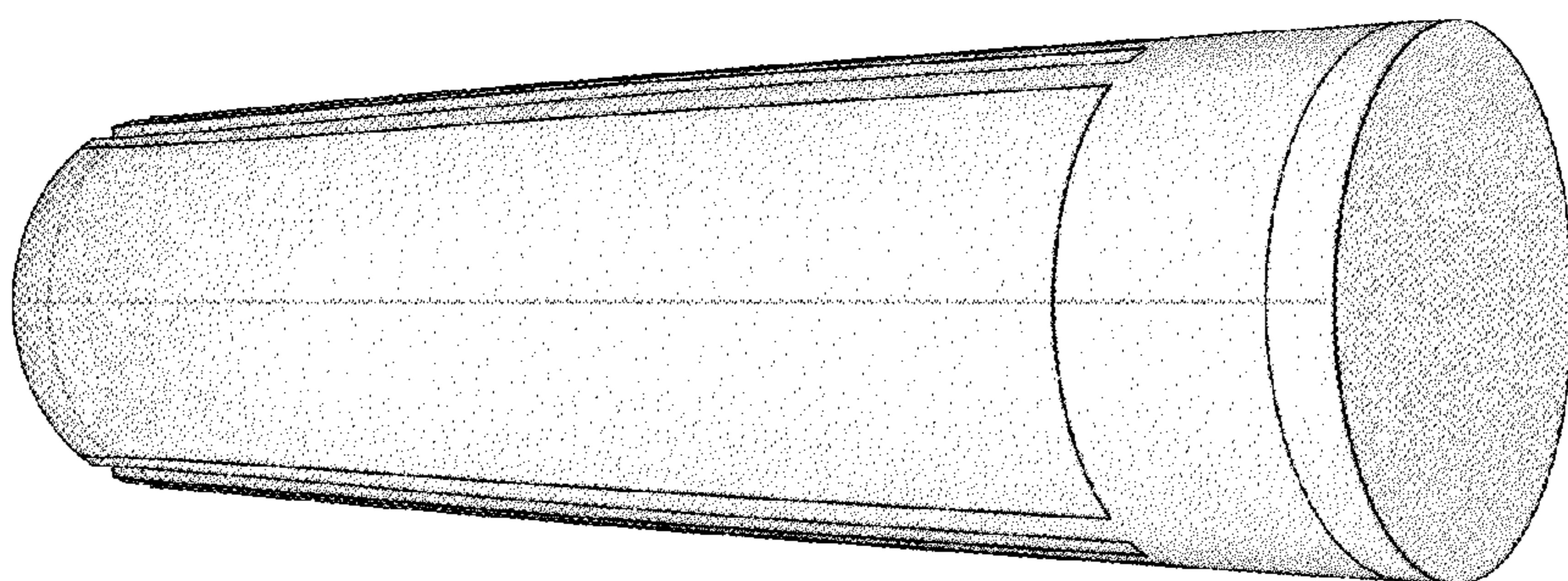
**FIG. 3**



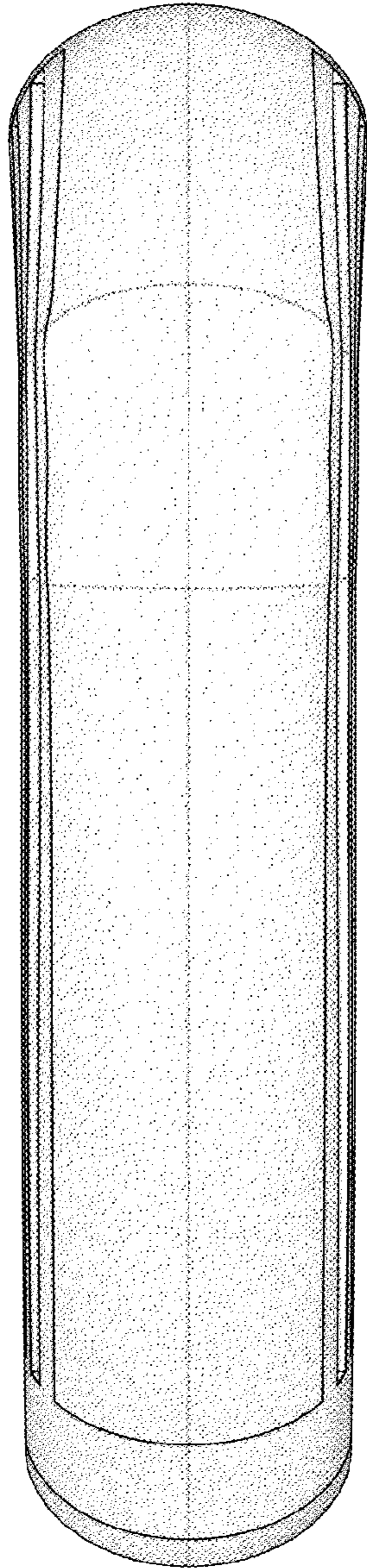
**FIG. 4**



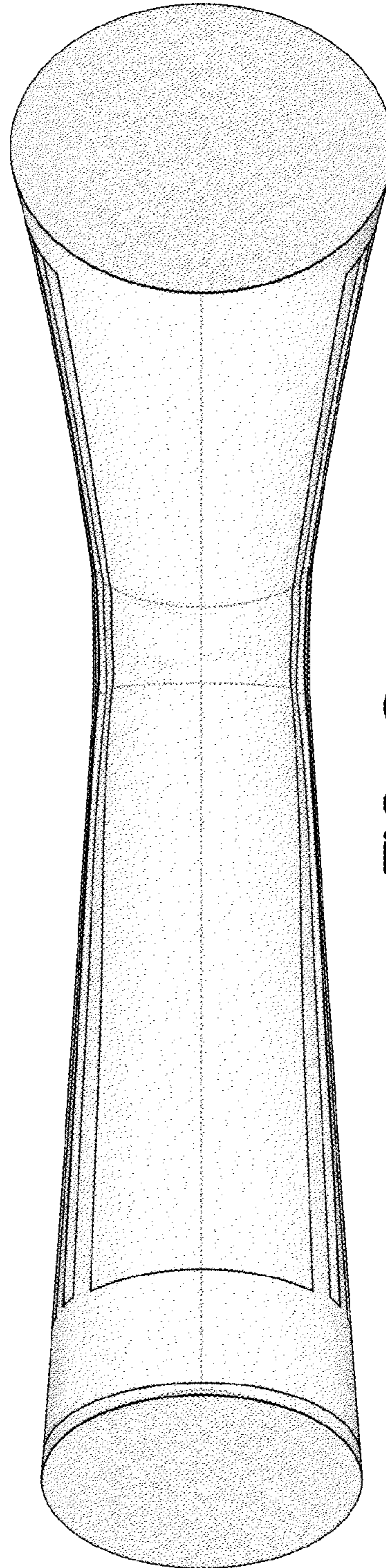
**FIG. 6**



**FIG. 5**



**FIG. 7**



**FIG. 8**