



US00D754975S

(12) **United States Design Patent**
Buckley et al.

(10) **Patent No.:** **US D754,975 S**
(45) **Date of Patent:** **** May 3, 2016**

(54) **BRUSH HANDLE**

(71) Applicant: **Unger Marketing International, LLC**,
Bridgeport, CT (US)

(72) Inventors: **James M. Buckley**, New Hartford, CT
(US); **William Harrington, Jr.**,
Charlestown, RI (US); **John A. Triunfo,**
Jr., Fairfield, CT (US)

(73) Assignee: **Unger Marketing International, LLC**,
Bridgeport, CT (US)

(**) Term: **14 Years**

(21) Appl. No.: **29/508,329**

(22) Filed: **Nov. 5, 2014**

(51) **LOC (10) Cl.** **04-01**

(52) **U.S. Cl.**

USPC **D4/138**

(58) **Field of Classification Search**

USPC D4/104–113, 116–117, 121, 123,
D4/130–138; 15/106, 110, 111, 143.1,
15/144.1, 145, 159.1, 160, 167.1, 167.2,
15/172, 176.1, 184, 186–188, 201, 203;
132/119–121, 123, 137, 142, 151, 271,
132/308, 309, 311, 313; D24/147, 152,
D24/154; D3/12, 16; D8/107, 303, 308,
D8/309, 315; 16/422, 426, 430, 444, 900
CPC A46B 5/02; A46B 5/021; A46B 5/023;
A46B 5/025; A46B 5/026; A46B 5/028;
B25G 1/00; B25G 1/10; B25G 1/102; Y10S
16/12; Y10S 16/18; Y10S 16/19; Y10S 16/90;
Y10T 16/44; Y10T 16/469; Y10T 16/4713;
Y10T 16/476

See application file for complete search history.

(56) **References Cited**

U.S. PATENT DOCUMENTS

D197,699	S	*	3/1964	Hall	D4/101
D199,521	S	*	11/1964	Johnson	D4/101
D201,667	S	*	7/1965	Morris	D4/101
D203,928	S	*	3/1966	Terrell	D4/101
D326,361	S	*	5/1992	Layman	D4/104
D375,204	S	*	11/1996	Okada	D4/101
5,853,010	A	*	12/1998	Suh	A45D 2/48 132/217
D417,083	S	*	11/1999	Yun	D4/138
D454,251	S	*	3/2002	De Swarte	D4/101
D534,728	S	*	1/2007	Vu	D4/101
D604,470	S	*	11/2009	Billig	D32/50
D634,426	S	*	3/2011	Zollers	D24/147
D743,702	S	*	11/2015	Harrington	D4/138
D744,242	S	*	12/2015	Harrington	D4/138
D744,243	S	*	12/2015	Harrington	D4/118
D744,760	S	*	12/2015	Harrington	D4/138

* cited by examiner

Primary Examiner — Cynthia Ramirez

Assistant Examiner — Llorellys Martinez-Rivera

(74) *Attorney, Agent, or Firm* — Ohlandt, Greeley, Ruggiero
& Perle, LLP

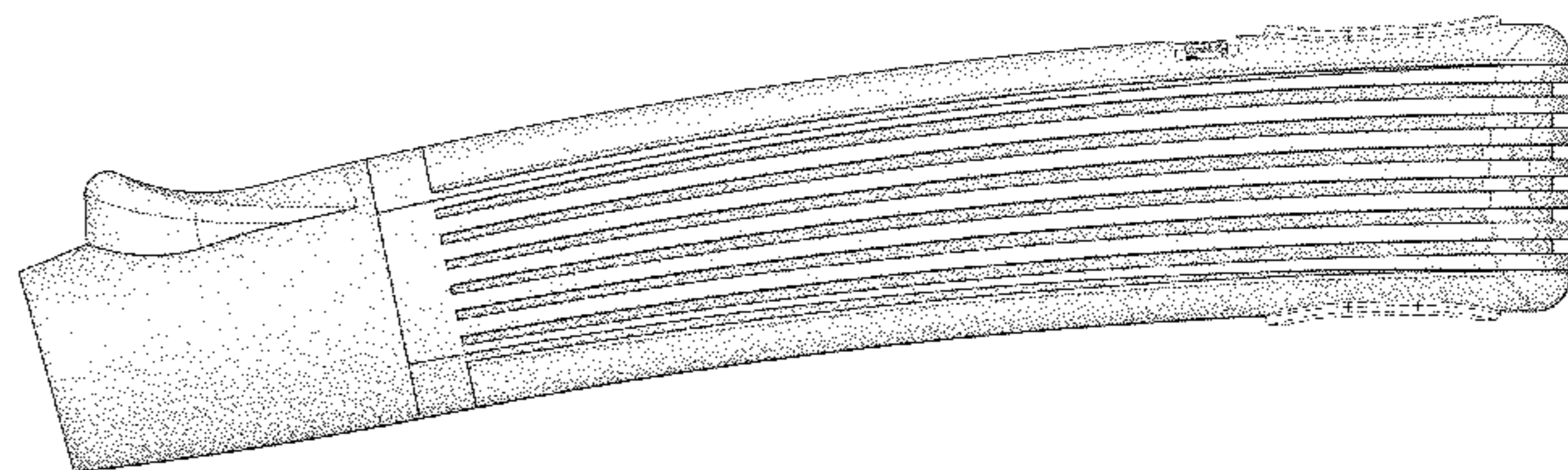
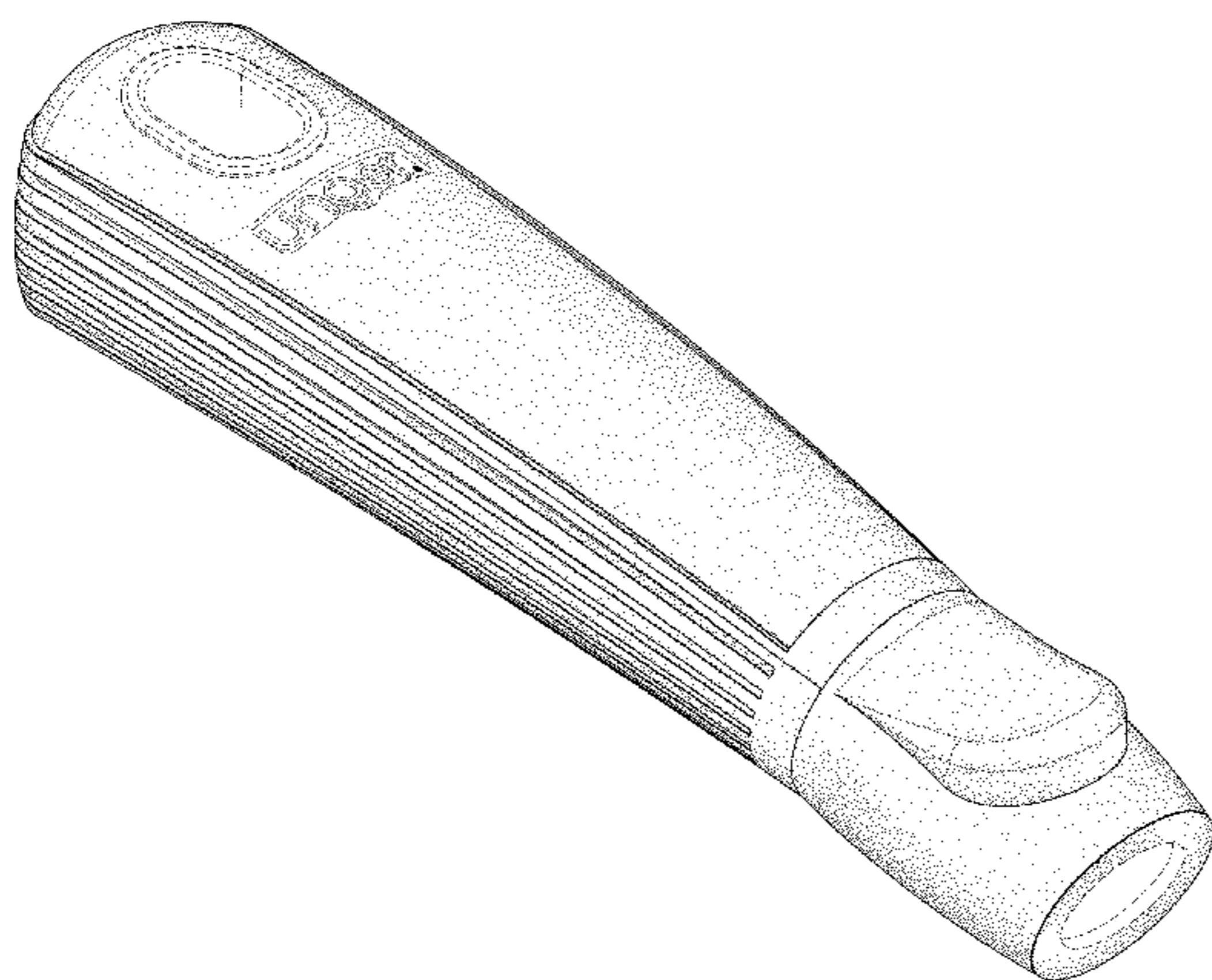
(57) **CLAIM**

The ornamental design for a brush handle, as shown and described.

DESCRIPTION

FIG. 1 is a perspective view of a brush handle showing our new design;
FIG. 2 is a side elevation view thereof;
FIG. 3 is an opposite side elevation view thereof;
FIG. 4 is a front elevational view thereof;
FIG. 5 is a rear elevational view thereof;
FIG. 6 is a top plan view thereof; and,
FIG. 7 is a bottom plan view thereof.
The broken lines shown in FIGS. 1 through 7 illustrate portions of the brush handle that form no part of the claimed design.

1 Claim, 5 Drawing Sheets



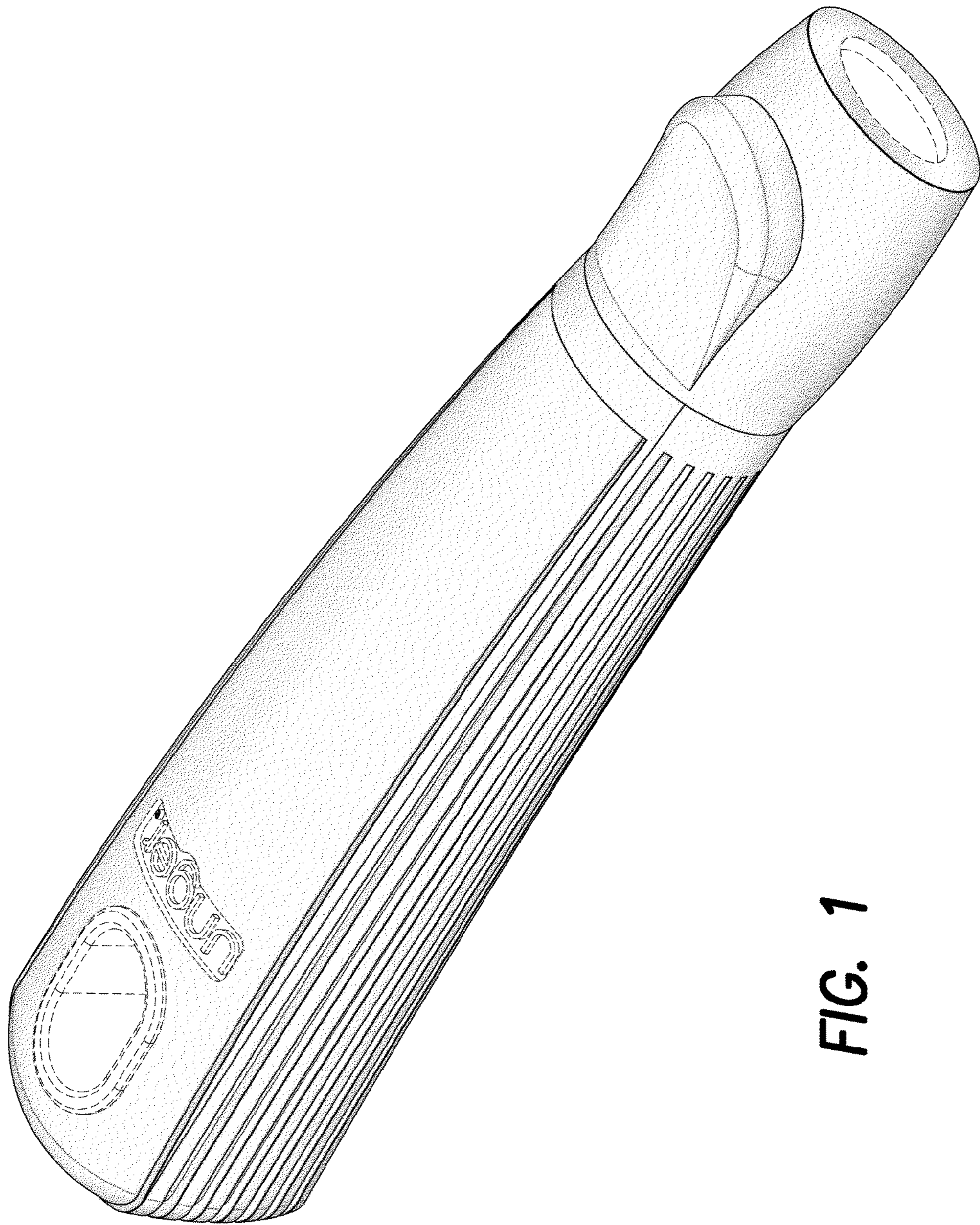


FIG. 1

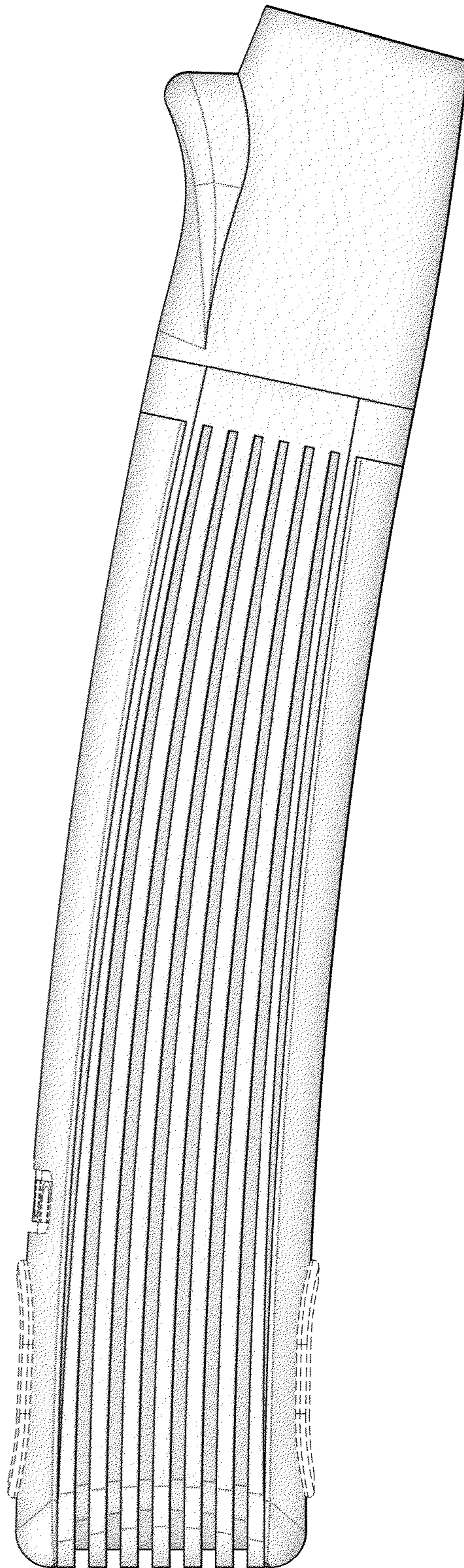


FIG. 2

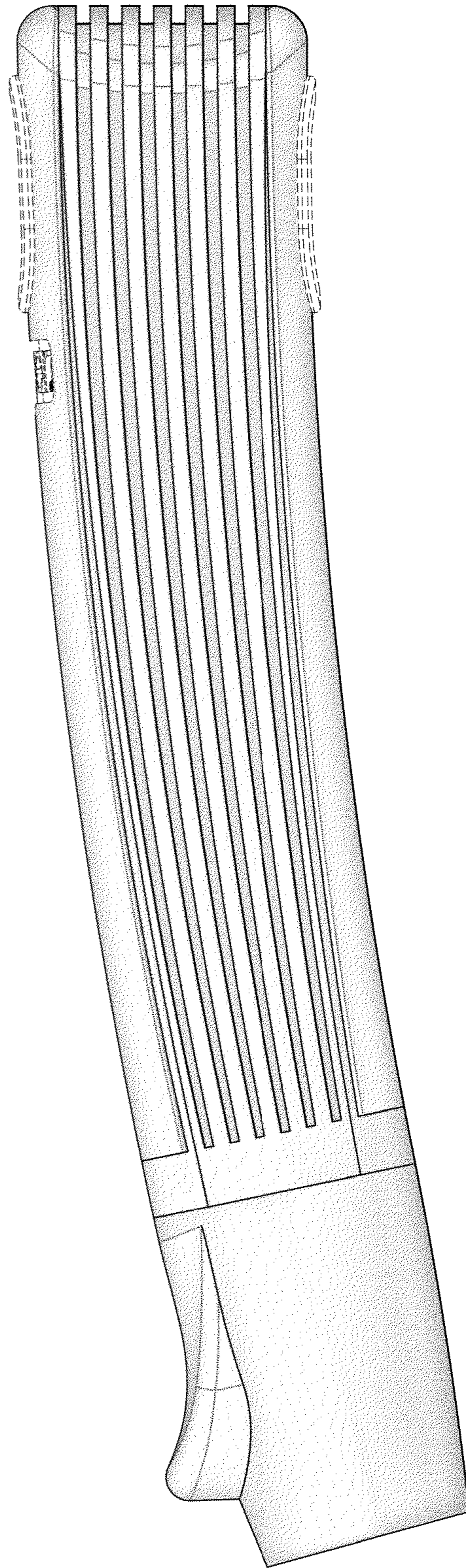


FIG. 3

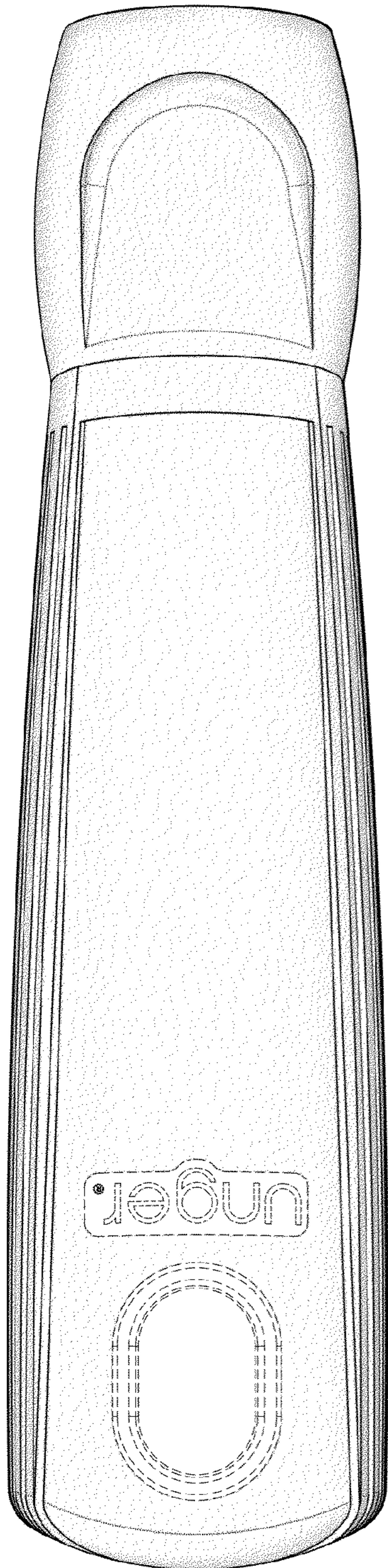


FIG. 4

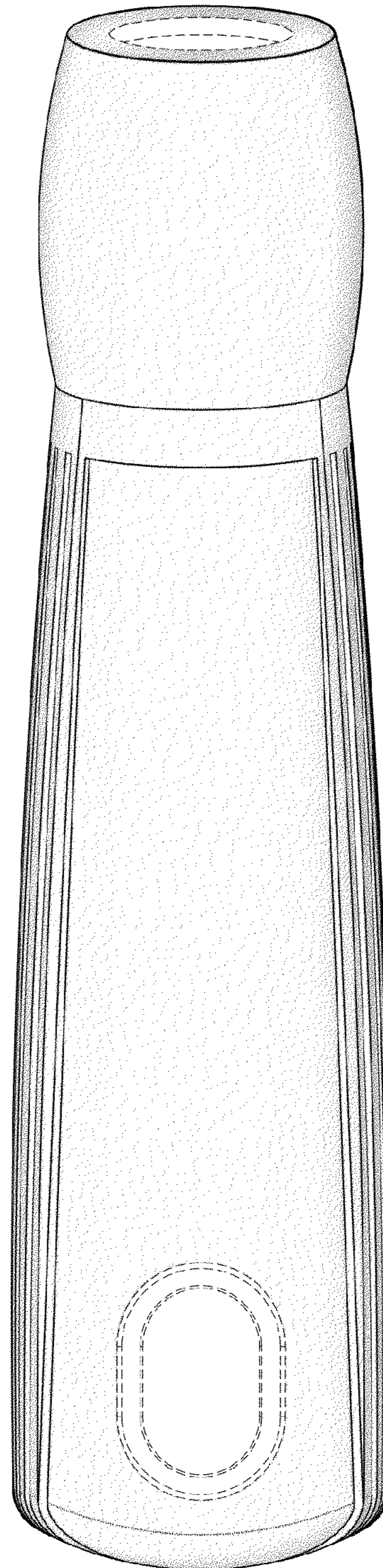


FIG. 5

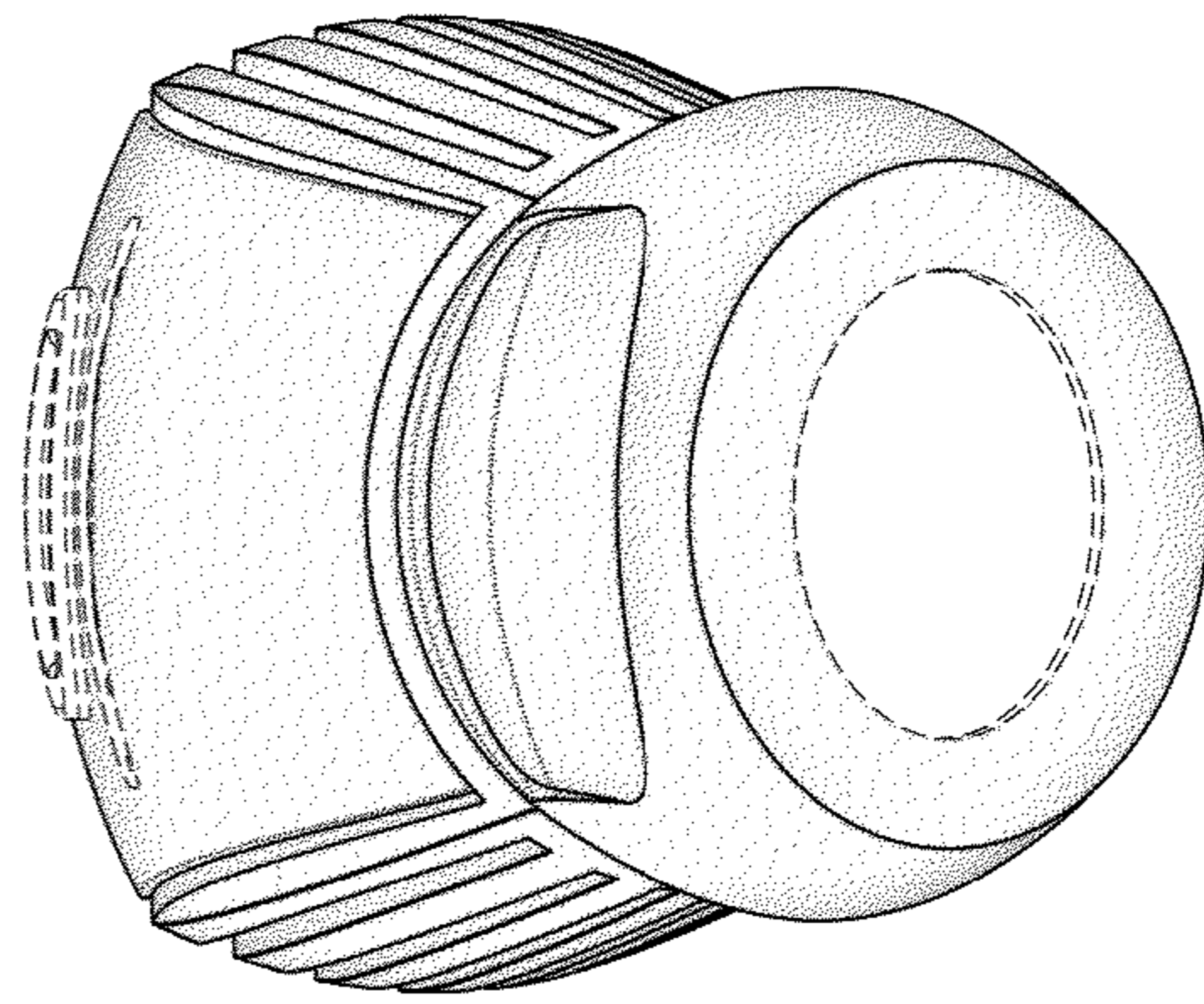


FIG. 7

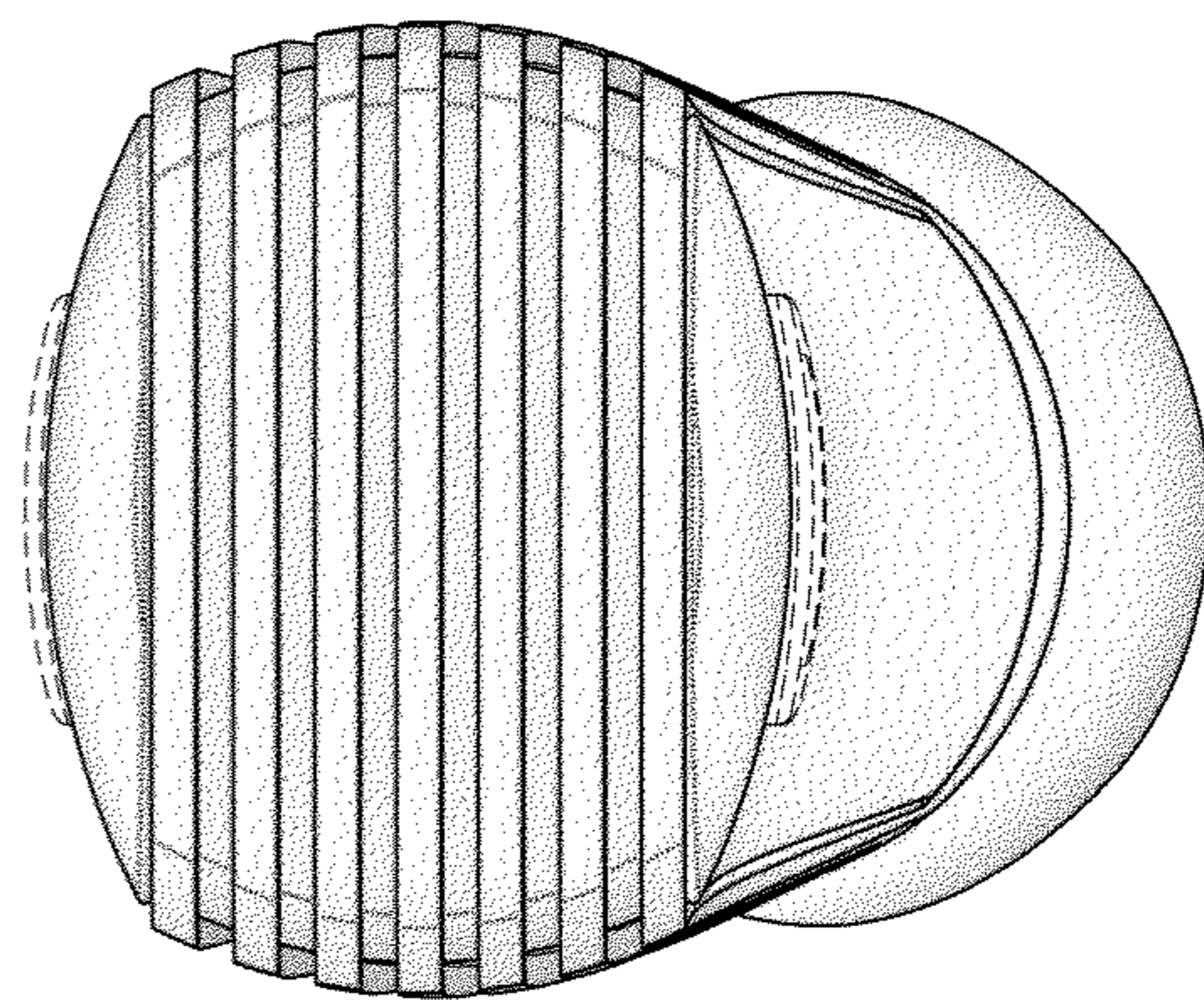


FIG. 6