



US00D754974S

(12) **United States Design Patent**  
**Arvinte et al.**

(10) **Patent No.:** **US D754,974 S**  
(45) **Date of Patent:** **\*\* May 3, 2016**

(54) **ADJUSTABLE PAINT ROLLER FRAME**

(71) Applicant: **A. RICHARD TOOLS CO./OUTILS**  
**A. RICHARD CO.**, Berthierville (CA)

(72) Inventors: **Romeo Arvinte**, Laval-des-Rapides (CA); **Francois Panfili**, Berthierville (CA)

(73) Assignee: **A. RICHARD TOOLS CO./OUTILS**  
**A. RICHARD CO.**, Berthierville, Quebec (CA)

(\*\*) Term: **14 Years**

(21) Appl. No.: **29/525,588**

(22) Filed: **Apr. 30, 2015**

(51) **LOC (10) Cl.** ..... **04-01**

(52) **U.S. Cl.**  
USPC ..... **D4/122**

(58) **Field of Classification Search**  
USPC ..... D4/122, 128, 138; 15/27, 104.002, 15/143.1, 230.11; 16/110.1, 430; 492/13, 492/14, 17, 19  
CPC .... B05C 17/0207; B29C 63/18; B29C 63/48; D04B 1/025  
See application file for complete search history.

(56) **References Cited**

**U.S. PATENT DOCUMENTS**

1,268,734	A	6/1918	Lay	
3,273,192	A	9/1966	Mazzella	
D653,038	S *	1/2012	Park	D4/128
D679,910	S *	4/2013	Nimsgern	D4/128
D696,026	S *	12/2013	Park	D4/128
D696,028	S *	12/2013	Park	D4/128
D710,114	S *	8/2014	Yao	D4/128
D720,137	S *	12/2014	Schuler	D4/128
D720,138	S *	12/2014	Schuler	D4/128
D721,505	S *	1/2015	Schuler	D4/128
D724,268	S *	3/2015	Gardella	D28/37
D730,060	S *	5/2015	Rennette	D4/128

D730,061	S *	5/2015	Rennette	D4/128
2012/0152272	A1 *	6/2012	Solovey	A45D 2/002 132/242
2014/0075694	A1 *	3/2014	Toh	A45D 4/06 15/160

\* cited by examiner

*Primary Examiner* — Austin Murphy

(74) *Attorney, Agent, or Firm* — Merchant & Gould P.C.

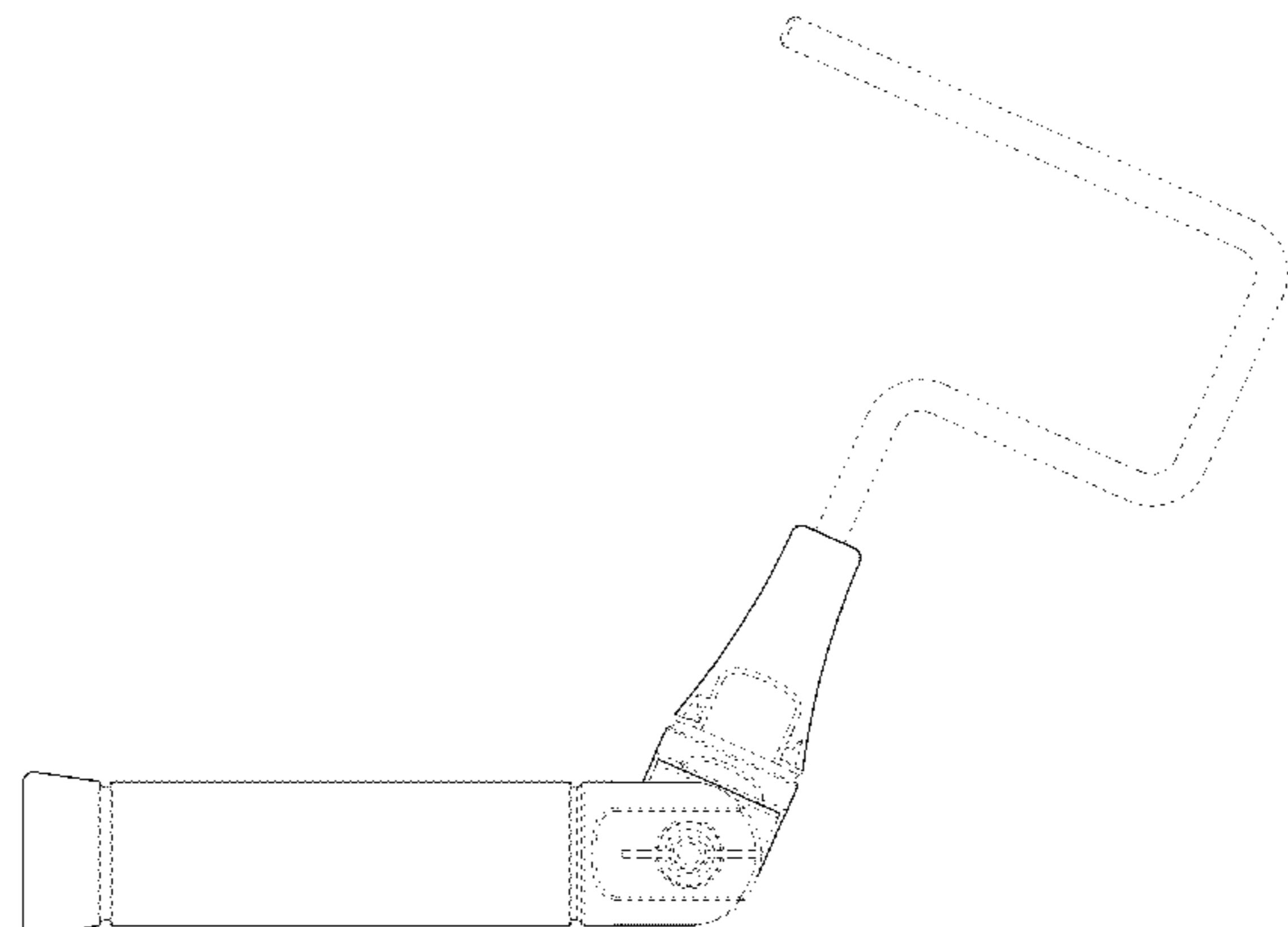
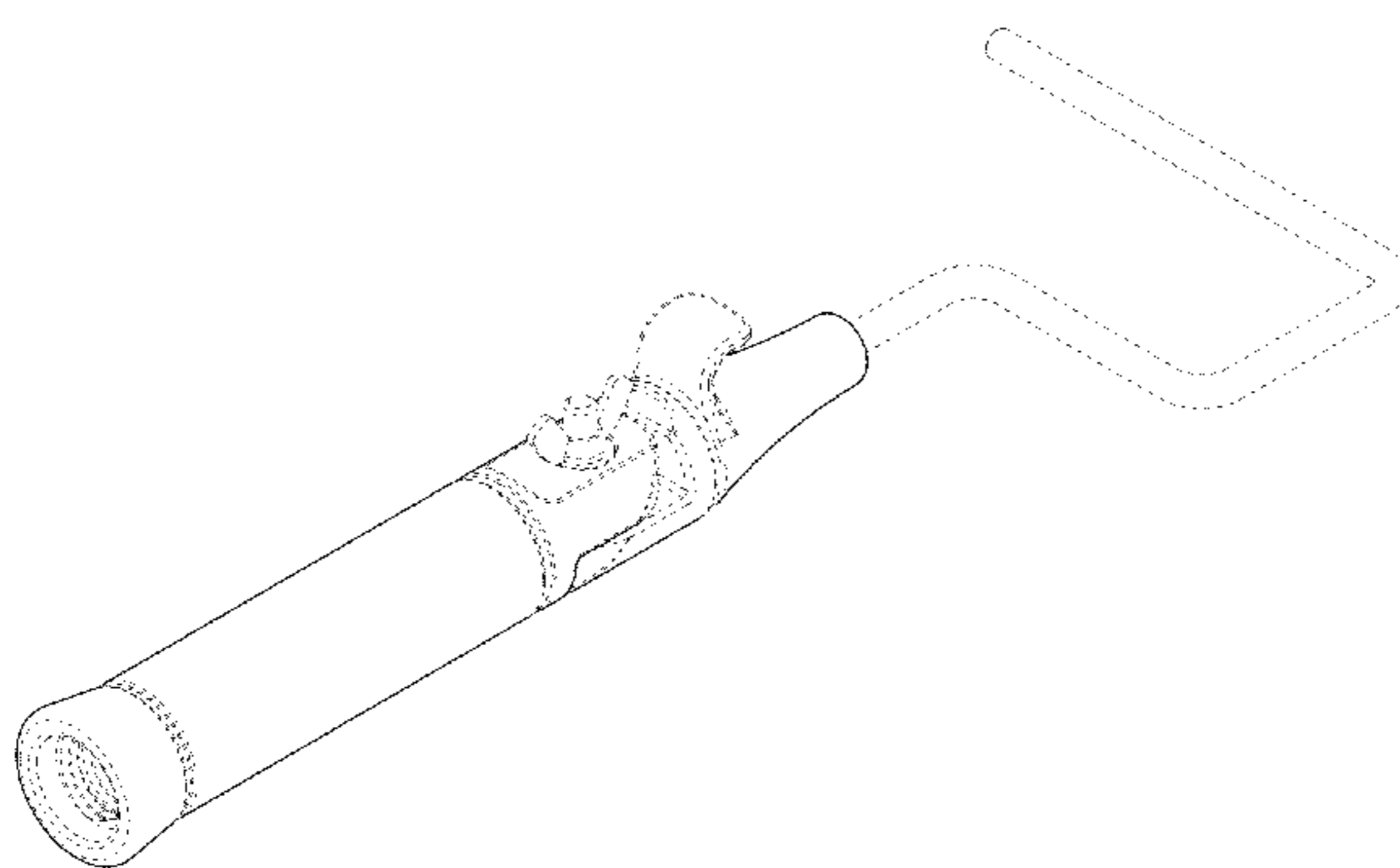
(57) **CLAIM**

The ornamental design for an adjustable paint roller frame, as shown and described.

**DESCRIPTION**

FIG. 1 is a top rear perspective view of an adjustable paint roller frame in a first operating position;  
 FIG. 2 is top front perspective view thereof;  
 FIG. 3 is a rear view thereof;  
 FIG. 4 is a front view thereof;  
 FIG. 5 is a right side view thereof;  
 FIG. 6 is a left side view thereof;  
 FIG. 7 is a top view thereof;  
 FIG. 8 is a bottom view thereof;  
 FIG. 9 is a top view of the adjustable paint roller frame in a second operating position;  
 FIG. 10 is a top view of the adjustable paint roller frame in a third operating position;  
 FIG. 11 is a top view of the adjustable paint roller frame in a fourth operating position;  
 FIG. 12 is a top view of the adjustable paint roller frame in a fifth operating position;  
 FIG. 13 is a top view of the adjustable paint roller frame in a sixth operating position;  
 FIG. 14 is a top view of the adjustable paint roller frame in a seventh operating position;  
 FIG. 15 is a top view of the adjustable paint roller frame in an eighth operating position; and,  
 FIG. 16 is a top view of the adjustable paint roller frame in a ninth operating position.  
 The portions shown in broken lines form no part of the claimed design.

**1 Claim, 14 Drawing Sheets**



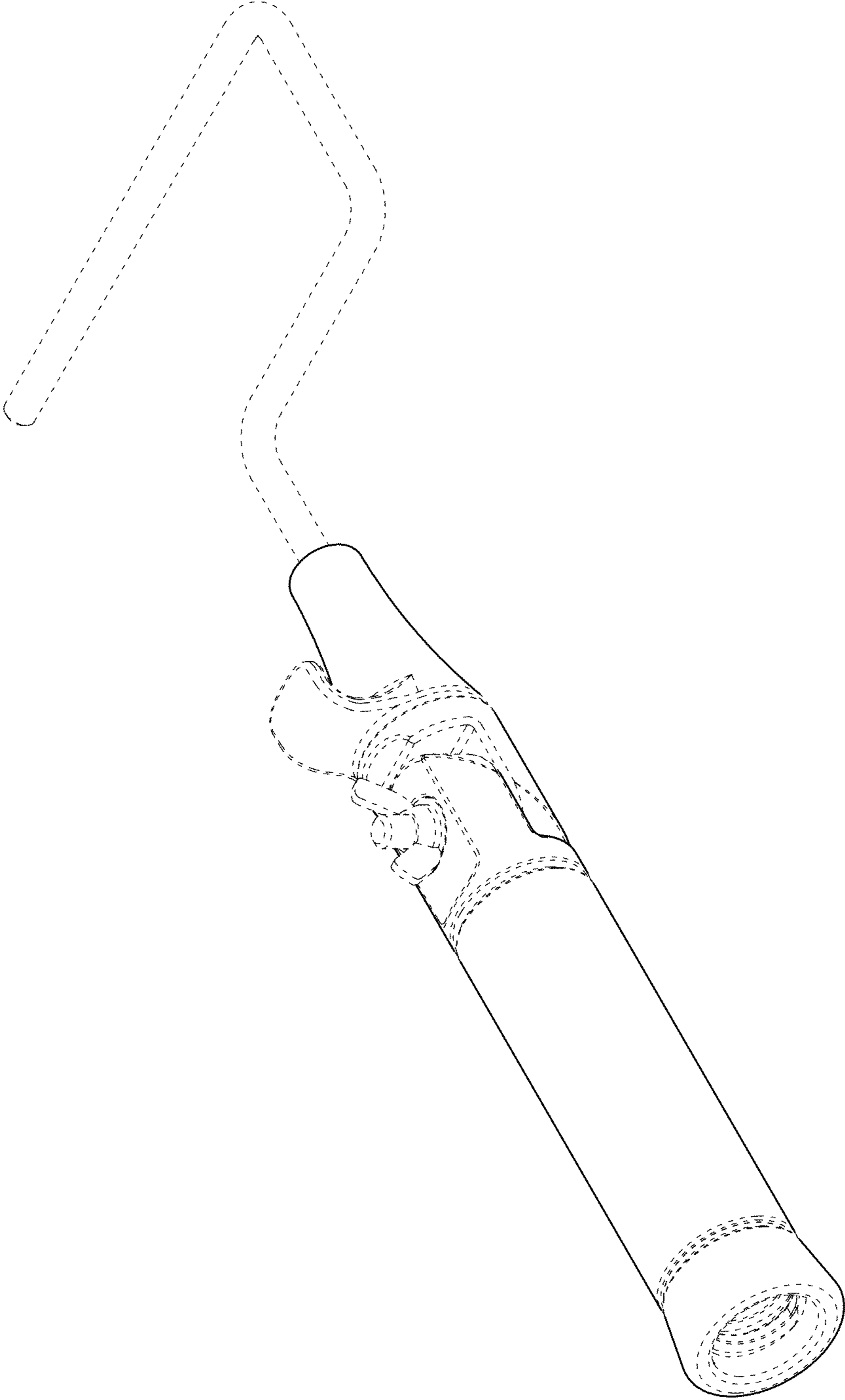


FIG. 1

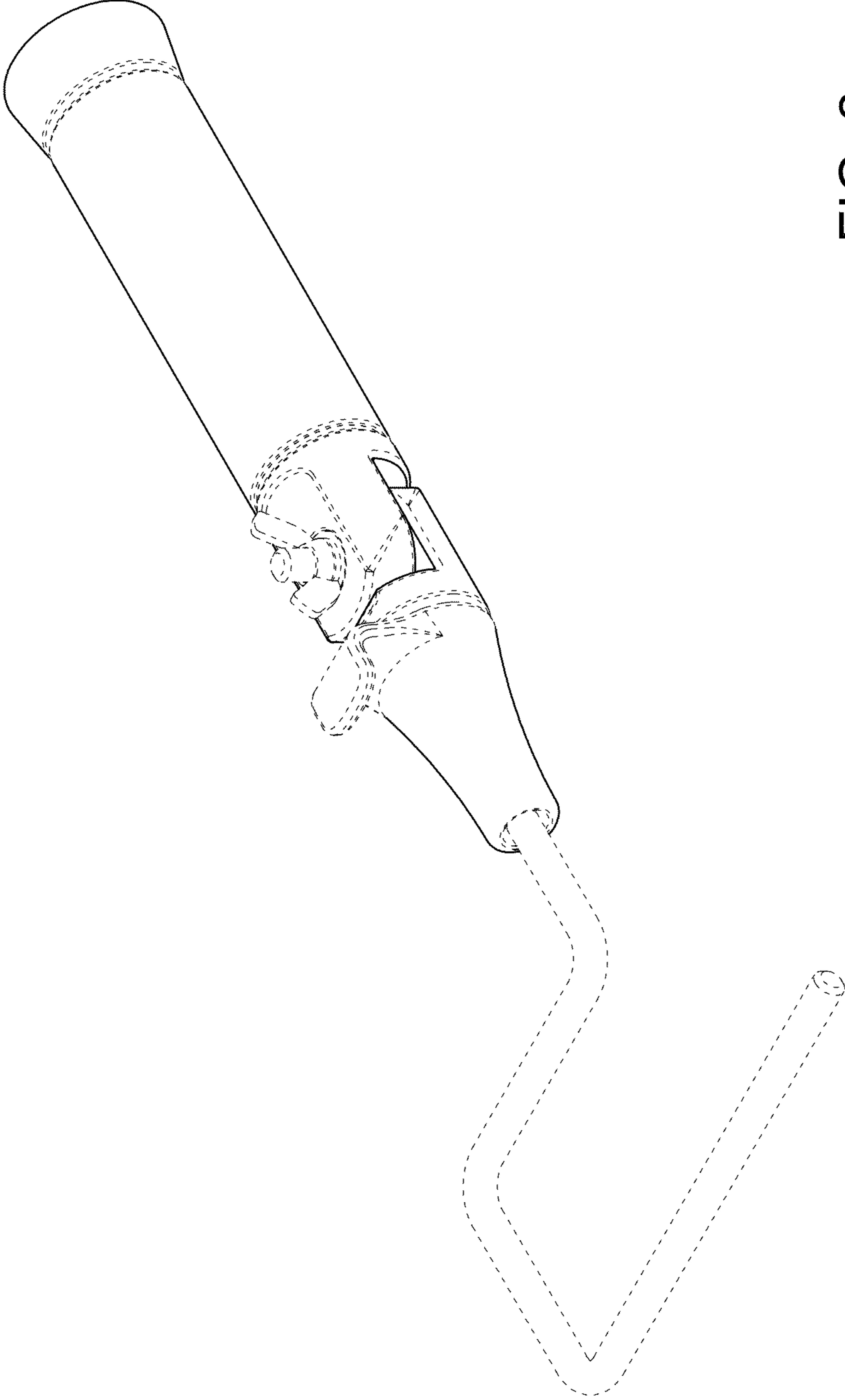


FIG. 2

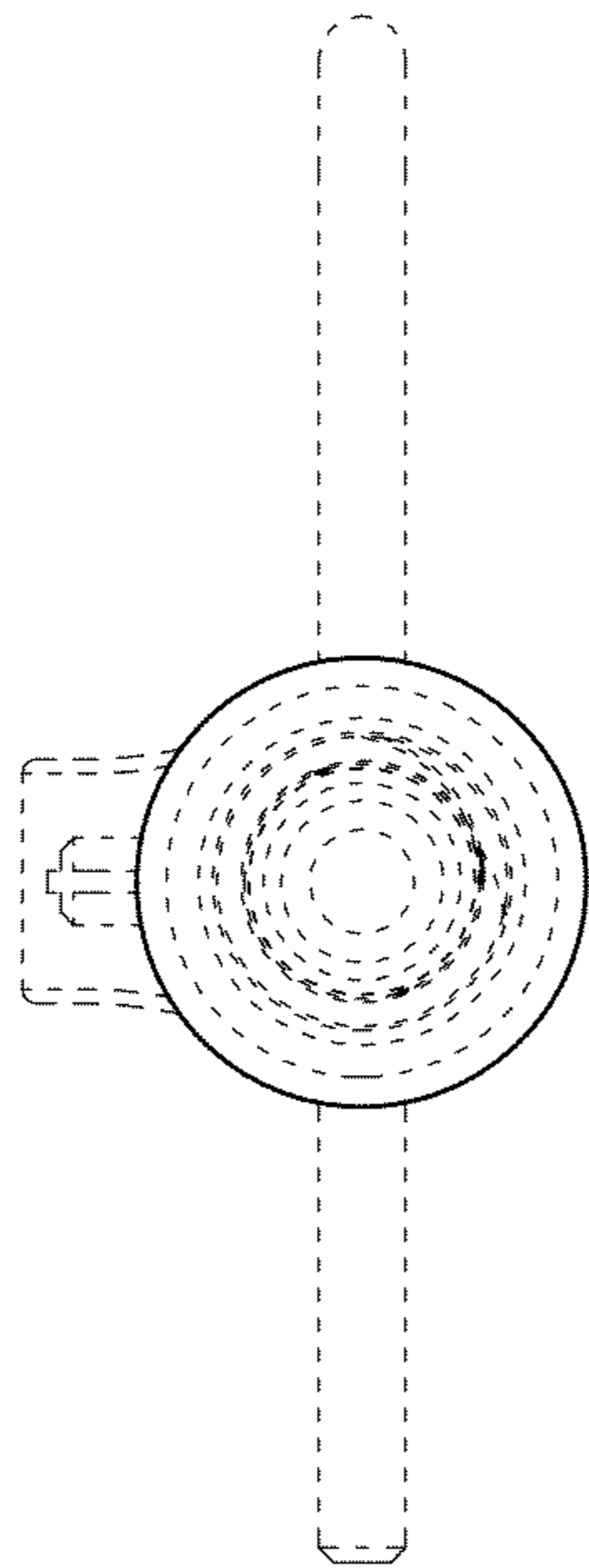


FIG. 3

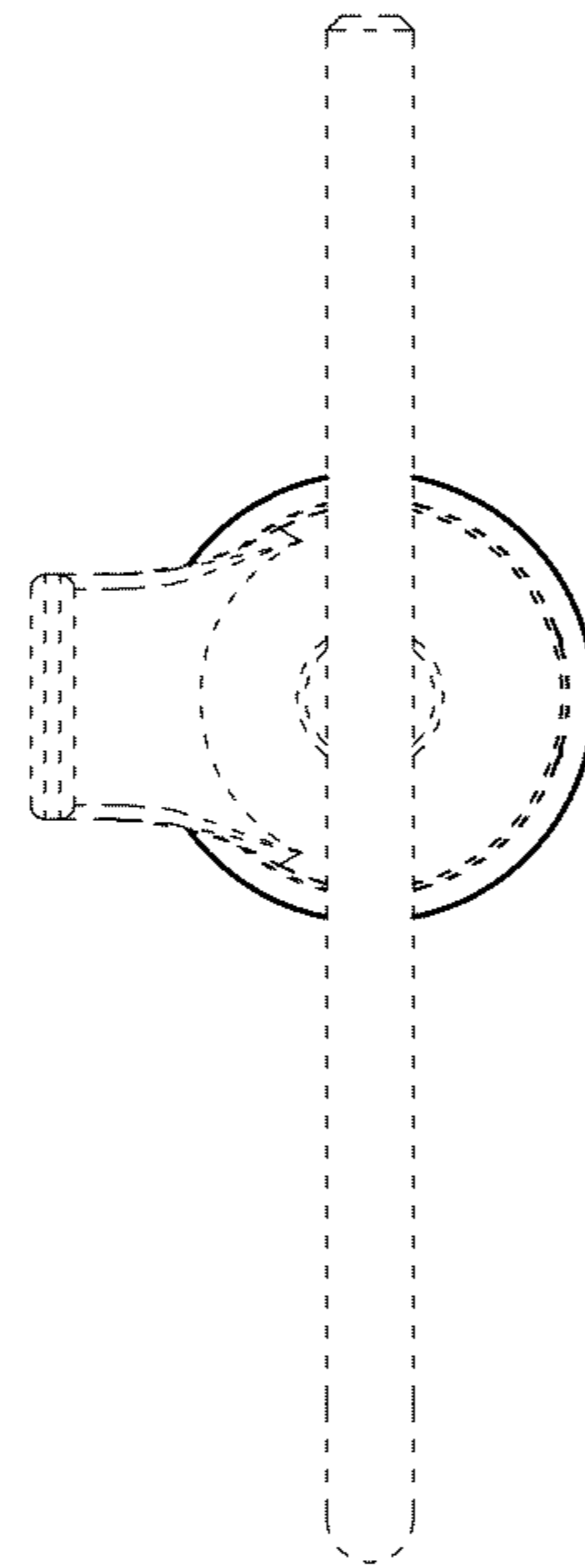


FIG. 4

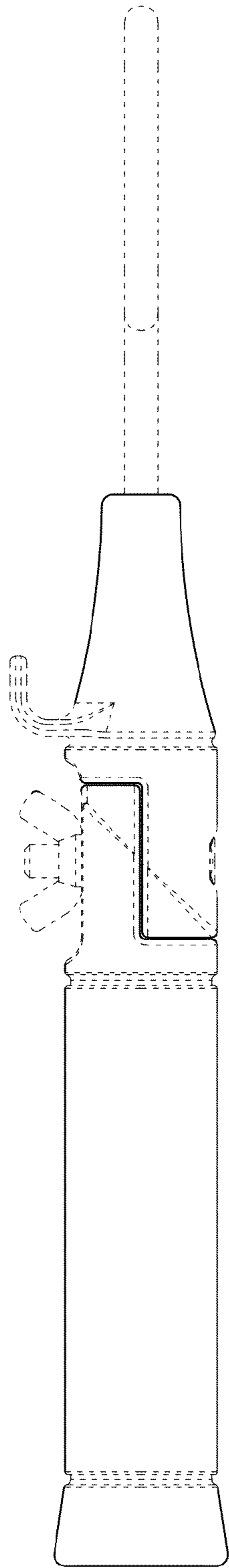


FIG. 5

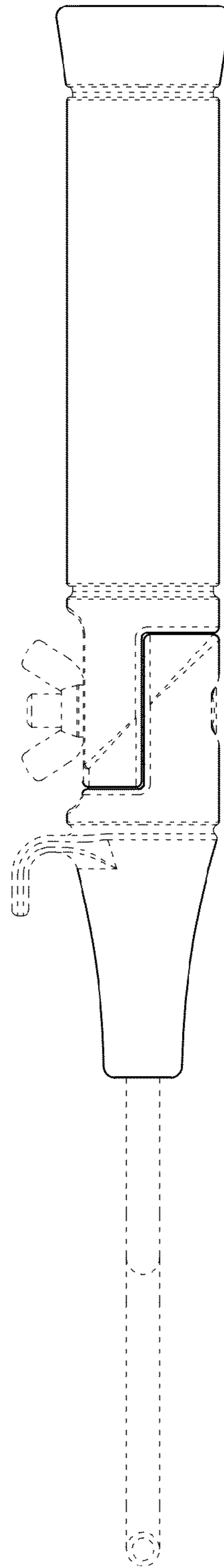


FIG. 6

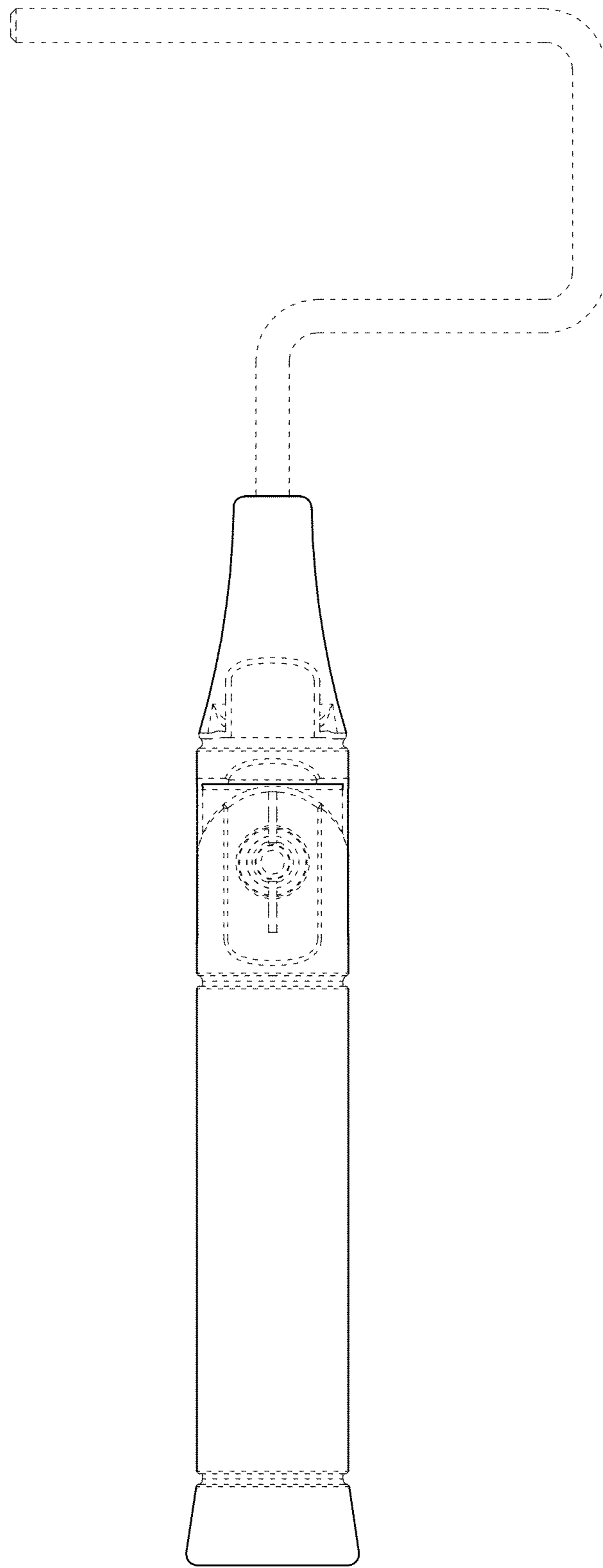


FIG. 7

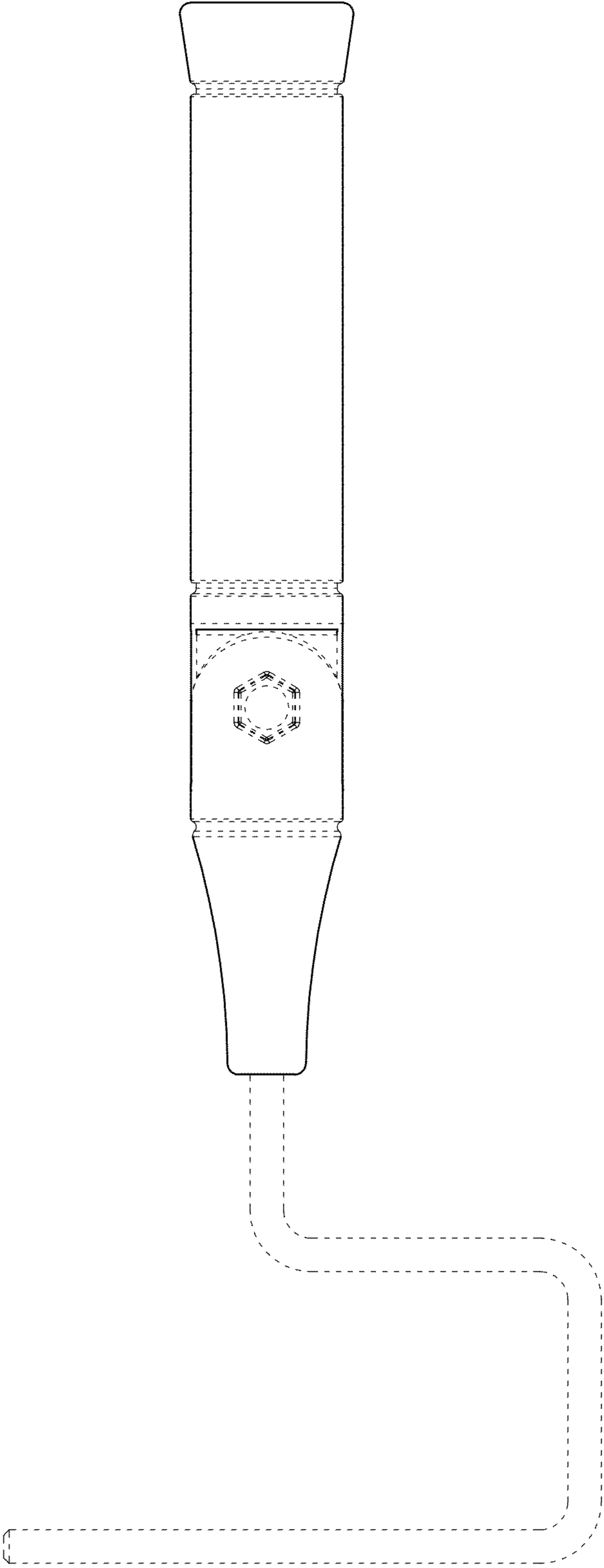


FIG. 8

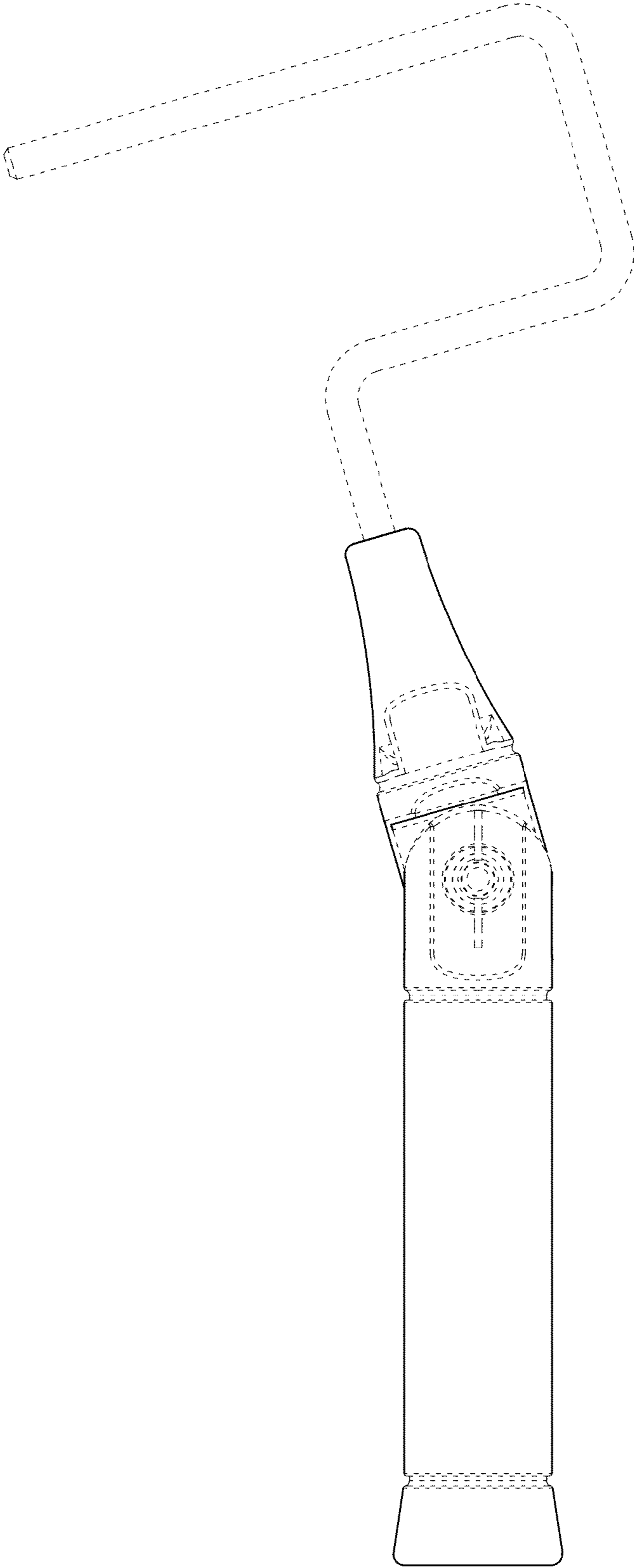


FIG. 9



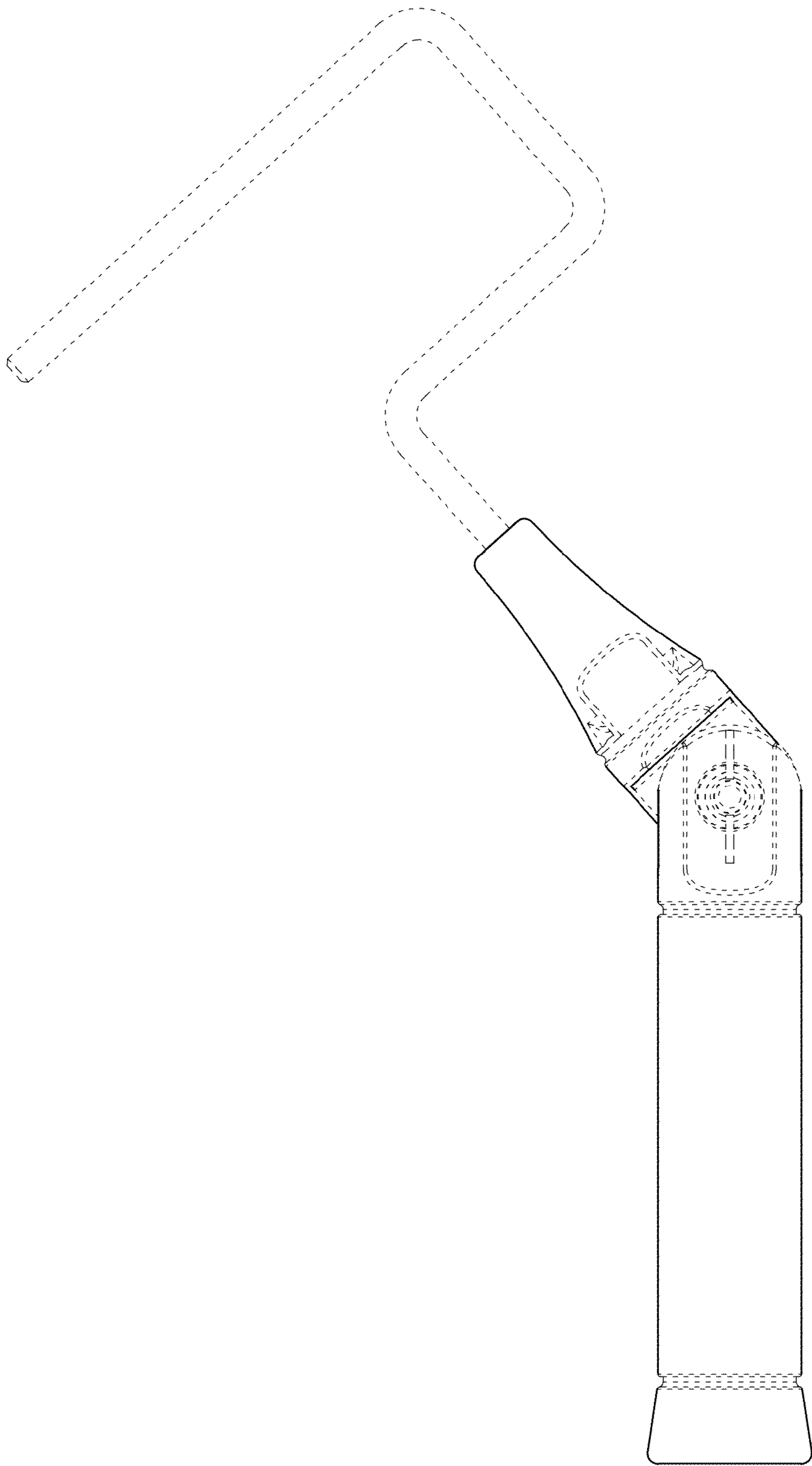


FIG. 10

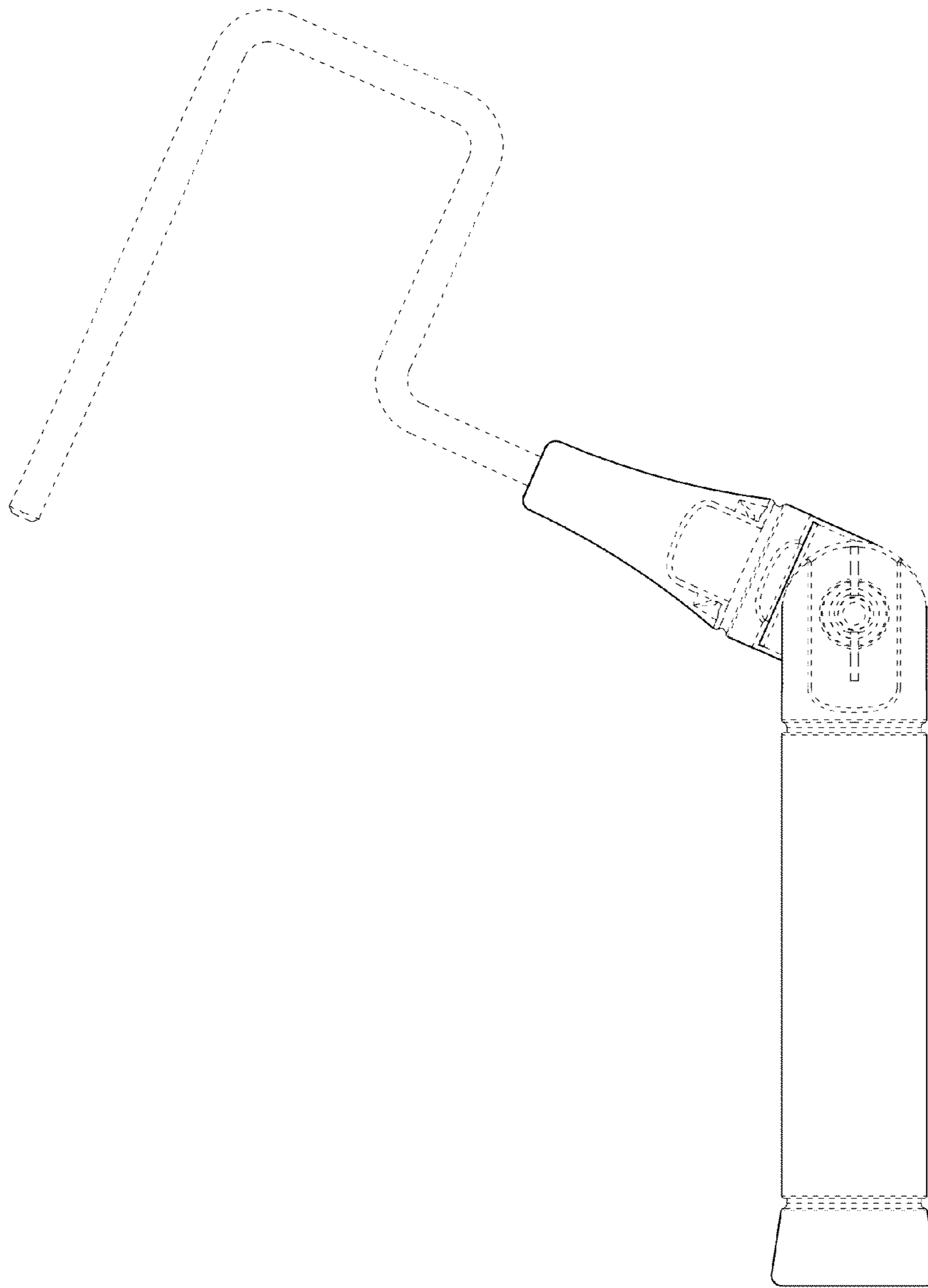


FIG. 11

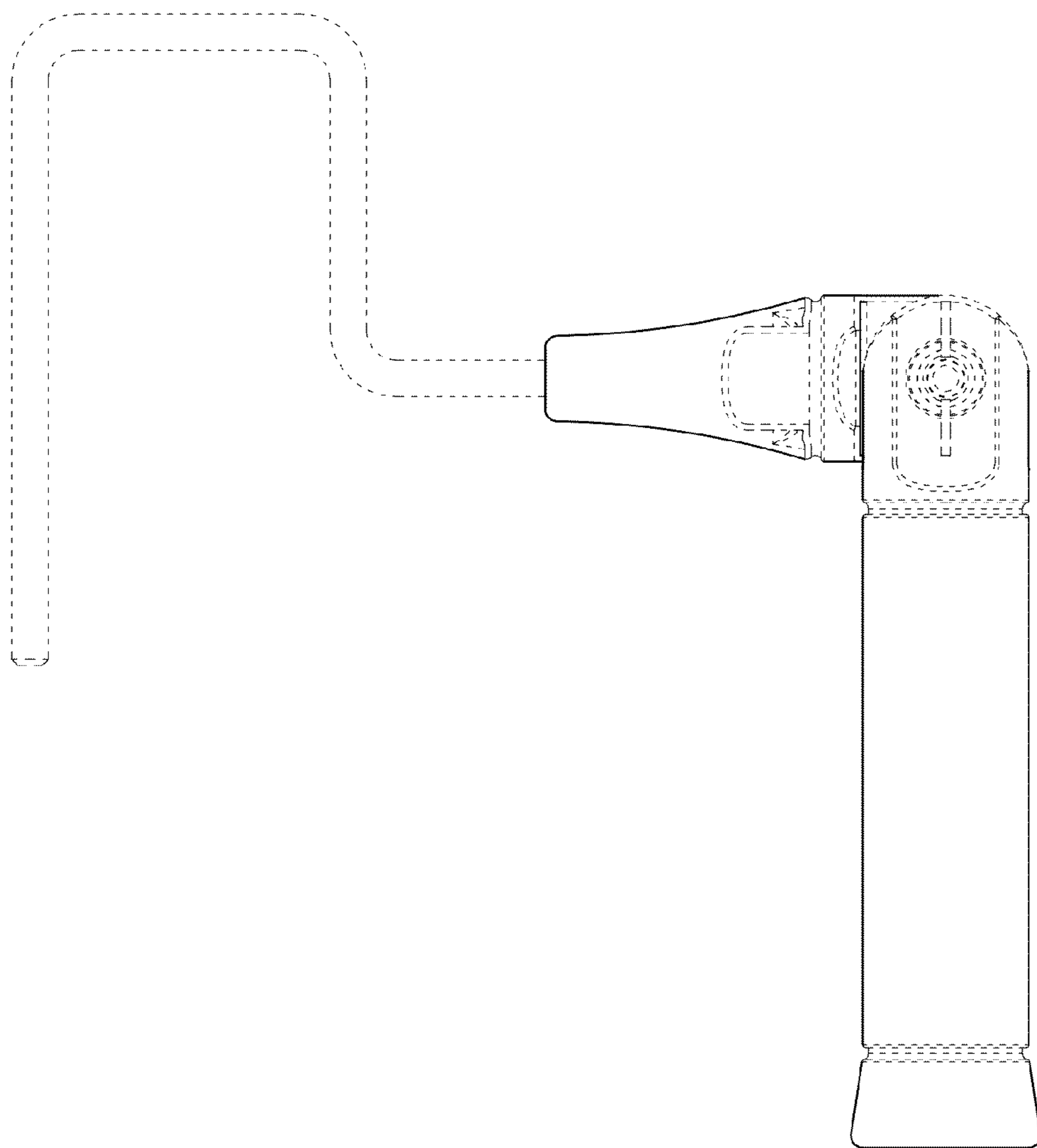


FIG. 12

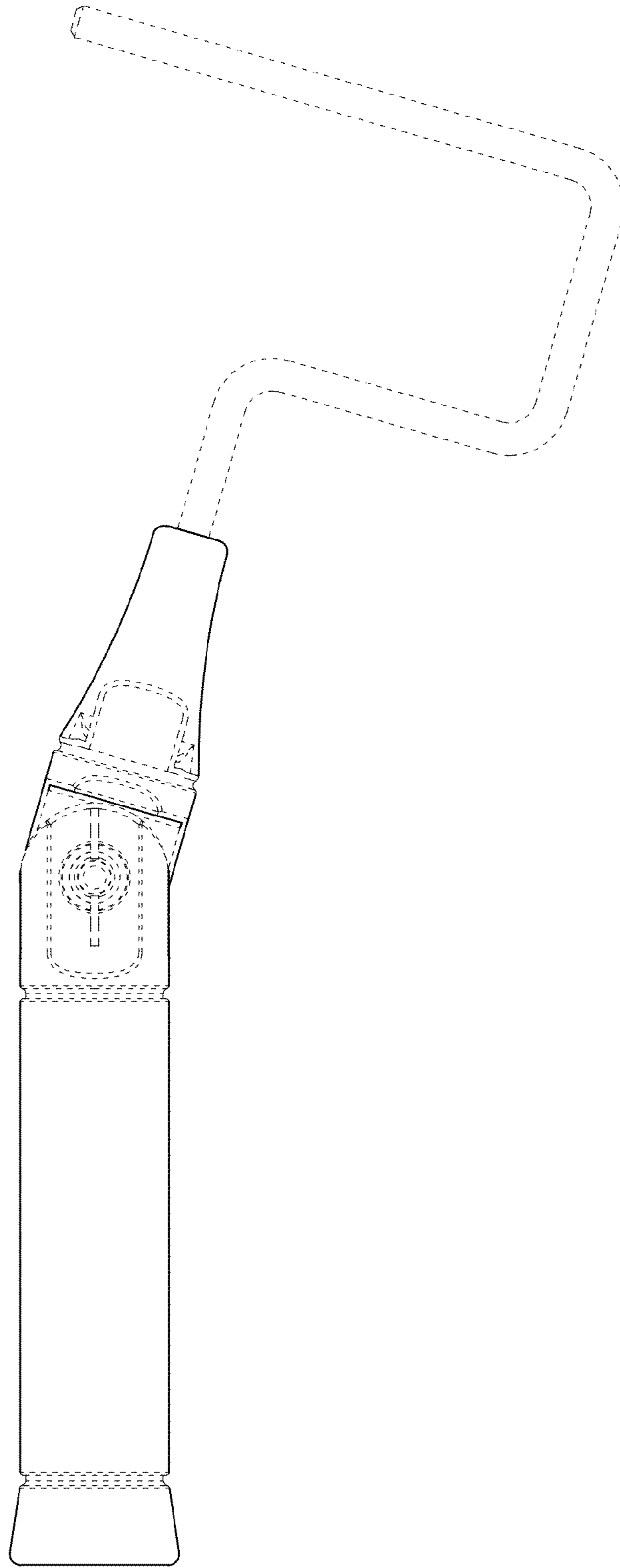


FIG. 13

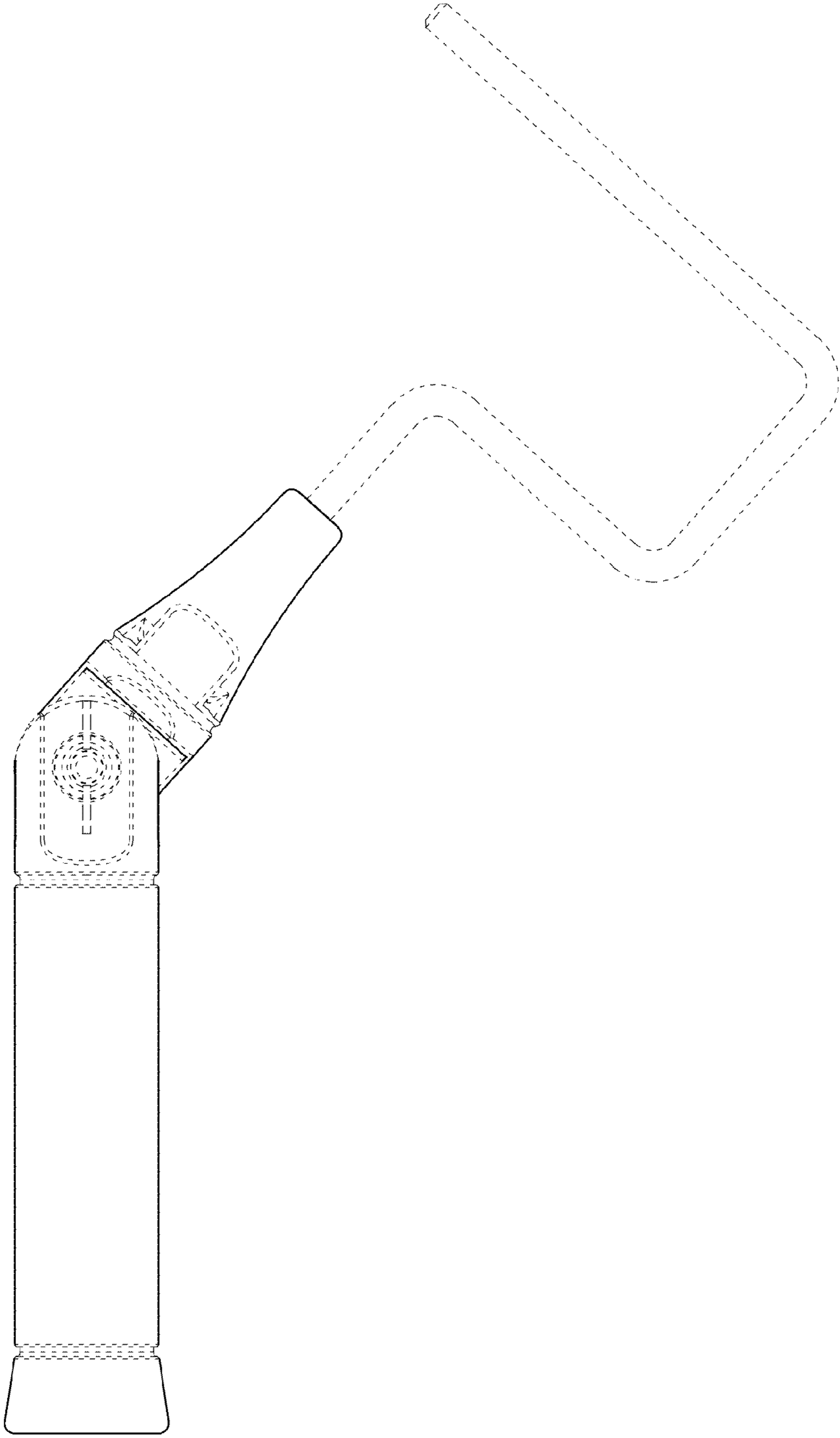


FIG. 14

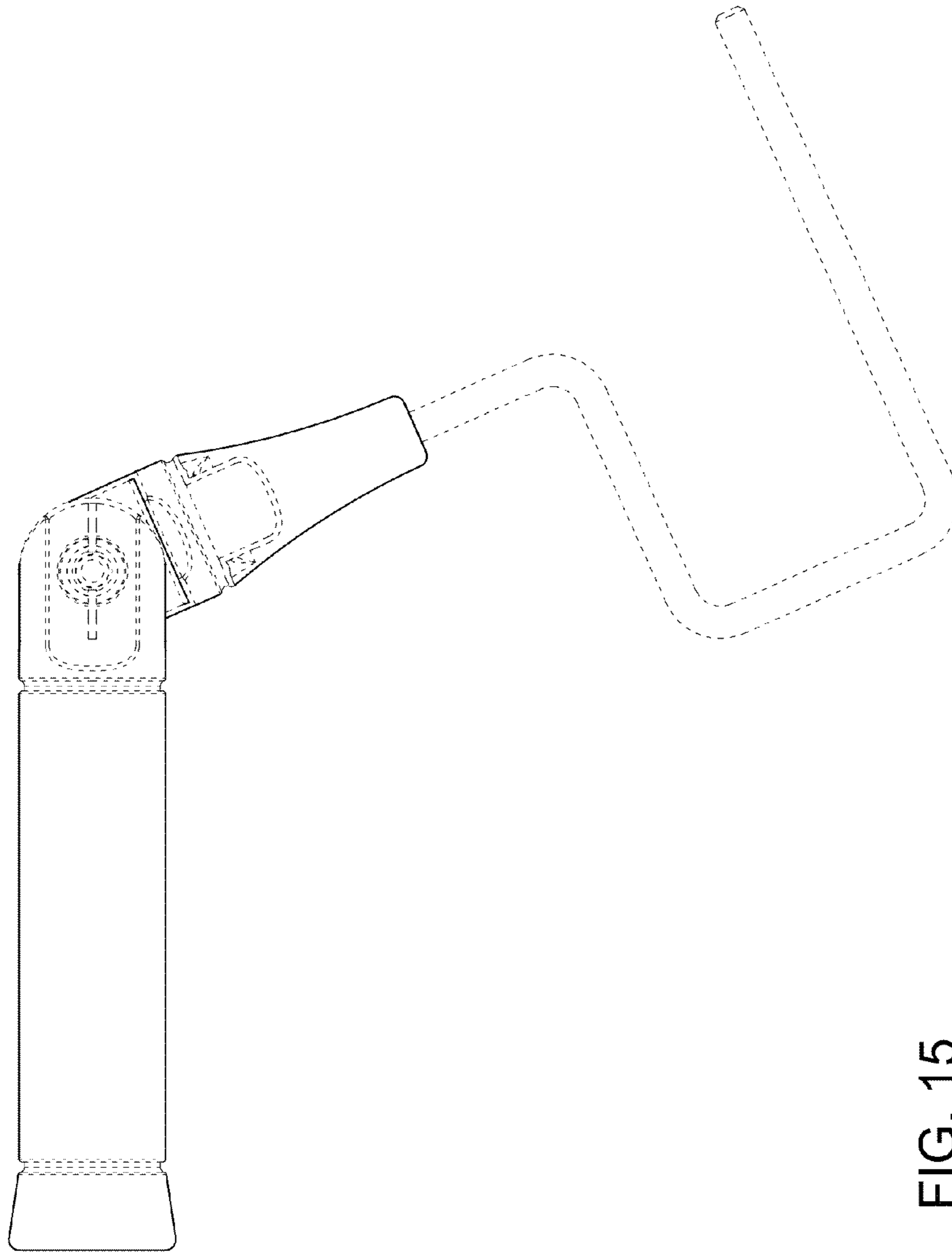


FIG. 15

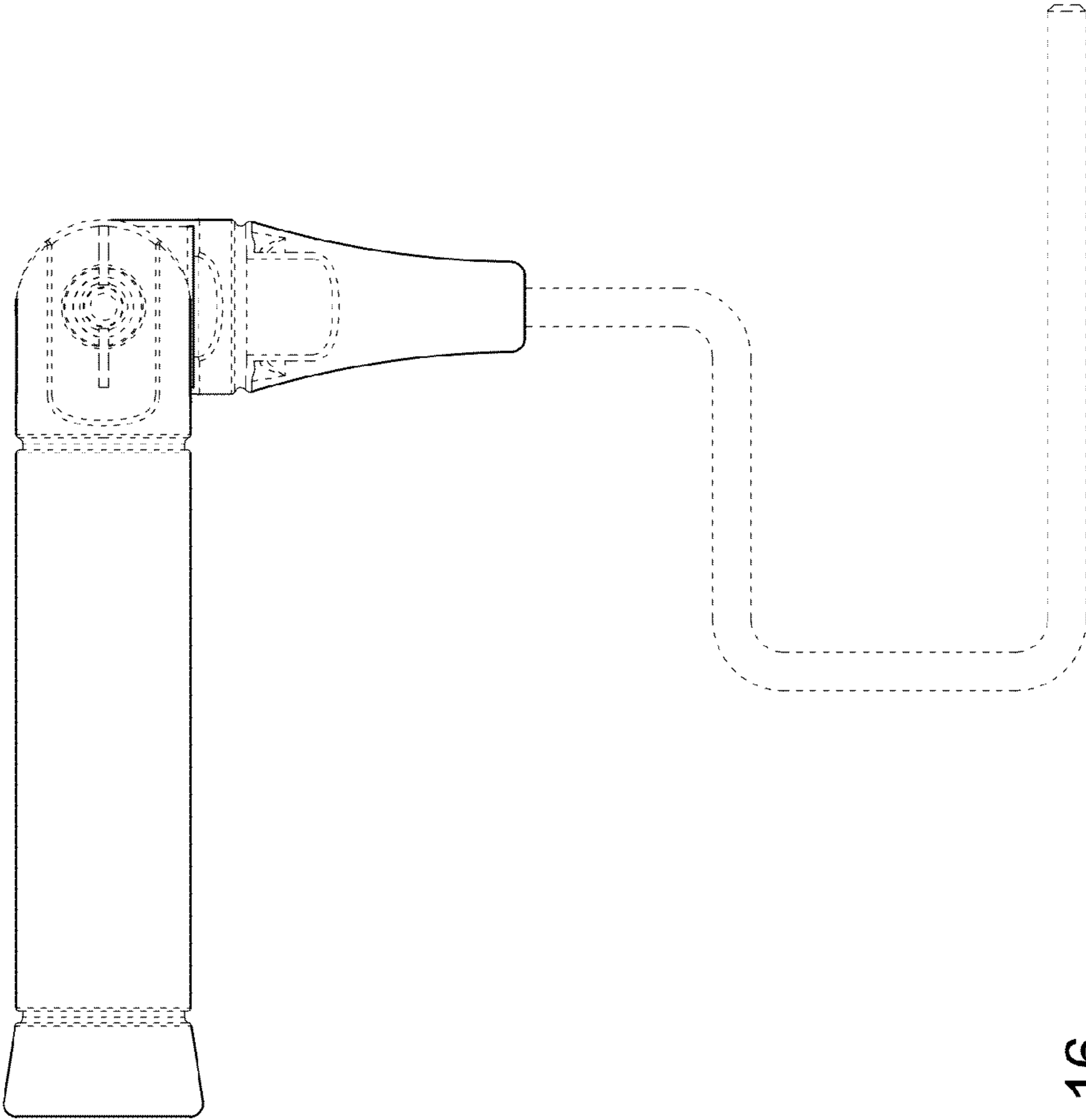


FIG. 16