



US00D754971S

(12) **United States Design Patent**
Nguyen

(10) **Patent No.:** **US D754,971 S**

(45) **Date of Patent:** **** May 3, 2016**

(54) **NET CARRYING BAG**

(71) Applicant: **Cuong Huy Nguyen**, Santa Ana, CA
(US)

(72) Inventor: **Cuong Huy Nguyen**, Santa Ana, CA
(US)

(**) Term: **14 Years**

(21) Appl. No.: **29/497,280**

(22) Filed: **Jul. 22, 2014**

(51) **LOC (10) Cl.** **03-01**

(52) **U.S. Cl.**
USPC **D3/303**

(58) **Field of Classification Search**
USPC D3/201, 203, 203.5, 204, 205, 206, 217,
D3/221, 229, 218, 227, 232-233, 239,
D3/240-243, 245, 246, 249, 255, 260, 261,
D3/262, 271.12, 289, 301, 303, 318, 323,
D3/327, 328, 900; D8/97, 107, 300, 303,
D8/313, 314, 321; D15/5, 18
CPC A01K 77/00; A01K 97/06; A01K 97/08;
A45F 2200/05; A45F 3/02; A45F 3/04;
A63B 63/004; B63B 25/002
See application file for complete search history.

(56) **References Cited**

U.S. PATENT DOCUMENTS

D134,242 S * 11/1942 Kaplan 150/110
2,818,670 A * 1/1958 Darkenwald A01K 77/00
43/11

D516,725 S * 3/2006 Barnes D24/227
D551,806 S * 9/2007 St-Germain D29/103
D602,245 S * 10/2009 Christie D3/205
D744,229 S * 12/2015 Enders-Tretter D3/205
D744,744 S * 12/2015 Lee D3/205
2015/0001264 A1* 1/2015 Nguyen A01K 97/08
224/259

* cited by examiner

Primary Examiner — Robert M Spear

Assistant Examiner — Eliza Bennett-Hattan

(74) *Attorney, Agent, or Firm* — Quickpatents, LLC; Kevin Prince

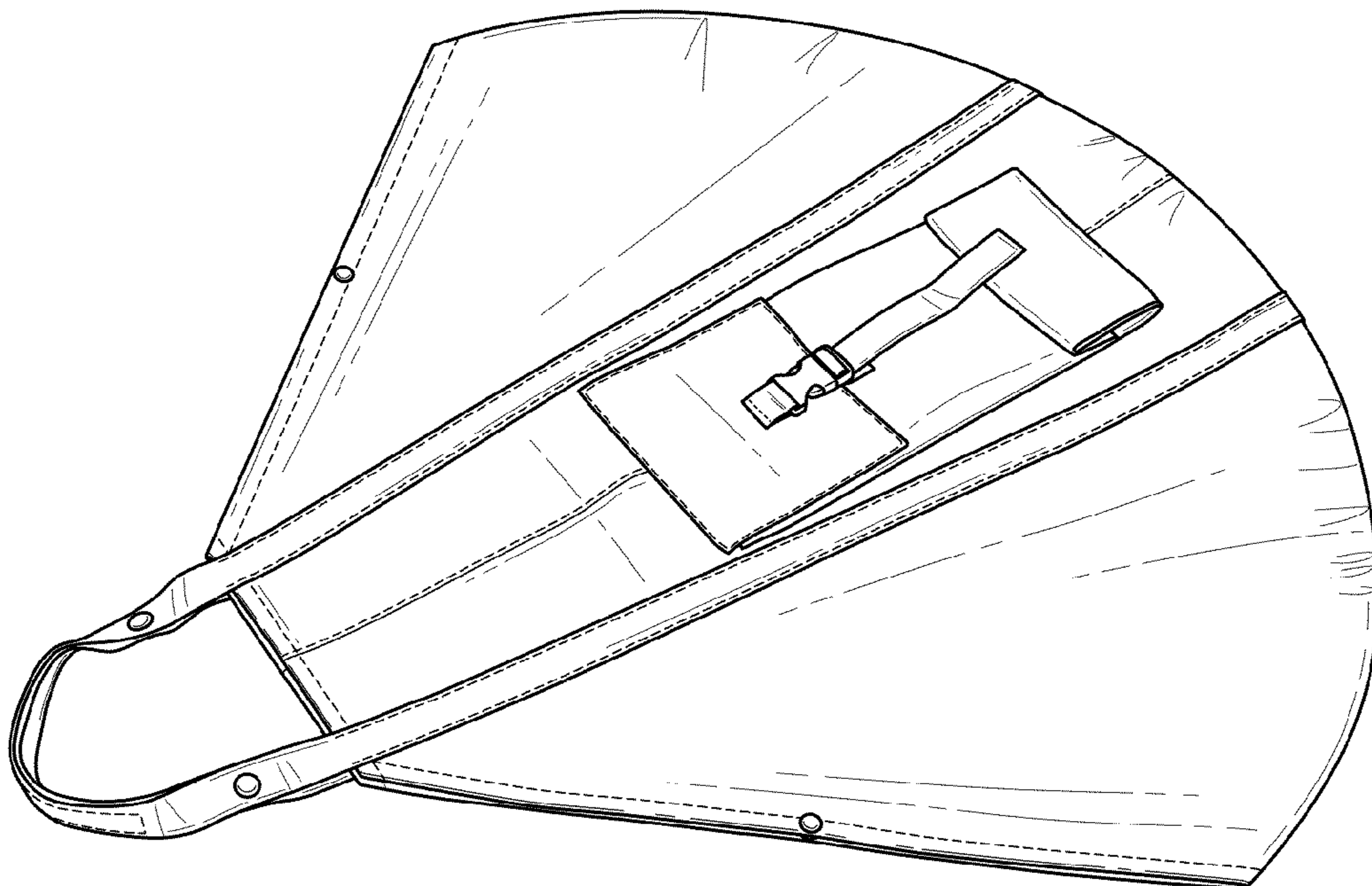
(57) **CLAIM**

I claim the ornamental design for a net carrying bag, as shown and described.

DESCRIPTION

FIG. 1 is a perspective view of a net carrying bag, showing my new design;
FIG. 2 is a front elevational view thereof;
FIG. 3 is a rear elevational view thereof;
FIG. 4 is a left-side elevational view thereof;
FIG. 5 is a right-side elevational view thereof;
FIG. 6 is a top plan view thereof; and,
FIG. 7 is a bottom plan view thereof.
The broken lines on the figures represent stitching, and are part of the claimed design.

1 Claim, 4 Drawing Sheets



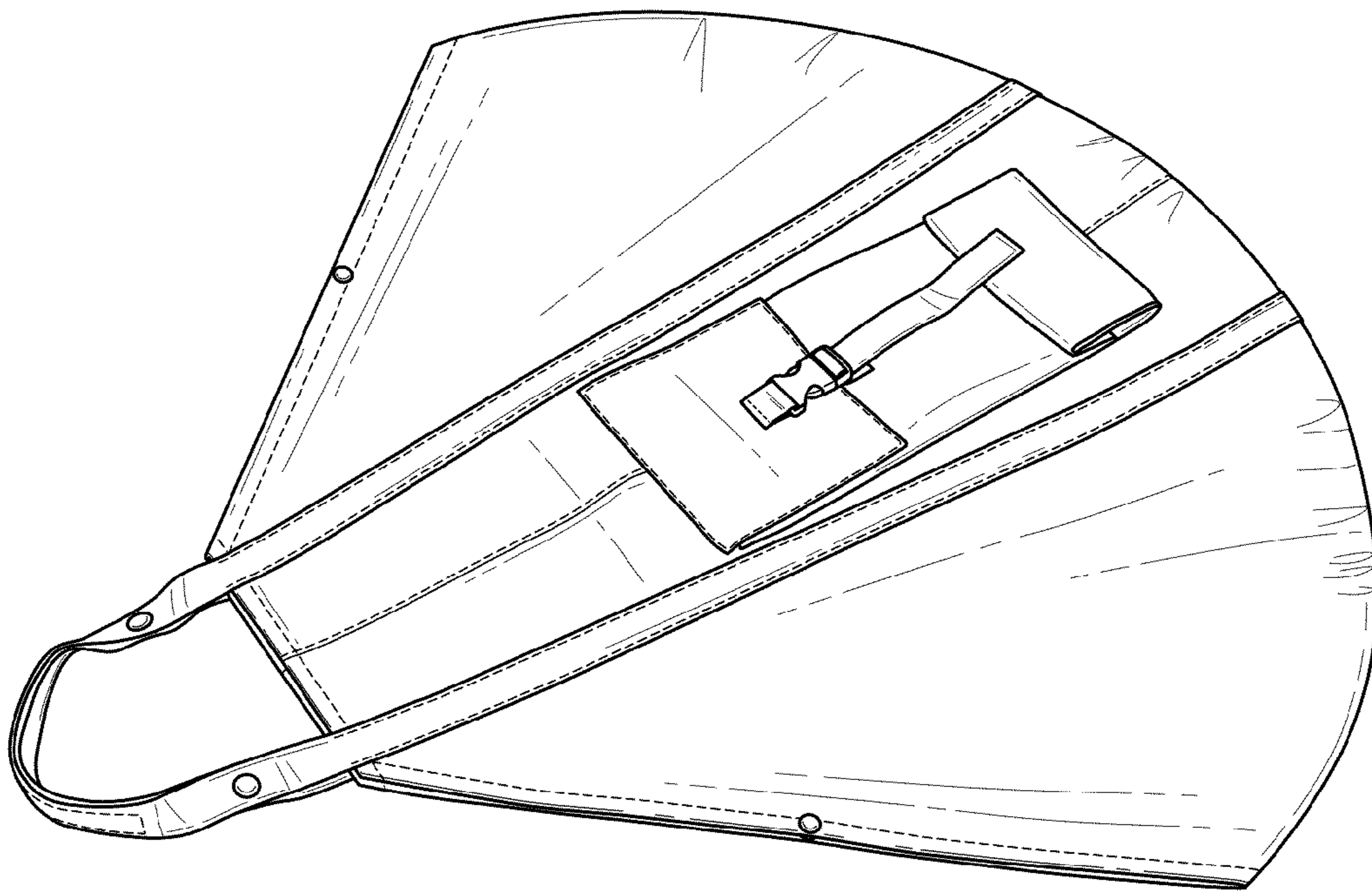


FIG. 1

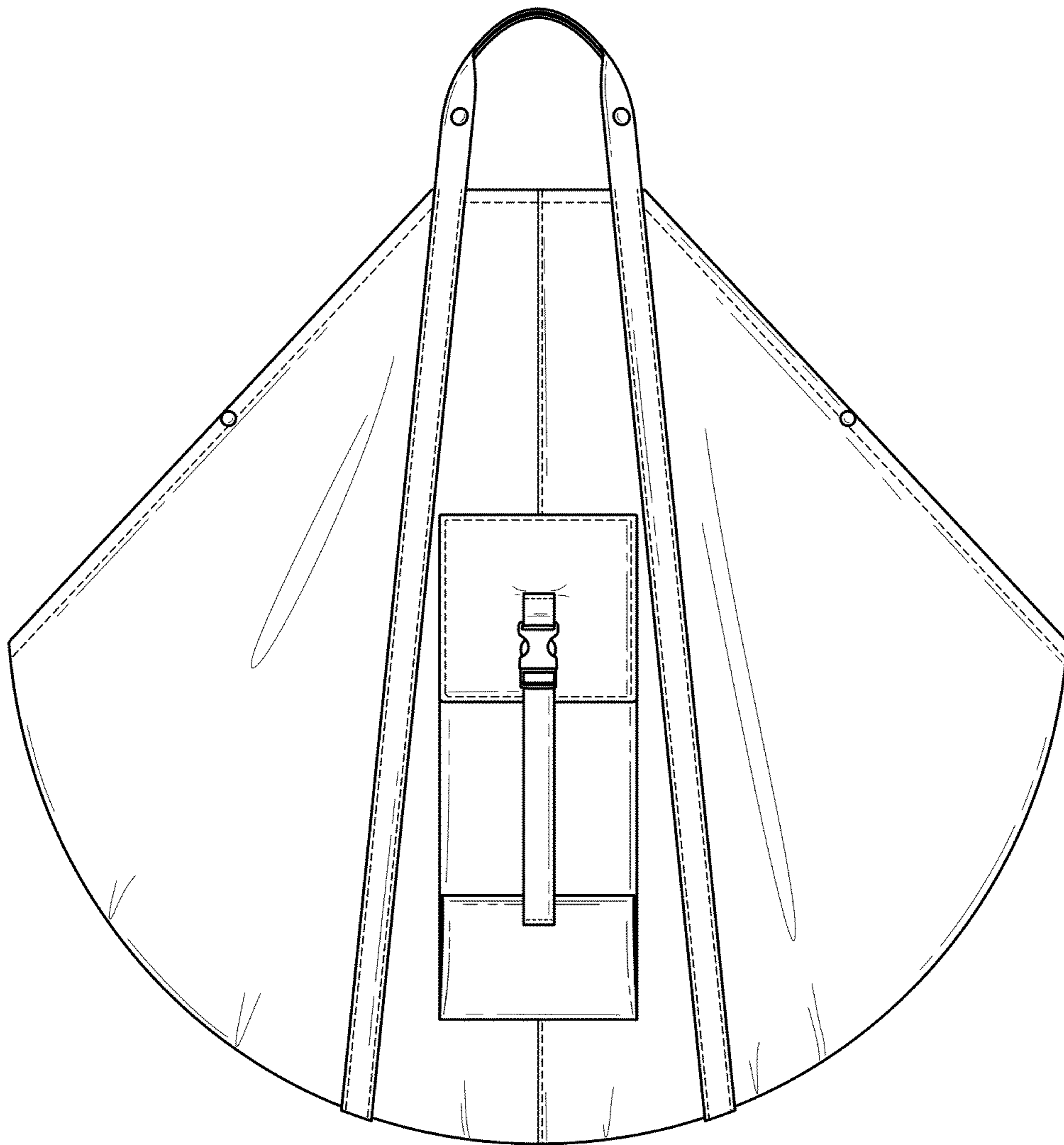


FIG. 2

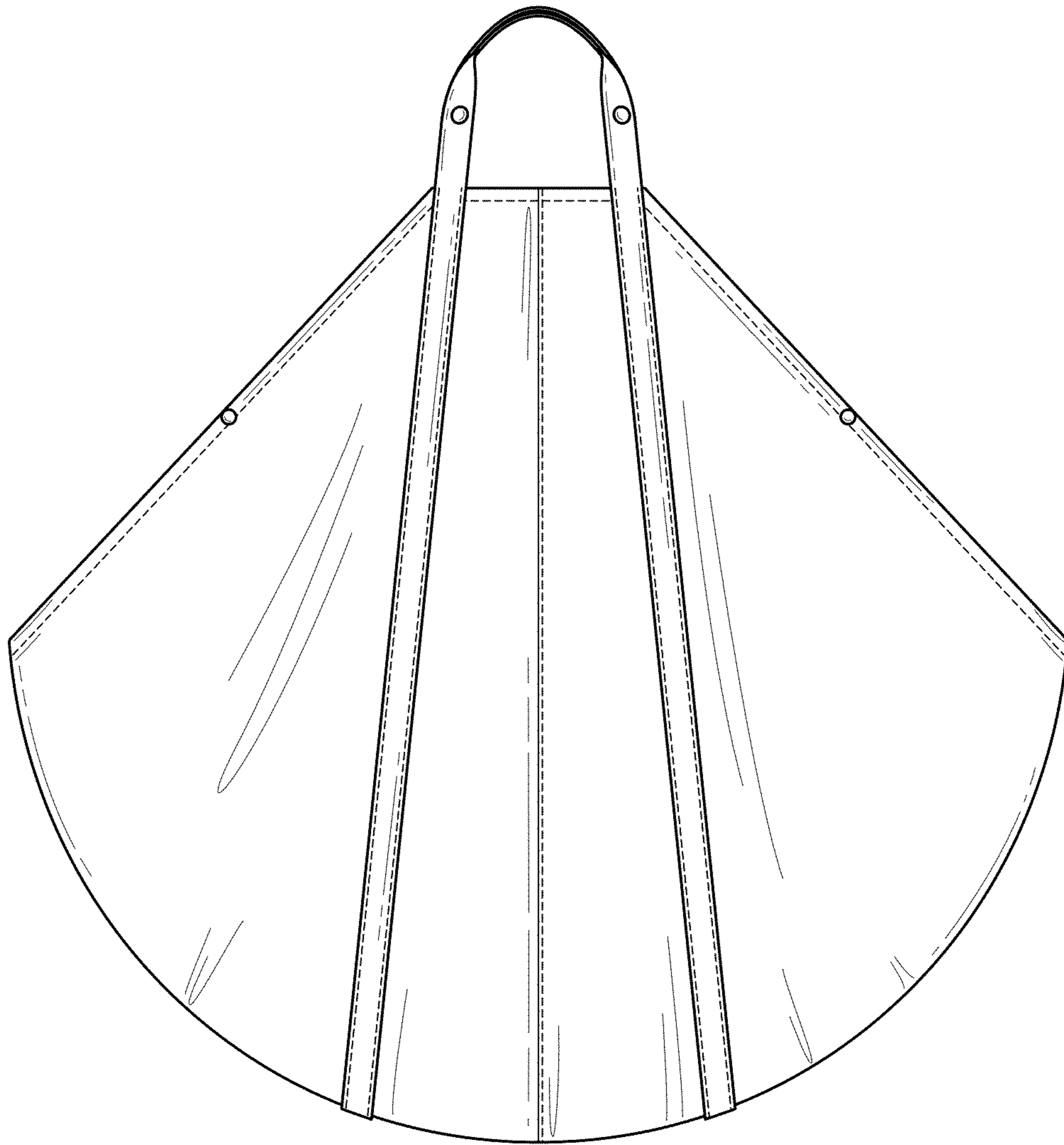


FIG. 3



FIG. 4



FIG. 5

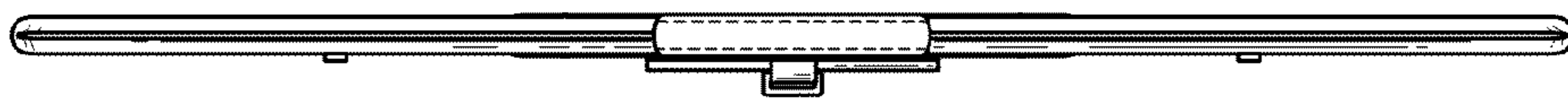


FIG. 6

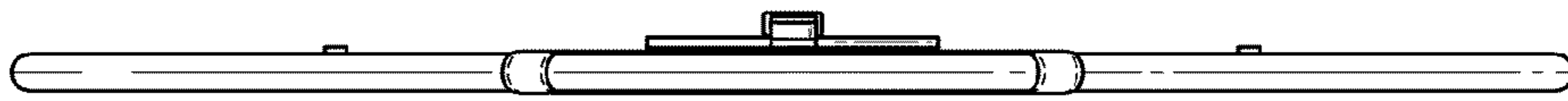


FIG. 7