

US00D754970S

(12) **United States Design Patent**
Barlier

(10) **Patent No.:** **US D754,970 S**

(45) **Date of Patent:** **** May 3, 2016**

(54) **BAG**

(71) Applicant: **KeepCool USA LLC**, Lafayette, CA
(US)

(72) Inventor: **Pierre Barlier**, Lafayette, CA (US)

(**) Term: **14 Years**

(21) Appl. No.: **29/511,926**

(22) Filed: **Dec. 15, 2014**

(51) **LOC (10) Cl.** **03-01**

(52) **U.S. Cl.**
USPC **D3/301**

(58) **Field of Classification Search**
USPC D3/301
CPC A45C 3/08; A45C 1/024; A45C 13/30;
A45C 13/38

See application file for complete search history.

(56) **References Cited**

U.S. PATENT DOCUMENTS

D312,349 S * 11/1990 Pogue D12/133
D324,953 S * 3/1992 Swanner D12/416

* cited by examiner

Primary Examiner — Holly Baynham
(74) *Attorney, Agent, or Firm* — Buchalter Nemer

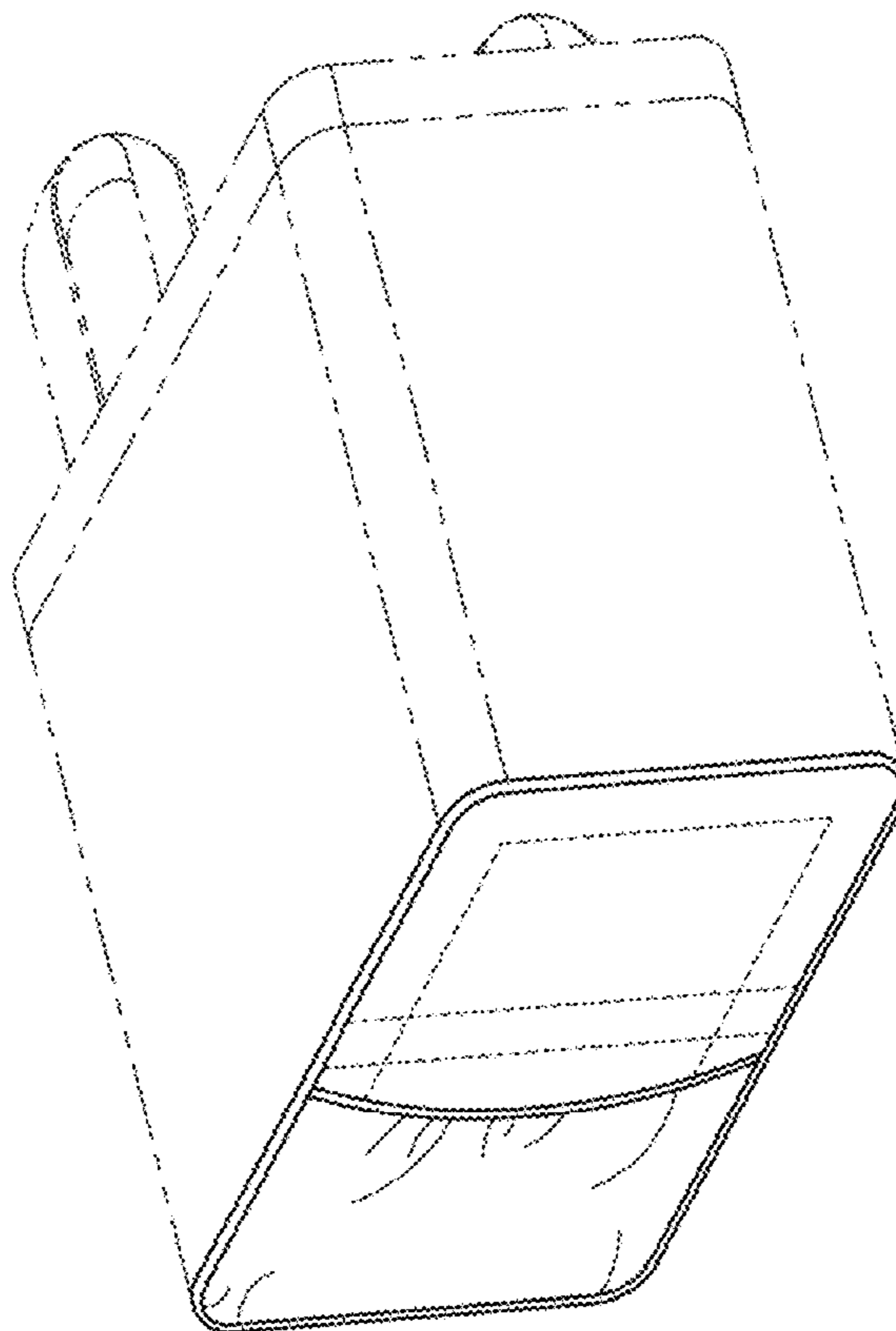
(57) **CLAIM**

The ornamental design for a bag, as shown and described.

DESCRIPTION

FIG. 1 is a bottom, front and right side perspective view;
FIG. 2 is a rear elevation view;
FIG. 3 is a bottom plan view;
FIG. 4 is a top plan view;
FIG. 5 is a front elevation view;
FIG. 6 is a right side elevation view; and,
FIG. 7 is a left side elevation view.
The broken lines showing a bag are for the purposes of illustrating environment and form no part of the claimed design.

1 Claim, 4 Drawing Sheets



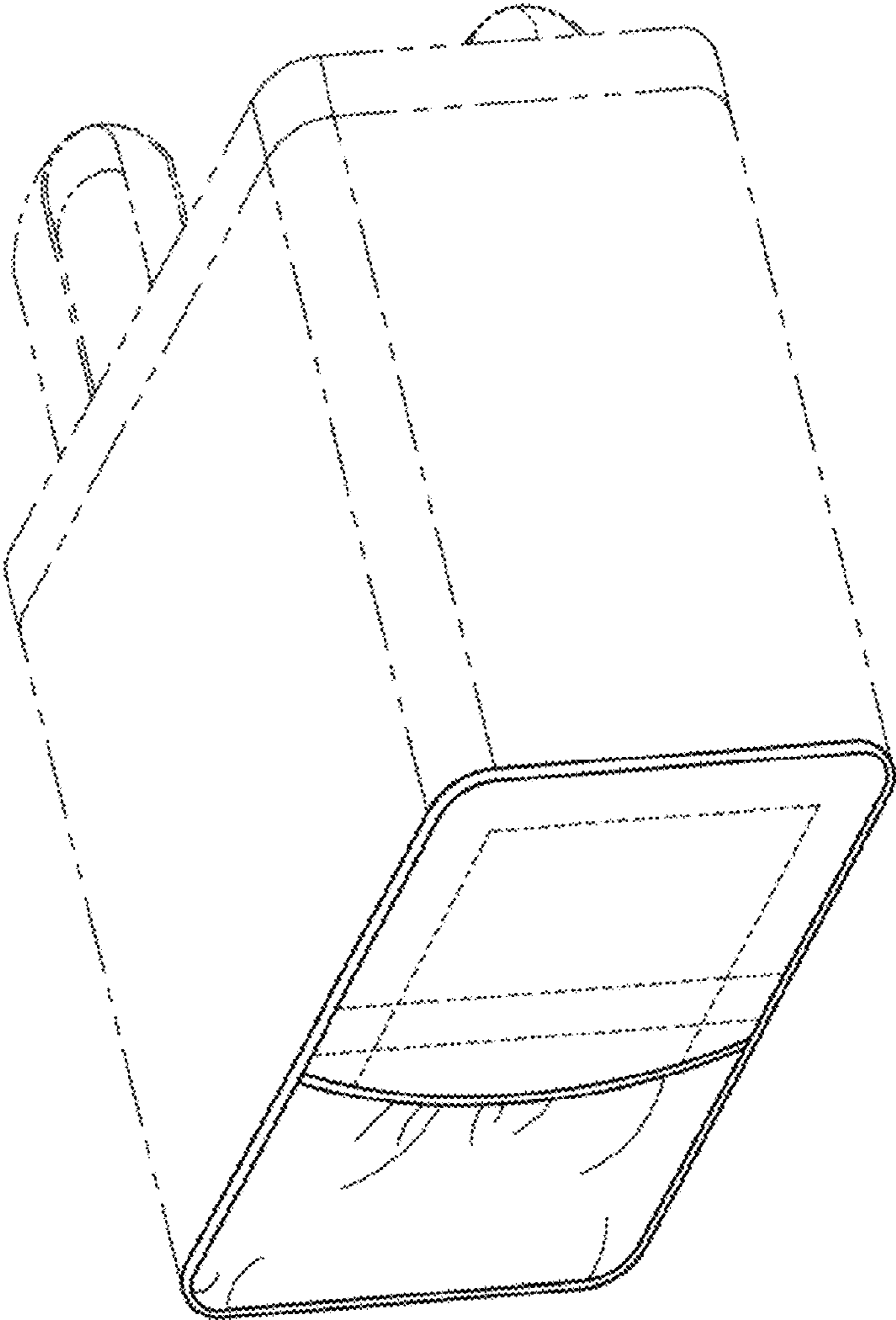


FIG. 1

FIG. 2

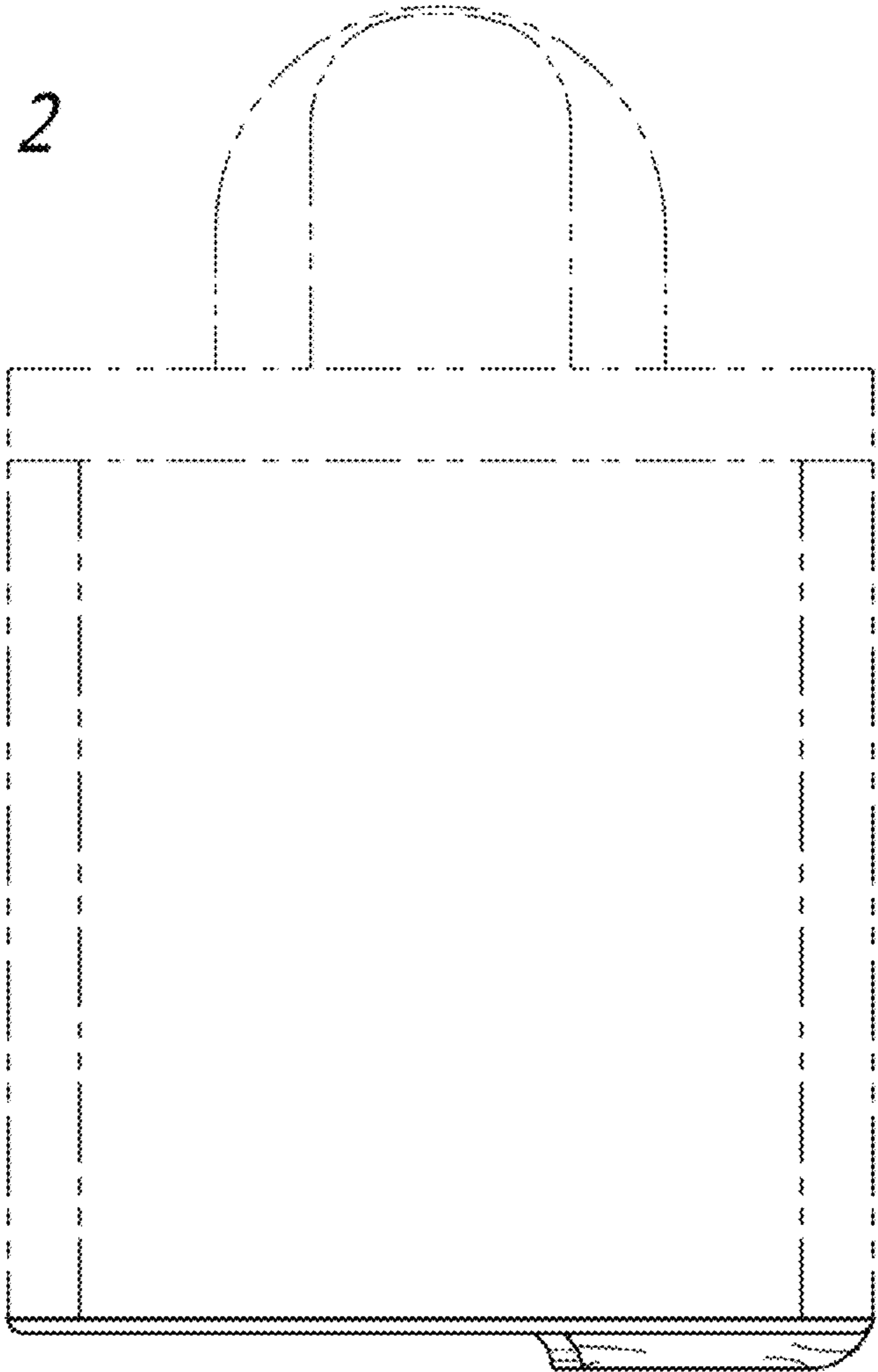


FIG. 3

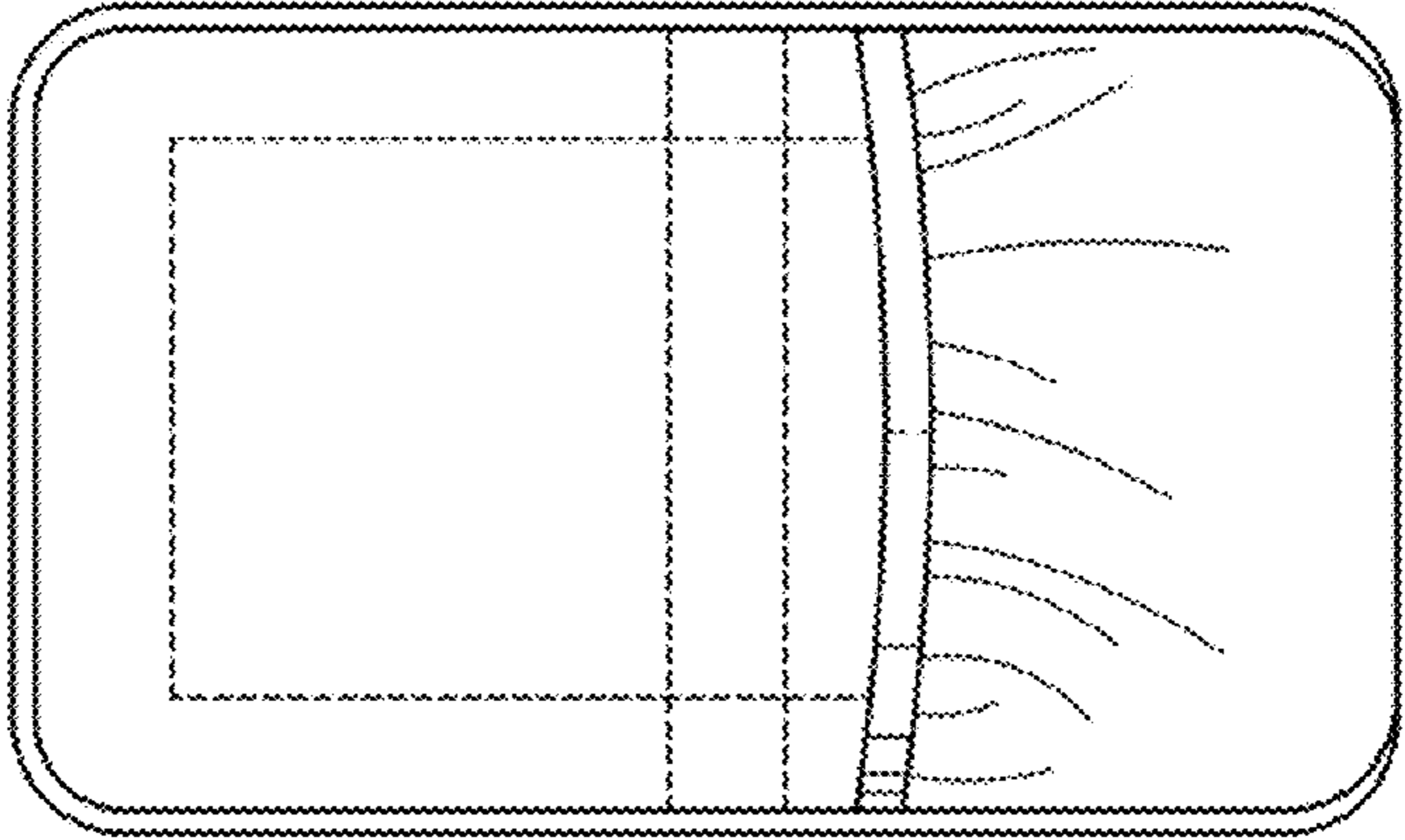


FIG. 4

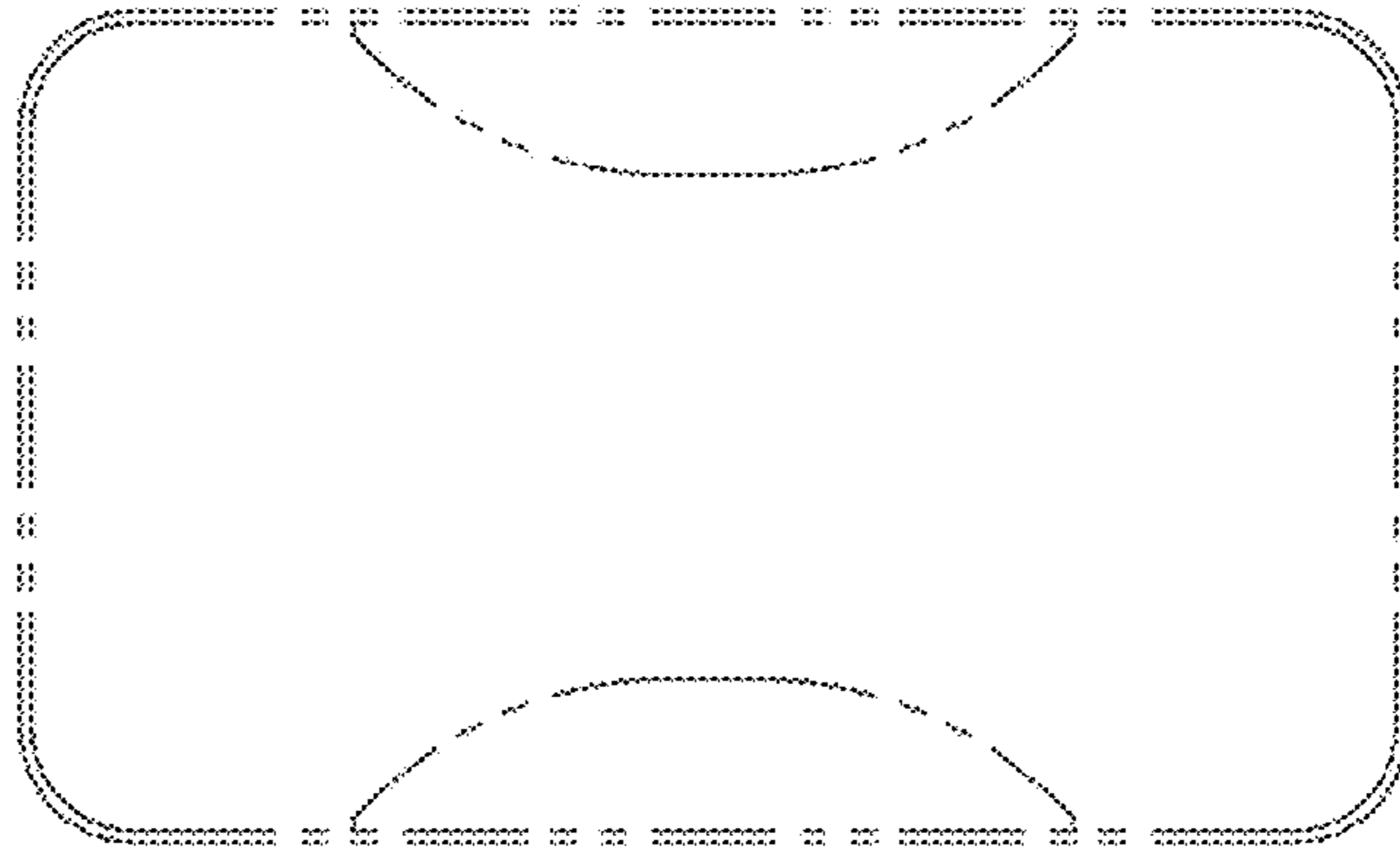
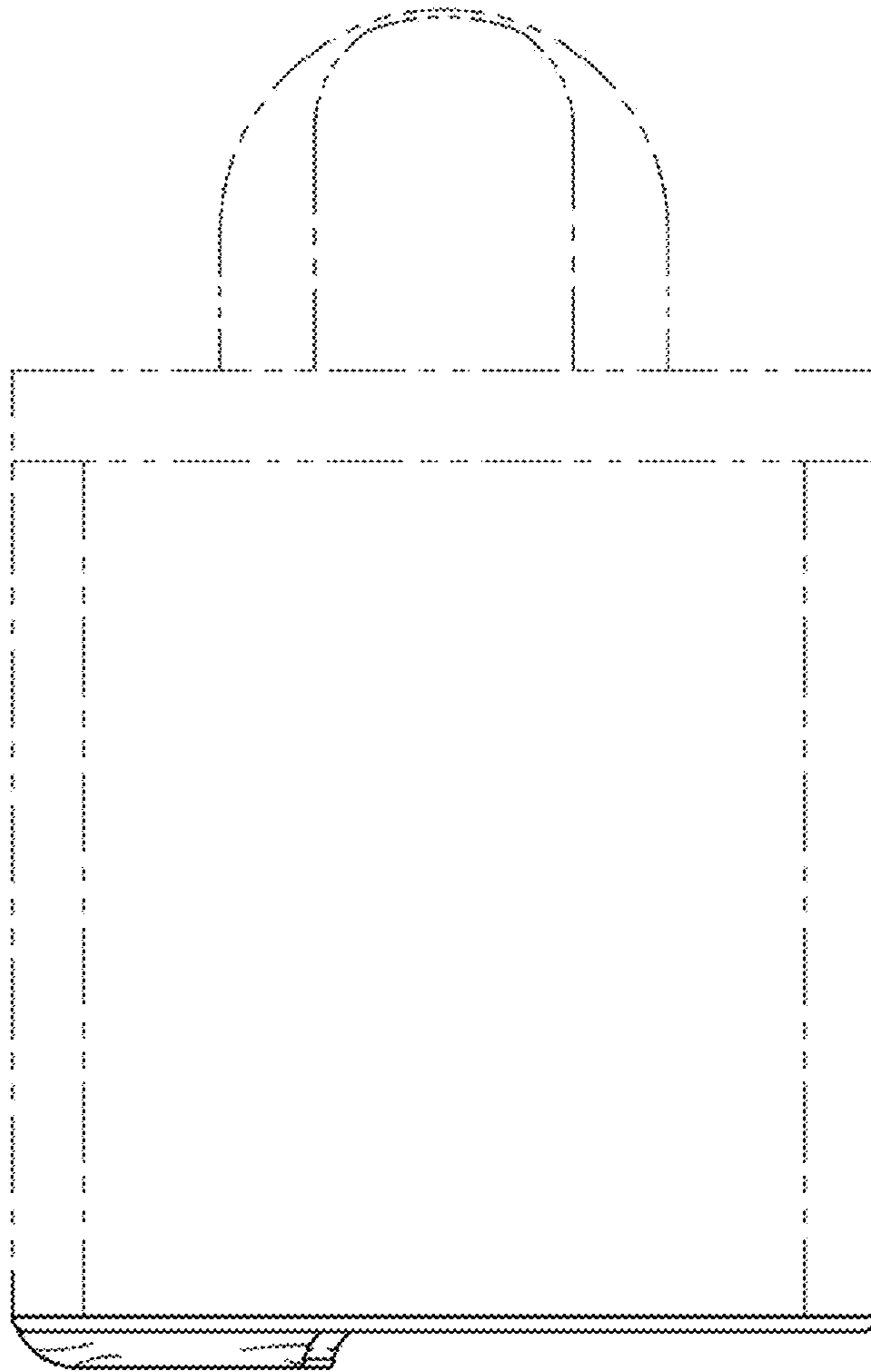


FIG. 5



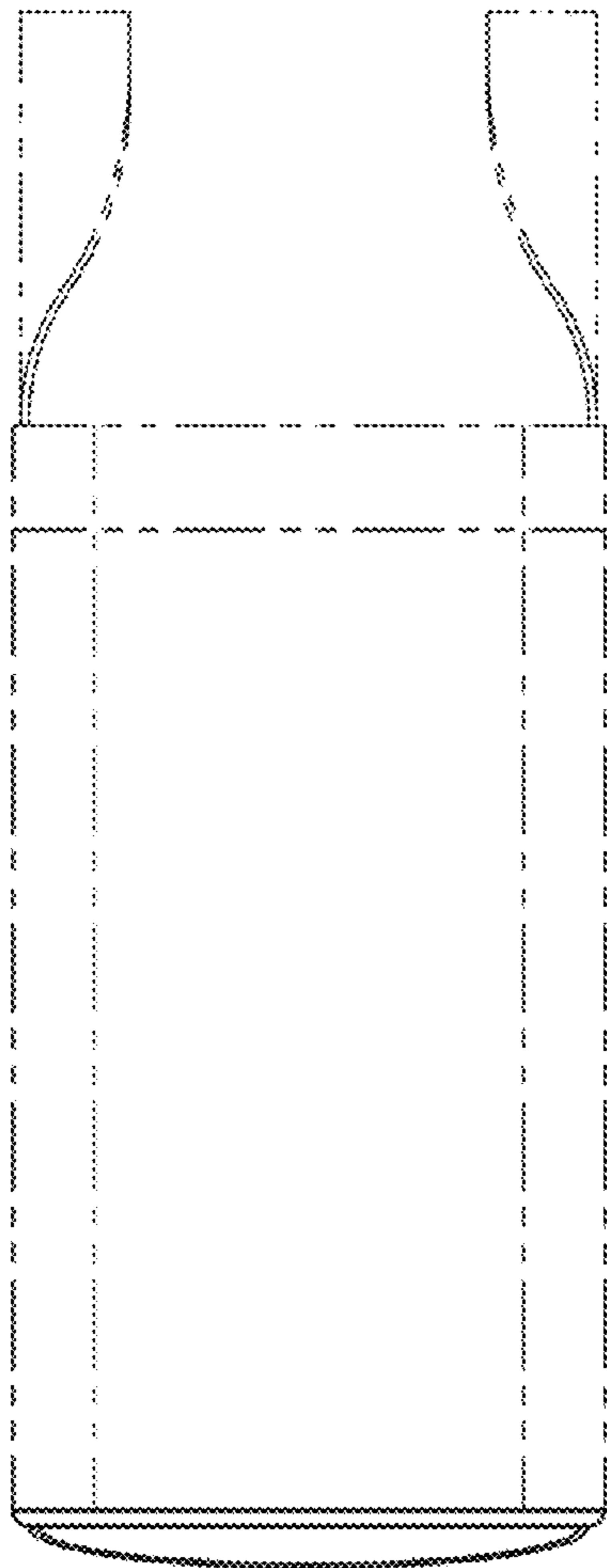


FIG. 6

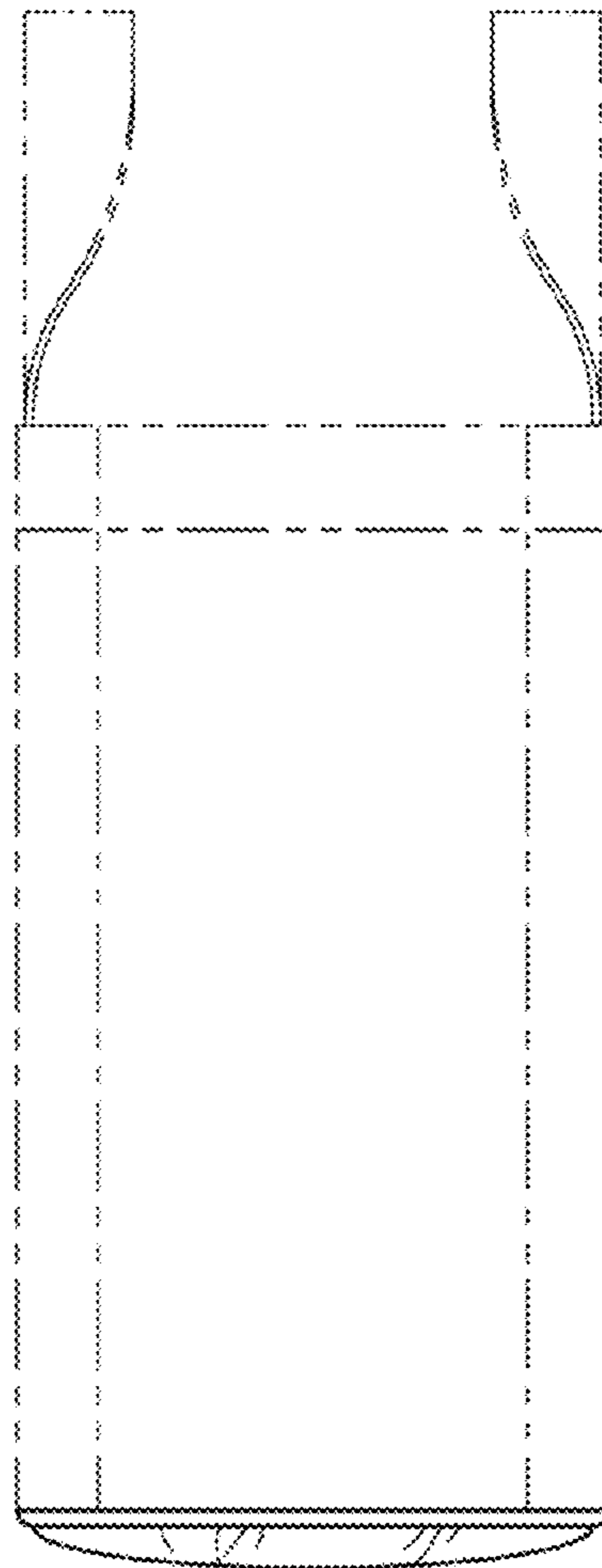


FIG. 7