

US00D754969S

(12) **United States Design Patent**
Godshaw et al.

(10) **Patent No.:** **US D754,969 S**

(45) **Date of Patent:** **** May 3, 2016**

(54) **TOILETRIES AND ACCESSORIES CASE FOR TRAVEL**

(71) Applicant: **Travel Caddy, Inc.**, Elk Grove Village, IL (US)

(72) Inventors: **Donald E. Godshaw**, Wilmette, IL (US);
Slobodan S. Zivanovic, Des Plaines, IL (US)

(73) Assignee: **Travel Caddy, Inc.**, Elk Grove Village, IL (US)

(**) Term: **14 Years**

(21) Appl. No.: **29/511,525**

(22) Filed: **Dec. 11, 2014**

Related U.S. Application Data

(62) Division of application No. 29/467,215, filed on Sep. 17, 2013, now Pat. No. Des. 721,493.

(51) **LOC (10) Cl.** **03-01**

(52) **U.S. Cl.**
USPC **D3/299**

(58) **Field of Classification Search**
USPC D3/299, 301
CPC A45C 5/00; A45C 13/00
See application file for complete search history.

(56) **References Cited**

U.S. PATENT DOCUMENTS

2,754,867	A *	7/1956	Langer	B65D 75/42 206/278
D354,851	S *	1/1995	Smith	D3/254
D369,025	S *	4/1996	Miller	D3/278
D566,964	S *	4/2008	Greiner	D3/278
D588,353	S *	3/2009	Khubani	D3/201
D646,485	S *	10/2011	Mason	D3/284

* cited by examiner

Primary Examiner — Holly Baynham

(74) *Attorney, Agent, or Firm* — Nancy R. Gamburd;
Gamburd Law Group LLC

(57) **CLAIM**

The ornamental design for a toiletries and accessories case for travel, as shown and described.

DESCRIPTION

FIG. 1 is a perspective view of a toiletries and accessories case for travel showing our new design;
FIG. 2 is a front view thereof;
FIG. 3 is rear view thereof;
FIG. 4 is a side elevational view thereof;
FIG. 5 is an opposite side elevational view thereof;
FIG. 6 is a top plan view thereof; and,
FIG. 7 is a bottom plan view thereof.
The broken lines showing toiletries, zipper, zipper pulls and a hanger are for the purposes of illustrating environment and form no part of the claimed design.

1 Claim, 5 Drawing Sheets

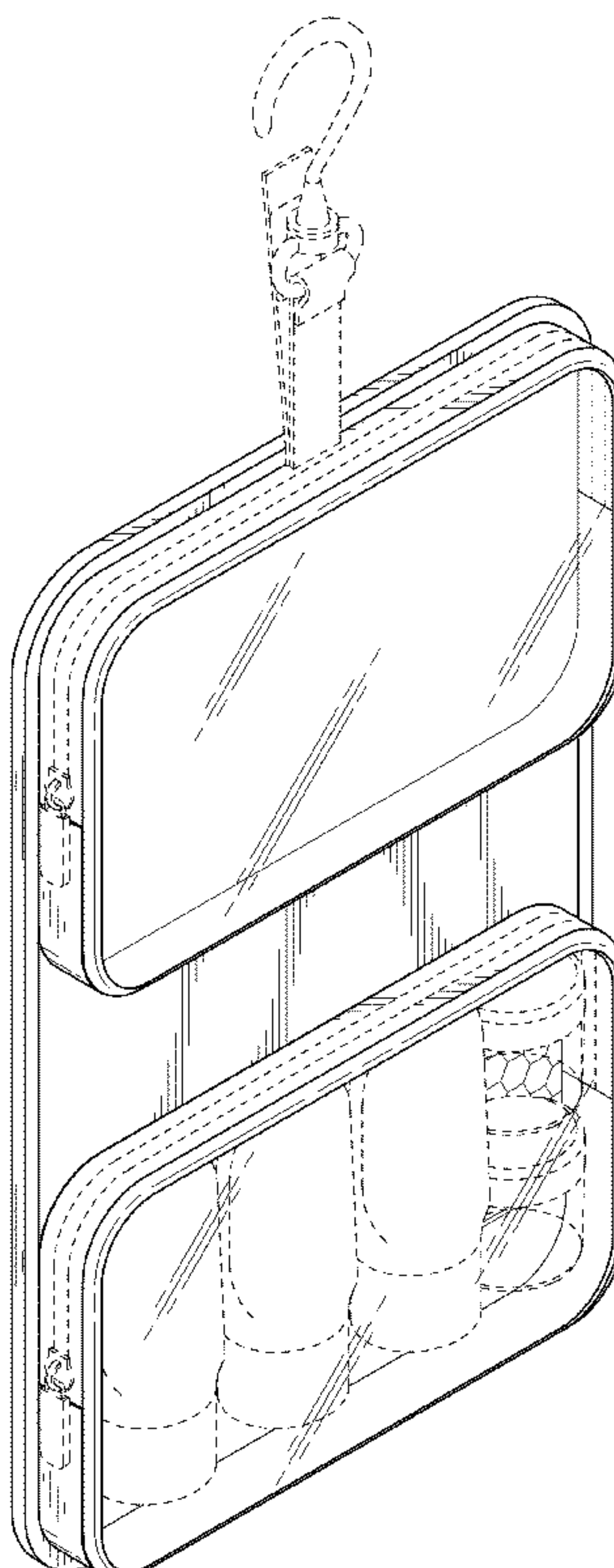


FIG. 1

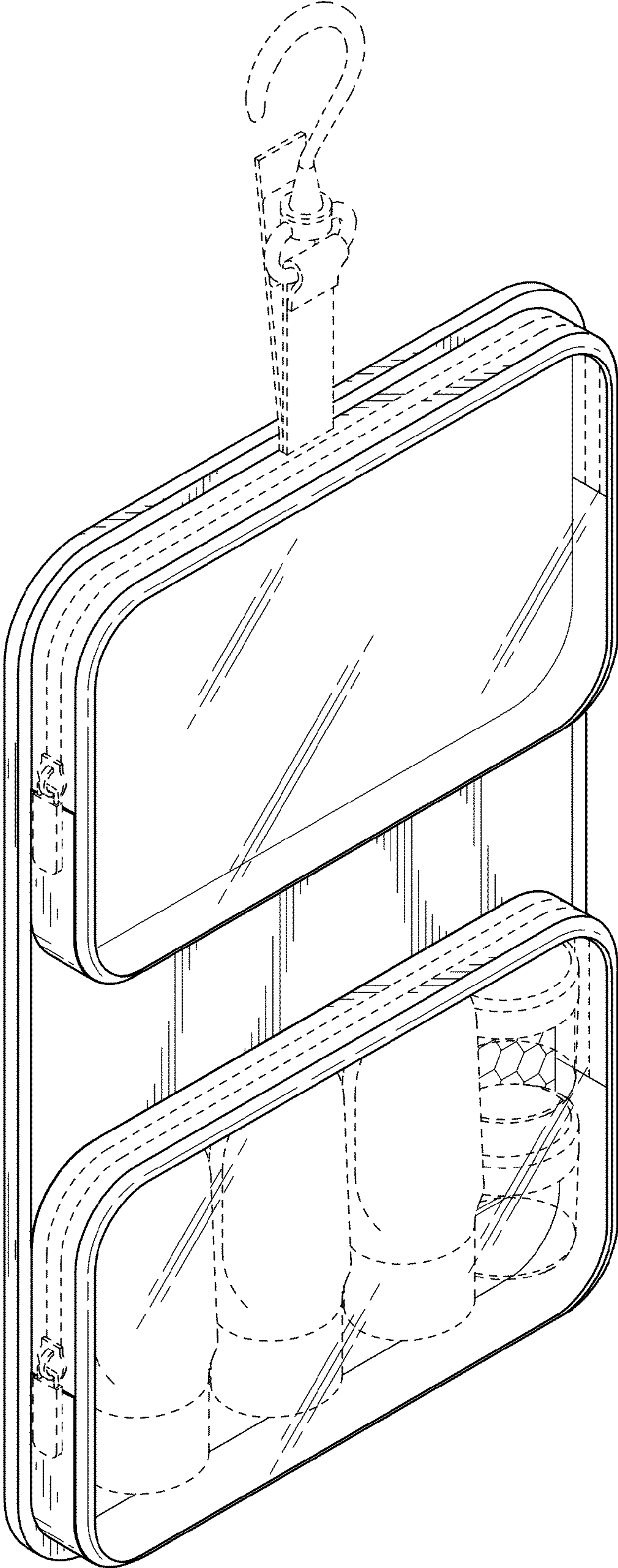


FIG. 2

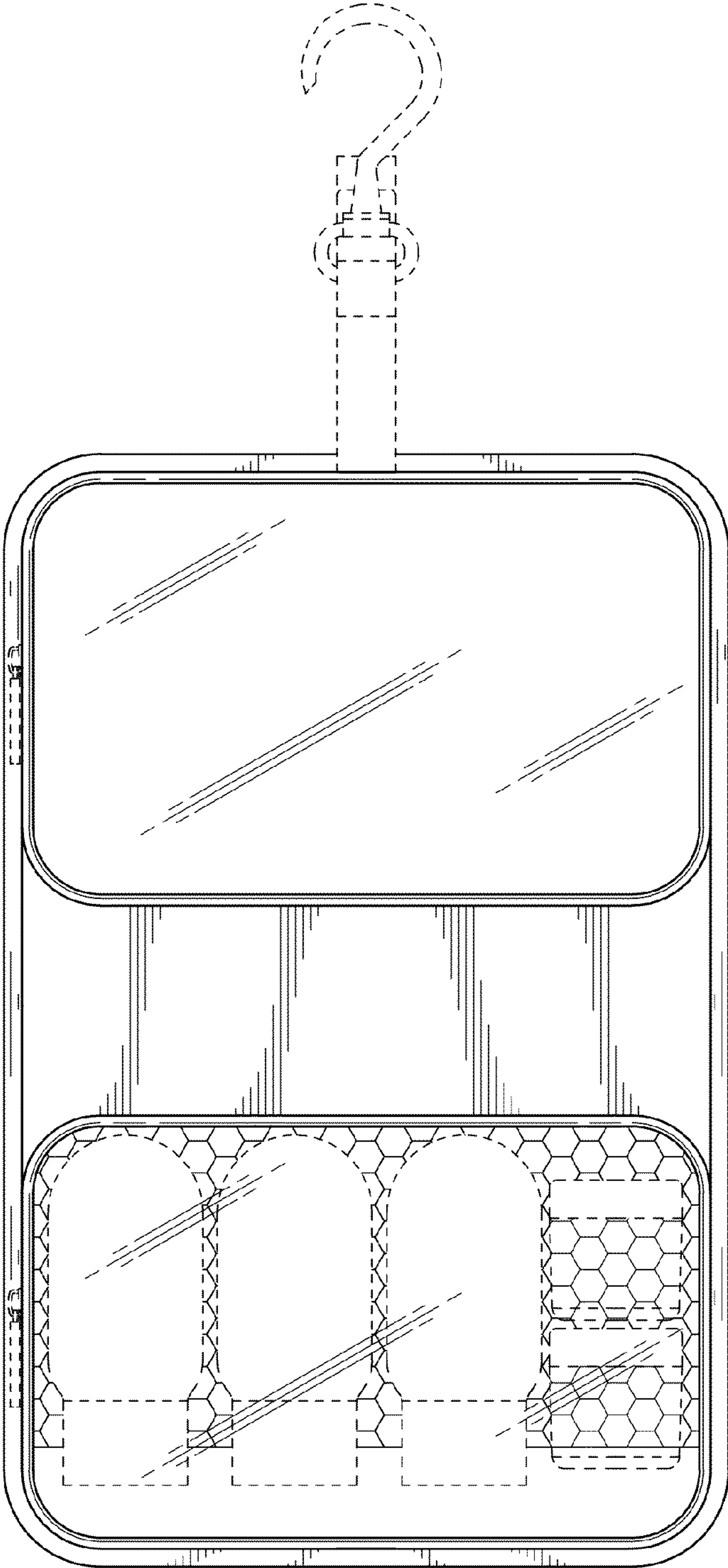


FIG. 3

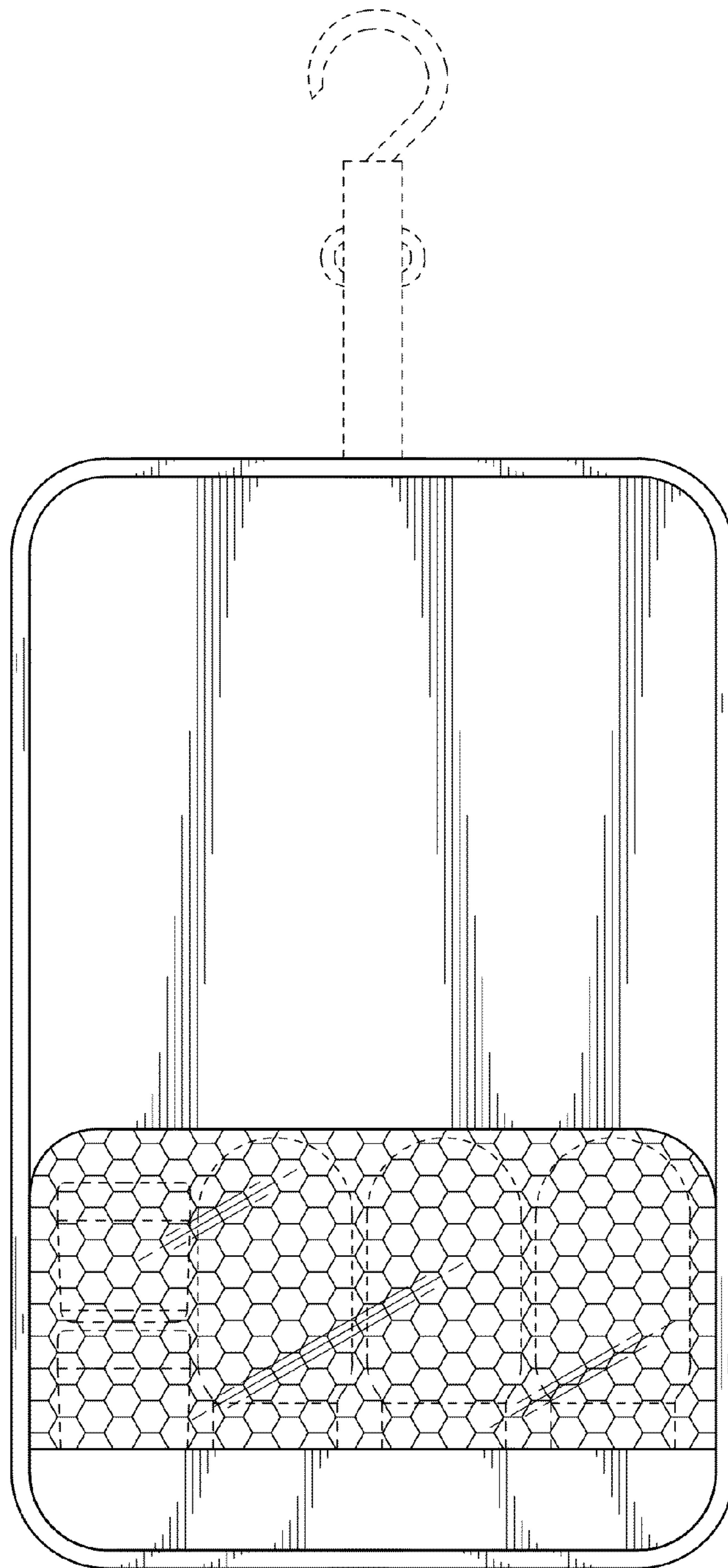


FIG. 4

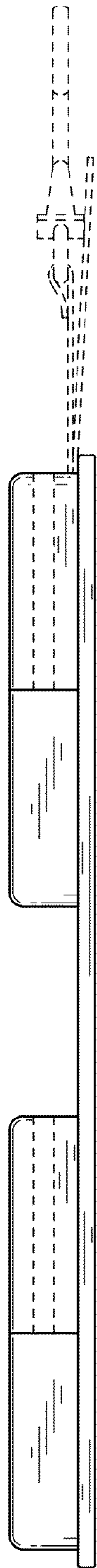


FIG. 5

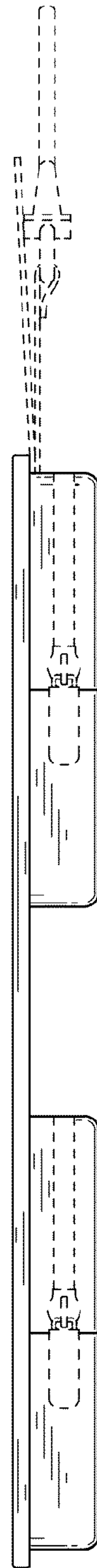


FIG. 6

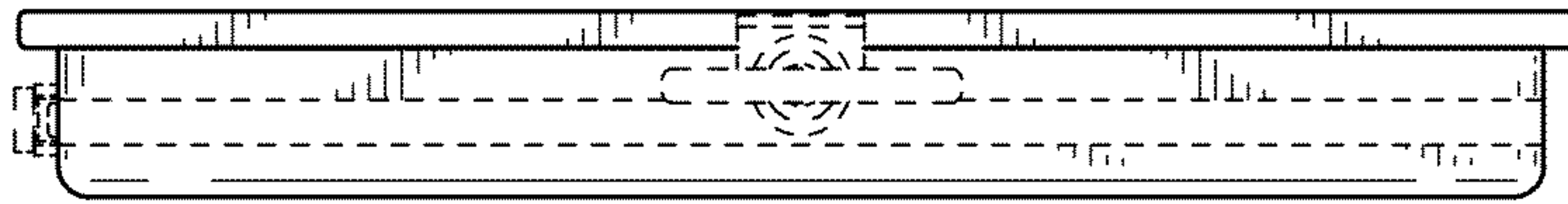


FIG. 7

