



US00D754968S

(12) **United States Design Patent**
Whalen

(10) **Patent No.:** **US D754,968 S**
(45) **Date of Patent:** **** May 3, 2016**

(54) **TRAY BOX**

(71) Applicant: **Plano Molding Company**, Plano, IL (US)

(72) Inventor: **John H. Whalen**, Sheridan, IL (US)

(73) Assignee: **Plano Molding Company**, Plano, IL (US)

(**) Term: **14 Years**

(21) Appl. No.: **29/493,484**

(22) Filed: **Jun. 10, 2014**

(51) **LOC (10) Cl.** **03-01**

(52) **U.S. Cl.**
USPC **D3/296**

(58) **Field of Classification Search**

USPC D3/218, 227, 232–233, 239, 240–243,
D3/247, 249, 281, 284, 291, 295, 302, 303,
D3/318, 323, 327, 328, 900
CPC A01K 97/06; A01K 97/22; Y10S 312/902;
Y10S 224/92; B25H 3/02; B65D 25/02;
B65D 21/0204

See application file for complete search history.

(56) **References Cited**

U.S. PATENT DOCUMENTS

1,577,566 A 3/1926 Cryder
2,629,644 A 2/1953 Heys
3,301,619 A 1/1967 Mead
3,330,608 A 7/1967 Druger
3,606,511 A 9/1971 Henning
3,948,579 A 4/1976 Schirmer
3,985,409 A 10/1976 Kneier
4,118,086 A 10/1978 Kneier
4,765,470 A 8/1988 Curci

4,782,619 A 11/1988 Richards
5,176,281 A 1/1993 Fiore
5,205,429 A 4/1993 Woolworth et al.

(Continued)

FOREIGN PATENT DOCUMENTS

WO WO 01/56377 8/2001
WO WO2007/083392 7/2007

Primary Examiner — Robert M Spear

Assistant Examiner — Eliza Bennett-Hattan

(74) *Attorney, Agent, or Firm* — McGuireWoods LLP

(57) **CLAIM**

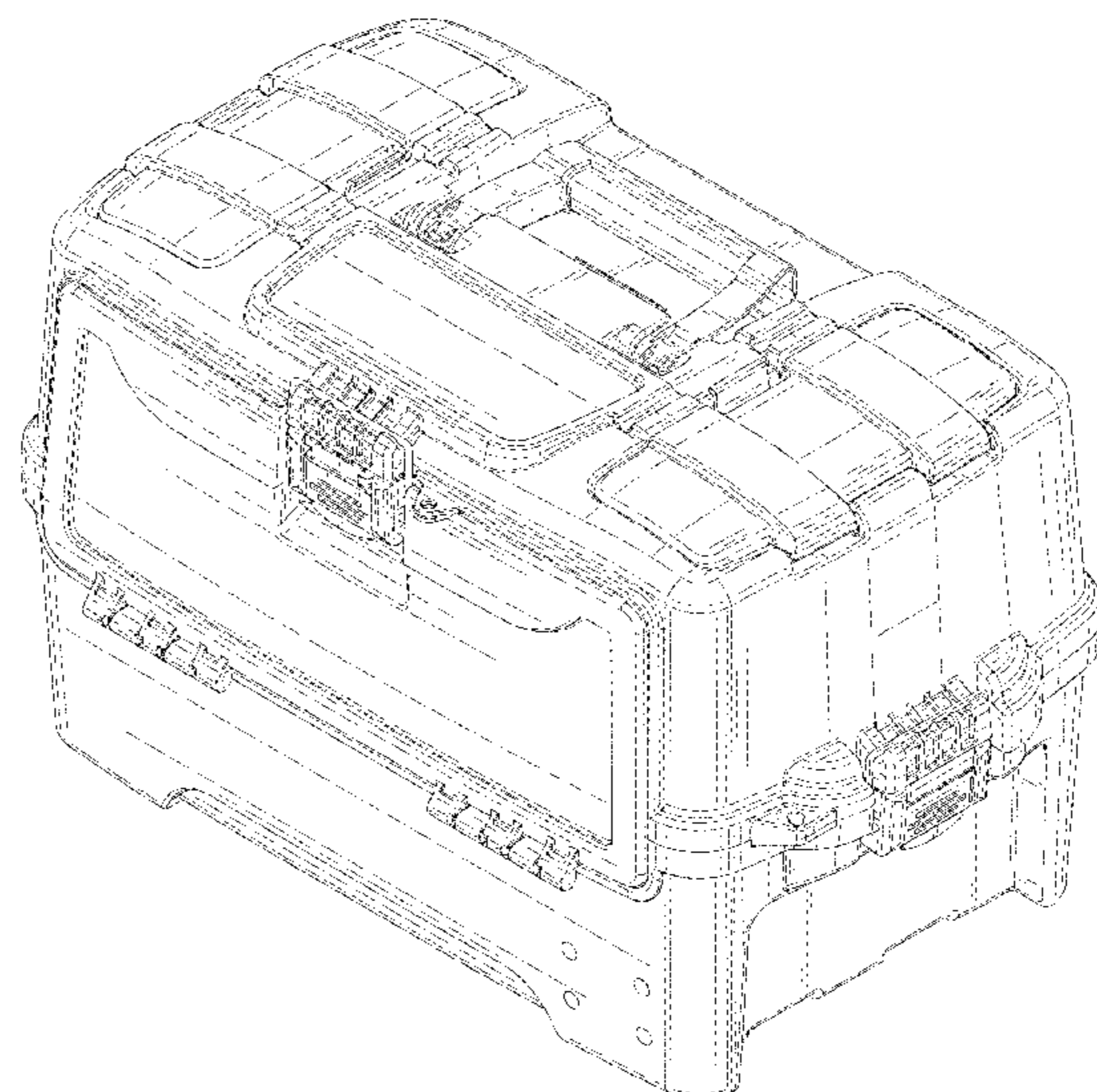
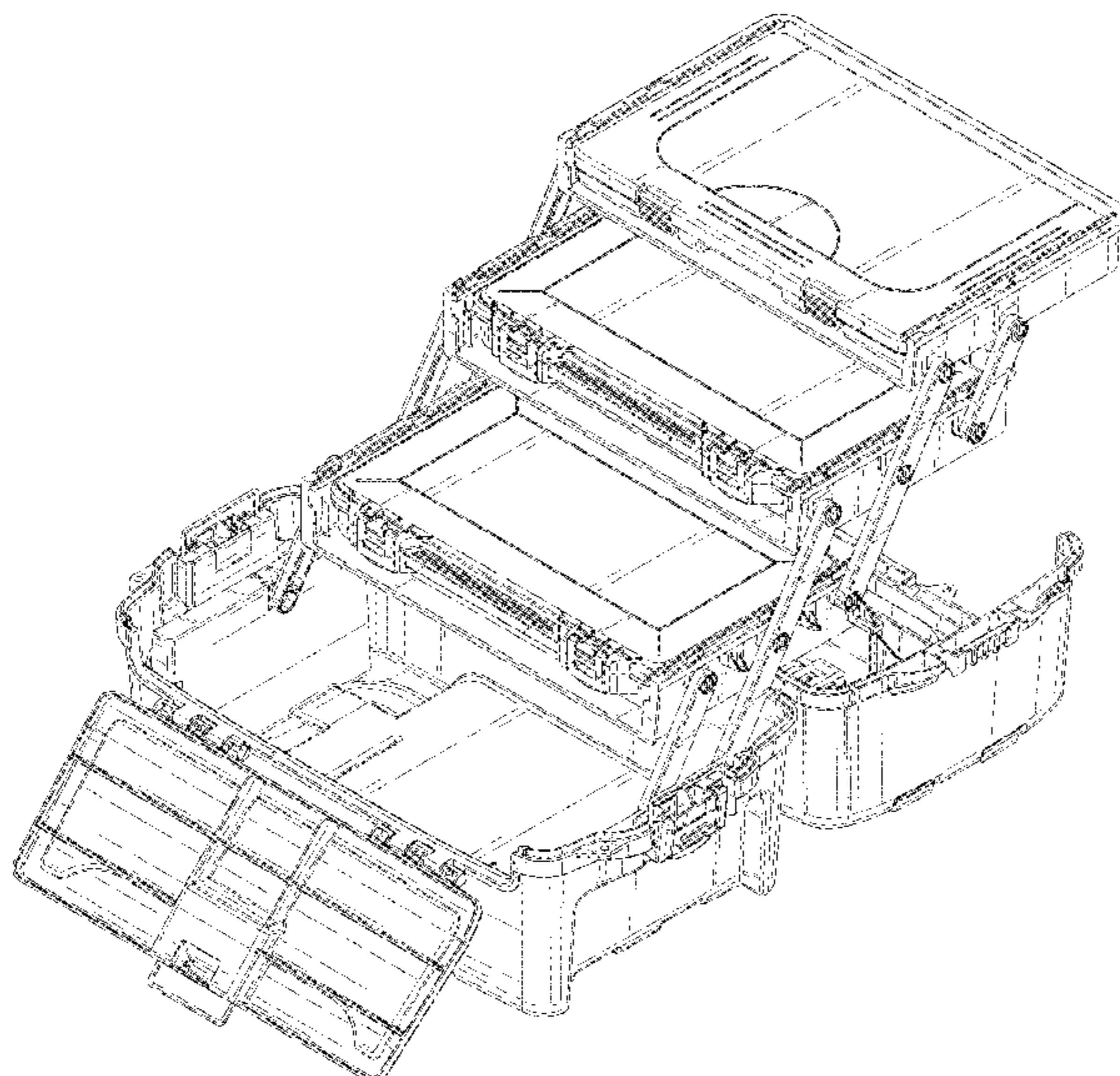
I claim the ornamental design for a tray box, as shown and described.

DESCRIPTION

FIG. 1 is a right-front open perspective view of the tray box; FIG. 2 is a front open view of the tray box shown in FIG. 1; FIG. 3 is a back open view of the tray box shown in FIG. 1; FIG. 4 is a left side open view of the tray box shown in FIG. 1; FIG. 5 is a right side open view of the tray box shown in FIG. 1; FIG. 6 is a top open view of the tray box shown in FIG. 1; and FIG. 7 is a bottom open view of the tray box shown in FIG. 1. FIG. 8 is a right-front closed perspective view of the tray box; FIG. 9 is a front closed view of the tray box shown in FIG. 8; FIG. 10 is a front closed view of the tray box shown in FIG. 8; FIG. 11 is a top closed view of the tray box shown in FIG. 8; and, FIG. 12 is a bottom closed view of the tray box shown in FIG. 8.

The broken lines in the drawings depict environmental subject matter only and form no part of the claimed design.

1 Claim, 12 Drawing Sheets



(56)

References Cited

U.S. PATENT DOCUMENTS

5,426,885 A 6/1995 Wittman
5,475,943 A 12/1995 Hodges
D389,309 S * 1/1998 Shaw D3/276
D414,934 S * 10/1999 Dickinson D3/273
7,168,204 B2 1/2007 Wieringa et al.
7,219,969 B2 5/2007 Bezzubov
7,278,234 B2 10/2007 Marino

D579,202 S * 10/2008 Grenier D3/294
7,748,158 B2 7/2010 Wieringa et al.
D637,812 S * 5/2011 Horiyama D3/294
D643,216 S * 8/2011 Greiner D3/296
D712,141 S * 9/2014 Minneman D3/262
D724,842 S * 3/2015 Whalen D3/294
D730,051 S * 5/2015 Whalen D3/284
D733,429 S * 7/2015 Grenier D3/294
2002/0079313 A1 6/2002 Grayson

* cited by examiner

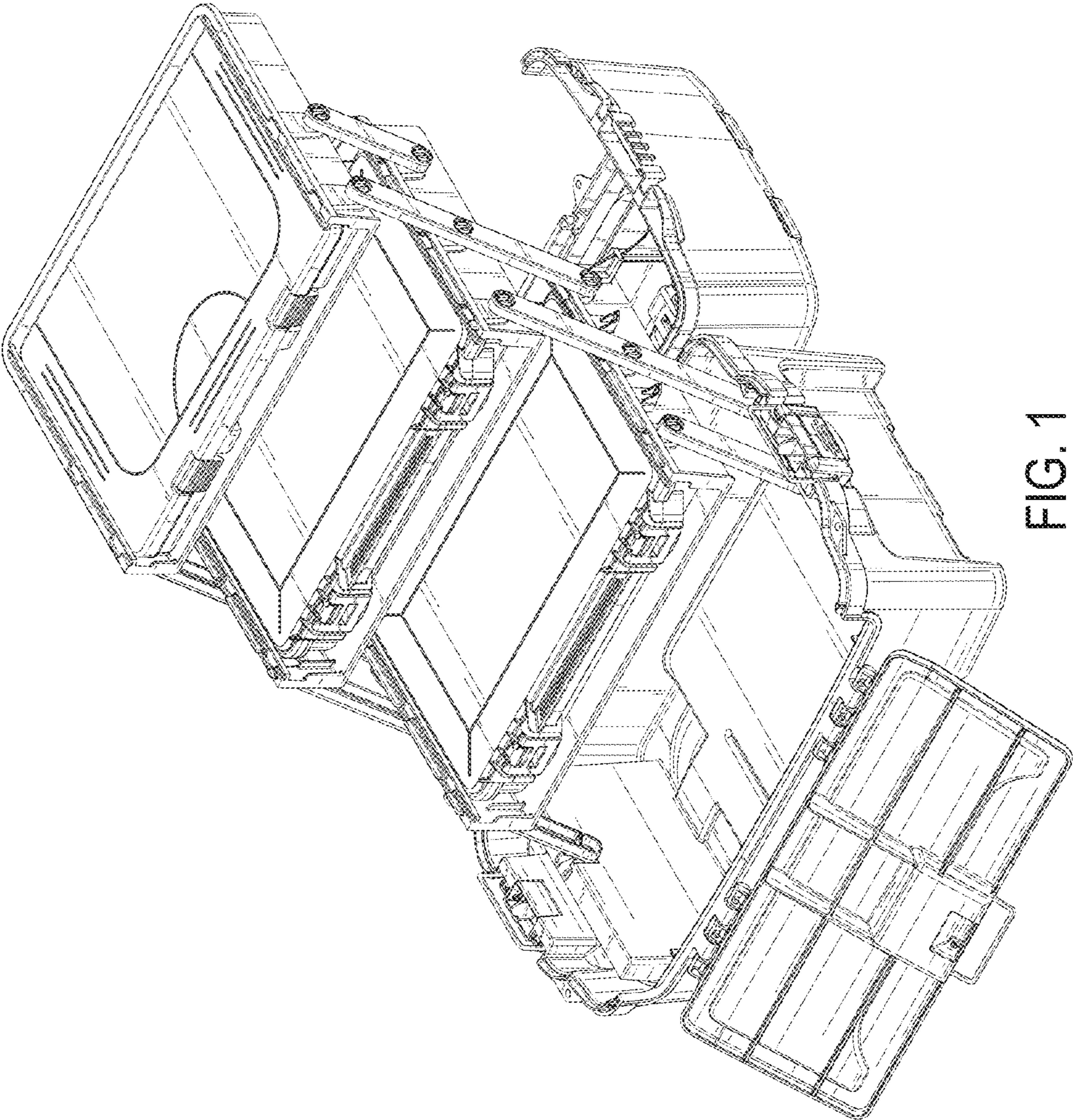


FIG. 1

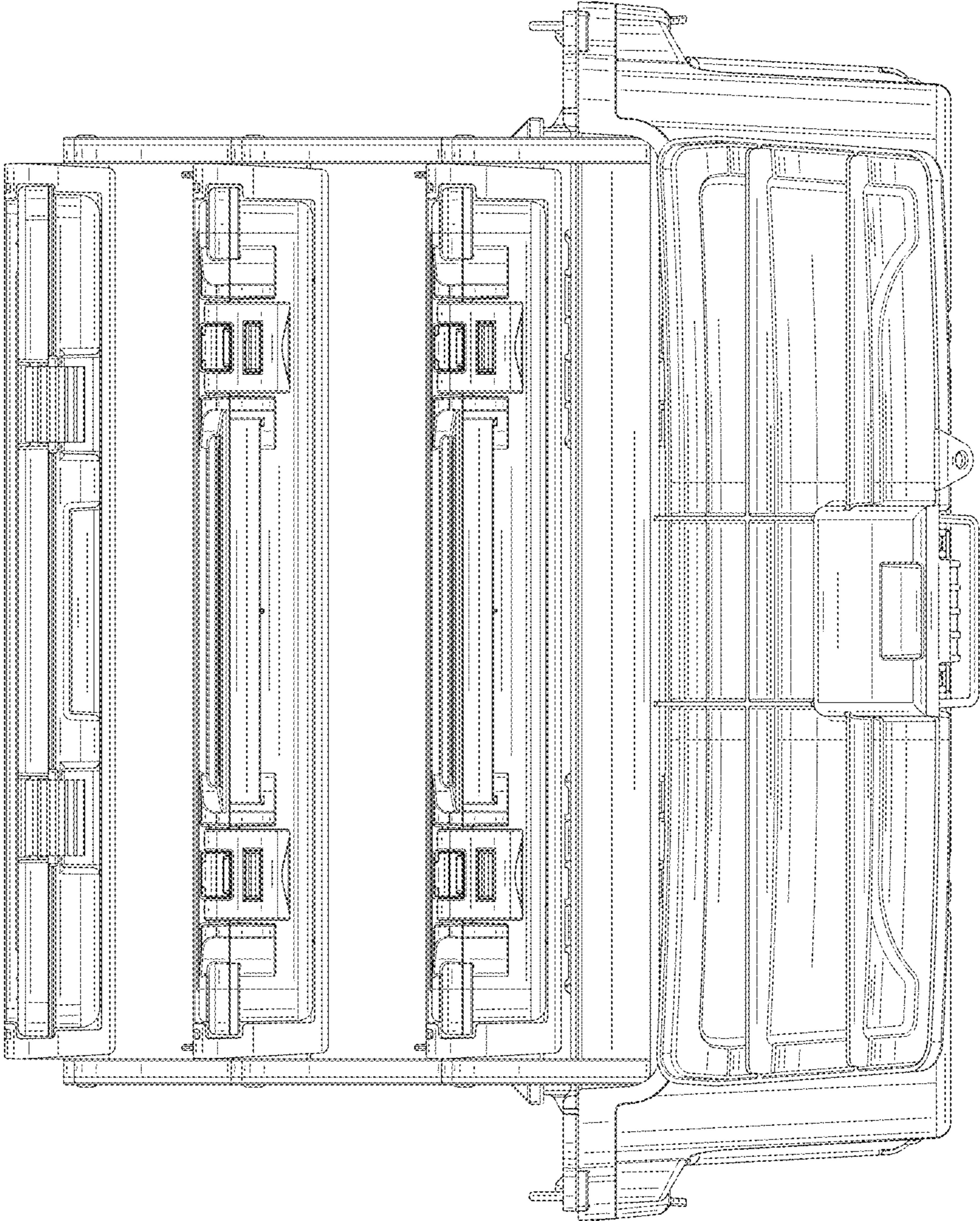


FIG. 2

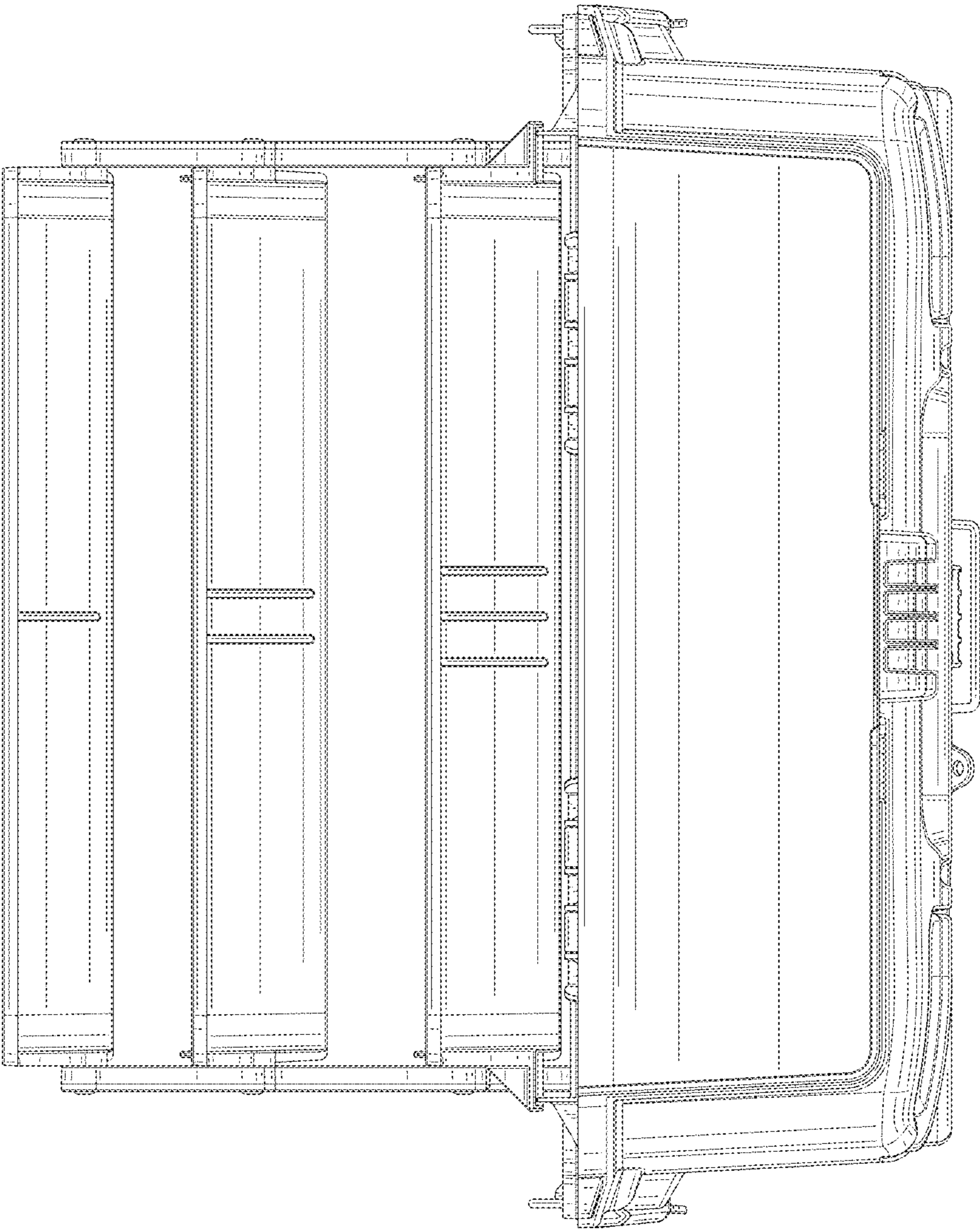


FIG. 3

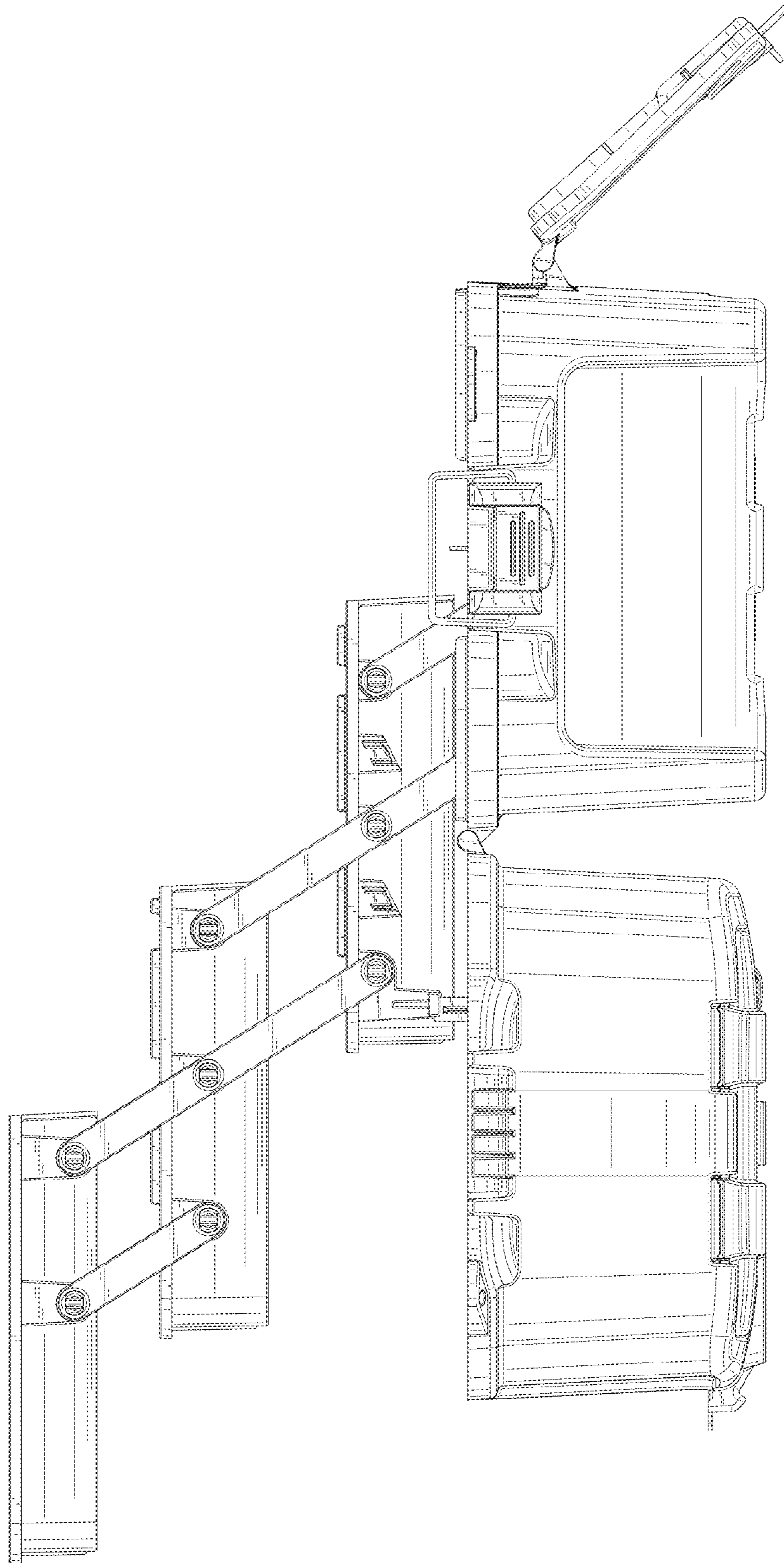


FIG. 4

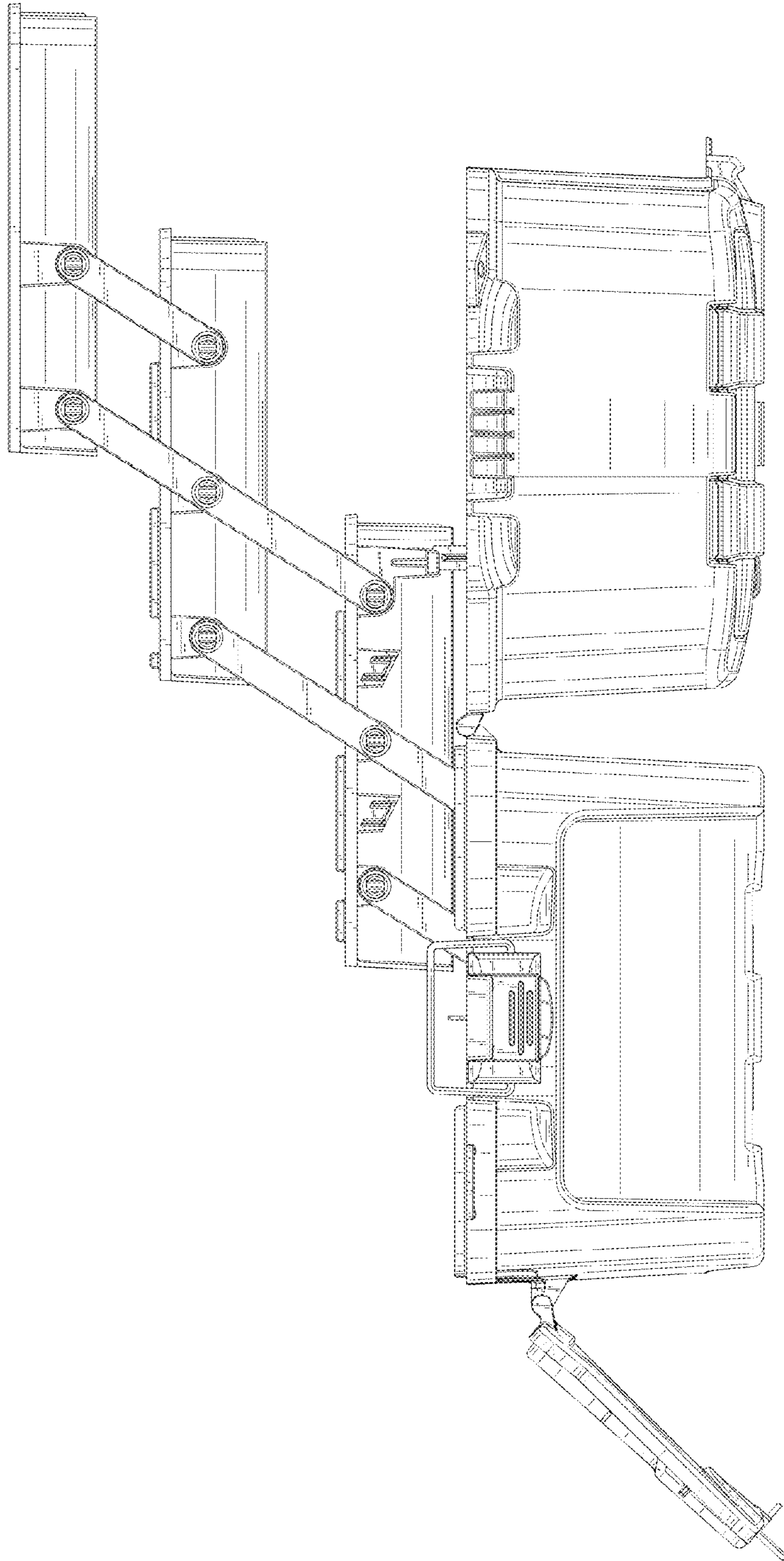


FIG. 5

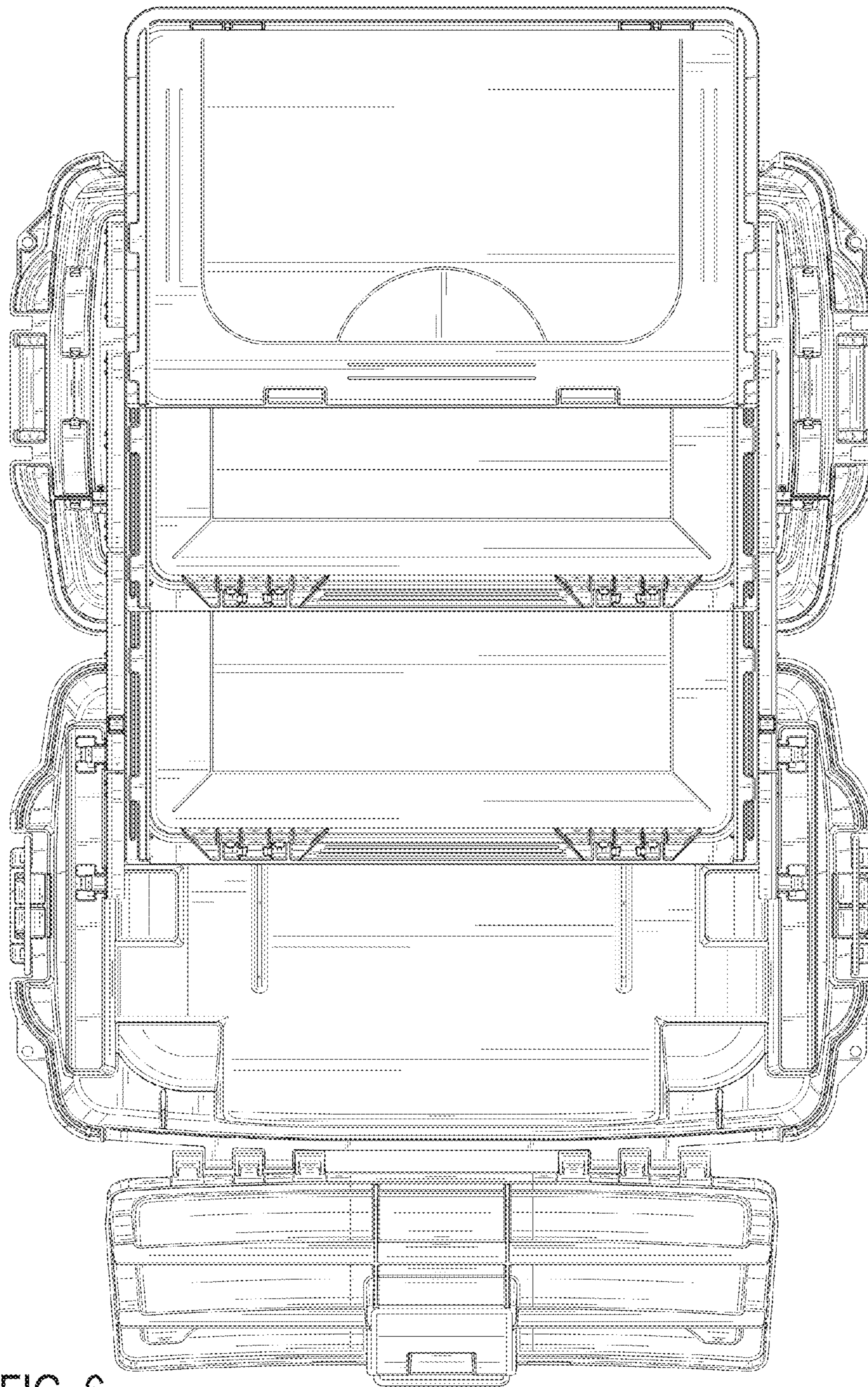


FIG. 6

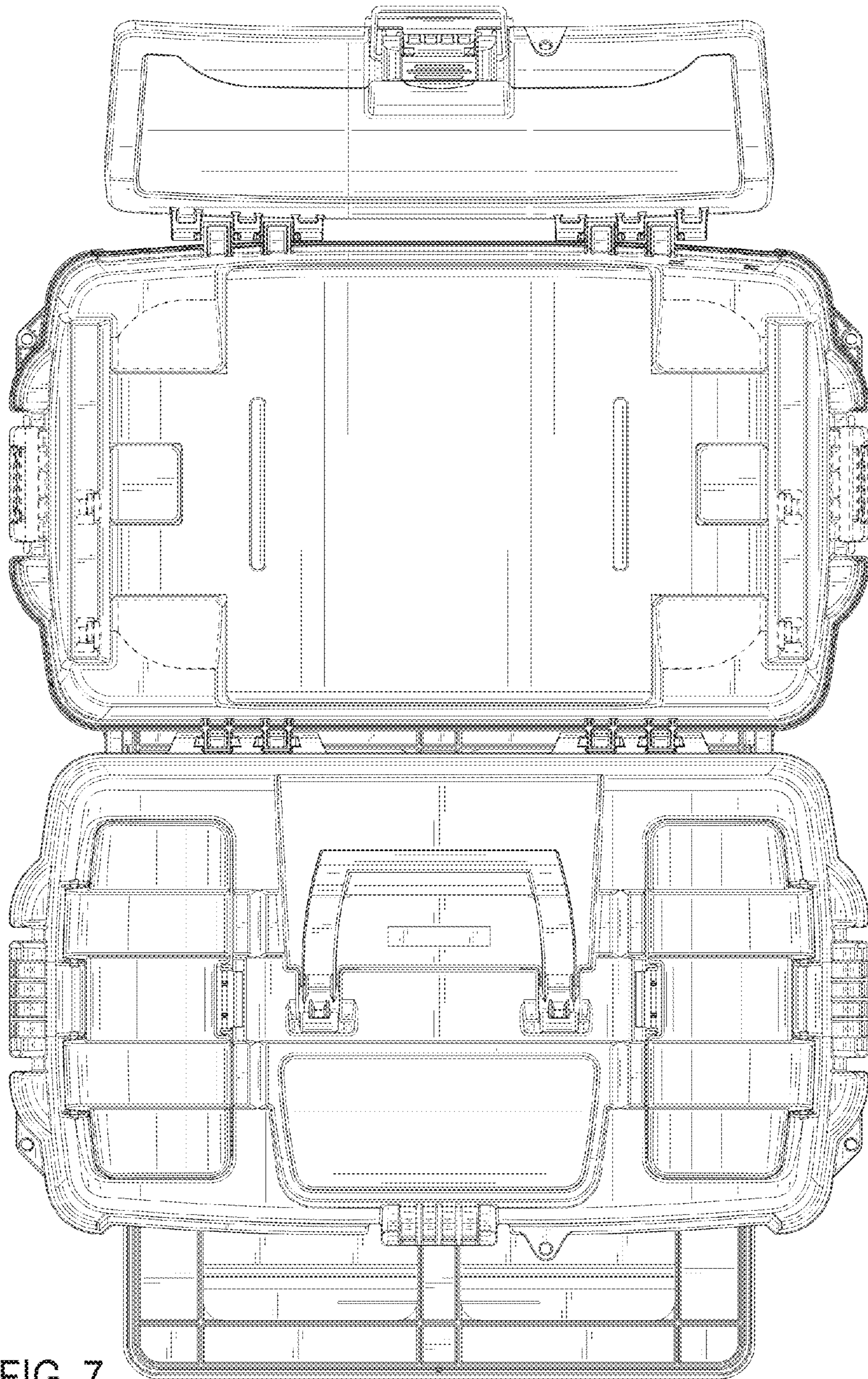


FIG. 7

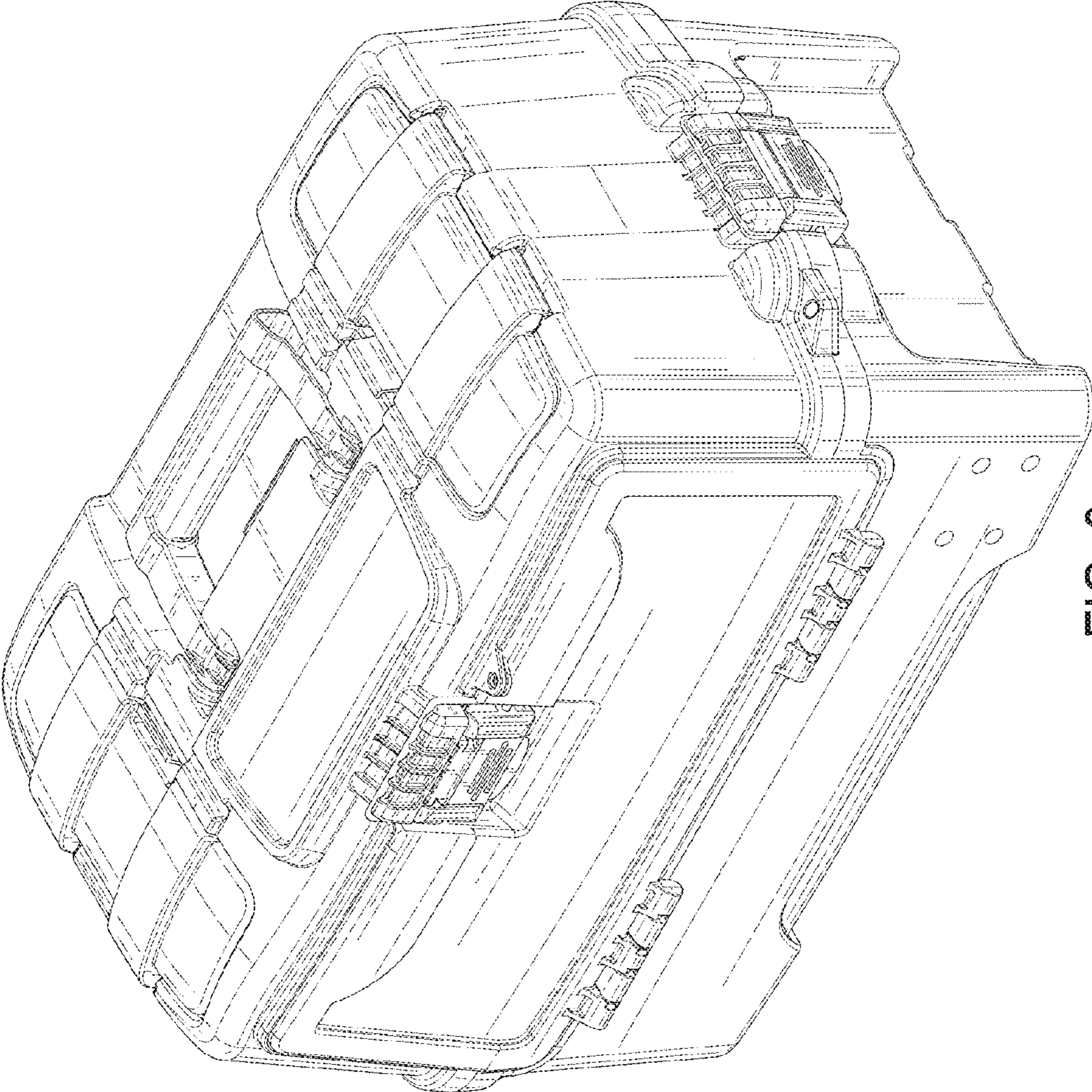


FIG. 8

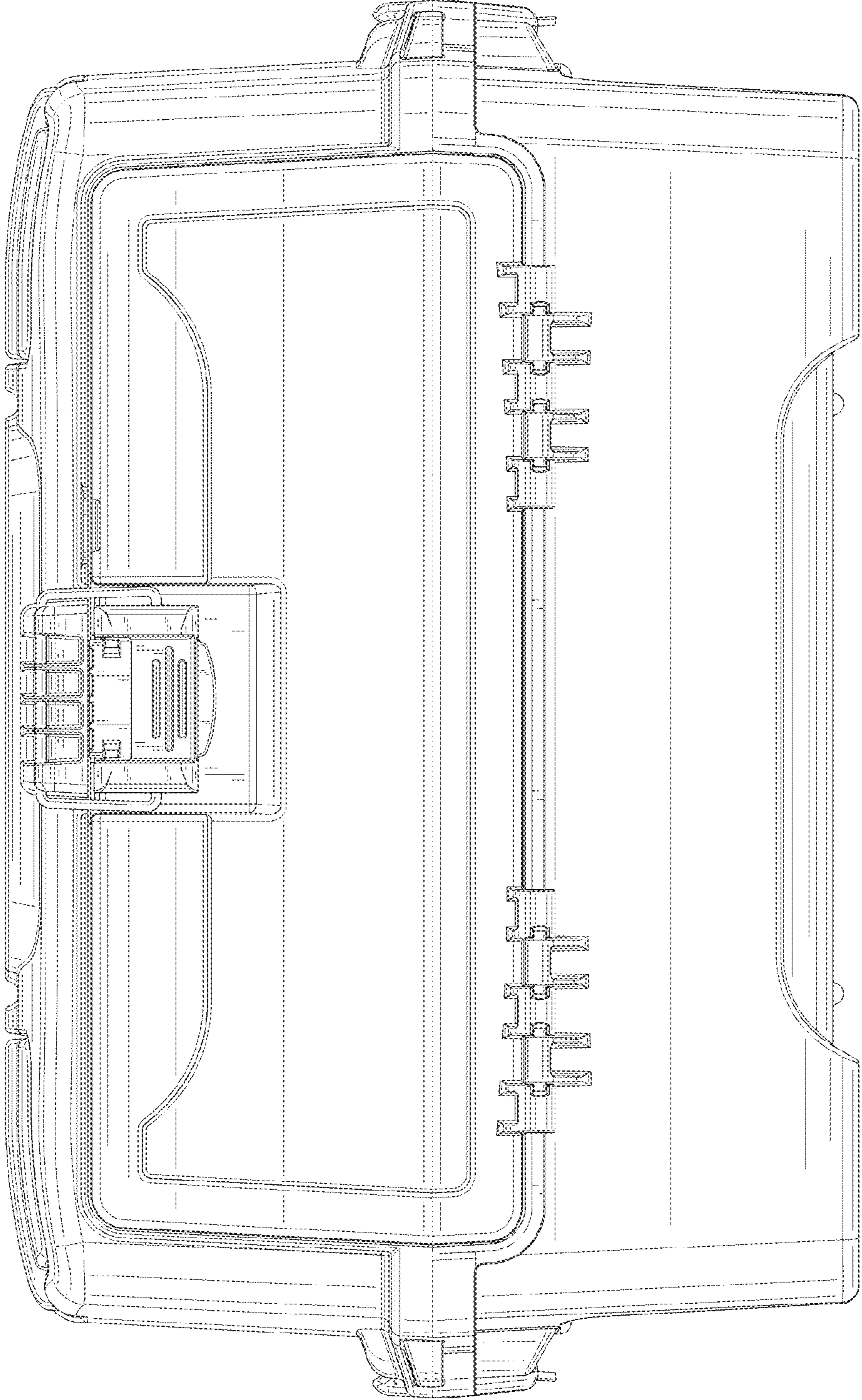


FIG. 9

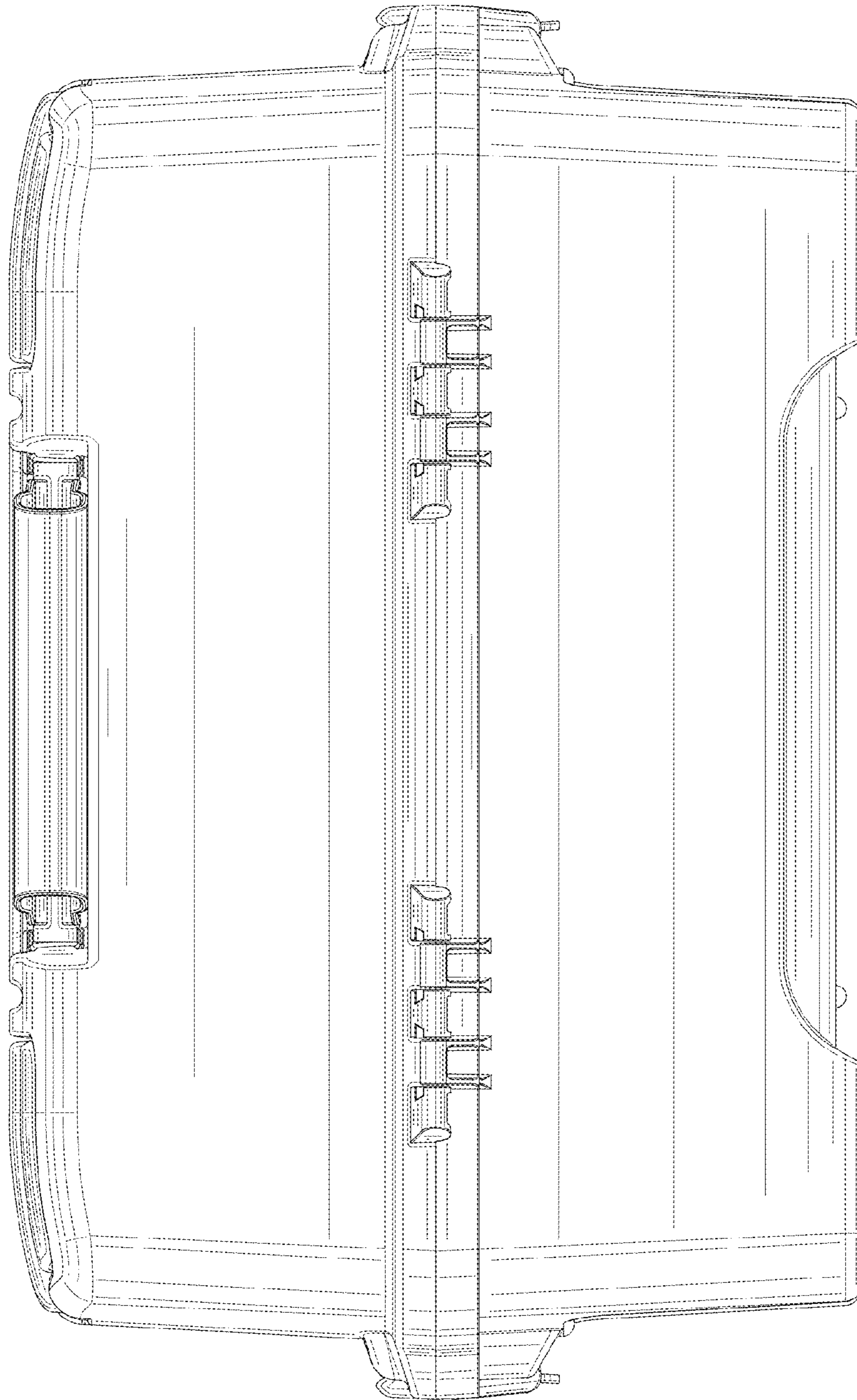


FIG. 10

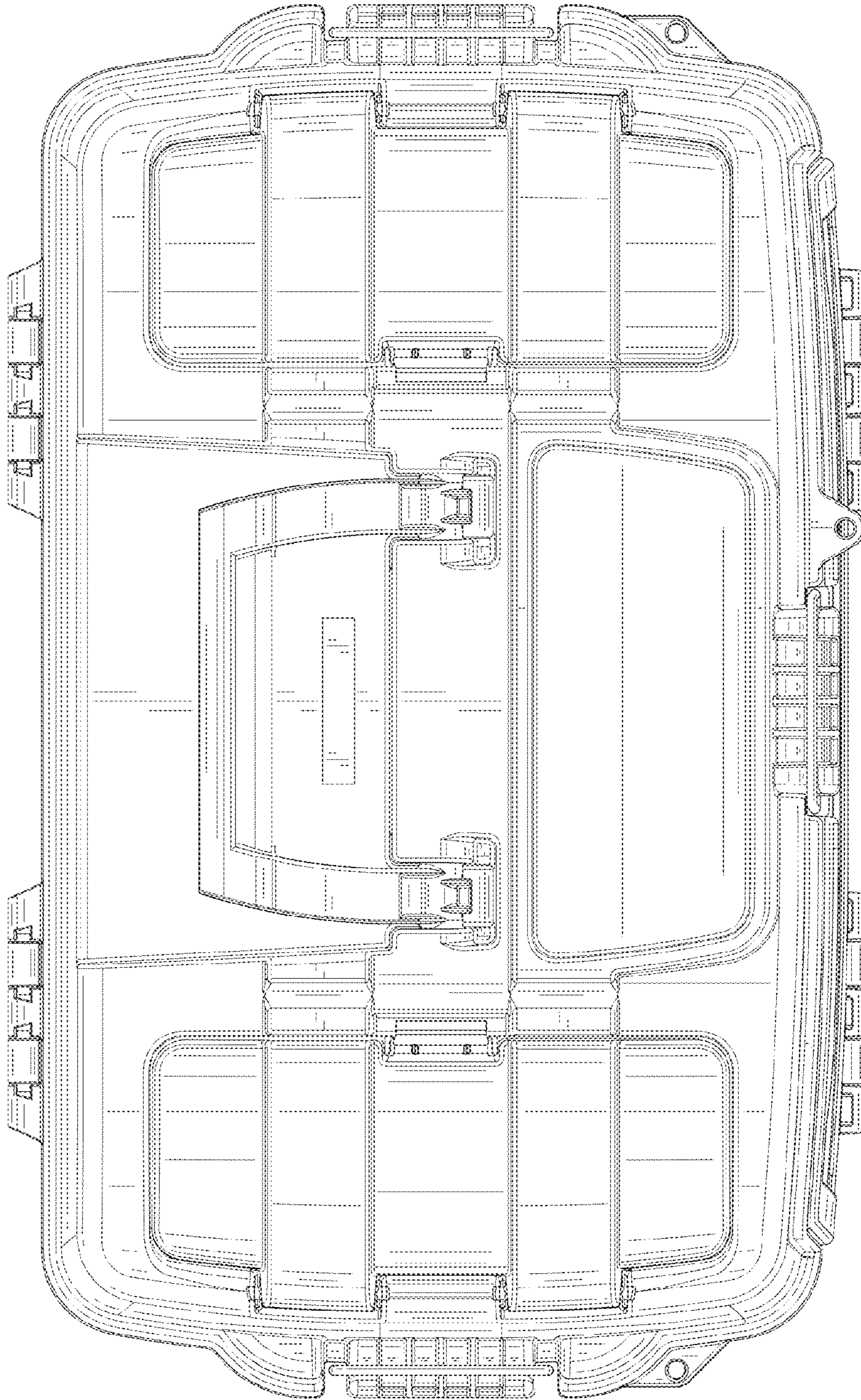


FIG. 11

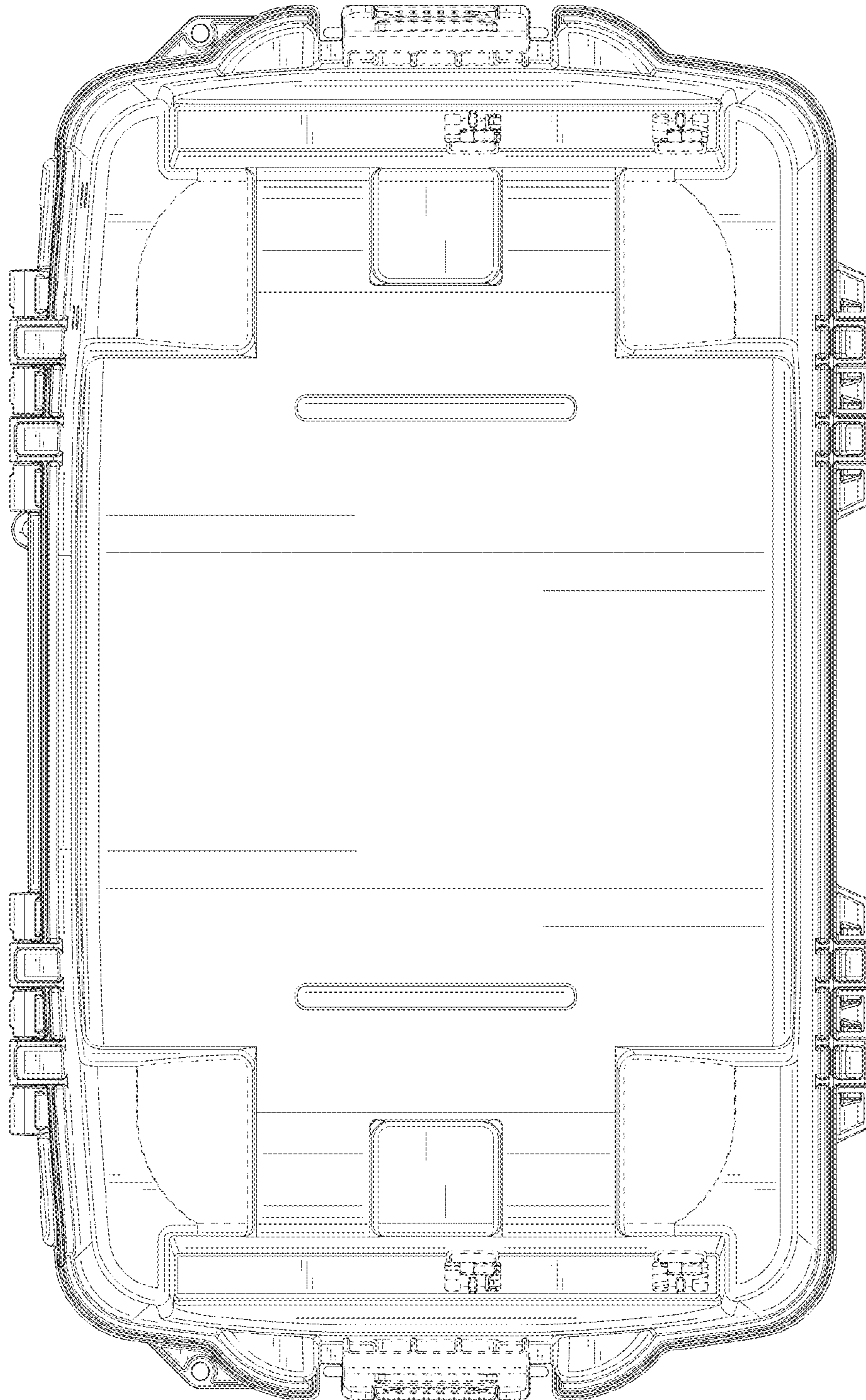


FIG. 12