



US00D754967S

(12) **United States Design Patent**  
**Galloway**

(10) **Patent No.:** **US D754,967 S**

(45) **Date of Patent:** **\*\* May 3, 2016**

(54) **HUNTING BAG**

(71) Applicant: **HARD CORE BRANDS INTERNATIONAL, LLC**, Ottawa, IL (US)

(72) Inventor: **Michael James Galloway**, Chardon, OH (US)

(73) Assignee: **HARD CORE BRANDS INTERNATIONAL LLC**, Ottawa, IL (US)

(\*\*) Term: **14 Years**

(21) Appl. No.: **29/513,707**

(22) Filed: **Jan. 5, 2015**

(51) **LOC (10) Cl.** ..... **03-01**

(52) **U.S. Cl.**  
USPC ..... **D3/262**

(58) **Field of Classification Search**  
USPC ..... D3/254, 262, 267, 268  
CPC ..... A45C 3/06; A45C 13/103; A45C 3/00; A45C 15/00; A45C 13/02; A45C 11/38  
See application file for complete search history.

(56) **References Cited**

**U.S. PATENT DOCUMENTS**

D284,333 S \* 6/1986 Huston ..... D3/268  
4,610,286 A \* 9/1986 Cyr ..... A45C 13/02  
190/110  
D294,083 S \* 2/1988 Collins ..... D3/262  
4,739,809 A \* 4/1988 Adams ..... A45C 3/00  
150/112  
D357,351 S \* 4/1995 Kelsall ..... D3/254

D528,784 S \* 9/2006 Beck ..... D3/221  
7,316,313 B1 \* 1/2008 Juchau ..... B65D 1/3476  
190/109  
D600,443 S \* 9/2009 Hinds ..... D3/262  
8,302,642 B1 \* 11/2012 Lindholm ..... A45C 3/06  
150/100

\* cited by examiner

*Primary Examiner* — Mitchell Siegel

(74) *Attorney, Agent, or Firm* — Rankin, Hill & Clark LLP

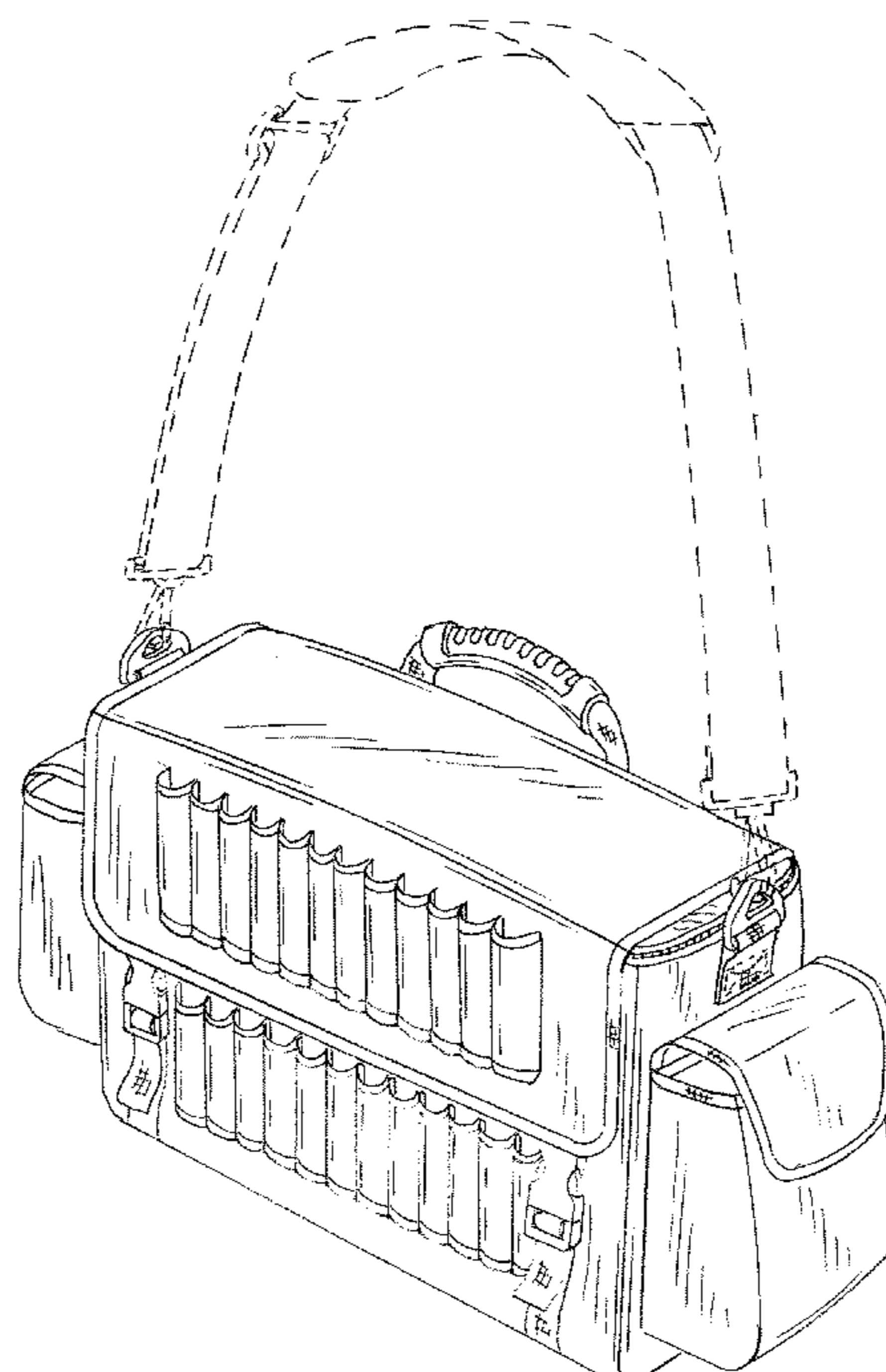
(57) **CLAIM**

The ornamental design for a hunting bag, as shown and described.

**DESCRIPTION**

FIG. 1 is a front perspective view of a hunting bag in accordance with the present invention;  
FIG. 2 is a rear perspective view of the hunting bag shown in FIG. 1;  
FIG. 3 is a front elevational view of the hunting bag shown in FIG. 1  
FIG. 4 is a top view of the hunting bag shown in FIG. 1;  
FIG. 5 is a left side elevational view of the hunting bag shown in FIG. 1;  
FIG. 6 is a right side elevational view of the hunting bag shown in FIG. 1;  
FIG. 7 is a rear elevational view of the hunting bag shown in FIG. 1;  
FIG. 8 is a bottom view of the hunting bag shown in FIG. 1;  
FIG. 9 is a rear perspective view of the hunting bag shown in FIG. 1 including a tree strap in a hooked condition; and,  
FIG. 10 is a rear elevational view of the hunting bag shown in FIG. 9 with the tree strap unhooked.  
No claim is made to the broken line areas shown in the figures.

**1 Claim, 10 Drawing Sheets**



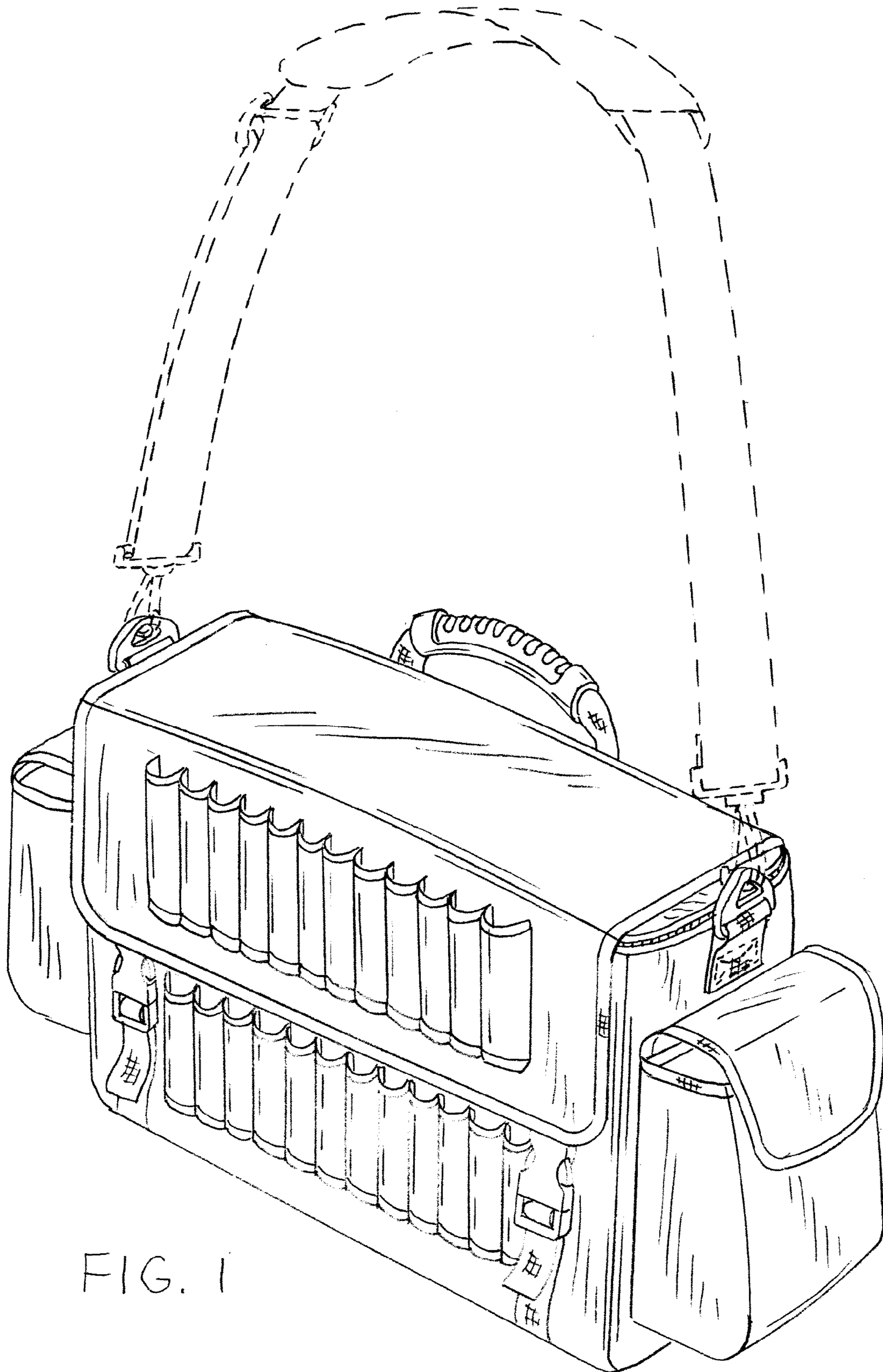


FIG. 1

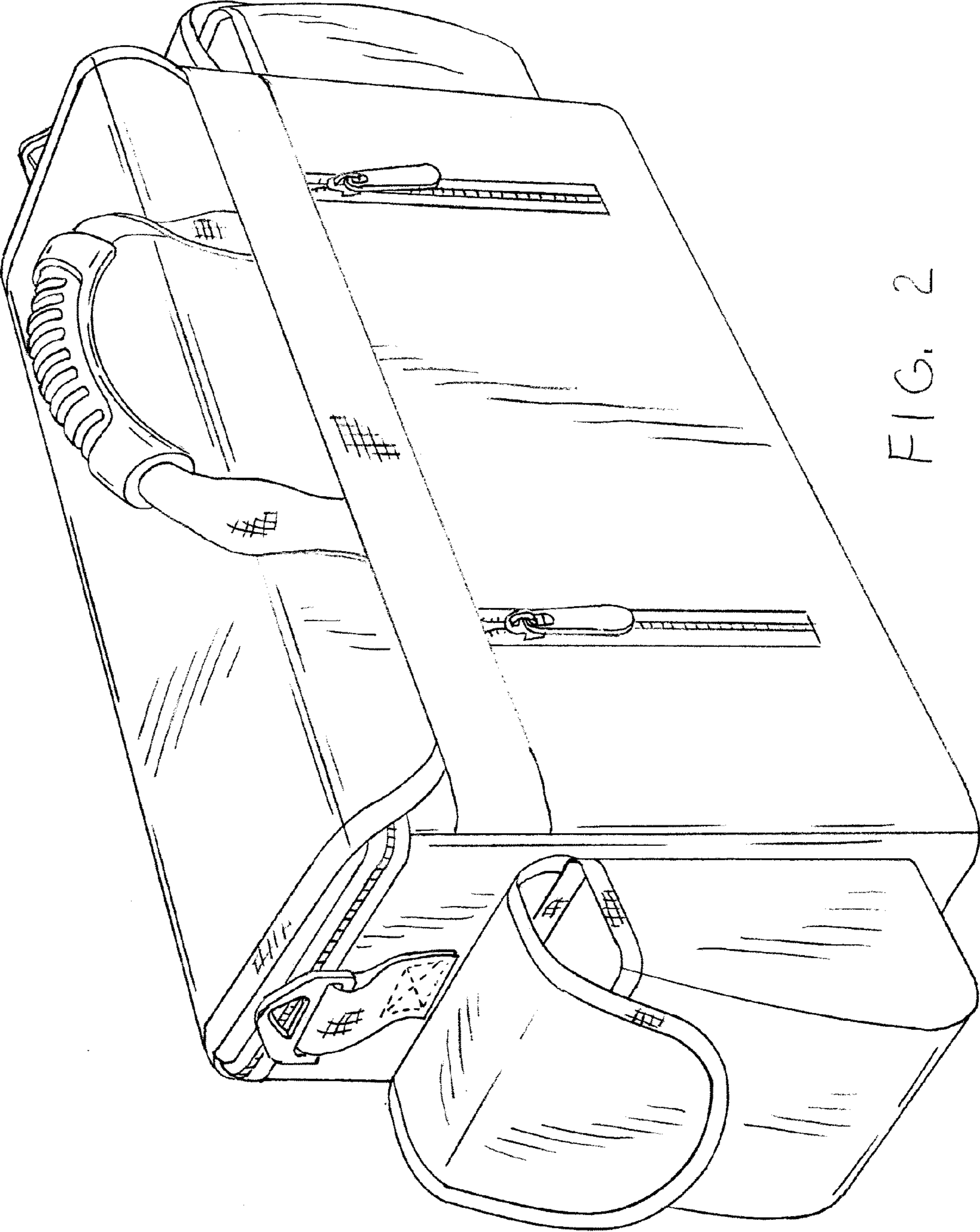


FIG. 2

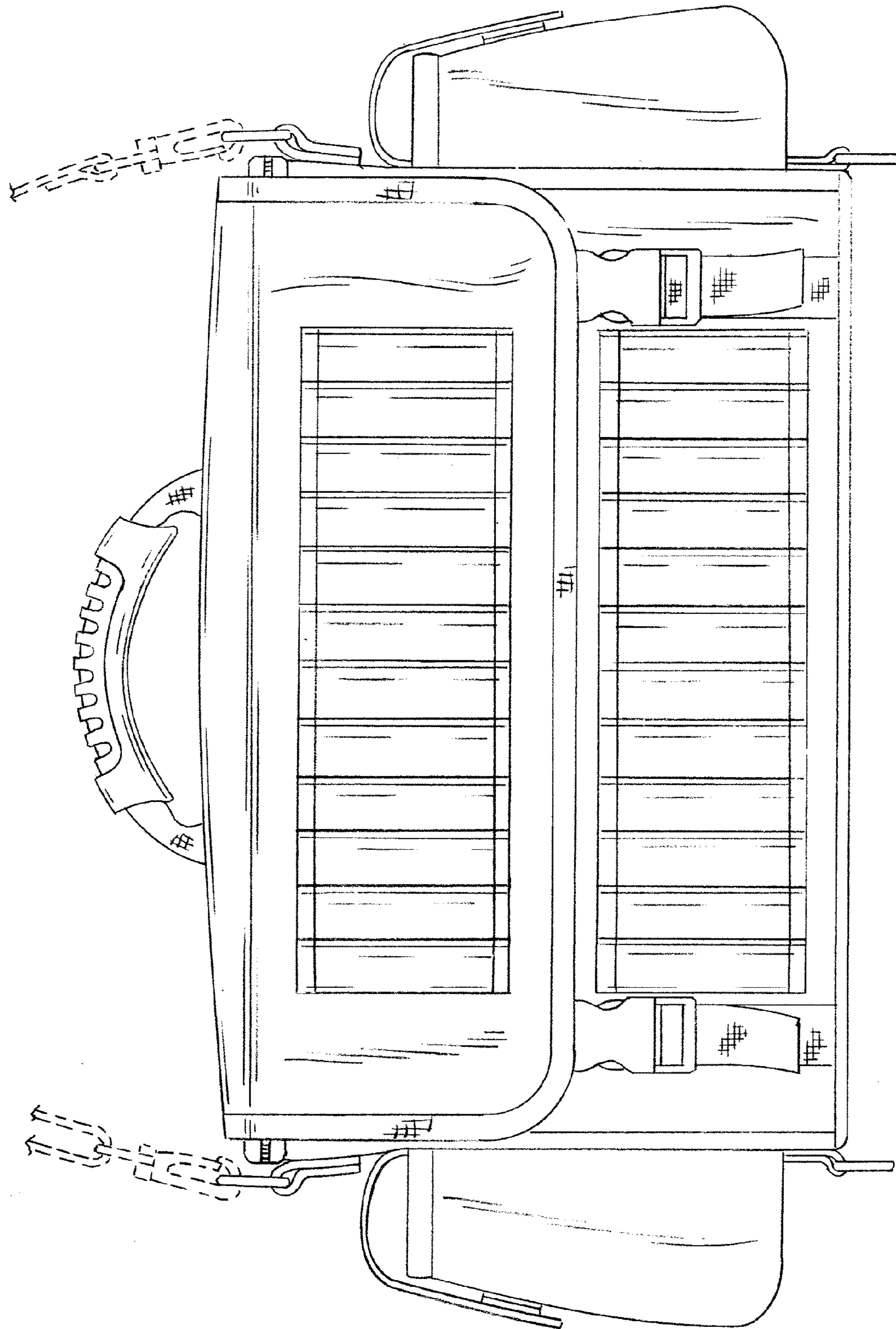


FIG. 3

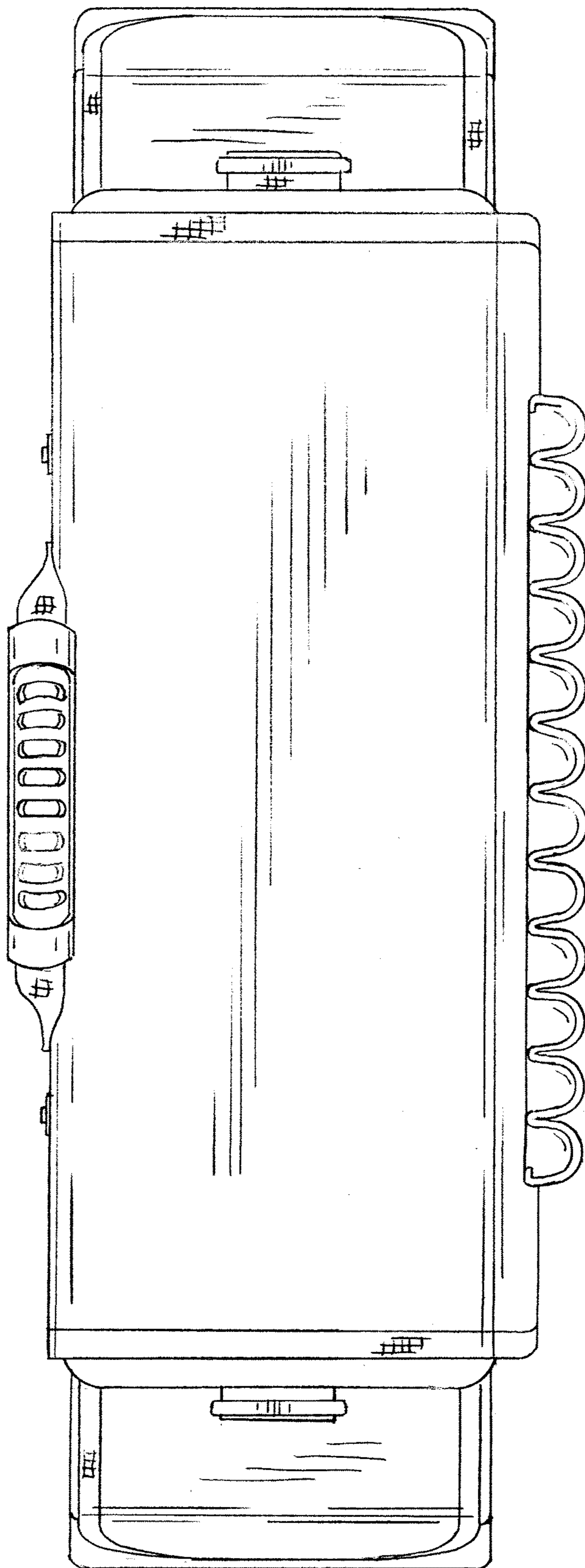


FIG. 4

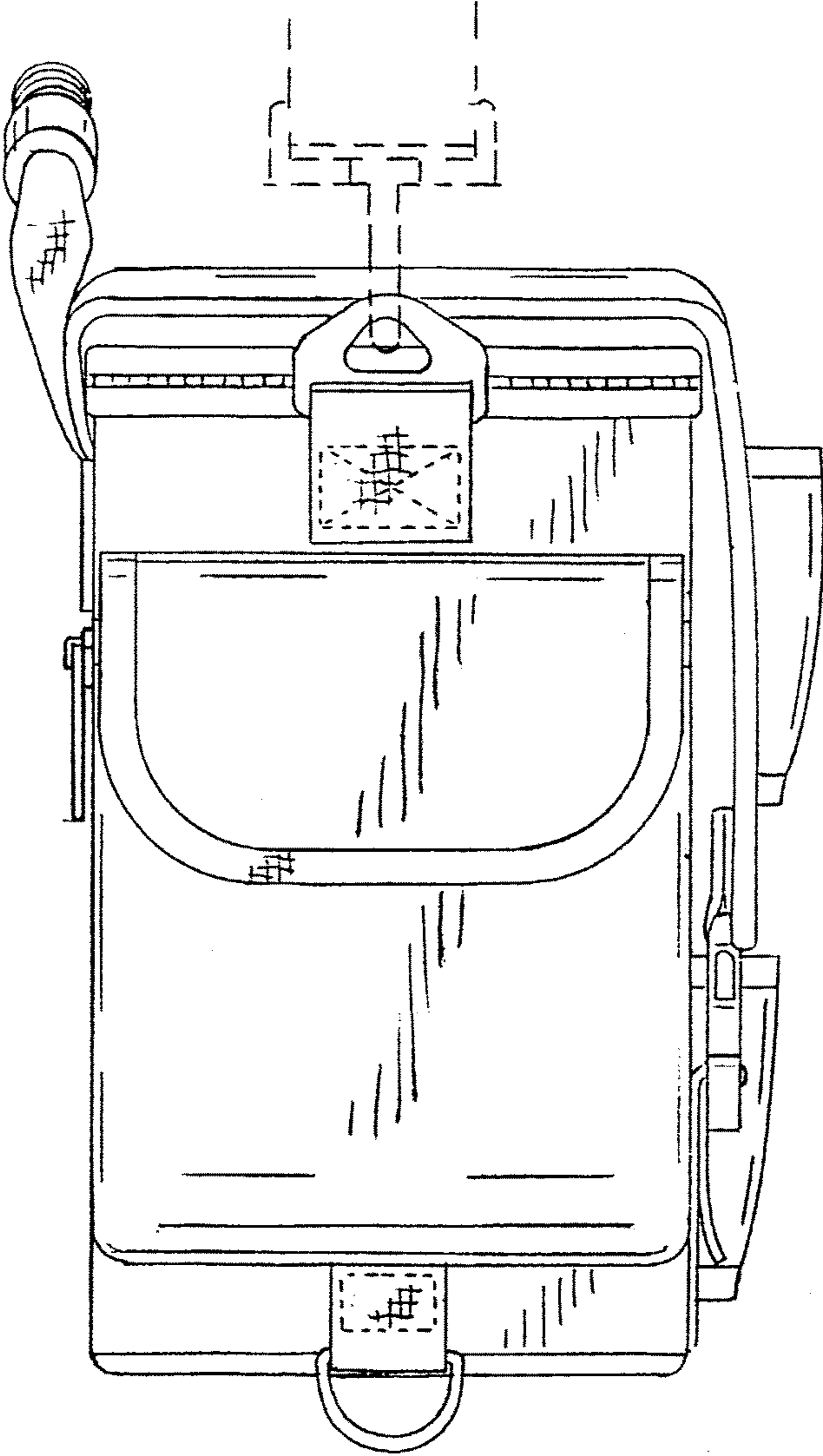


FIG. 5

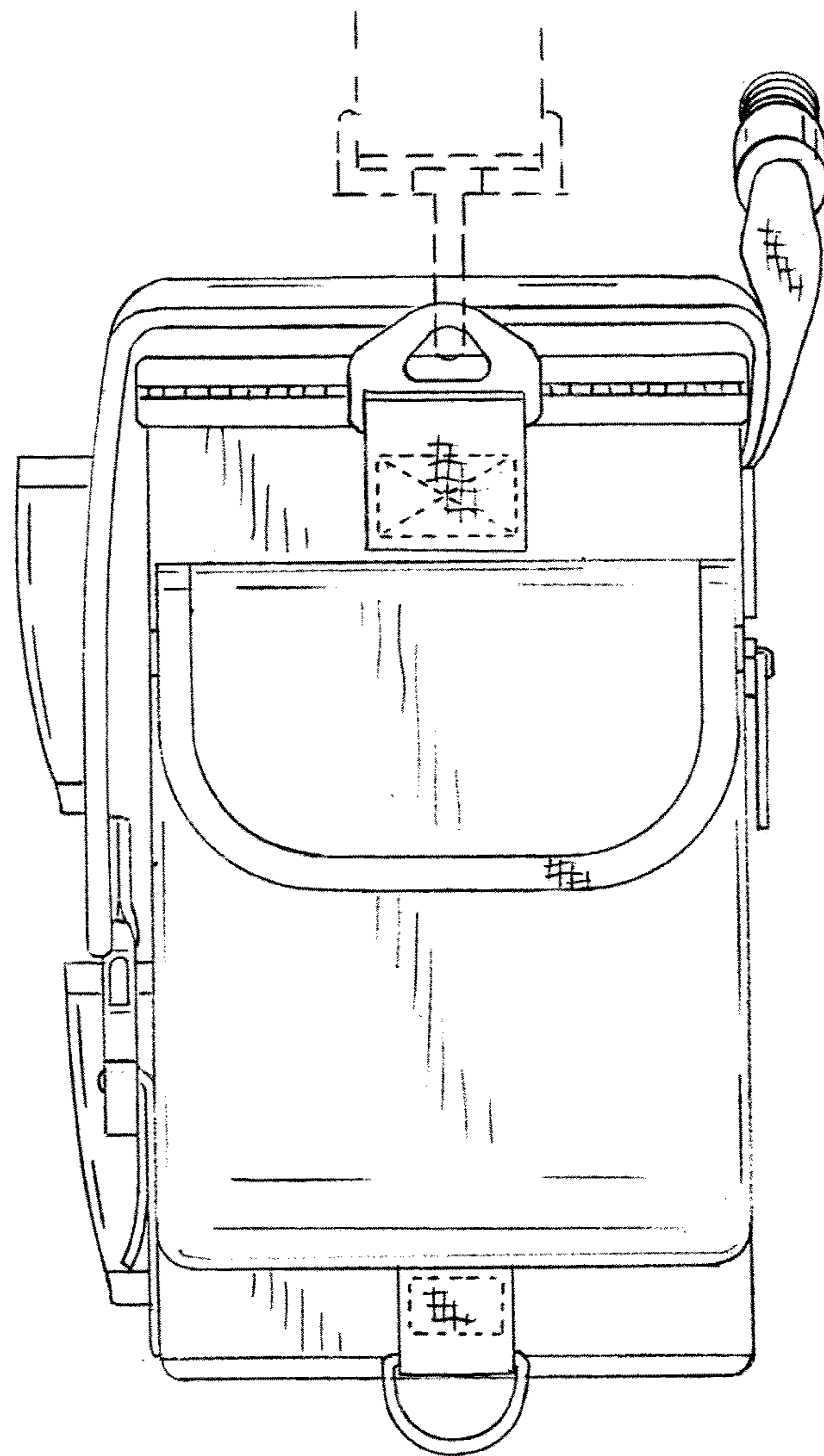


FIG. 6

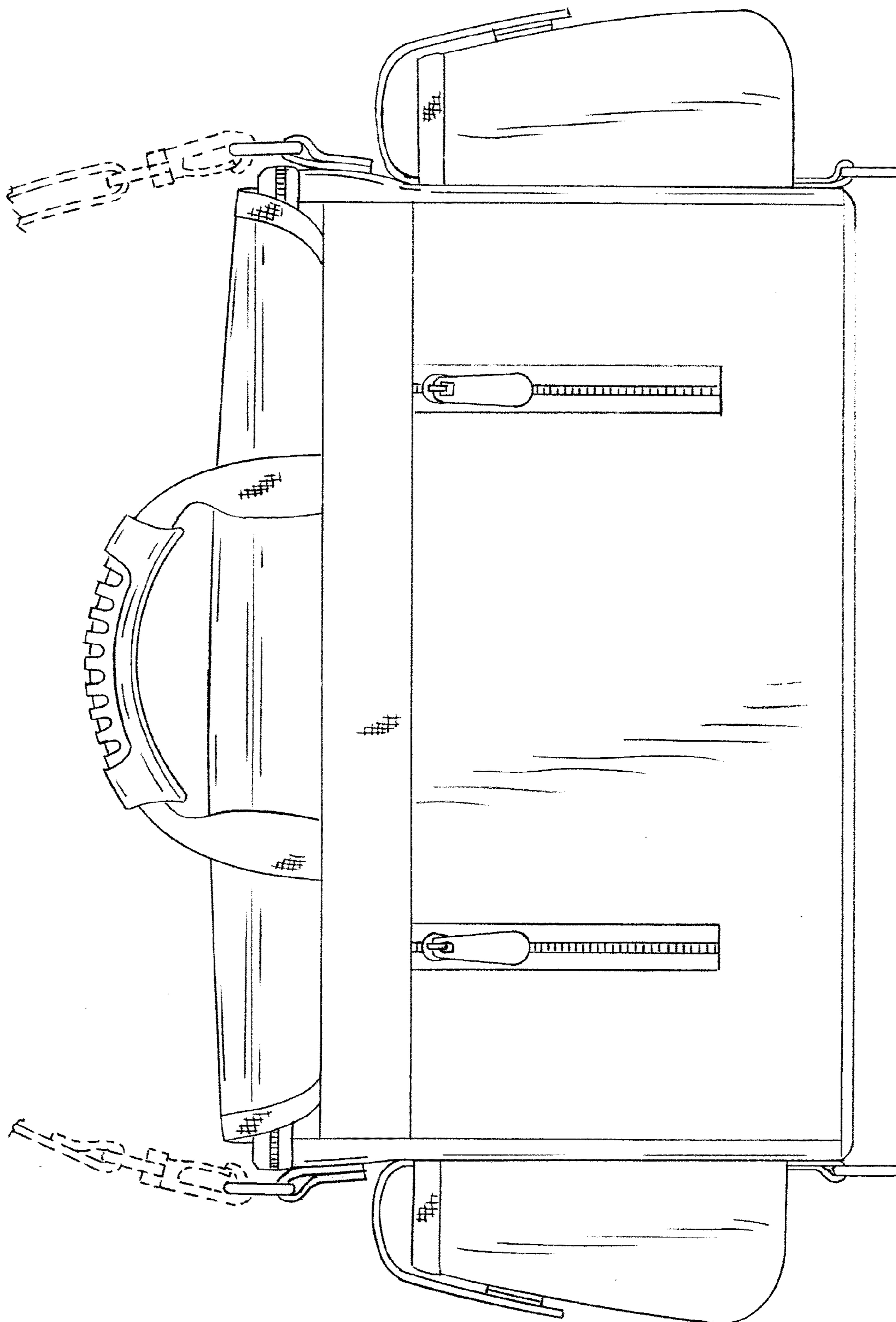


FIG. 7



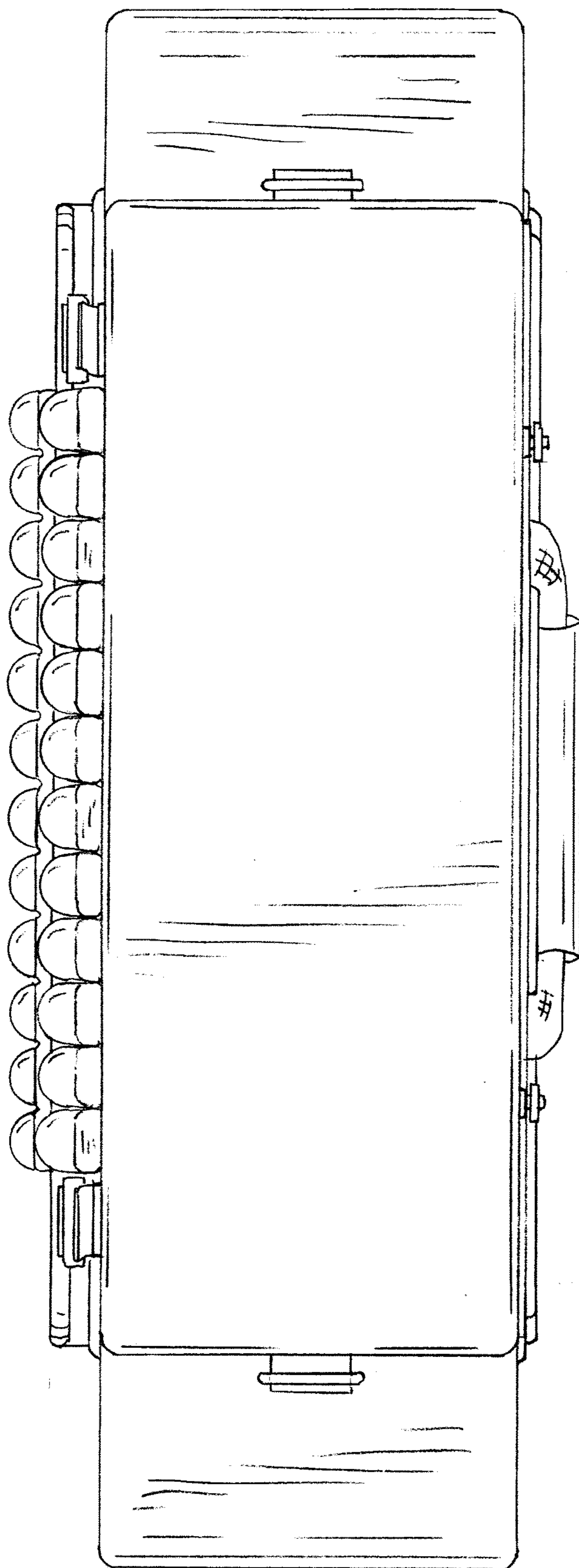


FIG. 8

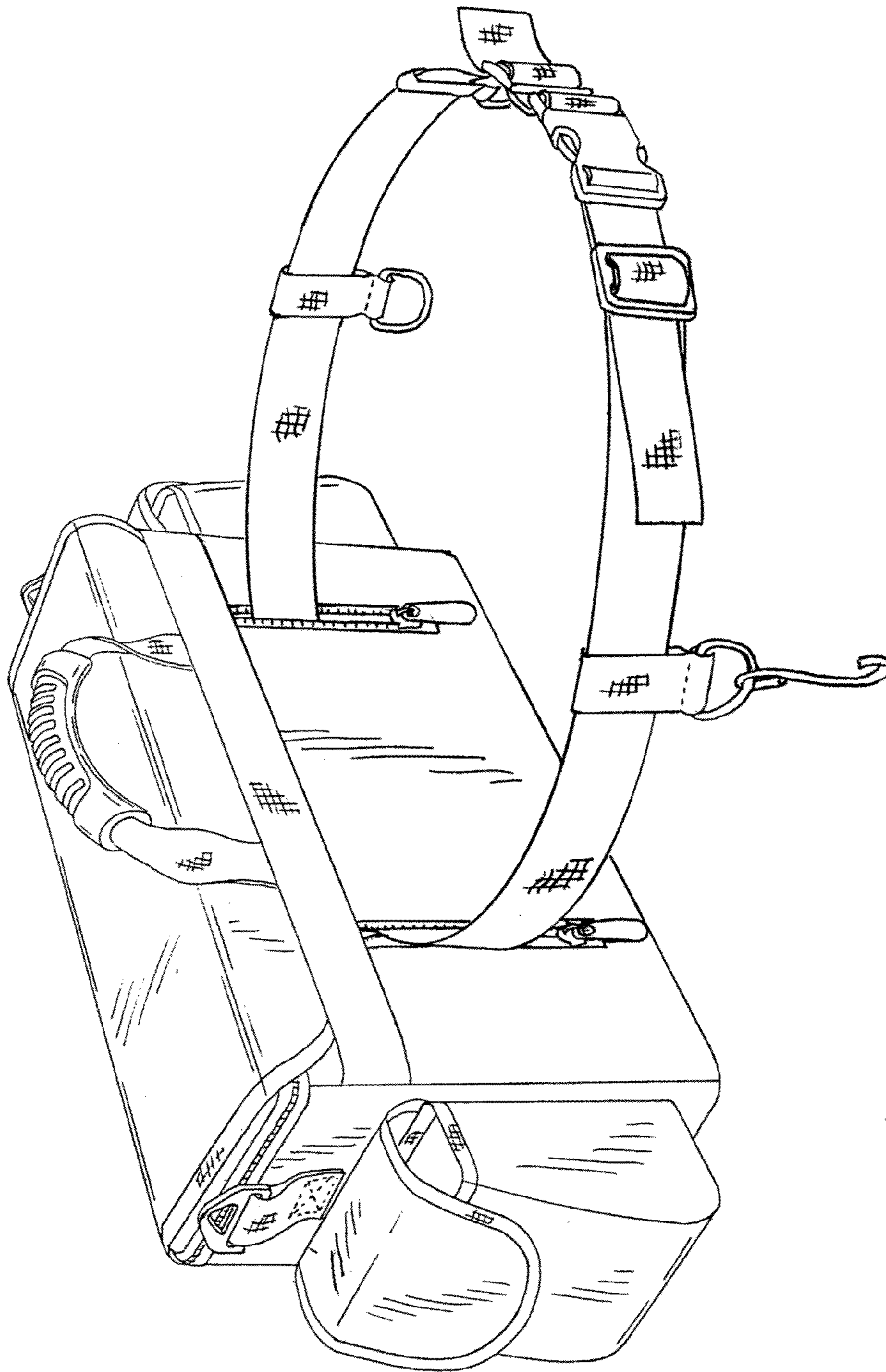


FIG. 9

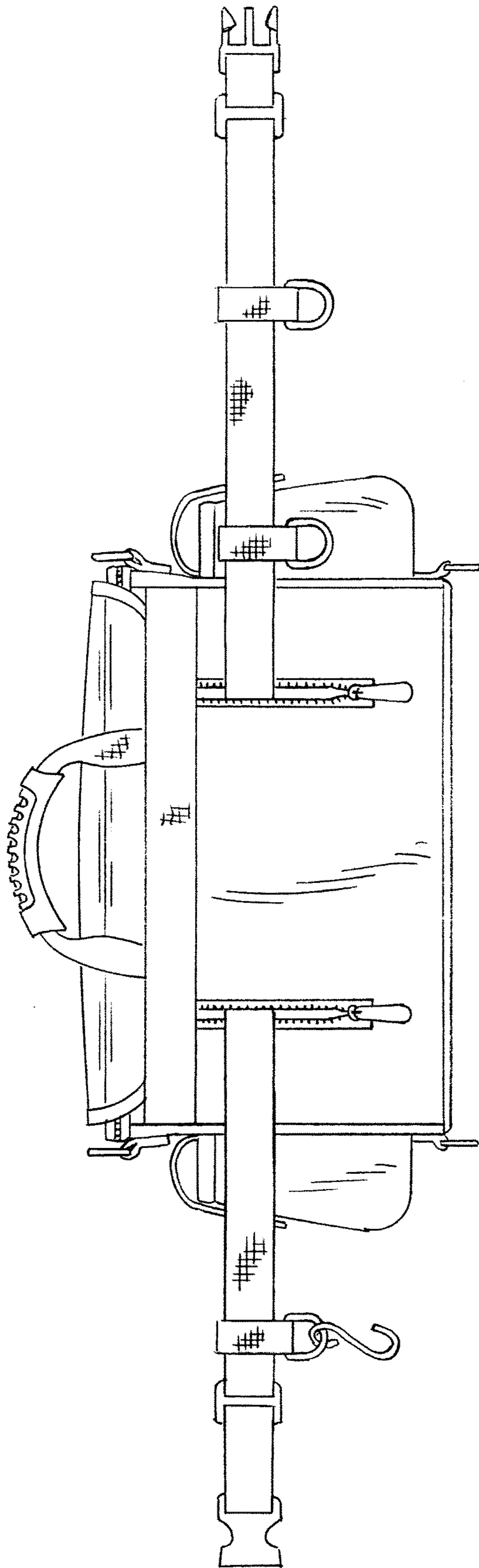


FIG. 10