

US00D754966S

(12) **United States Design Patent**
Chevalier

(10) **Patent No.:** **US D754,966 S**

(45) **Date of Patent:** **** *May 3, 2016**

(54) **FISHING ROD CLIP**

D539,528 S * 4/2007 Hastings D3/215
D555,447 S * 11/2007 Bhavnani D8/34
D697,304 S * 1/2014 Westfall D3/215
D707,957 S * 7/2014 Oas D3/215

(71) Applicant: **John Chevalier**, Neversink, NY (US)

(72) Inventor: **John Chevalier**, Neversink, NY (US)

* cited by examiner

(73) Assignee: **ROD PAL INC.**, Monticello, NY (US)

Primary Examiner — Catheri Oliver-Garcia

(*) Notice: This patent is subject to a terminal disclaimer.

(74) *Attorney, Agent, or Firm* — Sanford Jay Asman

(**) Term: **14 Years**

(57) **CLAIM**

The ornamental design for a fishing rod clip, as shown and described.

(21) Appl. No.: **29/489,206**

DESCRIPTION

(22) Filed: **Apr. 28, 2014**

(51) **LOC (10) Cl.** **03-01**

(52) **U.S. Cl.**
USPC **D3/221**

(58) **Field of Classification Search**
USPC D3/221, 207–212, 215; D6/552;
D27/161; 401/131; 224/162, 197, 251,
224/677, 922; 431/253, 343; D8/34, 358;
24/3.11, 3.12, 3.13; 43/21.2; D22/134,
D22/147

FIG. 1 is a front view of my design for a fishing rod clip with broken lines indicating environment;
FIG. 2 is a front elevation of the clip in the open position shown in FIG. 1;
FIG. 3 is a side elevation of the clip shown in FIG. 2;
FIG. 4 is the opposite side elevation shown in FIG. 3;
FIG. 5 is a rear elevation of the fishing rod clip shown in FIG. 2;
FIG. 6 is a front elevation of the fishing rod clip in the closed position;
FIG. 7 is a left side elevation of the fishing rod clip shown in FIG. 6;
FIG. 8 is a rear elevation of the fishing rod clip shown in FIG. 6; and,
FIG. 9 is a right side elevation of the fishing rod clip shown in FIG. 7.

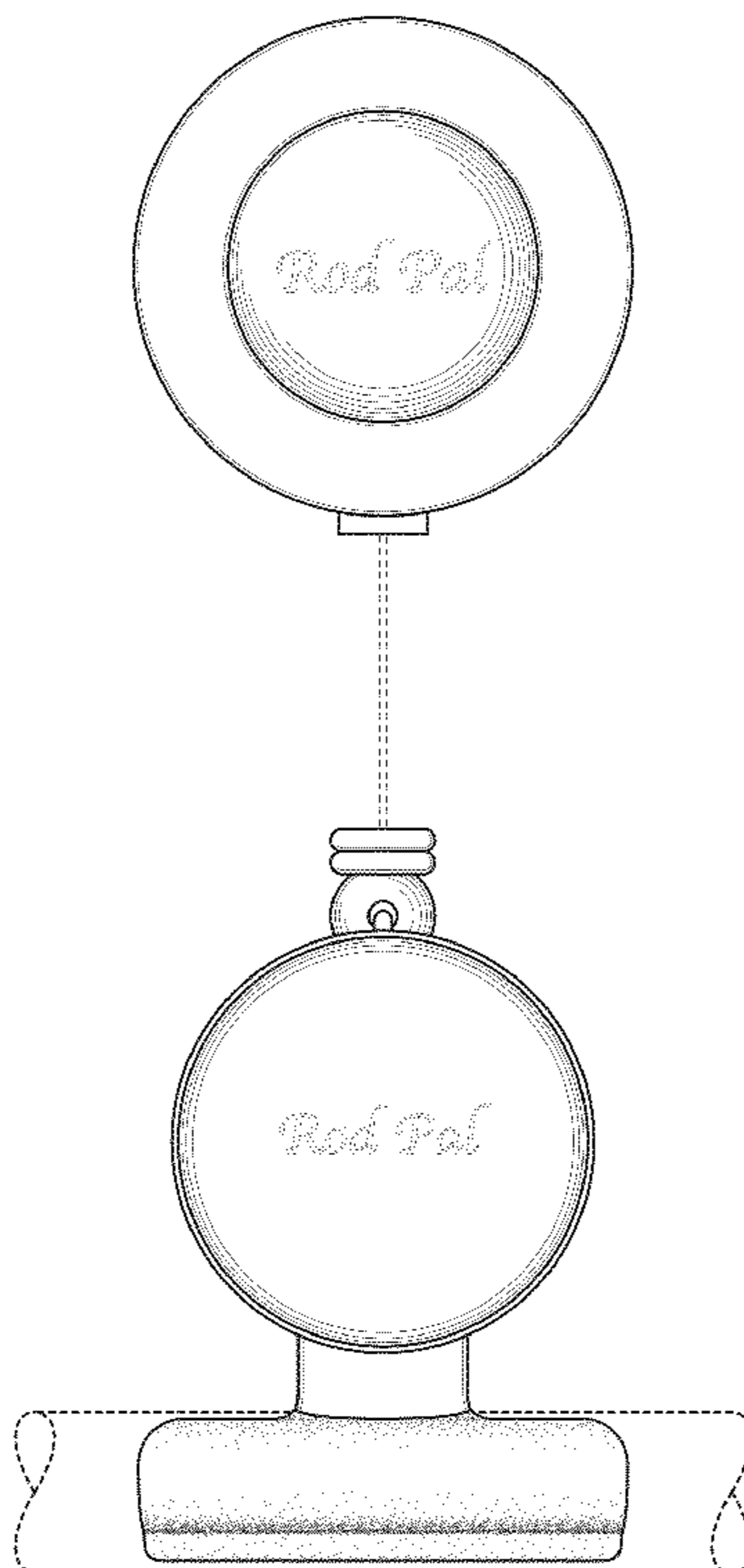
See application file for complete search history.

(56) **References Cited**

U.S. PATENT DOCUMENTS

6,641,390 B2 * 11/2003 Genuise 431/253
D516,241 S * 2/2006 Gaines et al. D27/161
7,195,413 B2 * 3/2007 Kremizis 401/131

1 Claim, 5 Drawing Sheets



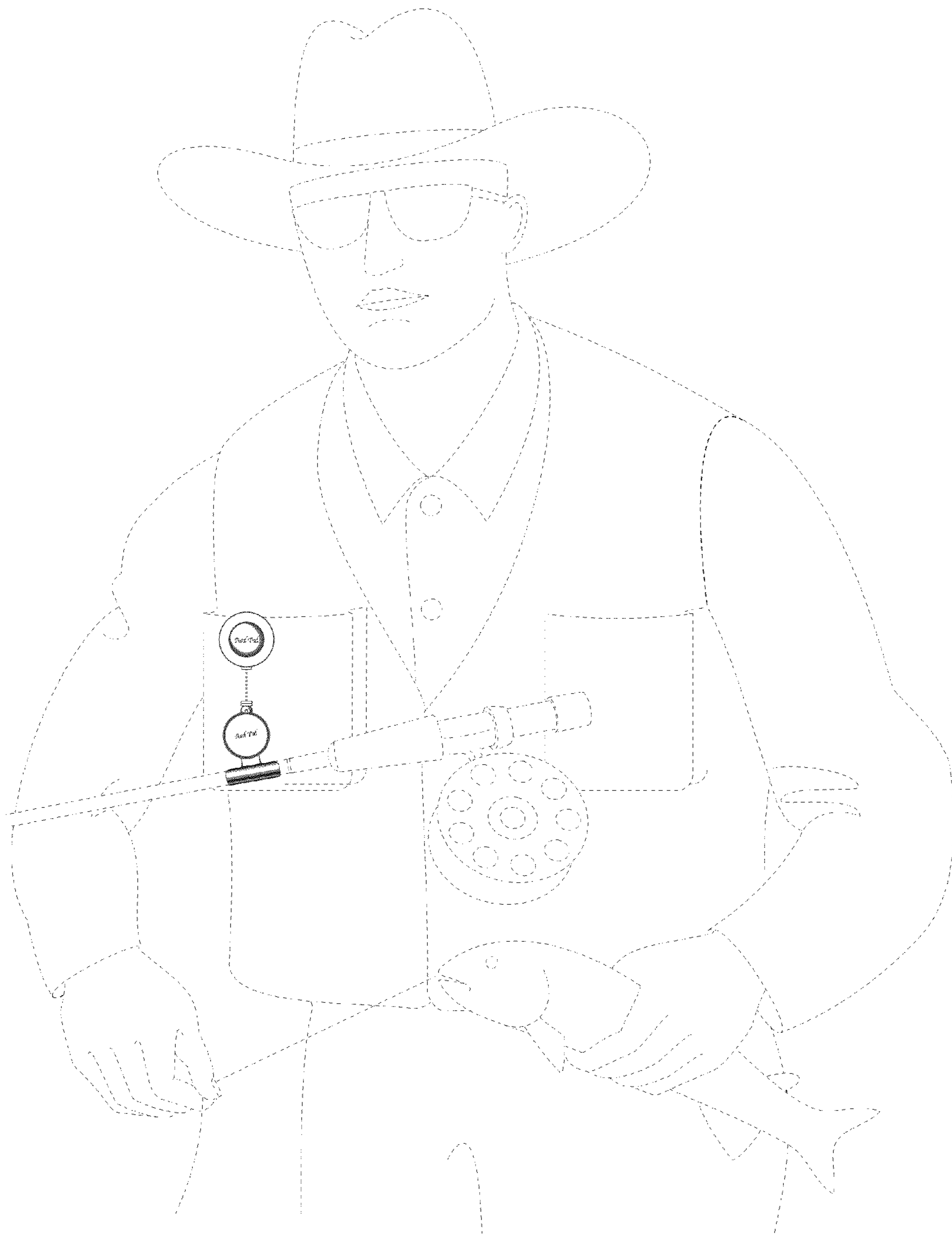


FIG. 1

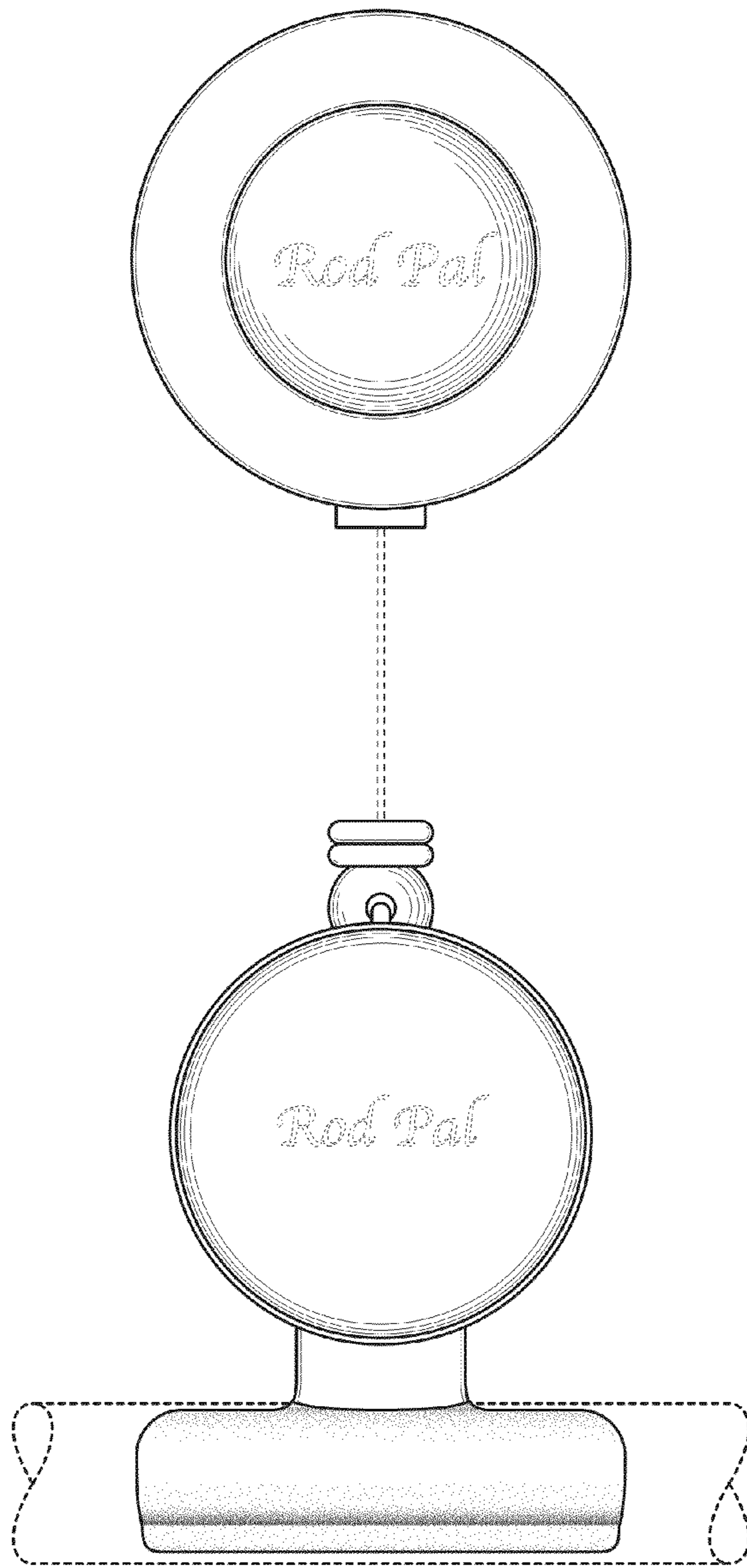


FIG. 2

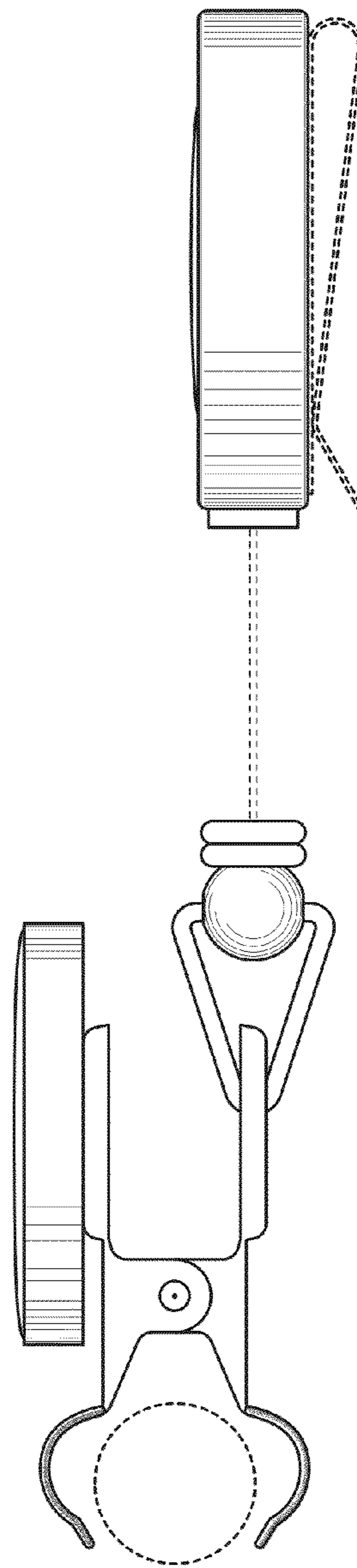


FIG. 3

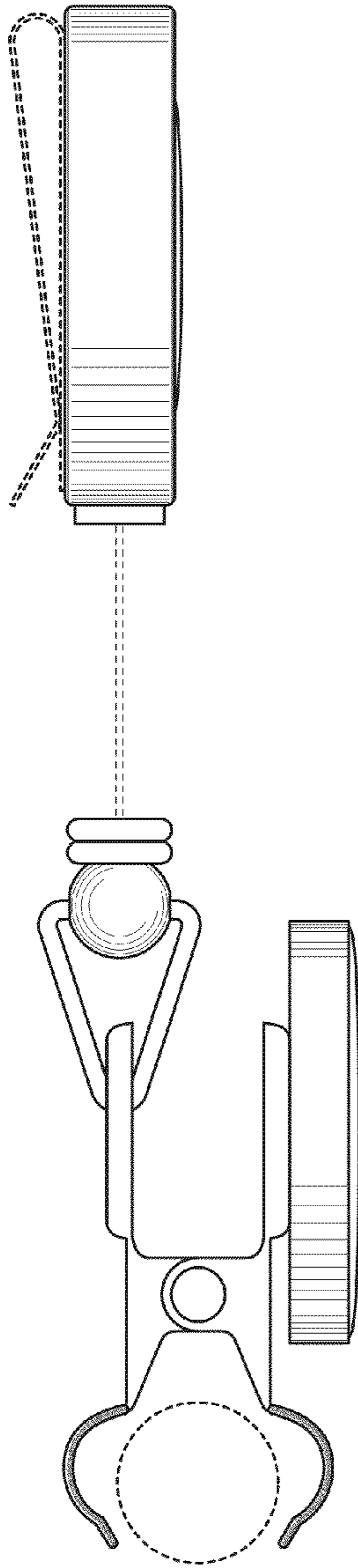


FIG. 4

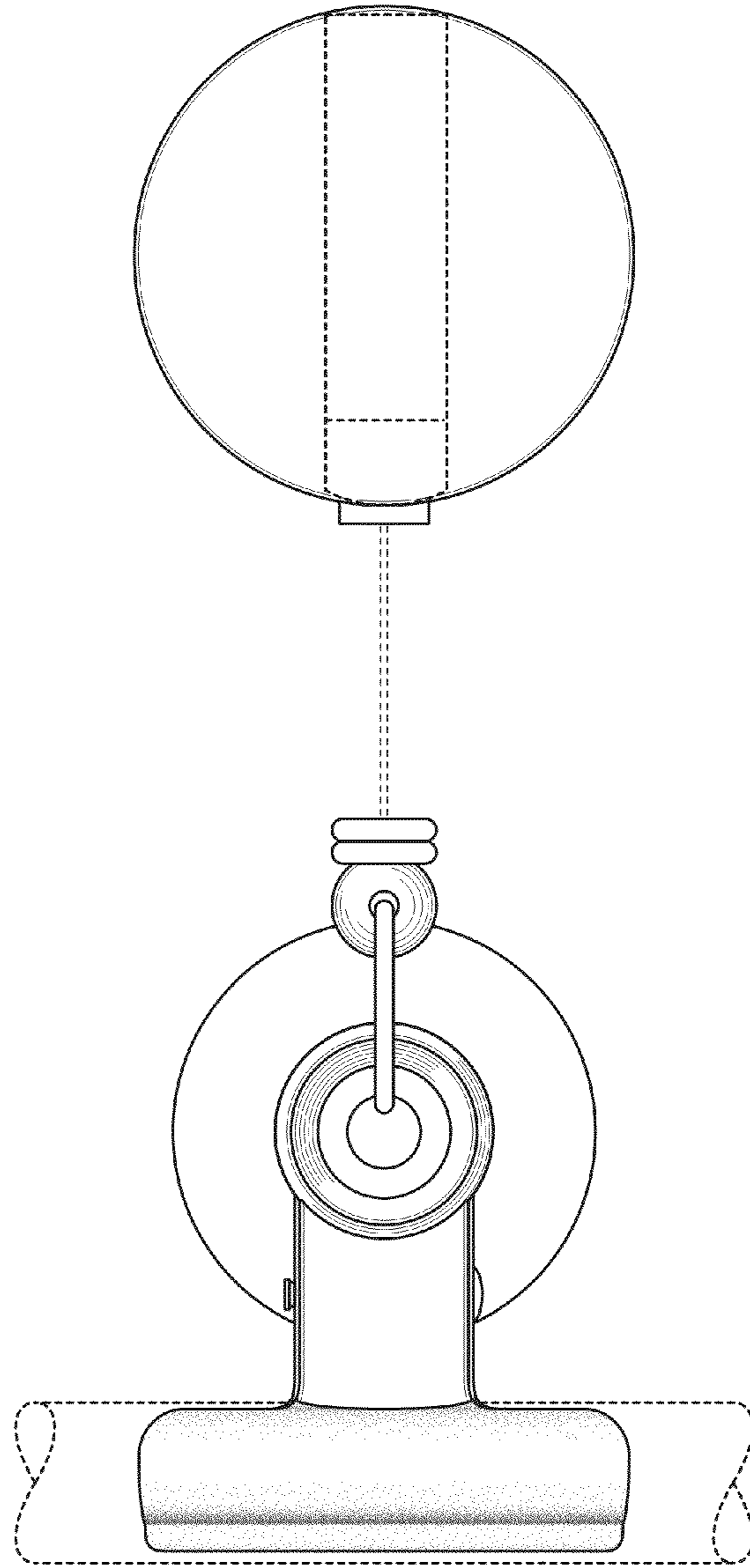


FIG. 5

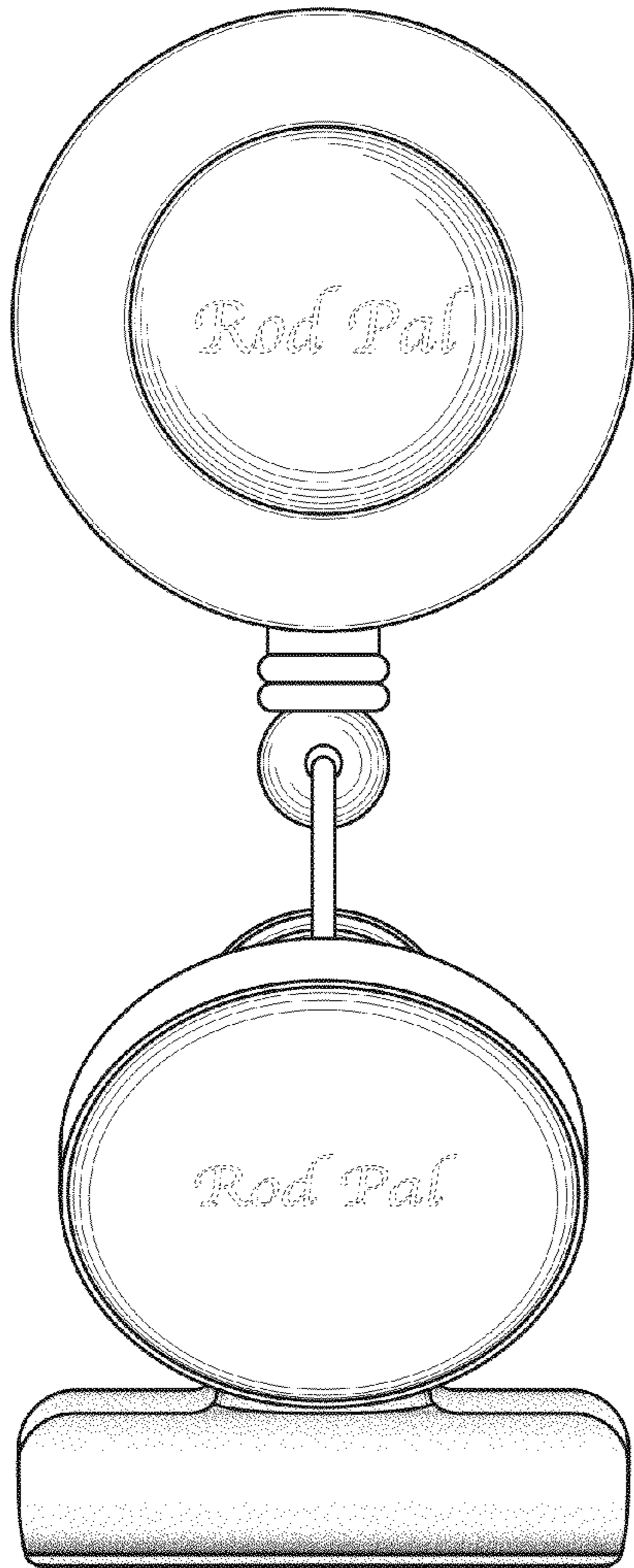


FIG. 6

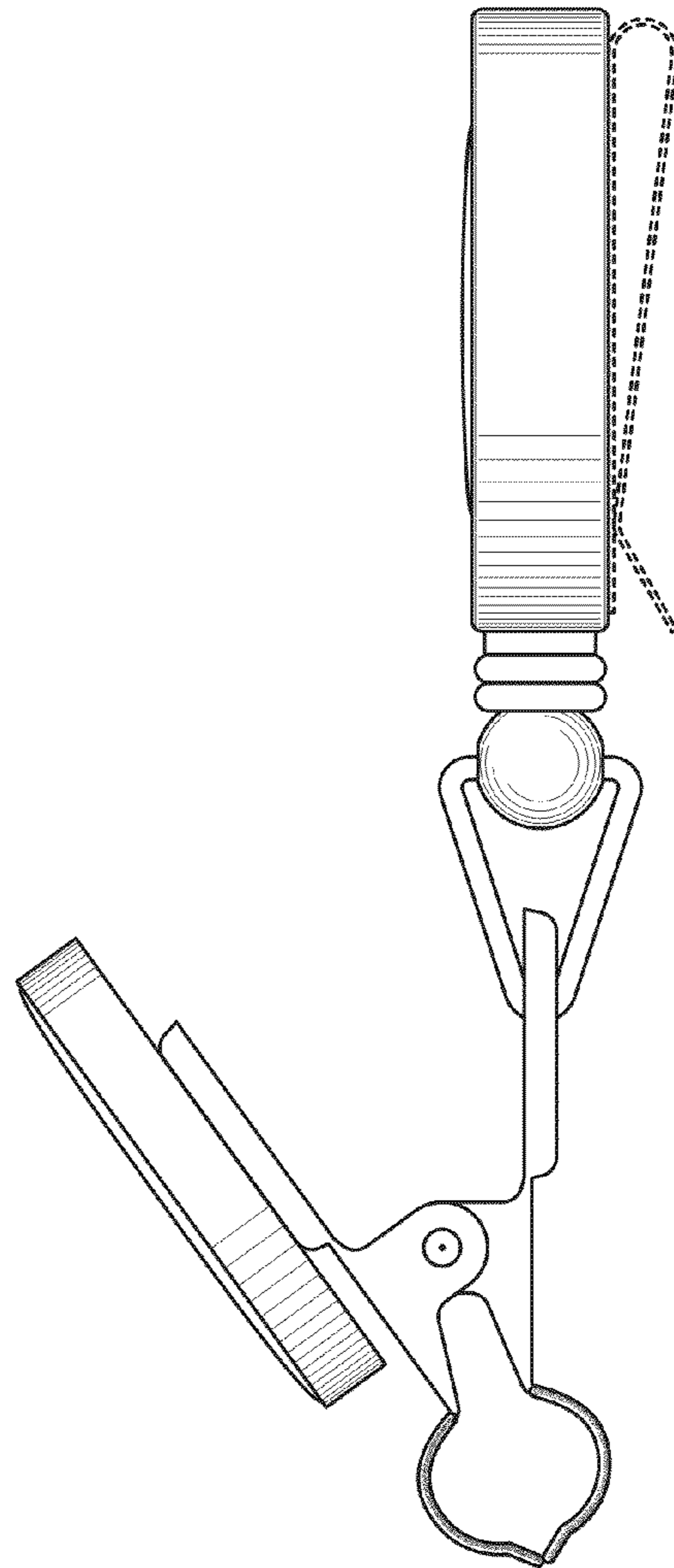


FIG. 7

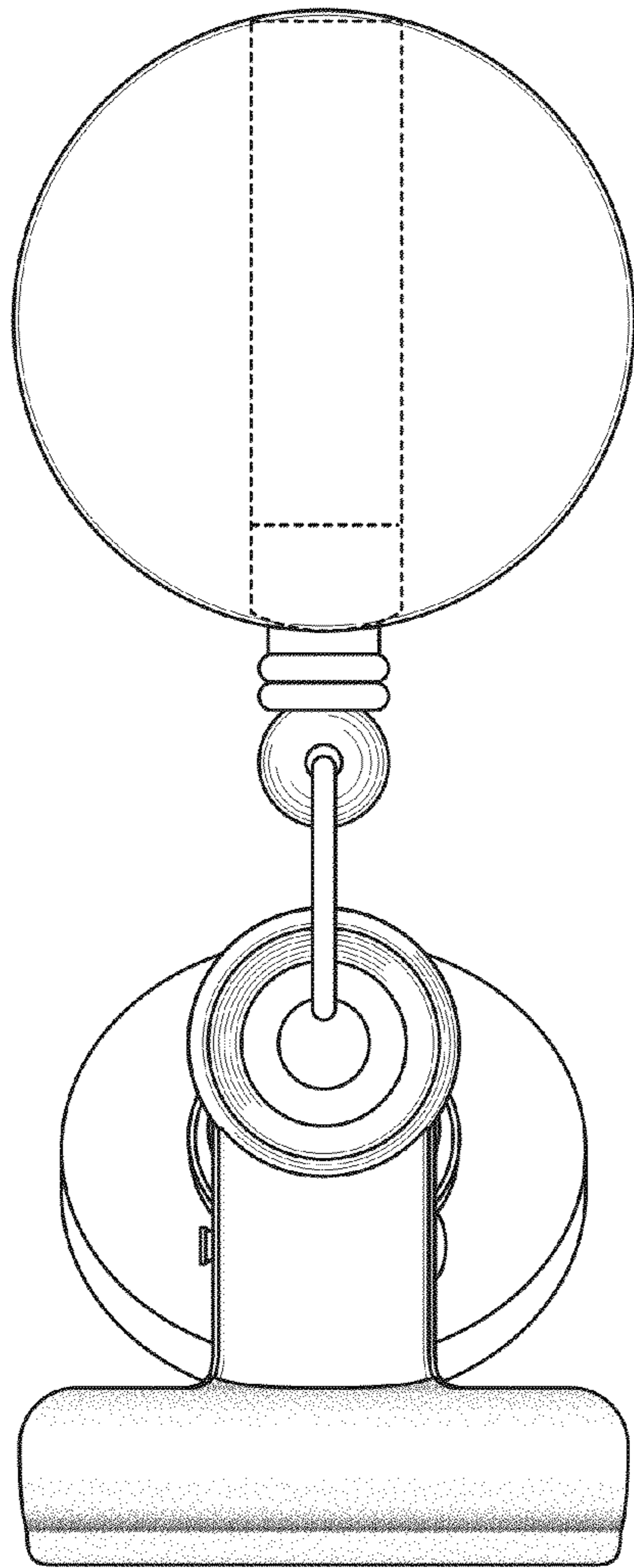


FIG. 8

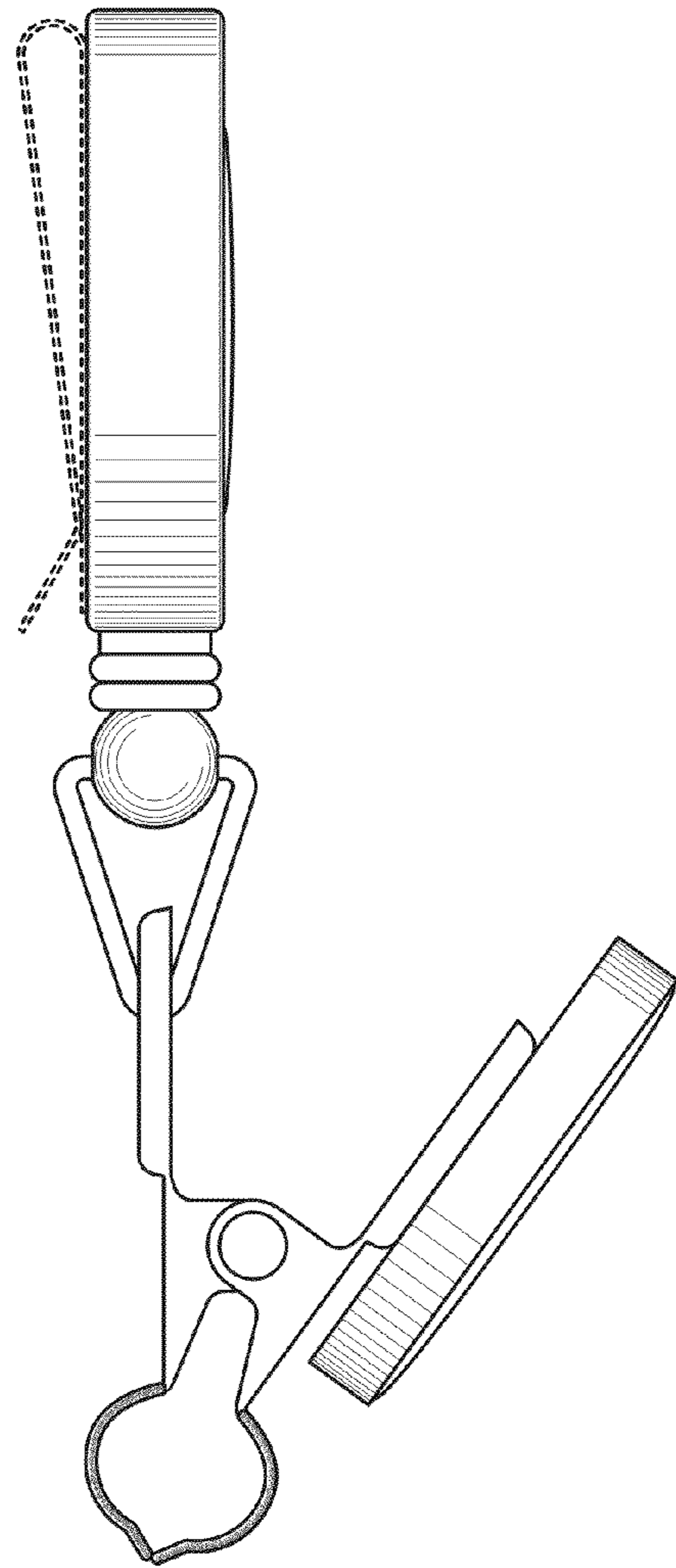


FIG. 9