



US00D754962S

(12) **United States Design Patent**
Pennington

(10) **Patent No.:** **US D754,962 S**

(45) **Date of Patent:** **** May 3, 2016**

(54) **HIKING STAFF**

(71) Applicant: **Billy Pennington**, Little Rock, AR (US)

(72) Inventor: **Billy Pennington**, Little Rock, AR (US)

(**) Term: **14 Years**

(21) Appl. No.: **29/483,537**

(22) Filed: **Feb. 28, 2014**

(51) **LOC (10) Cl.** **03-03**

(52) **U.S. Cl.**
USPC **D3/7; D3/13**

(58) **Field of Classification Search**
USPC D3/3-17; D12/130, 133; 135/65-73,
135/76-85; D21/775; 280/819, 821
CPC ... A61H 3/00; A61H 3/02; A61H 2003/0211;
A45B 1/00; A63C 11/22; A63C 11/222
See application file for complete search history.

(56) **References Cited**

U.S. PATENT DOCUMENTS

7,025,072	B2 *	4/2006	McGrath	135/75
7,950,632	B2 *	5/2011	Roiser	267/129
8,123,252	B2 *	2/2012	Lenhart	280/821
8,579,329	B2 *	11/2013	Lenhart	280/822
8,677,639	B2 *	3/2014	Neubauer et al.	33/334
8,746,264	B2 *	6/2014	Gorey et al.	135/66
8,869,812	B2 *	10/2014	Basham	135/82
9,027,206	B2 *	5/2015	Guyoton	16/430
2002/0170587	A1 *	11/2002	Uemura	135/65

* cited by examiner

Primary Examiner — John Windmuller

(57) **CLAIM**

I claim the ornamental design for a hiking staff, as shown and described.

DESCRIPTION

FIG. 1 is a perspective view of a hiking staff showing my new design with its handle-end cap attached.

FIG. 2 is a closer view of the staff depicted in FIG. 1.

FIG. 3 is a right side elevation view of the staff depicted in FIG. 2.

FIG. 4 is a left side elevation view of the staff depicted in FIG. 2.

FIG. 5 is a top plan view of the staff depicted in FIG. 2.

FIG. 6 is a bottom plan view of staff depicted in FIG. 2.

FIG. 7 is a handle-end elevation view of the staff depicted in FIG. 2.

FIG. 8 is an opposite-end elevation view of the staff depicted in FIG. 2.

FIG. 9 is a close-up view of the encircled portion of FIG. 1.

FIG. 10 is the perspective view of the hiking staff shown in FIG. 2, with its handle-end cap removed.

FIG. 11 is a right side elevation view of the staff depicted in FIG. 10.

FIG. 12 is a left side elevation view of the staff depicted in FIG. 10.

FIG. 13 is a top plan view of the staff depicted in FIG. 10.

FIG. 14 is a bottom plan view of staff depicted in FIG. 10.

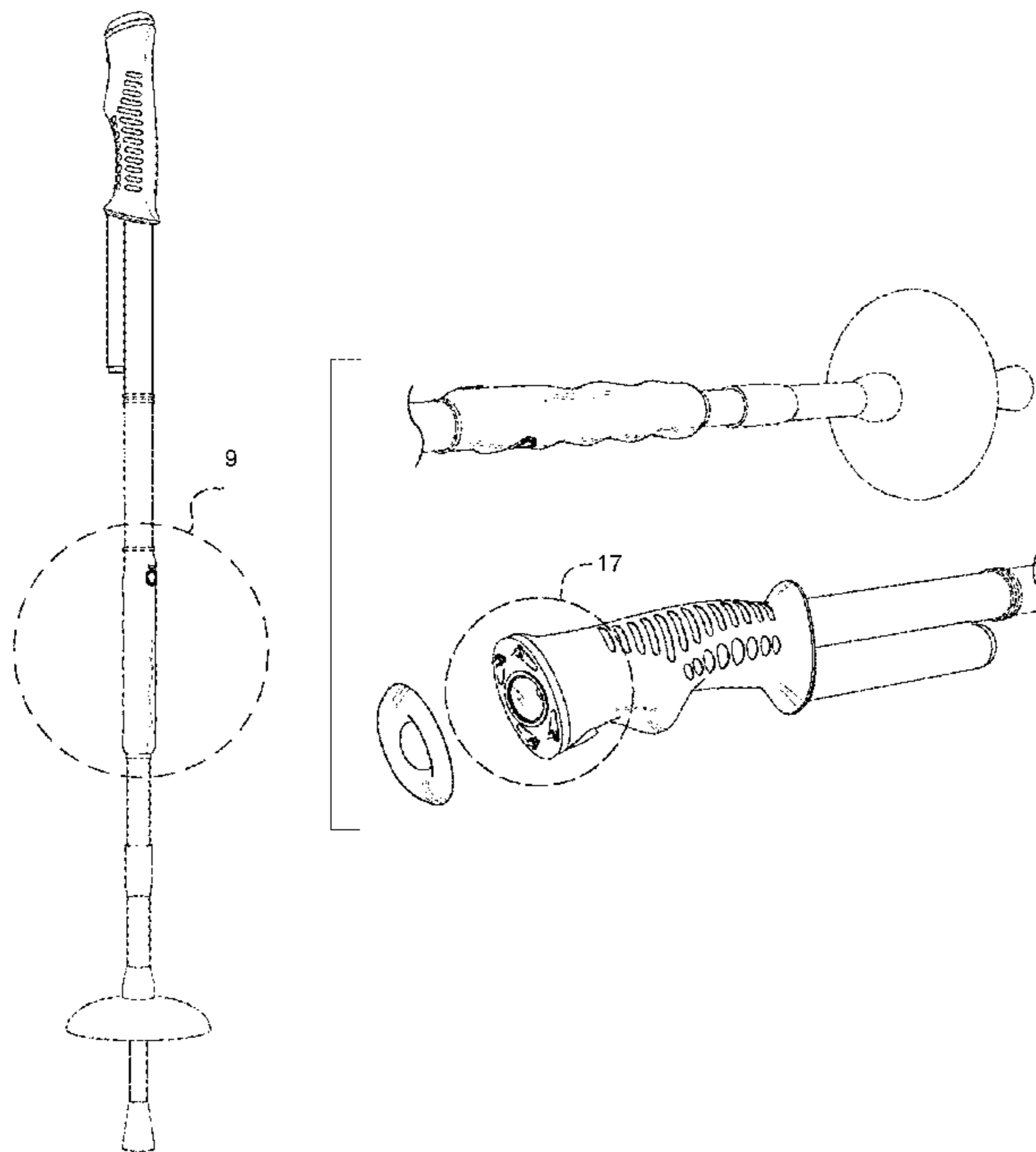
FIG. 15 is a handle-end elevation view of the staff depicted in FIG. 10.

FIG. 16 is an opposite-end elevation view of the staff depicted in FIG. 10; and,

FIG. 17 is a close-up view of the encircled portion of FIG. 10.

The broken lines in the figures depict portions of the hiking staff that form no part of the claimed design.

1 Claim, 9 Drawing Sheets



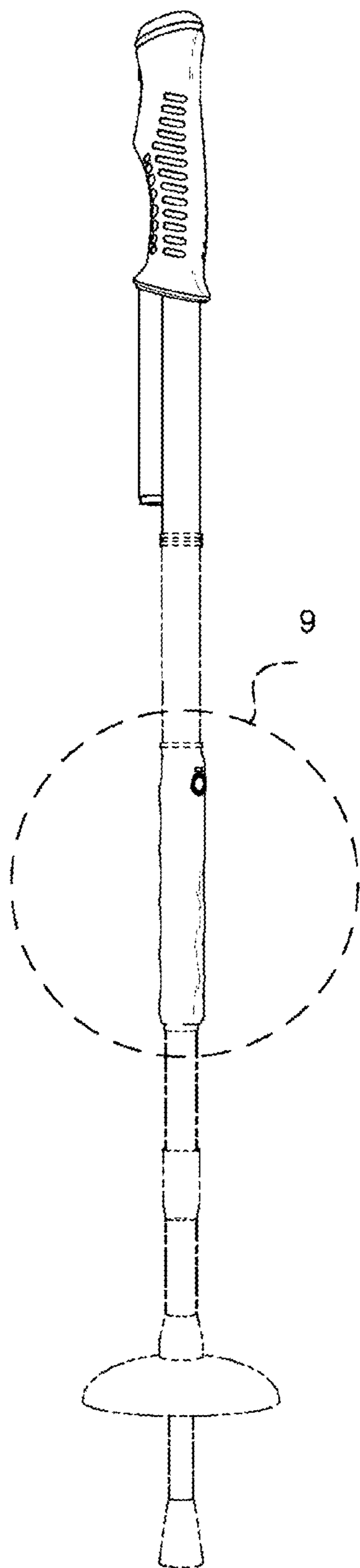


FIG. 1

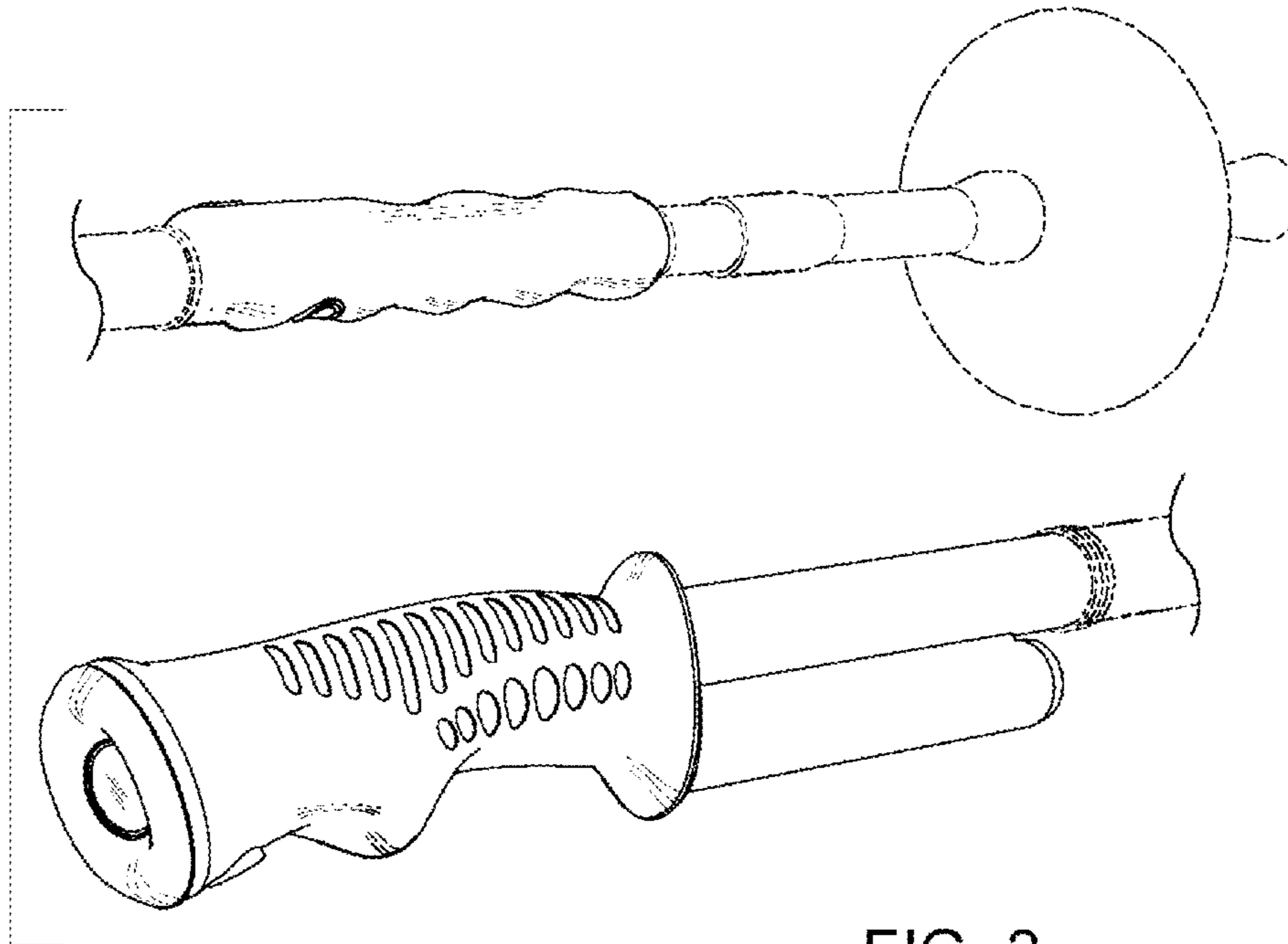


FIG. 2

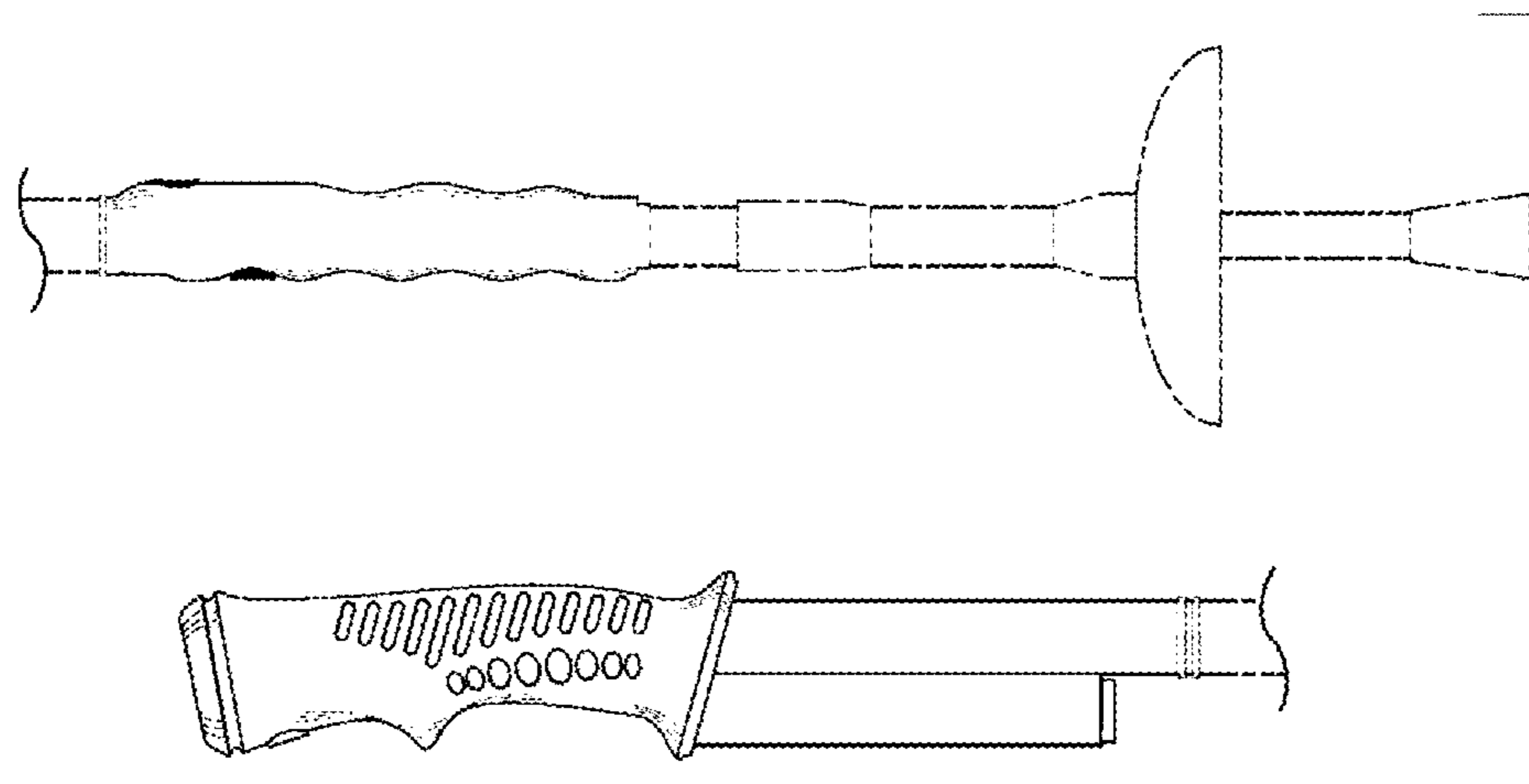


FIG. 3

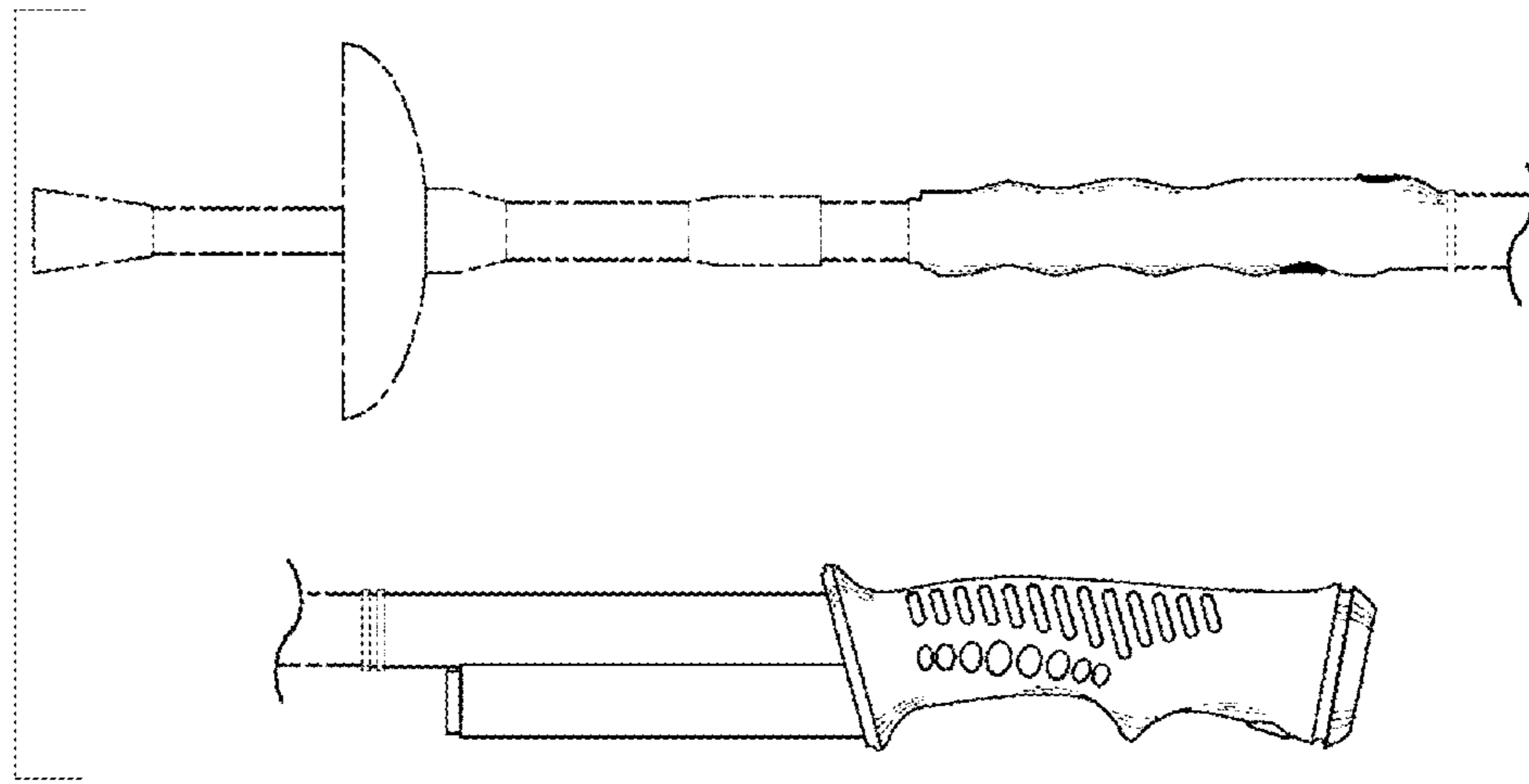


FIG. 4

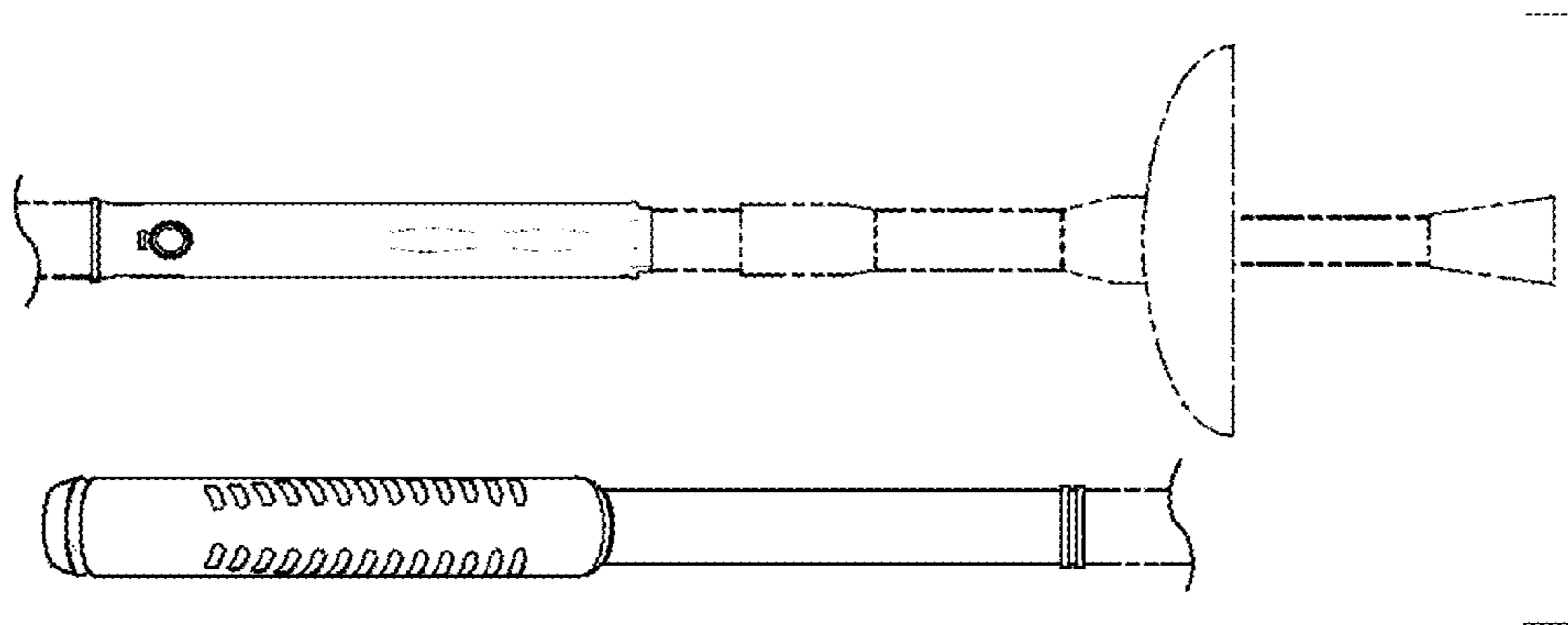


FIG. 5

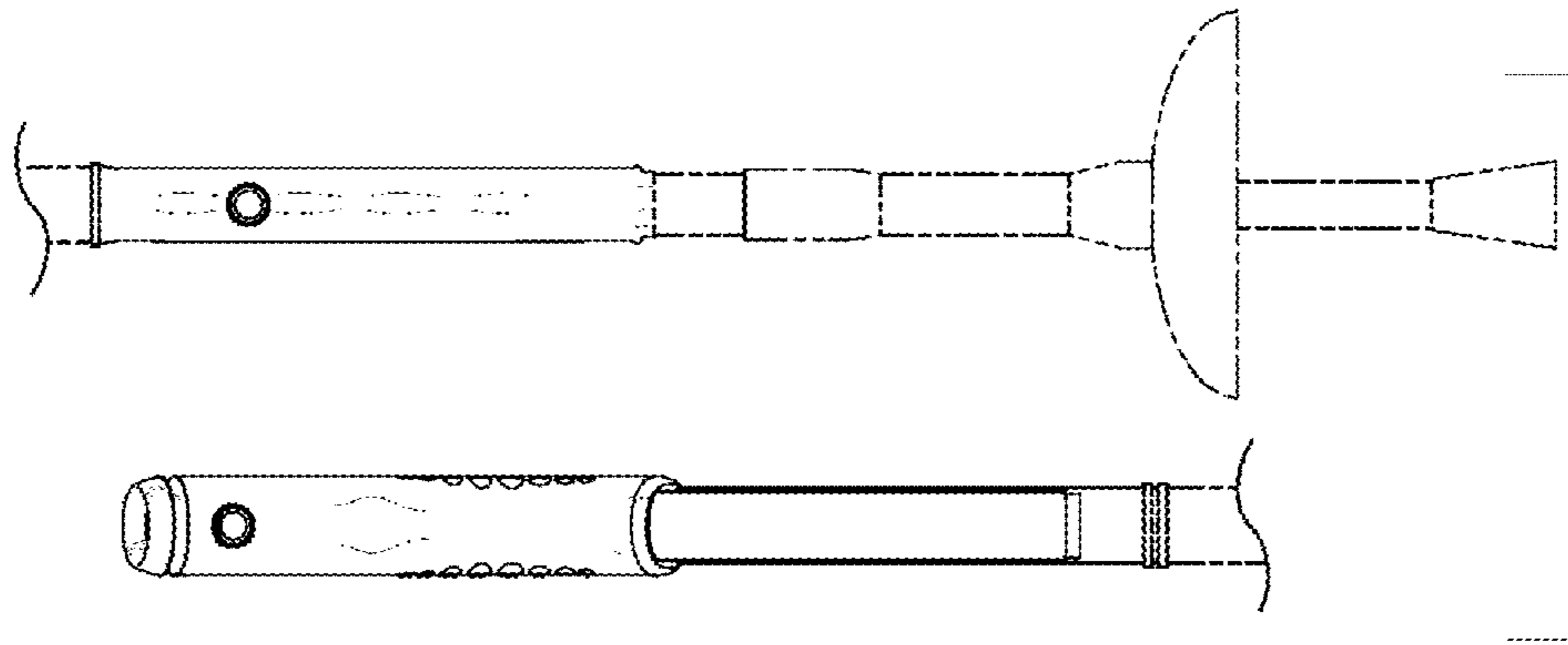


FIG. 6

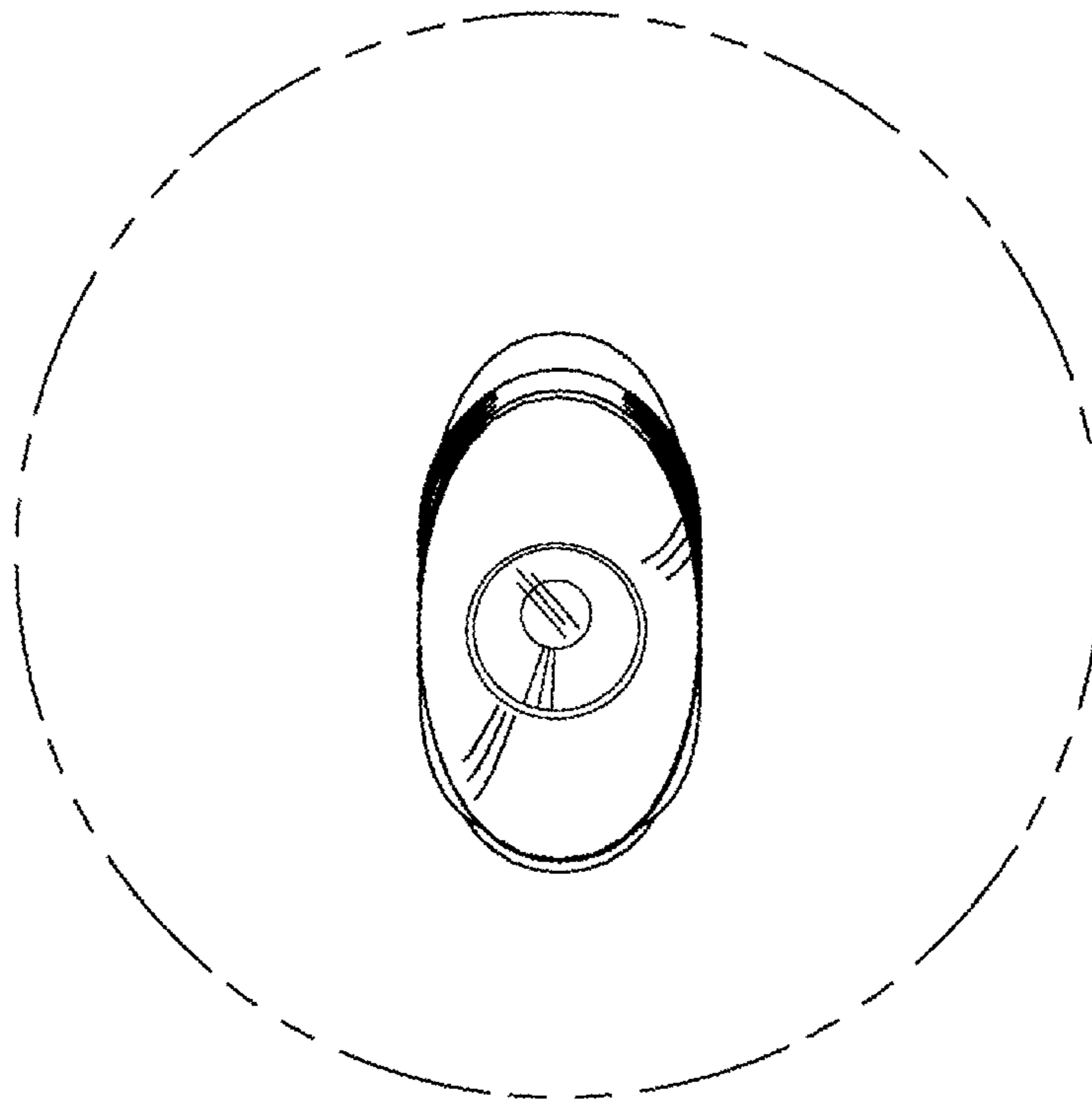


FIG. 7

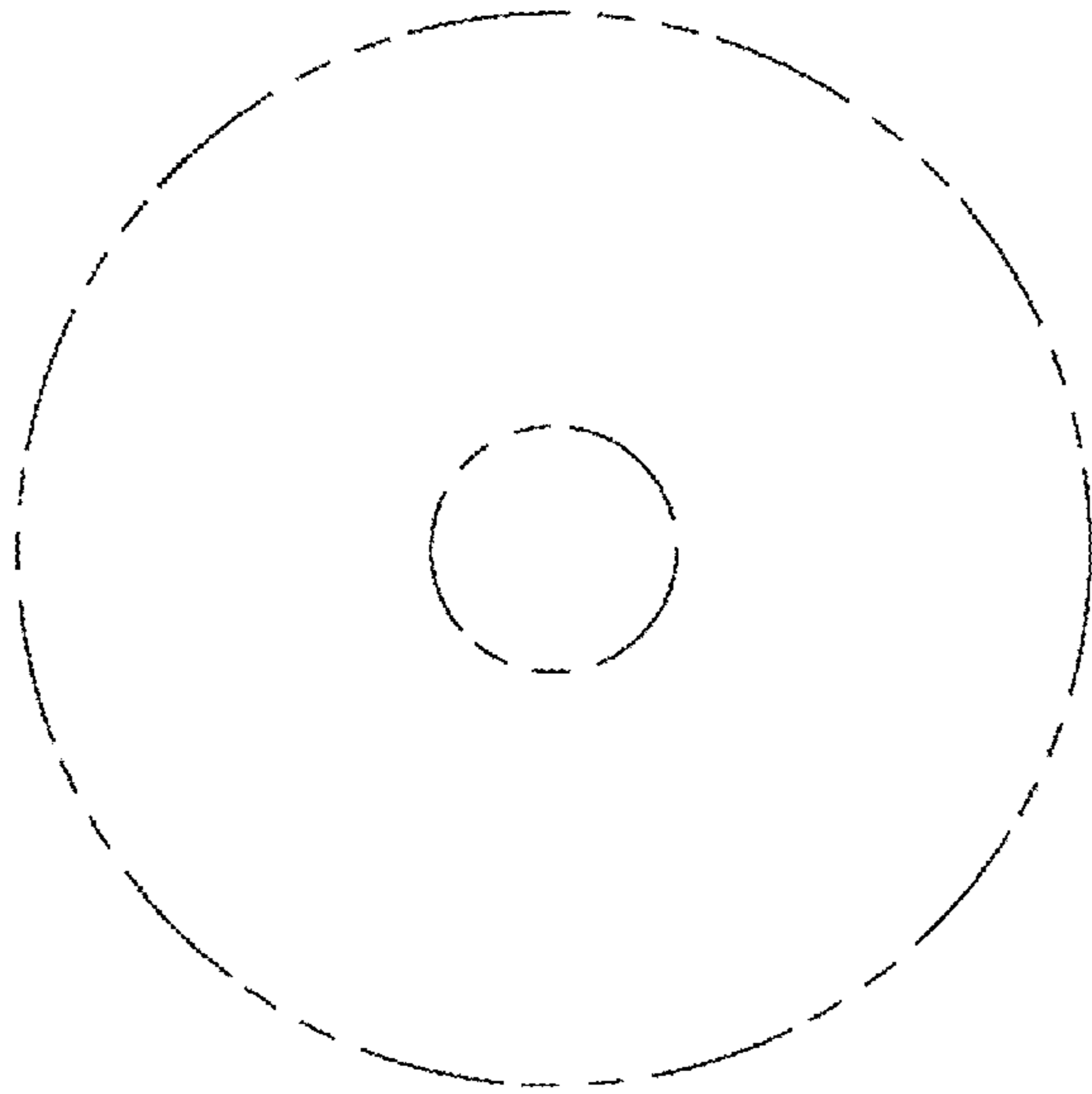


FIG. 8

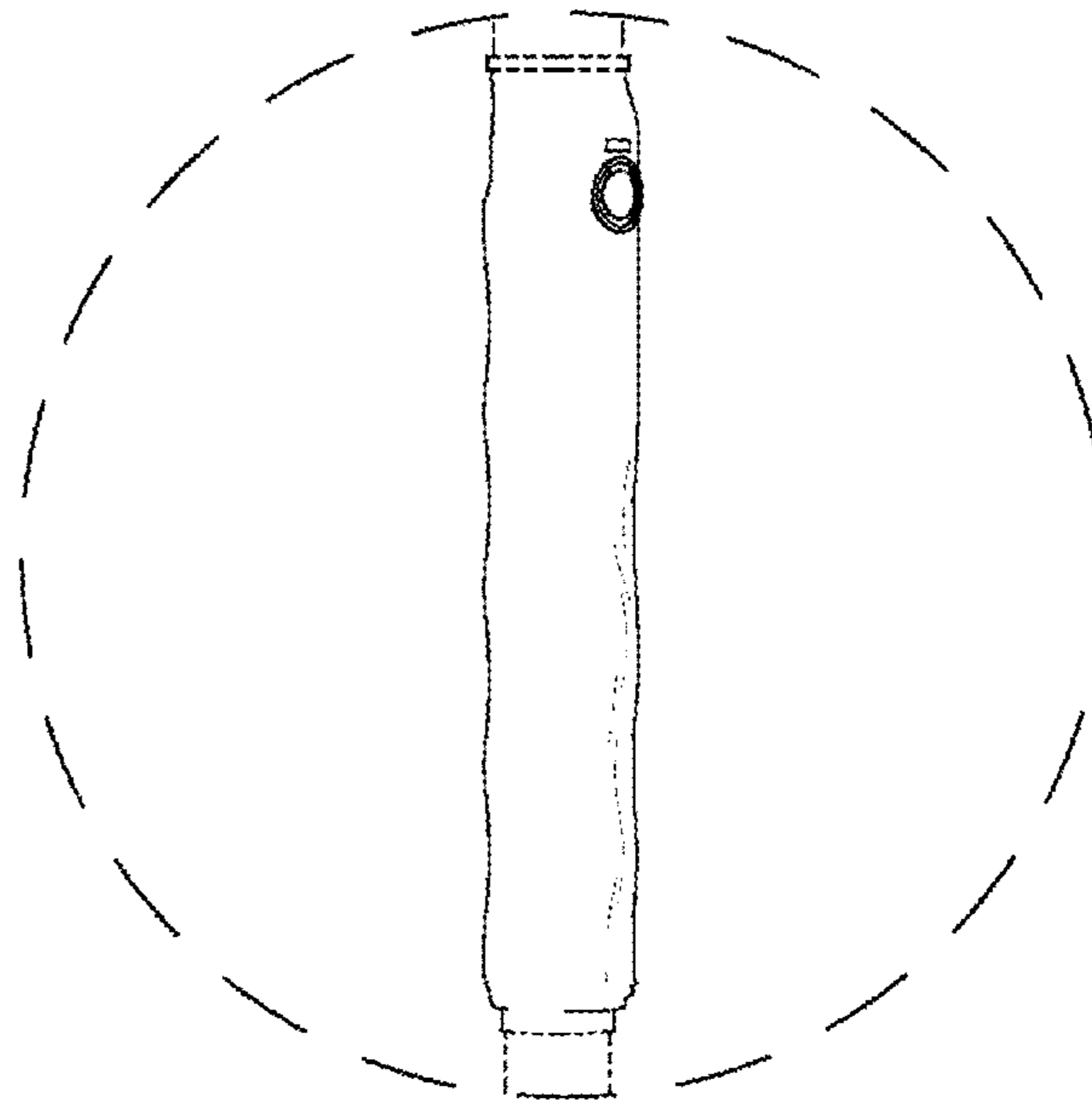
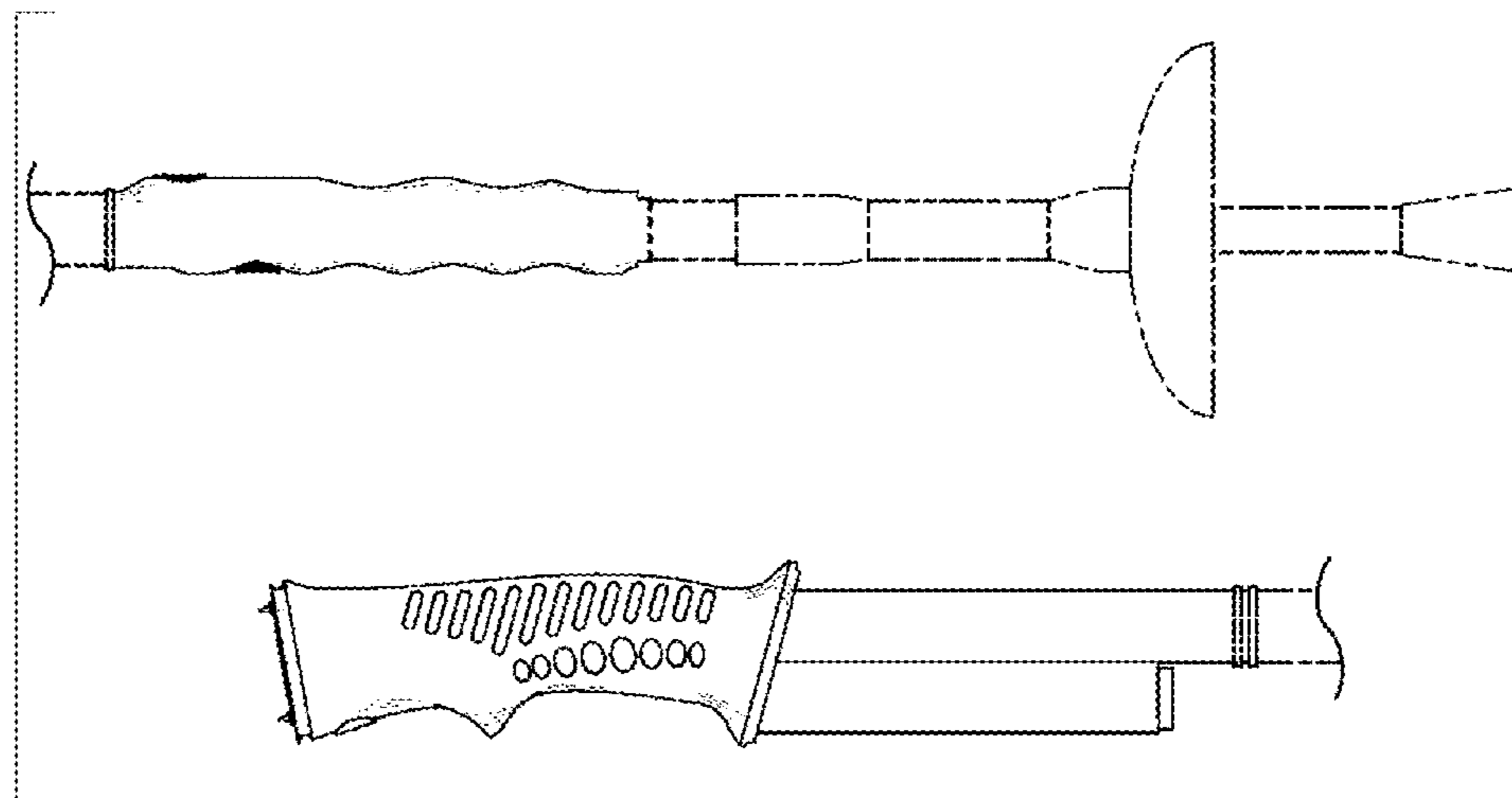
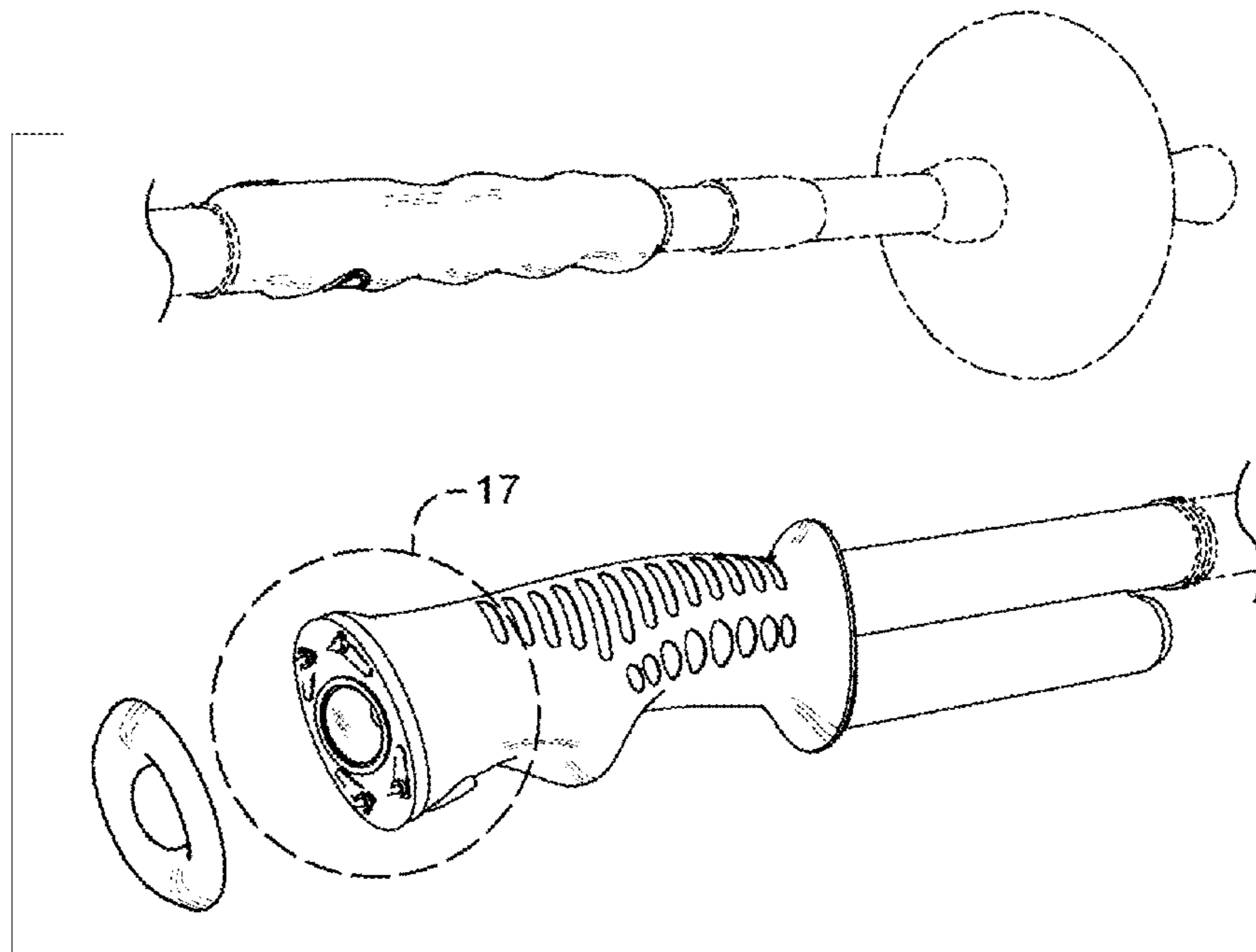


FIG. 9



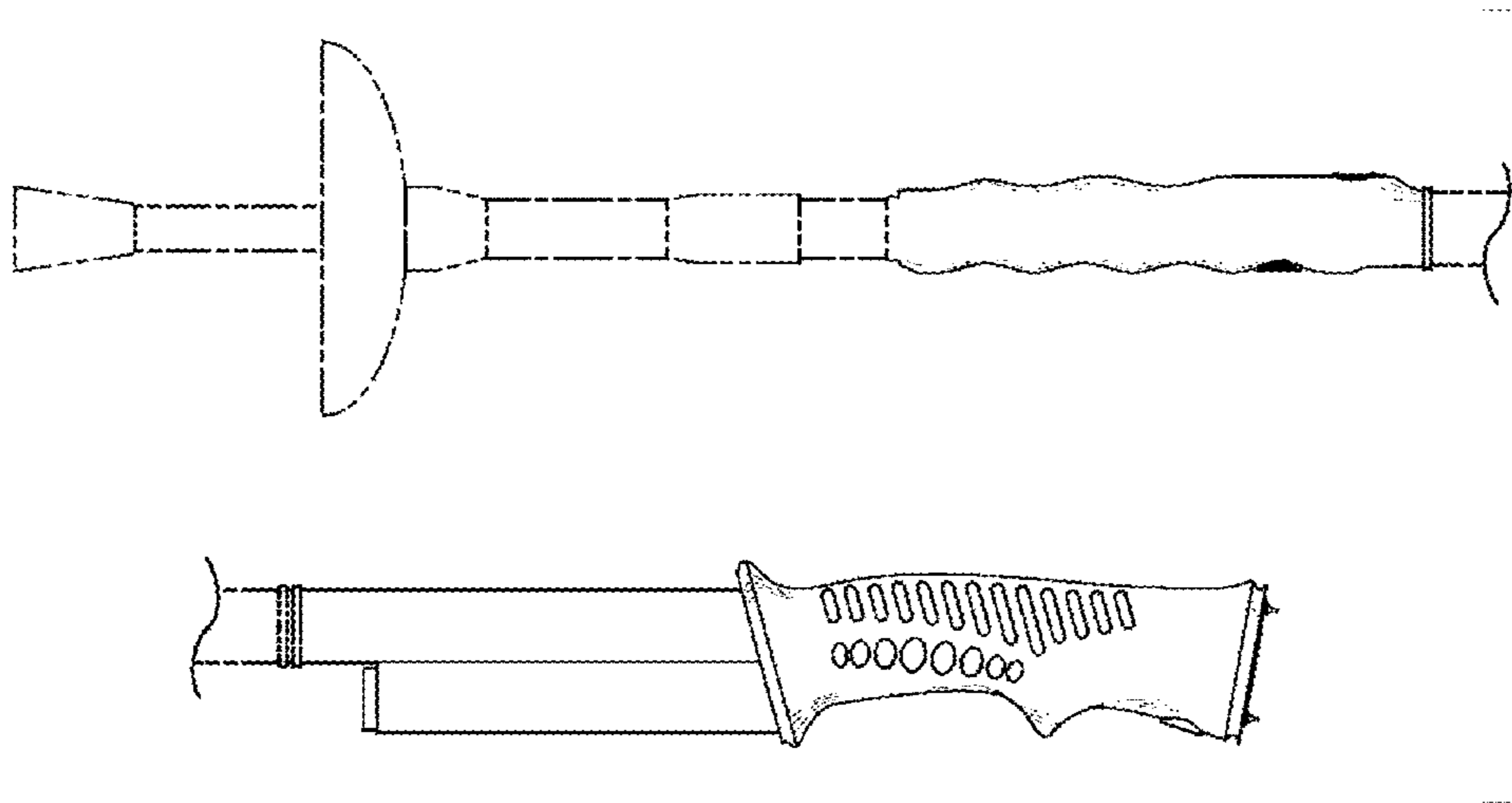


FIG. 12

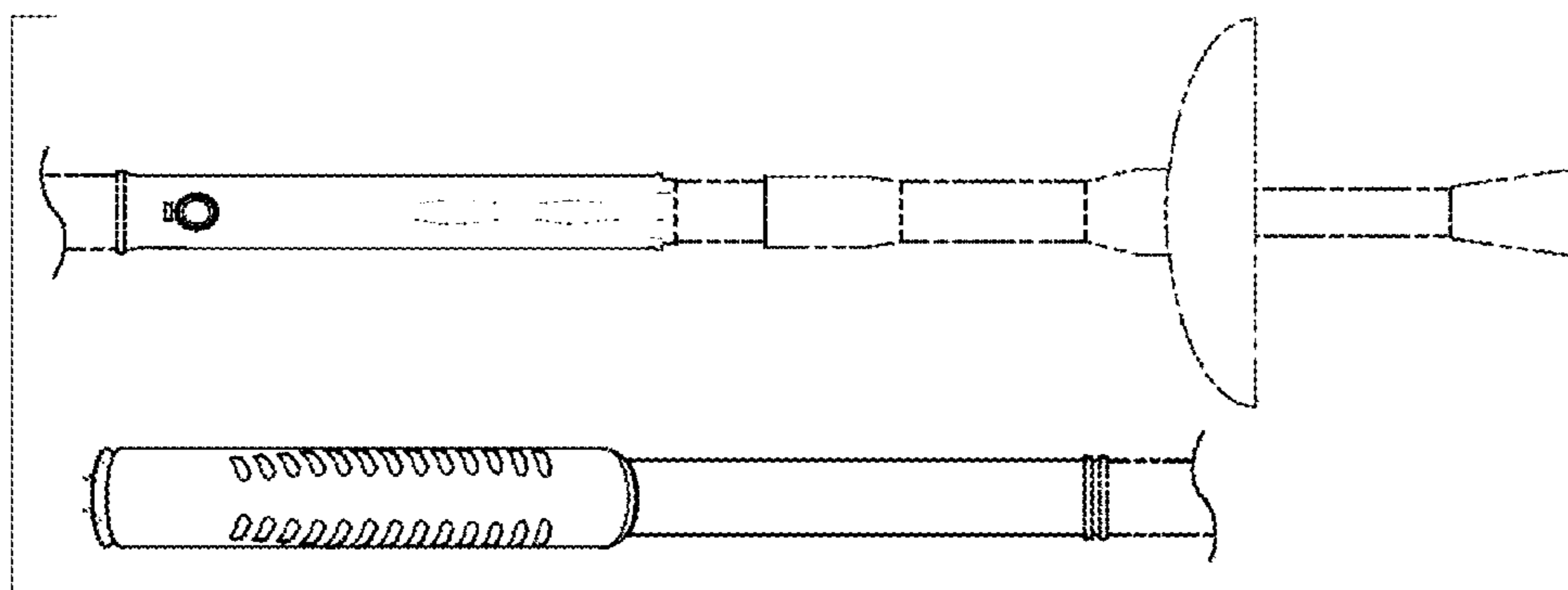


FIG. 13

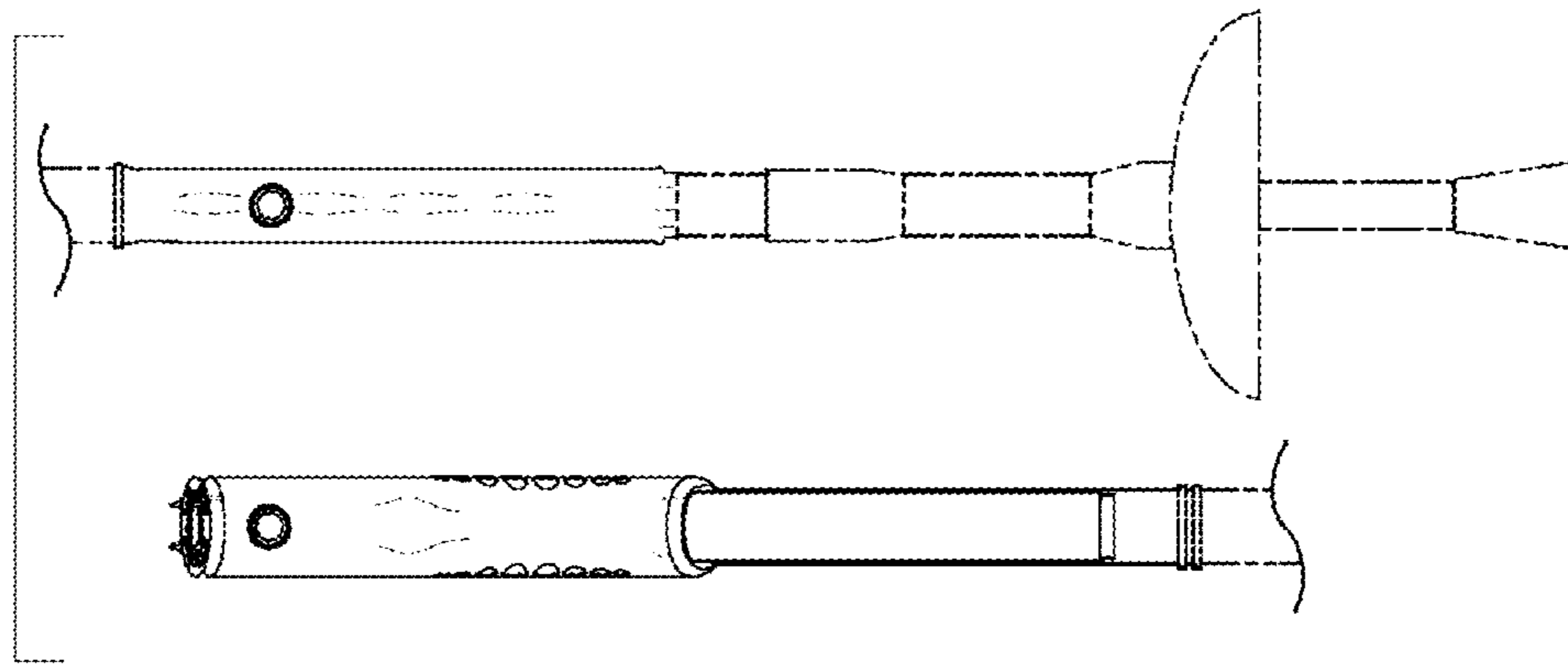


FIG. 14

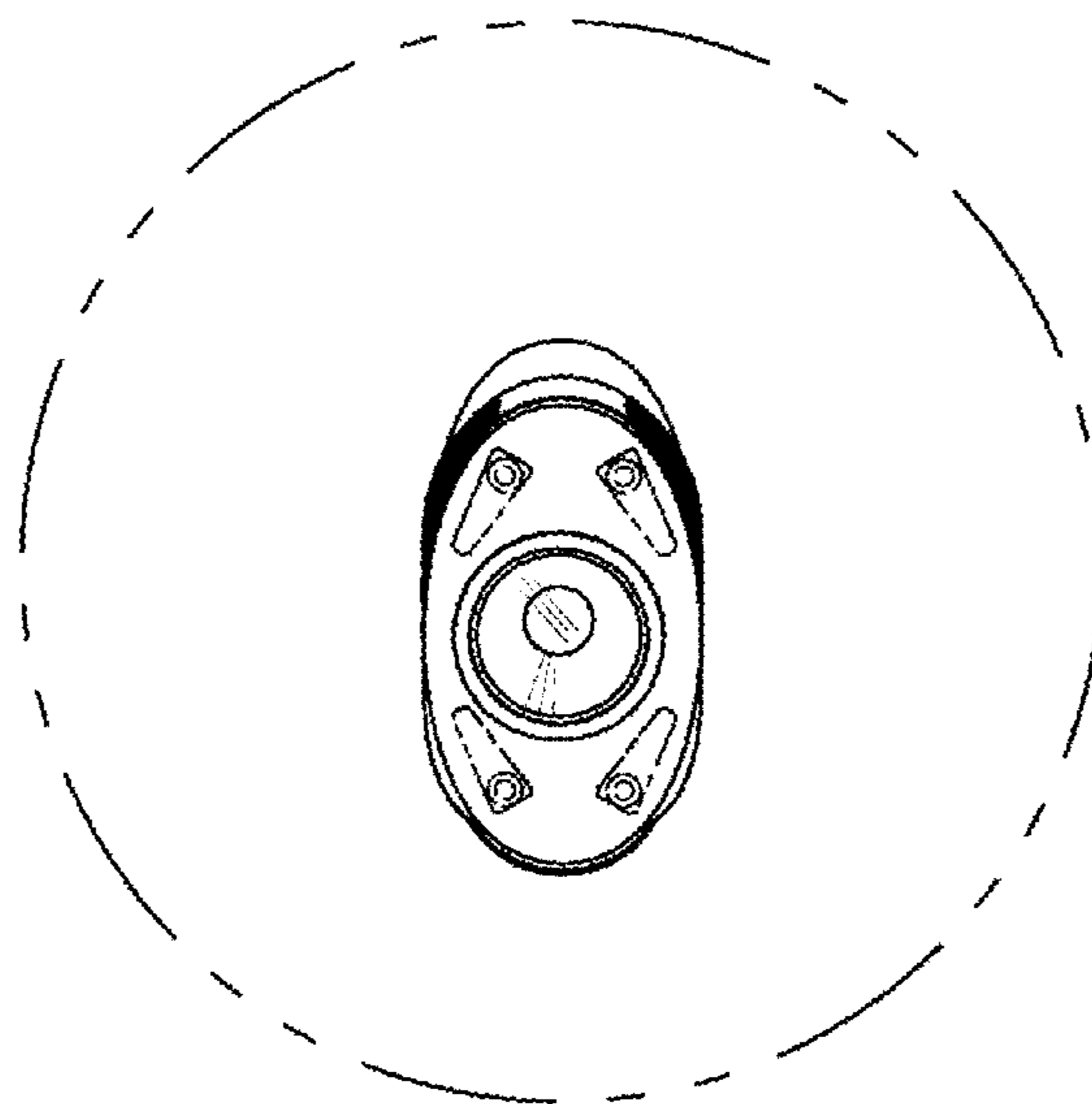


FIG. 15

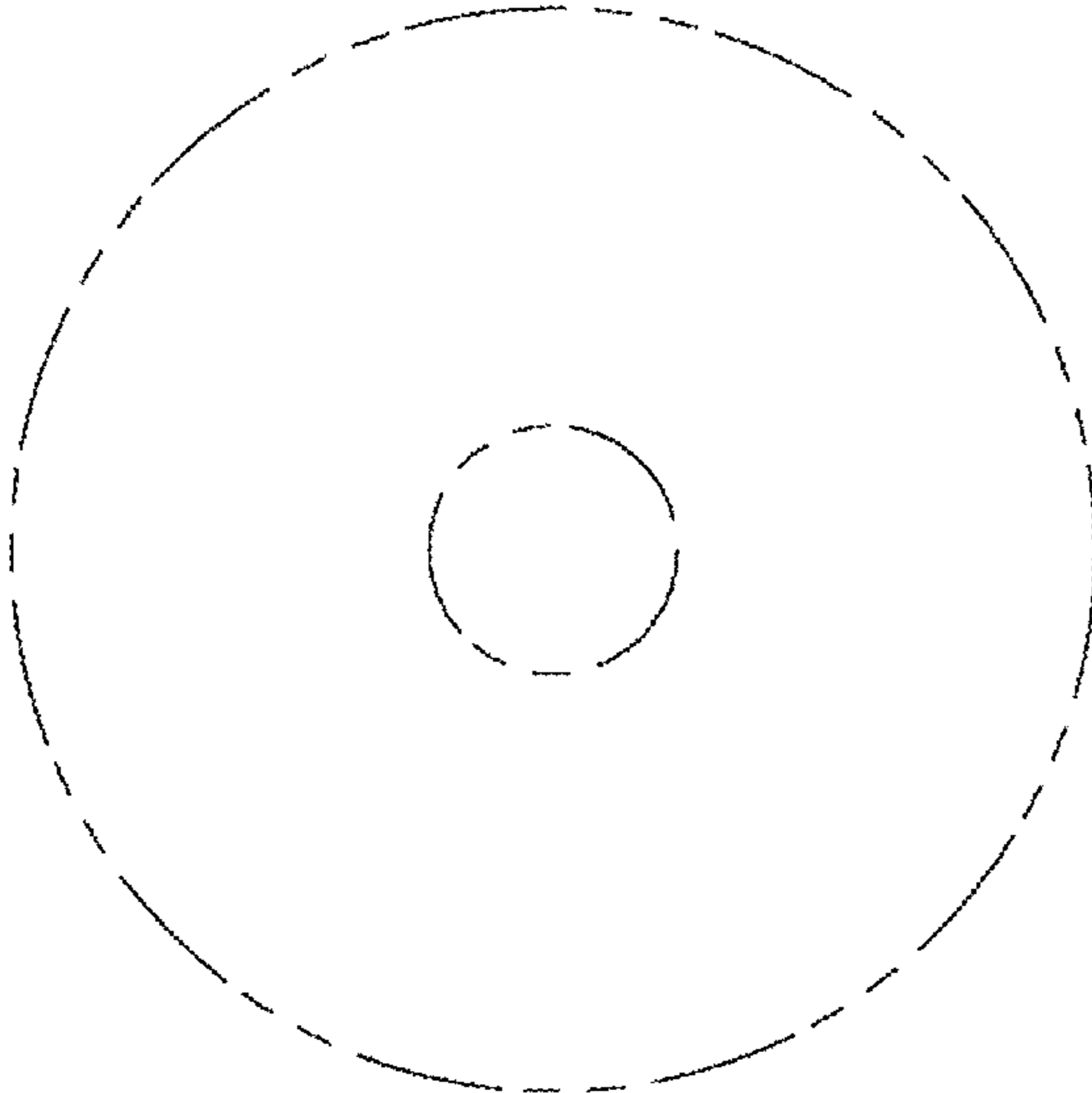


FIG. 16

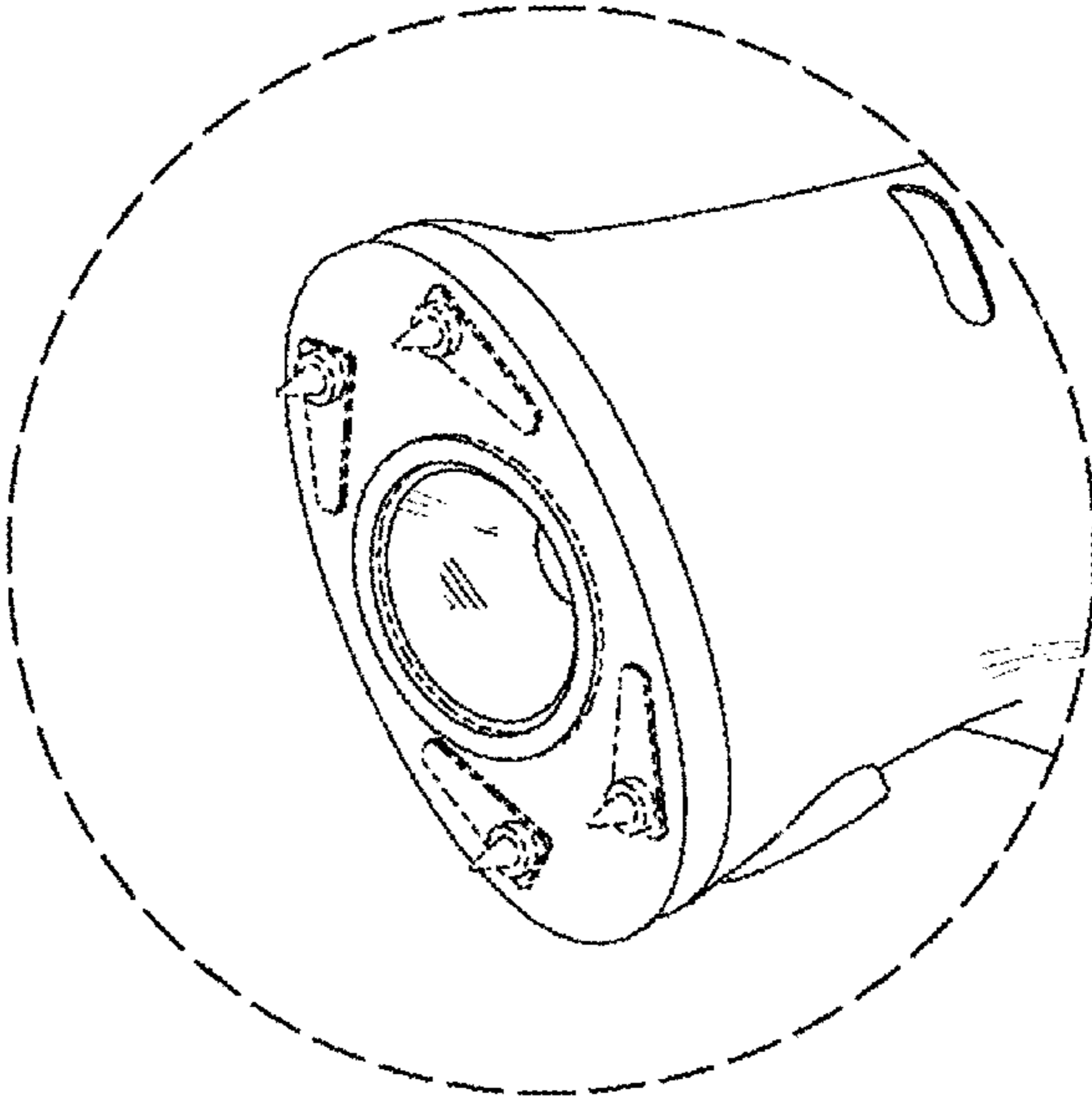


FIG. 17