



US00D754961S

(12) **United States Design Patent**
Yoshikawa

(10) **Patent No.:** **US D754,961 S**
(45) **Date of Patent:** **** May 3, 2016**

(54) **SHAPE RETAINING DEVICE FOR SHOE**

D217,943 S * 6/1970 Dunkelman D2/979
D217,944 S * 6/1970 Dunkelman D2/979
D221,498 S * 8/1971 Goldberg D2/979

(71) Applicant: **Yoshikawakuni Plastics Co., Ltd.**, Nara (JP)

(Continued)

(72) Inventor: **Toshiyuki Yoshikawa**, Nara (JP)

FOREIGN PATENT DOCUMENTS

(73) Assignee: **Yoshikawakuni Plastics Co., Ltd.**, Nara (JP)

JP 1014742 A 1/1998
JP D1313973 S 10/2007

(**) Term: **14 Years**

(Continued)

(21) Appl. No.: **29/502,054**

Primary Examiner — Elizabeth J Oswecki

(22) Filed: **Sep. 11, 2014**

(74) *Attorney, Agent, or Firm* — The Webb Law Firm

(30) **Foreign Application Priority Data**

(57) **CLAIM**

Mar. 14, 2014 (JP) 2014-005481

The ornamental design for a shape retaining device for shoe, as shown and described.

(51) **LOC (10) Cl.** **07-99**

DESCRIPTION

(52) **U.S. Cl.**
USPC **D2/979**

(58) **Field of Classification Search**
USPC D2/896, 946, 961, 979; D15/136, 137; D9/434, 435, 438
CPC A43D 3/00; A43D 3/02; A43D 3/021-3/029; A43D 3/04; A43D 3/08; A43D 3/14; A43D 3/1416; A43D 3/1425; A43D 3/1441; A43D 3/145; A43D 3/1458; A43D 3/1466; A43D 3/1475; A43D 3/1483

FIG. 1 is an upper, right, front perspective view of a shape retaining device for shoe, showing my new design;

FIG. 2 is a front view thereof;

FIG. 3 is a rear view thereof;

FIG. 4 is a top view thereof;

FIG. 5 is a bottom view thereof;

FIG. 6 is a right side view thereof;

FIG. 7 is a cross-sectional view thereof taken along lines 7-7 shown in FIG. 2;

FIG. 8 is another upper, right, front perspective view thereof, shown with the top extended;

FIG. 9 is another front view thereof, shown with the top extended;

FIG. 10 is another right side view thereof, shown with the top extended; and,

FIG. 11 is a cross-sectional view thereof taken along lines 11-11 shown in FIG. 9.

Left side views of the shape retaining device for shoe are omitted as they are symmetric in appearance to the right side views of FIGS. 6 and 10.

The portions of the shape retaining device for shoe shown in broken lines form no part of the claimed design.

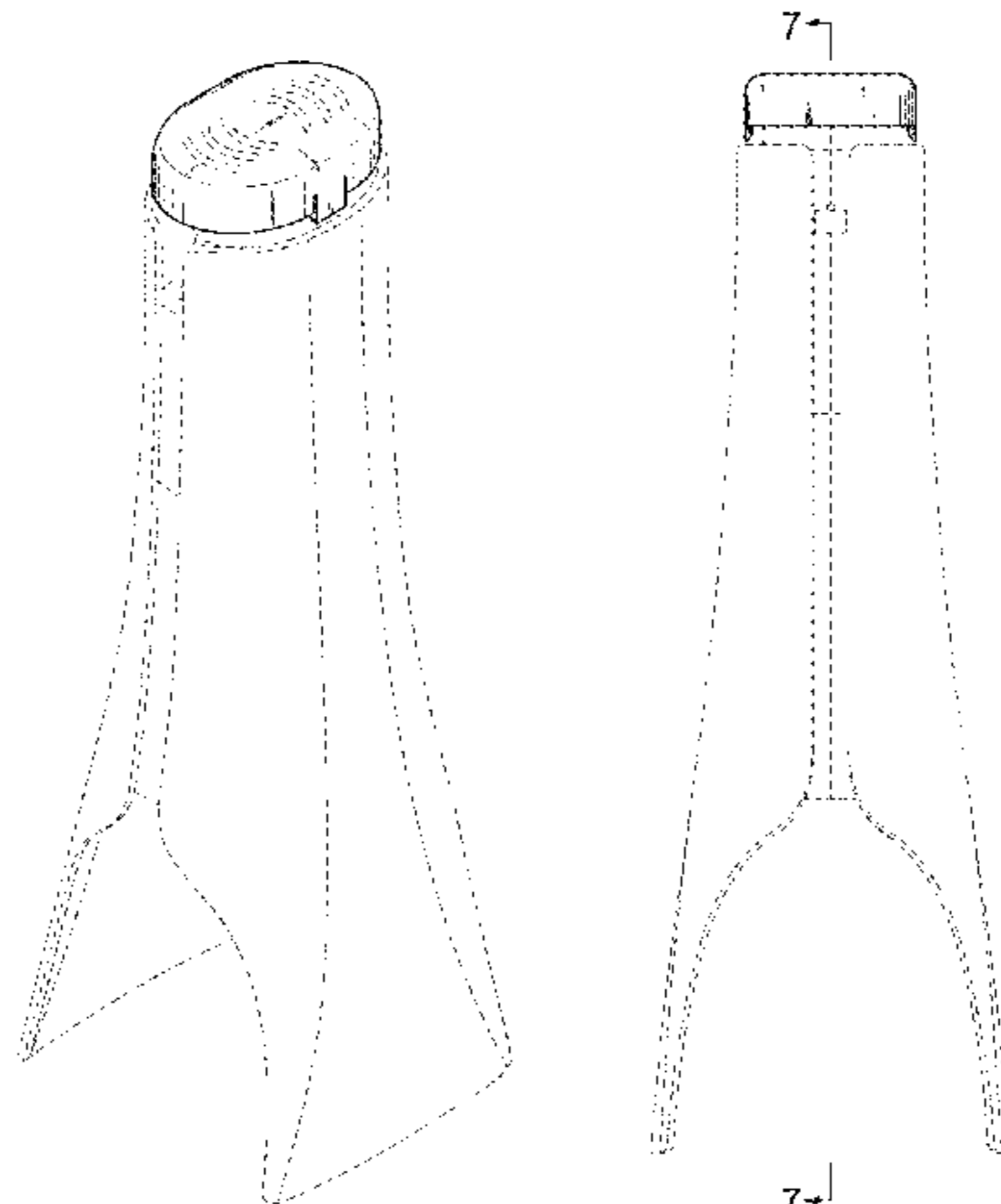
See application file for complete search history.

(56) **References Cited**

U.S. PATENT DOCUMENTS

823,853 A * 6/1906 Von Essen A43D 3/1416 12/114.6
1,902,251 A * 3/1933 Maier A43D 3/1416 12/114.6
3,210,787 A * 10/1965 Allsop A43D 3/1416 12/120.5
3,229,314 A * 1/1966 Hyams A43D 3/1416 12/114.6
D215,130 S * 9/1969 Messinger D2/979
3,473,177 A * 10/1969 Palson A43D 3/1466 12/115.2

1 Claim, 6 Drawing Sheets



US D754,961 S

Page 2

(56)

References Cited

U.S. PATENT DOCUMENTS
D223,221 S * 3/1972 Wright 12/128 R
4,290,539 A * 9/1981 Lowery A47G 25/82
223/118
D338,323 S * 8/1993 Bramble D2/979
D360,816 S * 8/1995 Brown D2/979
D382,103 S * 8/1997 Brown D2/979
D447,056 S * 8/2001 Caserta D9/438
6,622,331 B2 * 9/2003 Yanagi A43D 3/1433
12/114.2

D490,708 S * 6/2004 Lown D9/438
D675,922 S * 2/2013 MacNeill D9/438
D718,042 S * 11/2014 Caringi D2/979
D740,540 S * 10/2015 Young D2/979

FOREIGN PATENT DOCUMENTS

JP D1337982 S 8/2008
JP D1353004 S 3/2009

* cited by examiner

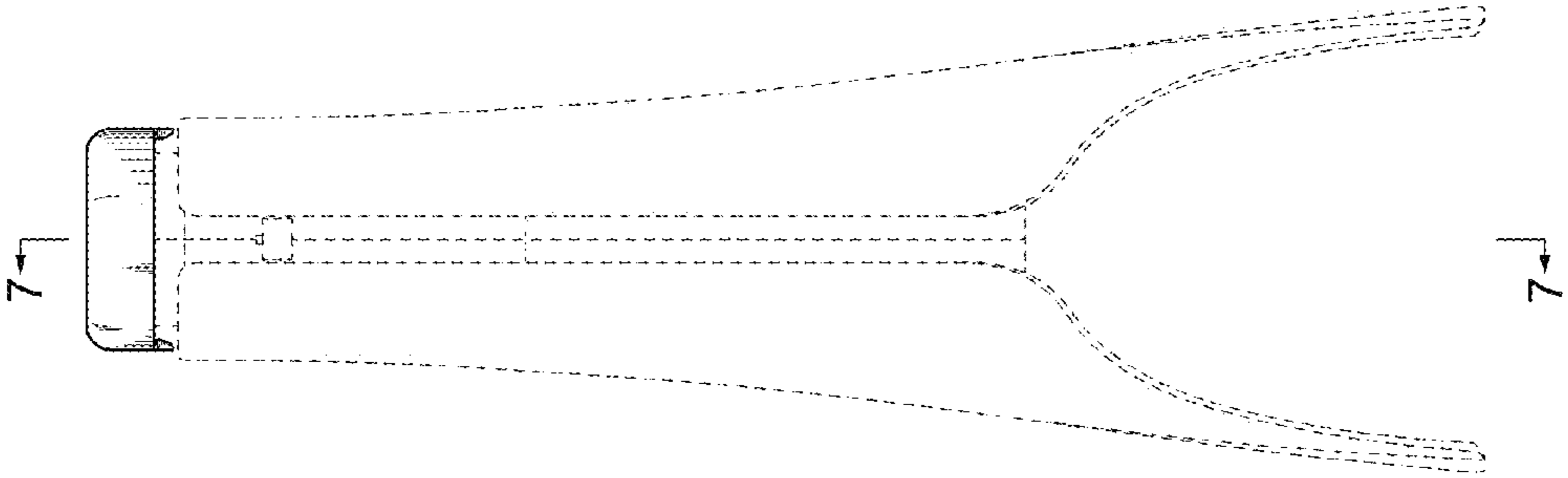


FIG. 2

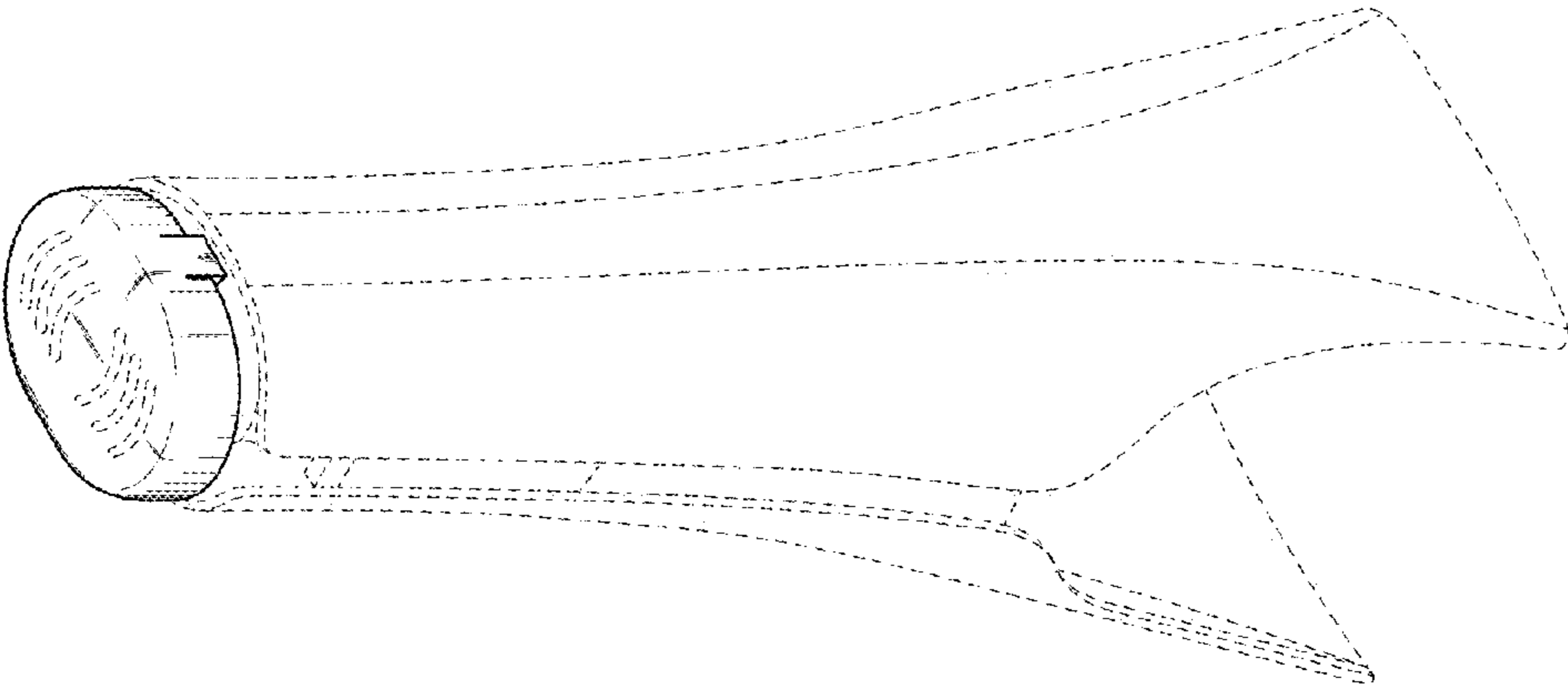


FIG. 1

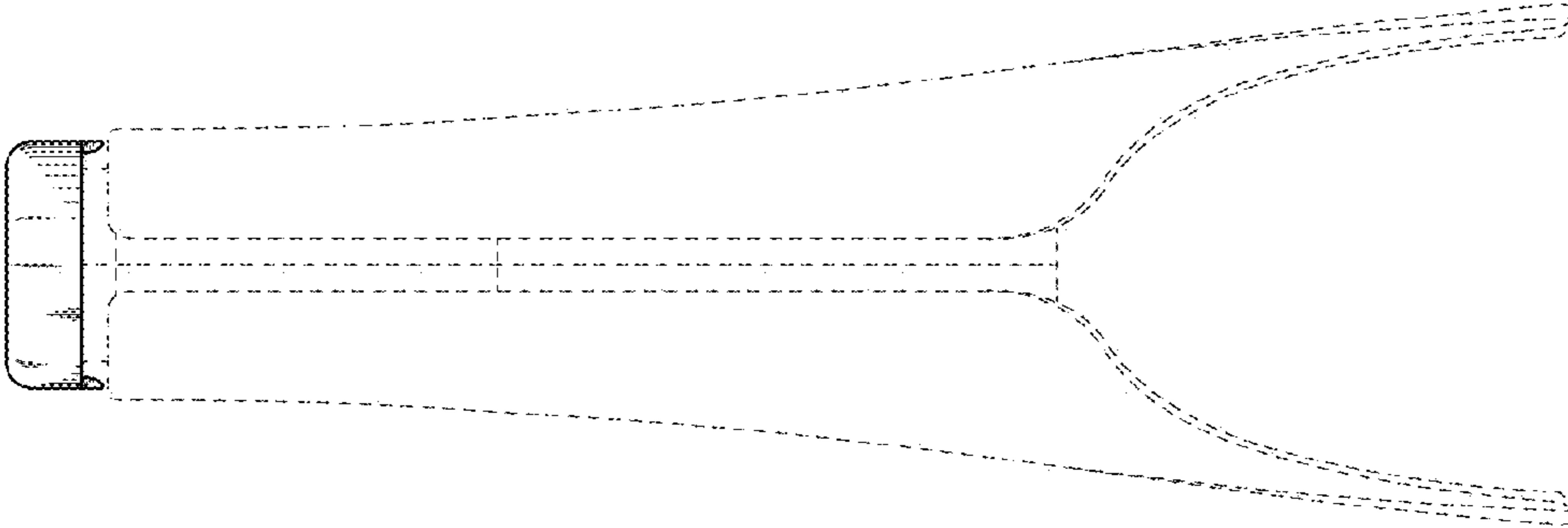


FIG. 3

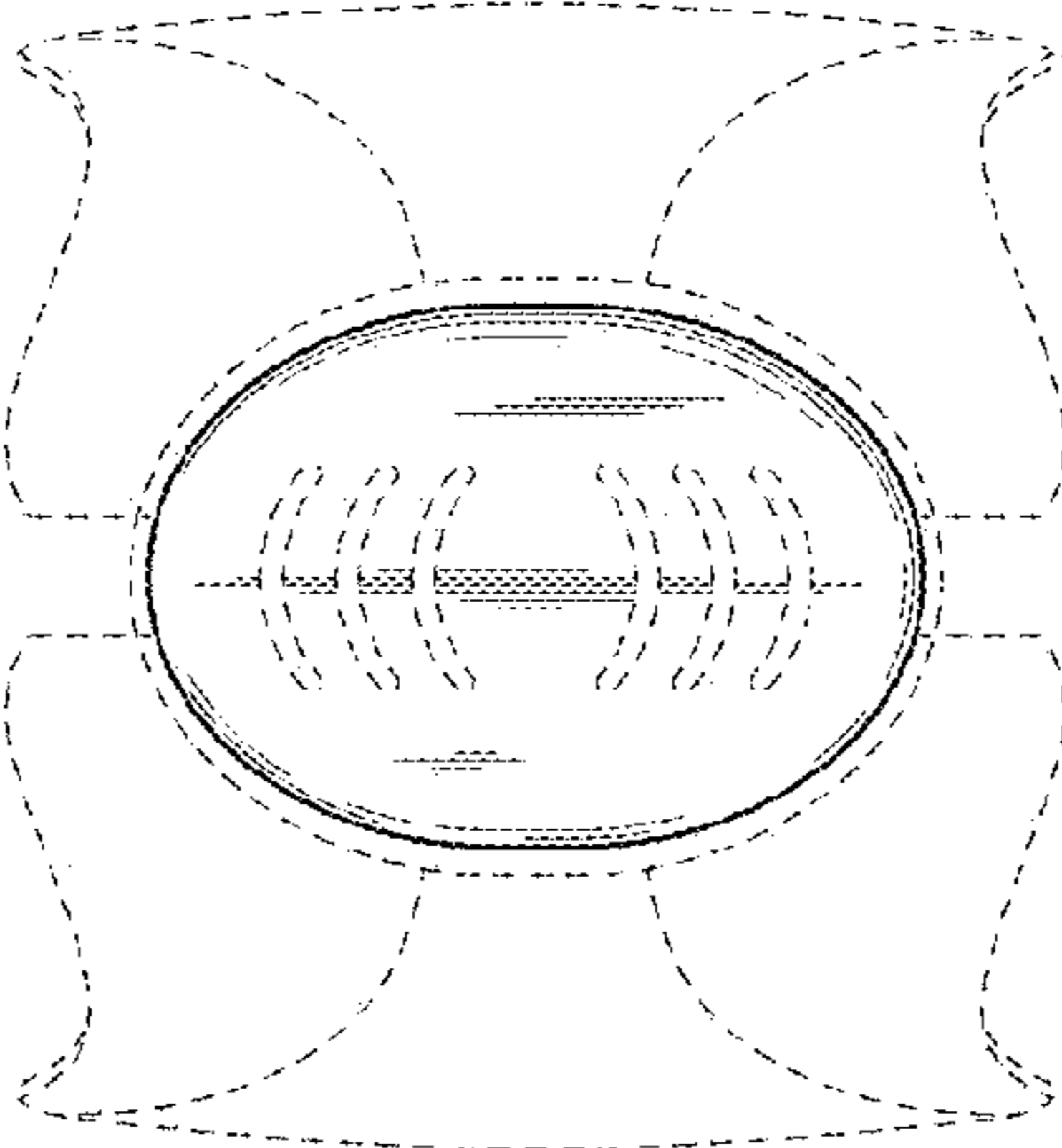


FIG. 4



FIG. 6

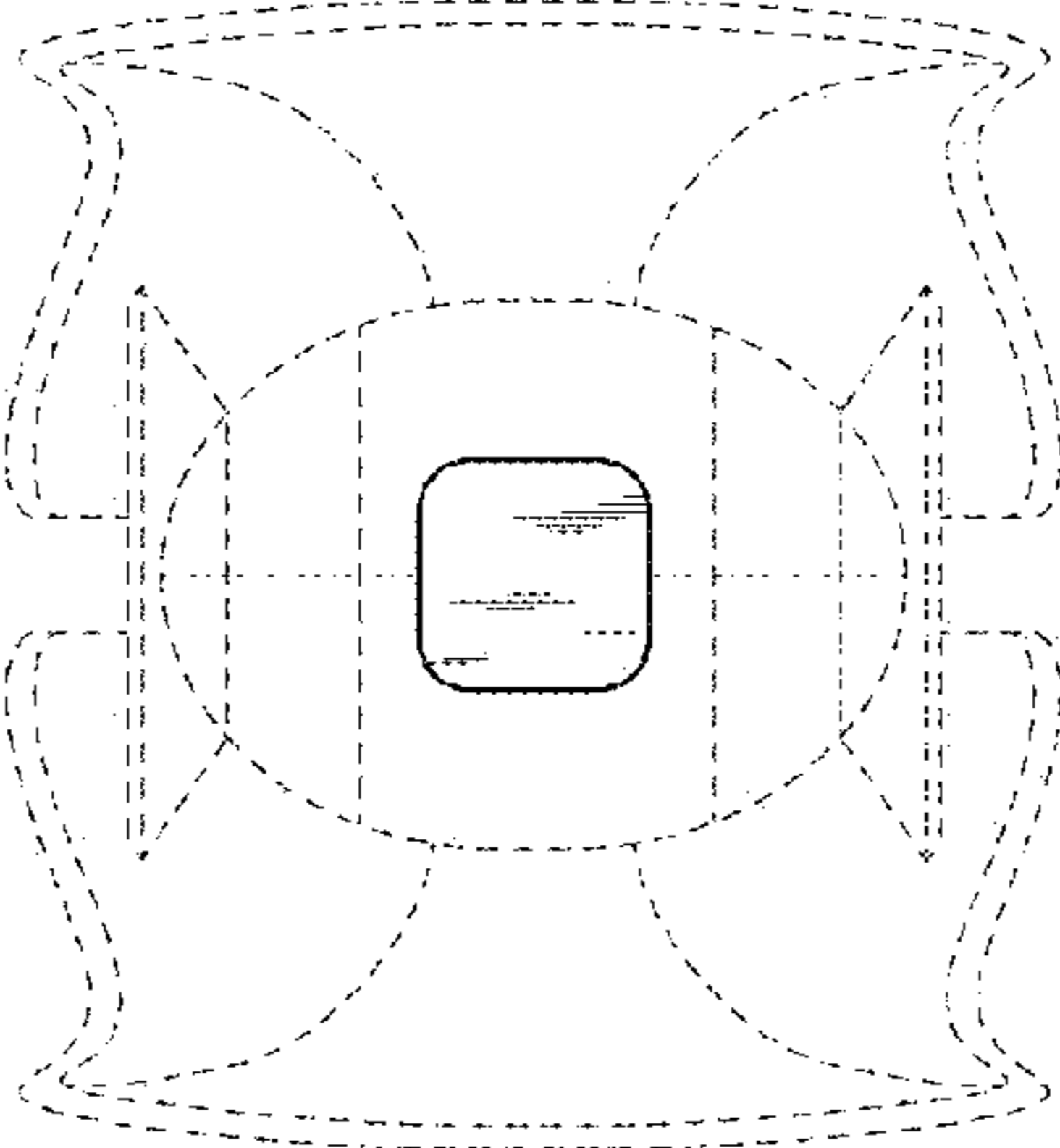


FIG. 5

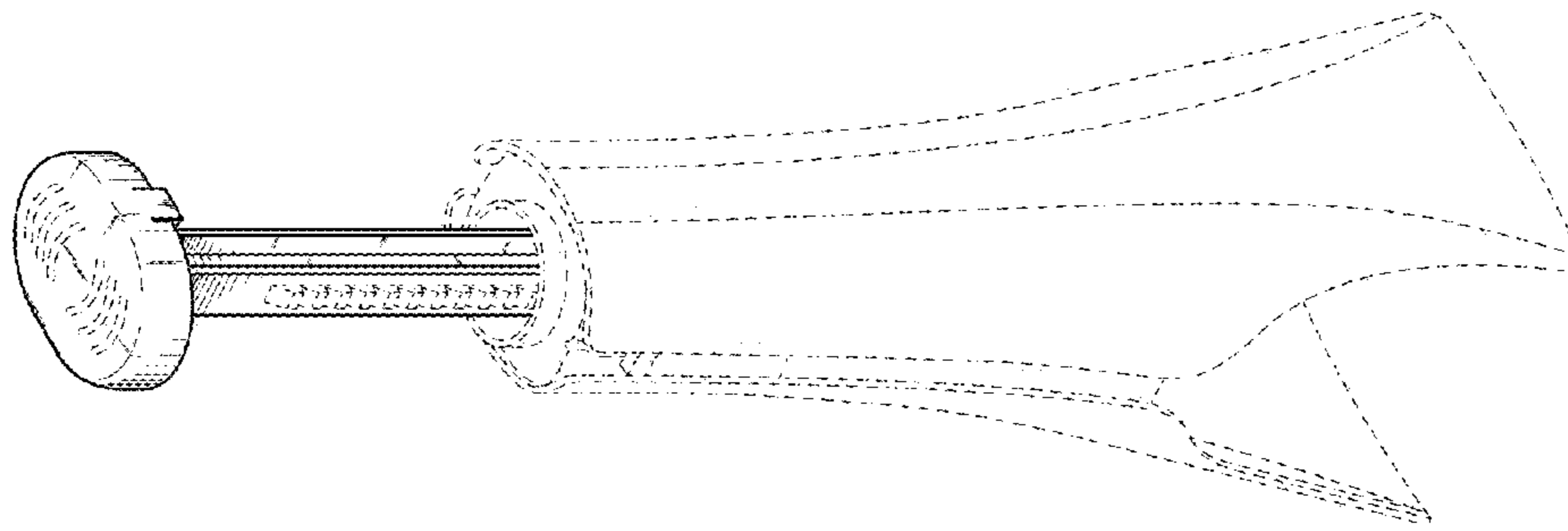


FIG. 8

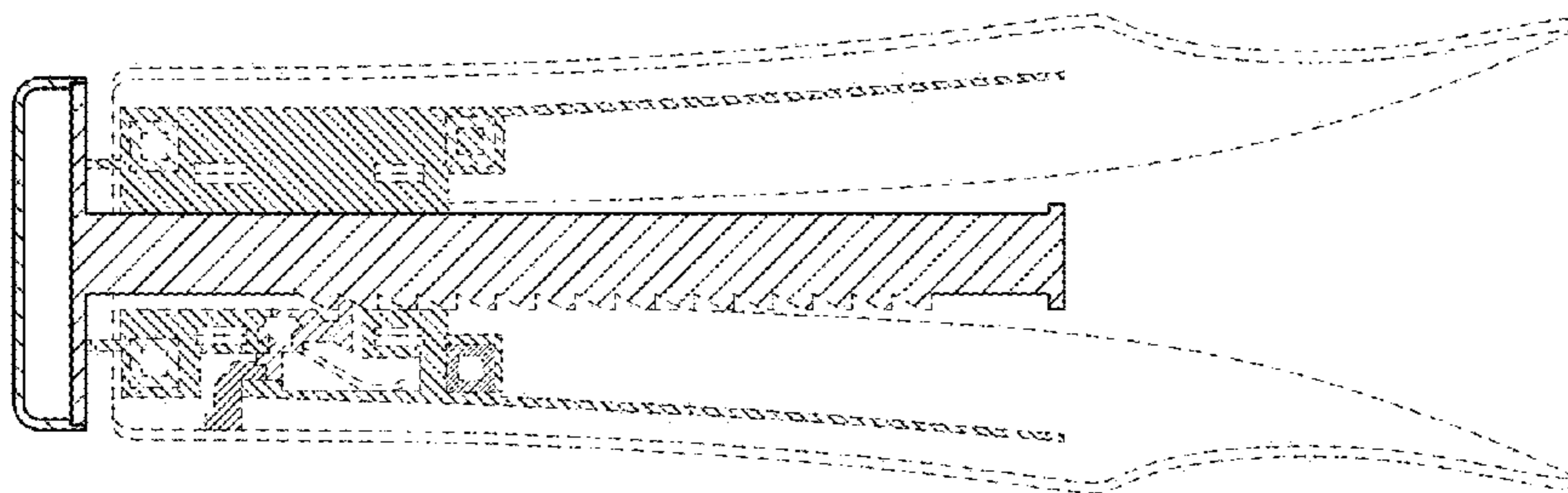


FIG. 7

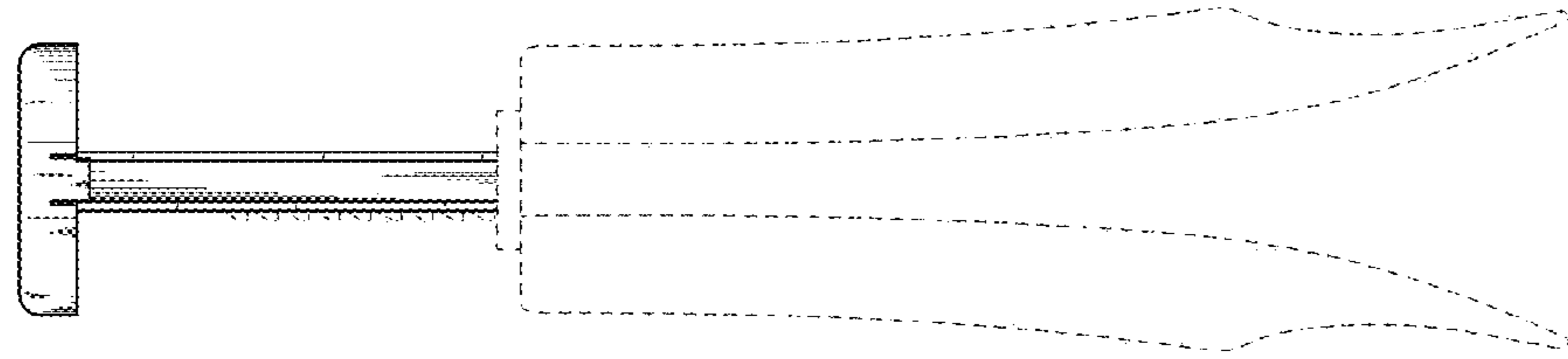


FIG. 10

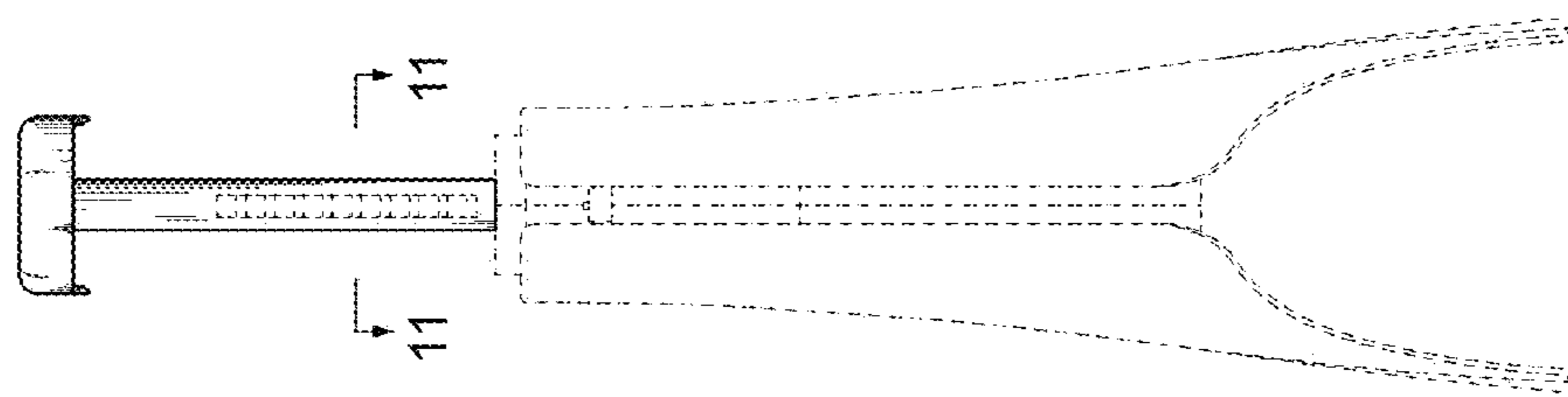


FIG. 9

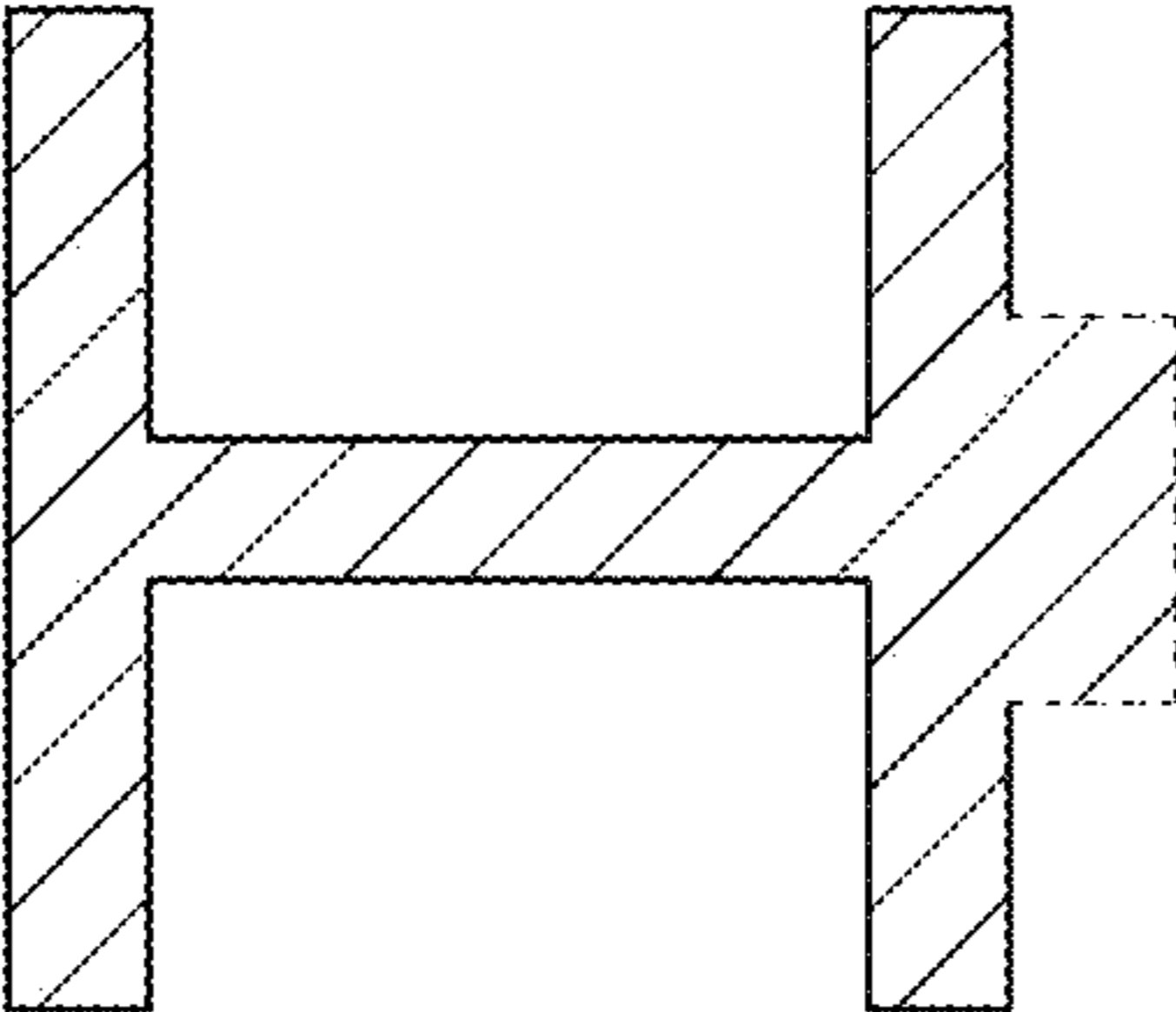


FIG. 11