



US00D754951S

(12) **United States Design Patent**  
**Singleterry**

(10) **Patent No.:** **US D754,951 S**

(45) **Date of Patent:** **\*\* May 3, 2016**

(54) **SNAPBACK-STYLE SIZE ADJUSTMENT STRAP**

7,036,156	B2 *	5/2006	Lahman	.....	A42B 1/08	2/181
D603,286	S *	11/2009	Lemchen	.....	D11/3	
D670,892	S *	11/2012	Epstein	.....	D2/882	
D681,496	S *	5/2013	Goerges	.....	D11/26	
D714,178	S *	9/2014	Sabbioni	.....	D11/3	
2003/0233696	A1 *	12/2003	Lee	.....	A42B 1/22	2/195.2
2013/0111650	A1 *	5/2013	Hong	.....	A42B 1/225	2/209.13

(71) Applicant: **Daryl Edward Singleterry**, Portsmouth, NH (US)

(72) Inventor: **Daryl Edward Singleterry**, Portsmouth, NH (US)

(\*\*) Term: **14 Years**

(21) Appl. No.: **29/504,960**

(22) Filed: **Oct. 10, 2014**

(51) **LOC (10) Cl.** ..... **02-03**

(52) **U.S. Cl.**  
USPC ..... **D2/891**

(58) **Field of Classification Search**  
USPC ..... D2/865, 884, 891, 895; D29/122, 129; D11/3, 6, 12, 17, 19, 220  
CPC ..... A42B 1/004; A42B 1/24; A42B 1/22  
See application file for complete search history.

(56) **References Cited**

**U.S. PATENT DOCUMENTS**

1,065,006	A *	6/1913	Sommer	.....	A44C 11/00	59/80
2,378,755	A *	6/1945	Dowling	.....	A44C 5/00	29/433
D164,343	S *	8/1951	Wishengrad	.....	D11/12	
2,775,093	A *	12/1956	Kundert	.....	A44C 5/102	446/120
D299,380	S *	1/1989	Wang	.....	168/13	
D340,879	S *	11/1993	French	.....	D11/3	
D342,595	S *	12/1993	Day	.....	D11/200	
5,615,414	A *	4/1997	Landis	.....	A42B 1/22	2/12
D404,675	S *	1/1999	Green	.....	D11/3	
D520,896	S *	5/2006	Levy	.....	D11/12	

**OTHER PUBLICATIONS**

Amber Snap Bliiizlz 4 pack, available for sale on-line, no date available. Retrieved from Internet Jan. 10, 2016, URL: <http://www.mcssl.com/store/tripleiiicons/amber-snap-bliiizlz-4-pack> (1 page).\*

\* cited by examiner

*Primary Examiner* — Karen E. Eldridge Powers

*Assistant Examiner* — Kimberly Barnes

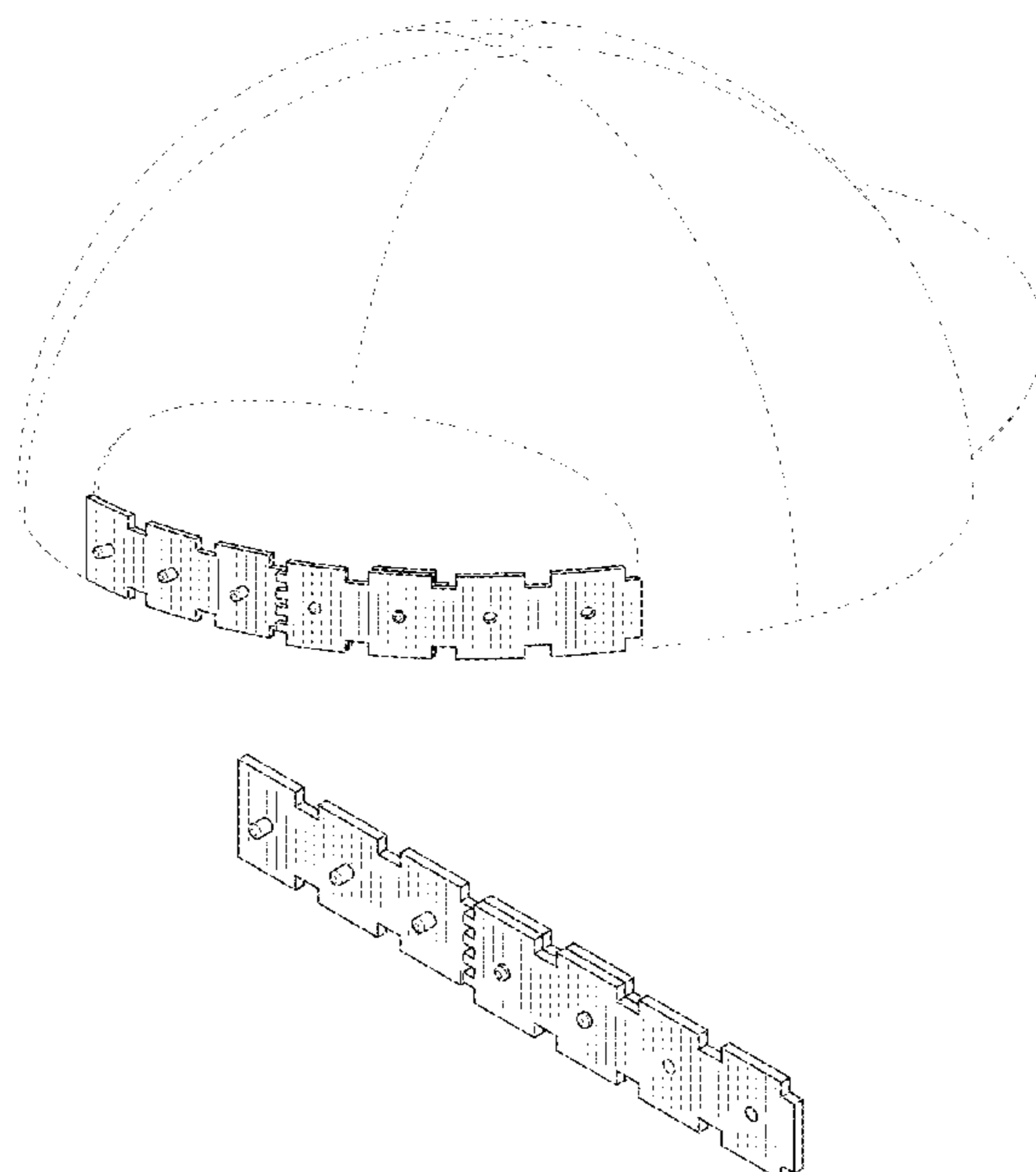
(57) **CLAIM**

The ornamental design for a snapback-style size adjustment strap, as shown and described.

**DESCRIPTION**

FIG. 1 is a front perspective view of a snapback-style size adjustment strap in use;  
FIG. 2 is a front perspective view thereof;  
FIG. 3 is a front elevation view thereof;  
FIG. 4 is a rear elevation view thereof;  
FIG. 5 is a left side elevation view thereof;  
FIG. 6 is a right side elevation view thereof;  
FIG. 7 is a top plan view thereof; and,  
FIG. 8 is a bottom plan view thereof.  
The broken lines shown in the drawings that illustrate a hat form no part of the claimed design.

**1 Claim, 3 Drawing Sheets**



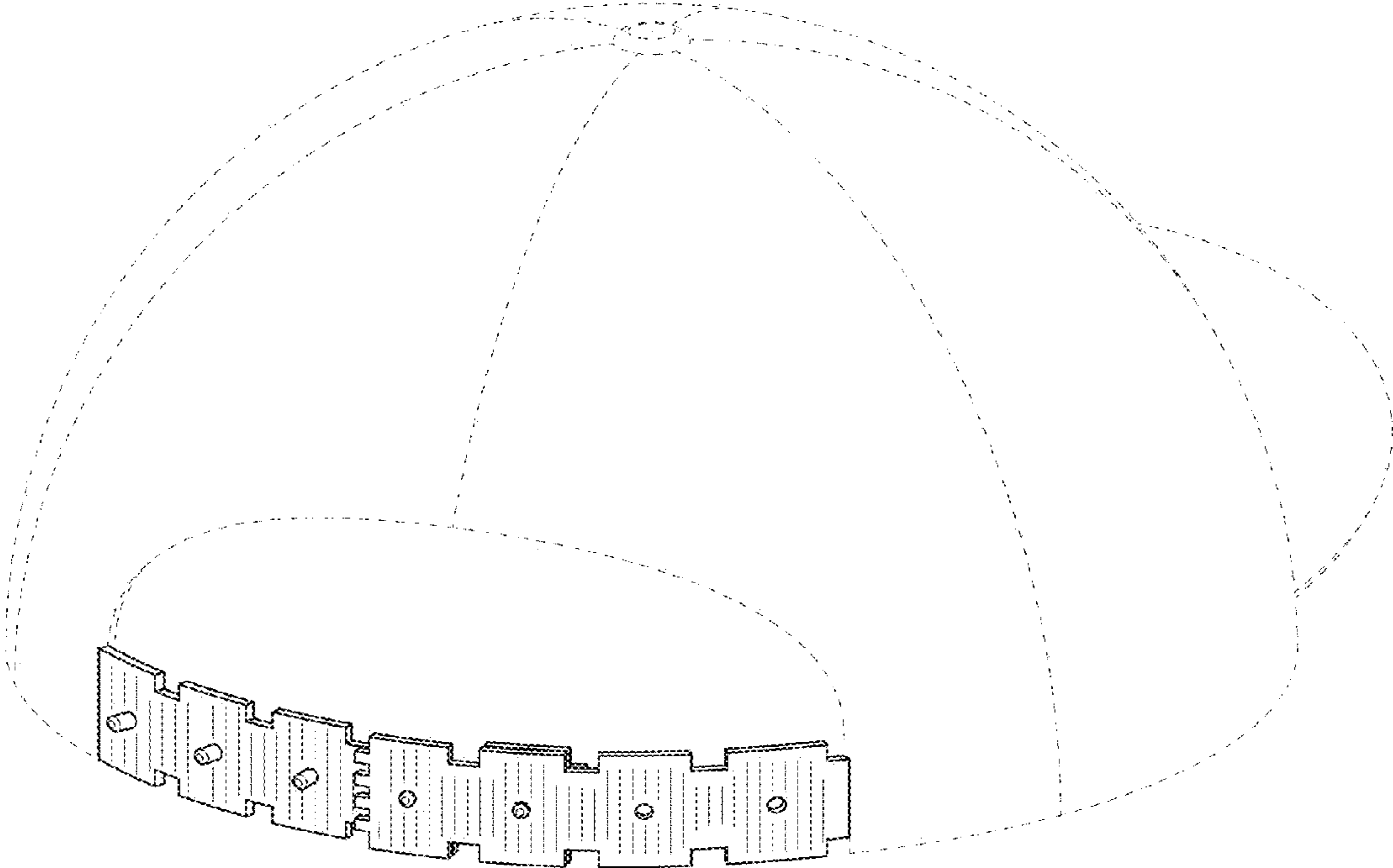


FIG. 1

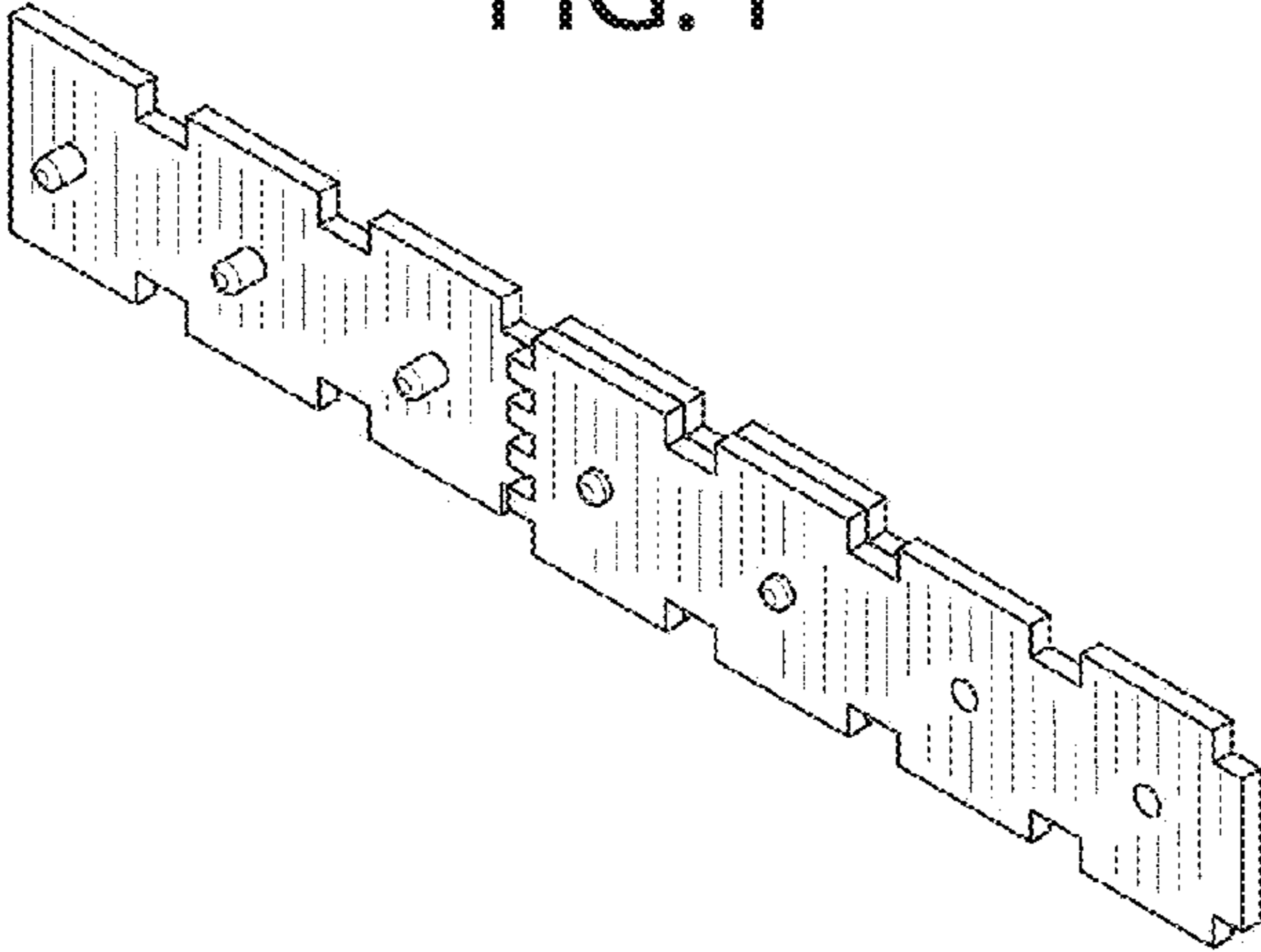


FIG. 2

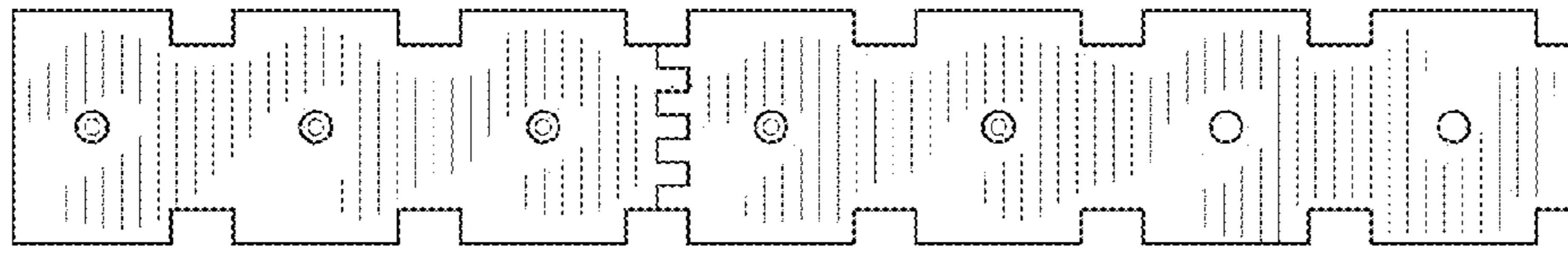


FIG. 3

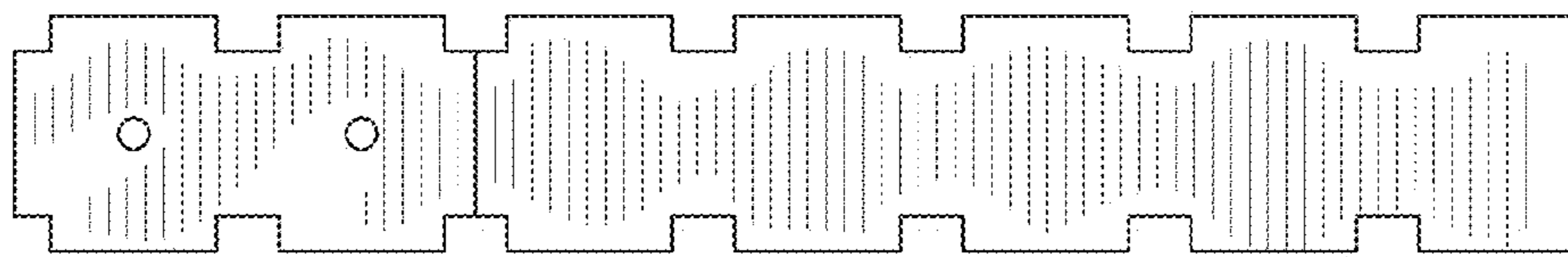


FIG. 4



FIG. 5



FIG. 6

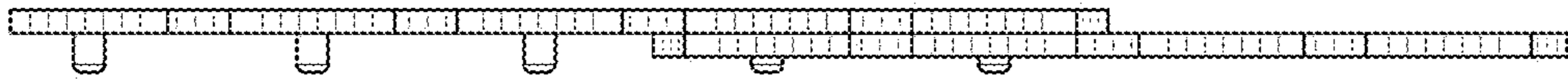


FIG. 7

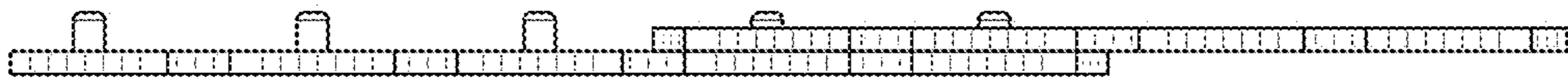


FIG. 8