



US00D754949S

(12) **United States Design Patent**
Lu

(10) **Patent No.:** **US D754,949 S**
(45) **Date of Patent:** **** May 3, 2016**

(54) **BIB**
(71) Applicant: **Fang-Ching Lu**, Taoyuan County (TW)
(72) Inventor: **Fang-Ching Lu**, Taoyuan County (TW)
(**) Term: **14 Years**
(21) Appl. No.: **29/486,333**
(22) Filed: **Mar. 28, 2014**
(51) **LOC (10) Cl.** **02-02**
(52) **U.S. Cl.**
USPC **D2/864**; D2/861
(58) **Field of Classification Search**
USPC D2/860–864, 823, 824, 826; D24/122,
D24/123, 121, 224; D23/274, 302, 295,
D23/309, 200; 4/144.1–144.4, 459, 460;
604/317, 318, 334, 329, 331; 600/573;
D9/453, 449, 447, 440, 436, 435, 434,
D9/516, 547, 549, 560, 572, 573; D7/398,
D7/397, 608, 602, 619.1, 629; 222/570,
222/569, 544, 548, 562, 157, 158, 465.1,
222/475; 62/530
CPC A41B 13/103; A41B 13/10
See application file for complete search history.

(56) **References Cited**

U.S. PATENT DOCUMENTS

D283,918 S * 5/1986 Jacobson 251/10
D291,650 S * 9/1987 Monzen D24/128

D332,552 S * 1/1993 Lynch D7/505
5,422,076 A * 6/1995 Jones A61B 10/007
206/569
D459,806 S * 7/2002 Webb D24/133
D493,024 S * 7/2004 Bergkvist D2/860
D530,887 S * 10/2006 Harless D2/861
D583,933 S * 12/2008 Finney D24/121
D667,299 S * 9/2012 Dom D9/434
2011/0071434 A1 * 3/2011 Higgins A61B 10/007
600/573
2015/0272229 A1 * 10/2015 Lu A41B 13/103
2/49.2

* cited by examiner

Primary Examiner — David Muller
Assistant Examiner — Nathan Johnston

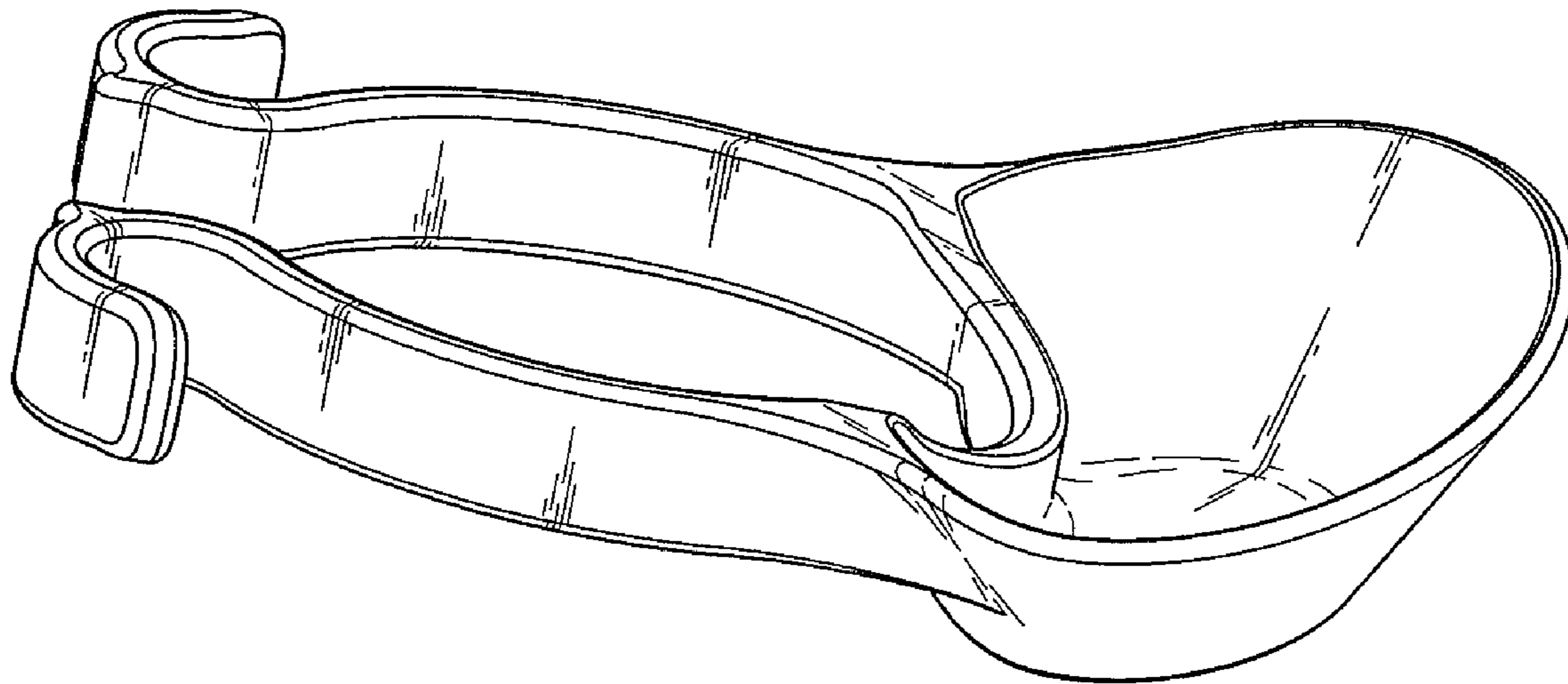
(57) **CLAIM**

I claim the ornamental design for a bib, as shown, and described.

DESCRIPTION

FIG. 1 is a perspective view of a bib showing my new design;
FIG. 2 is a front elevation view thereof;
FIG. 3 is a rear elevation view thereof;
FIG. 4 is a left side elevation view thereof;
FIG. 5 is a right side elevation view thereof;
FIG. 6 is a top plan view thereof; and,
FIG. 7 is a bottom plan view thereof.

1 Claim, 7 Drawing Sheets



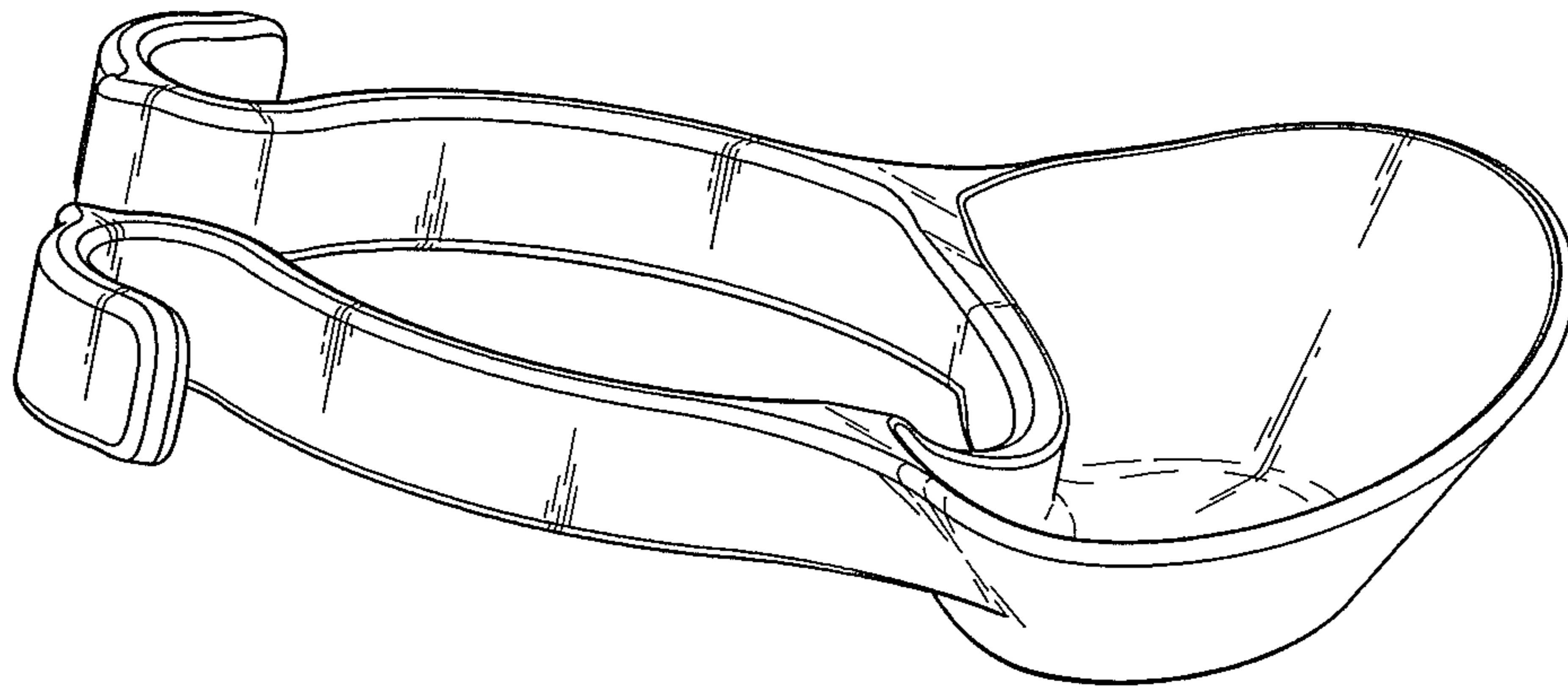


FIG. 1

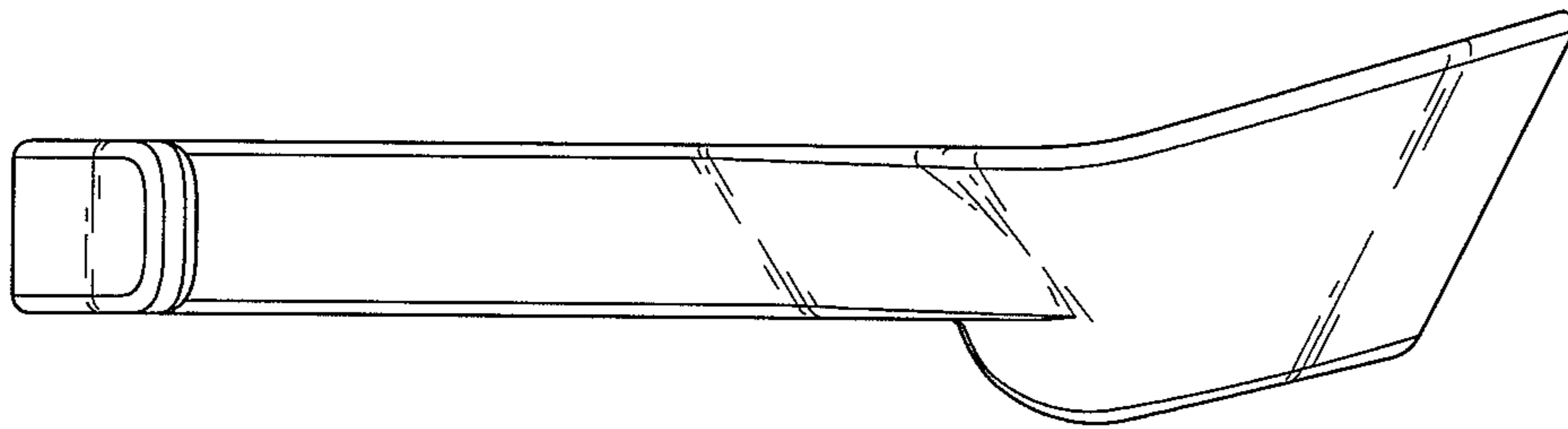


FIG. 2

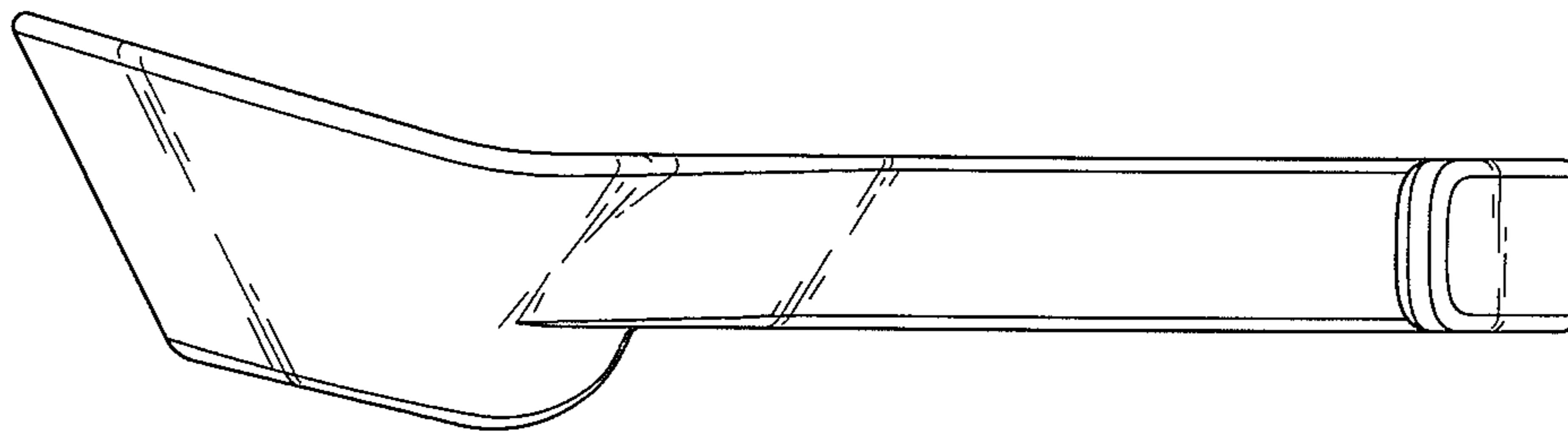


FIG. 3

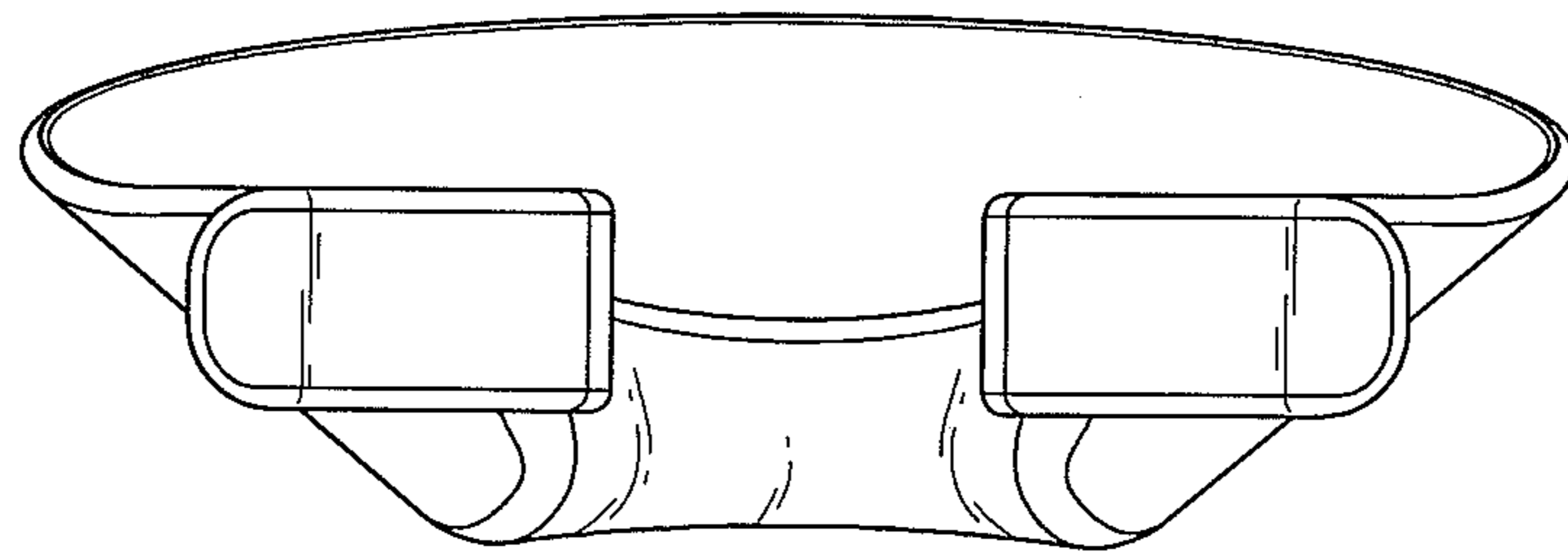


FIG. 4

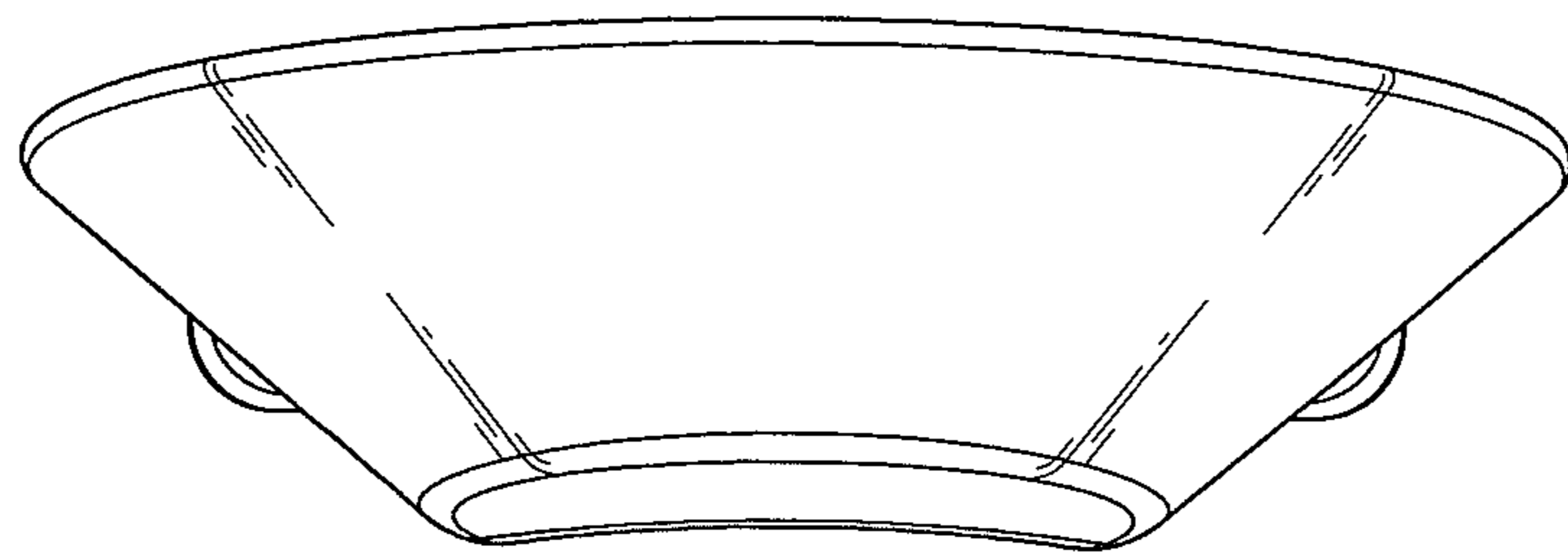


FIG. 5

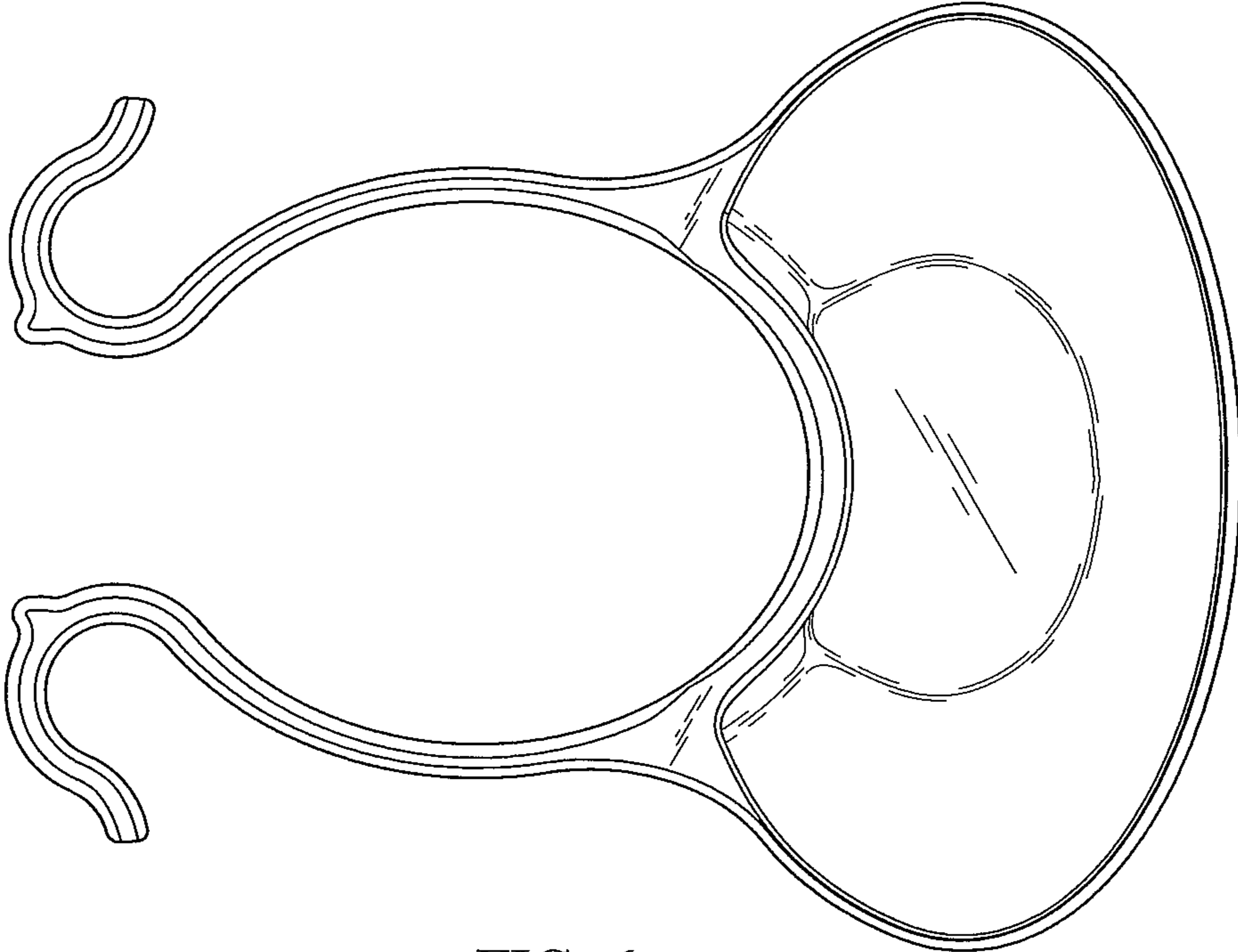


FIG. 6

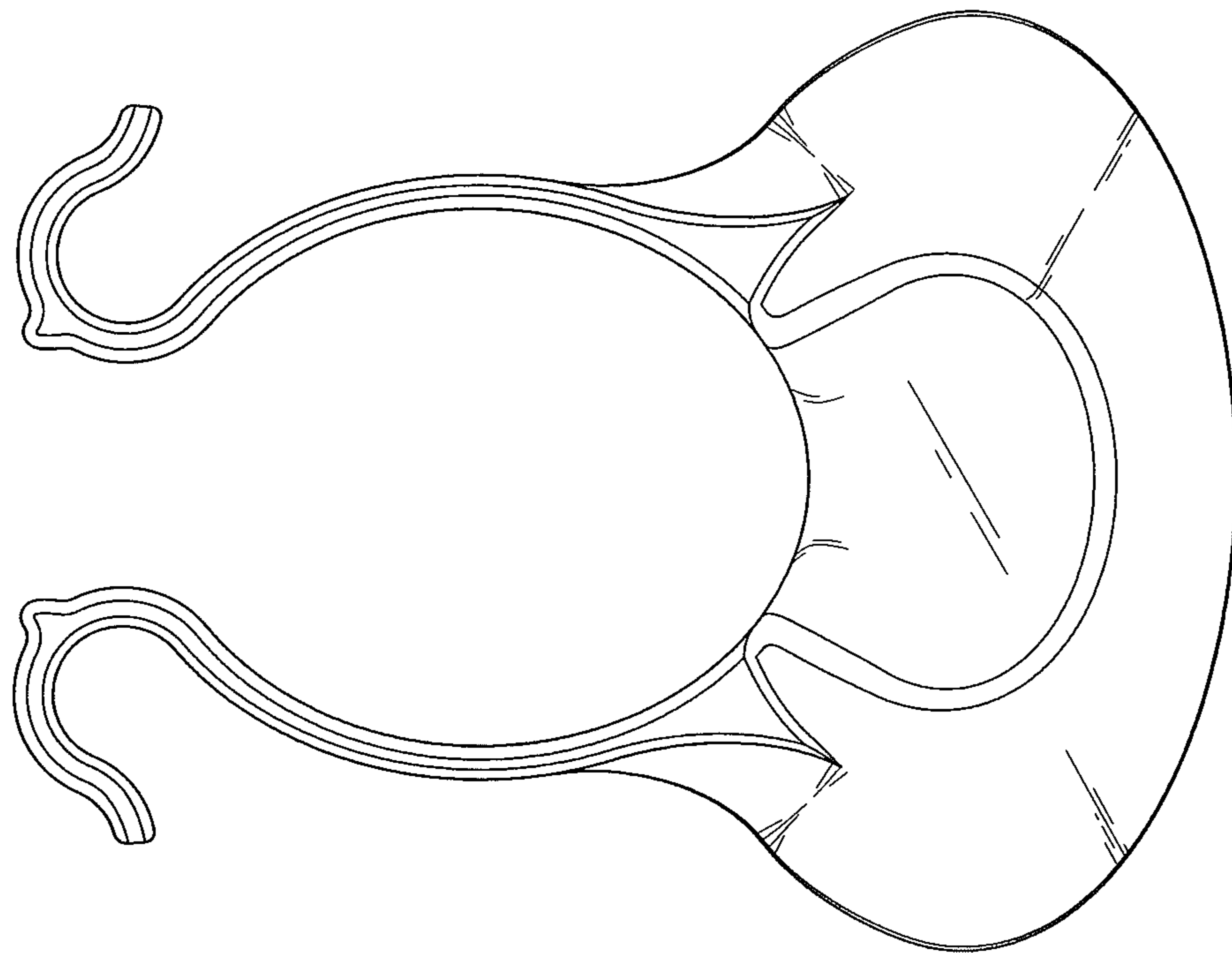


FIG. 7