



US00D754942S

(12) **United States Design Patent**
Pawlowski

(10) **Patent No.:** **US D754,942 S**
(45) **Date of Patent:** **** May 3, 2016**

- (54) **DEBOSSSED CONFECTIONERY PIECE**
- (71) Applicant: **WM. WRIGLEY JR. COMPANY**,
Chicago, IL (US)
- (72) Inventor: **Rocco Pawlowski**, Wheaton, IL (US)
- (73) Assignee: **WM. WRIGLEY JR. COMPANY**,
Chicago, IL (US)
- (**) Term: **14 Years**
- (21) Appl. No.: **29/508,115**
- (22) Filed: **Nov. 3, 2014**
- (51) **LOC (10) Cl.** **01-01**
- (52) **U.S. Cl.**
USPC **D1/127**
- (58) **Field of Classification Search**
USPC D1/100-130, 199; D24/101, 102;
426/3, 5, 87, 89, 92, 103, 104, 129,
426/138, 144, 249, 383, 512, 516, 660,
426/808; 424/467; D25/113, 119, 121-132;
D21/499; D5/55-58, 62
CPC A23G 4/02; A23G 4/06; A23G 4/08;
A23G 4/10; A23G 4/20; A23G 4/00; A23G
3/38; A23G 3/42; A23G 3/54; A23K 1/164
See application file for complete search history.

- (56) **References Cited**
U.S. PATENT DOCUMENTS
1,155,791 A * 10/1915 Cabell A45C 11/18
206/39
D293,203 S * 12/1987 Hertensteiner 248/68.1
D318,558 S * 7/1991 Piano D1/127
D361,222 S * 8/1995 Teichmann D34/1

- 5,538,742 A * 7/1996 McHale A23G 4/043
425/130
- D403,470 S * 12/1998 Litton D28/82
- 6,012,685 A * 1/2000 Saraceno, Jr. H02G 1/00
248/68.1
- 6,595,476 B1 * 7/2003 Edwards E04B 9/006
248/200.1
- D597,256 S * 7/2009 Liden D28/83
- D600,024 S * 9/2009 McGuire D4/111
- D606,367 S * 12/2009 Harrod D7/628
- D691,492 S * 10/2013 Rathbone D9/711
- D699,916 S * 2/2014 Rodgers D1/127
- D717,518 S * 11/2014 Leder D1/114
- D717,519 S * 11/2014 Leder D1/114

* cited by examiner

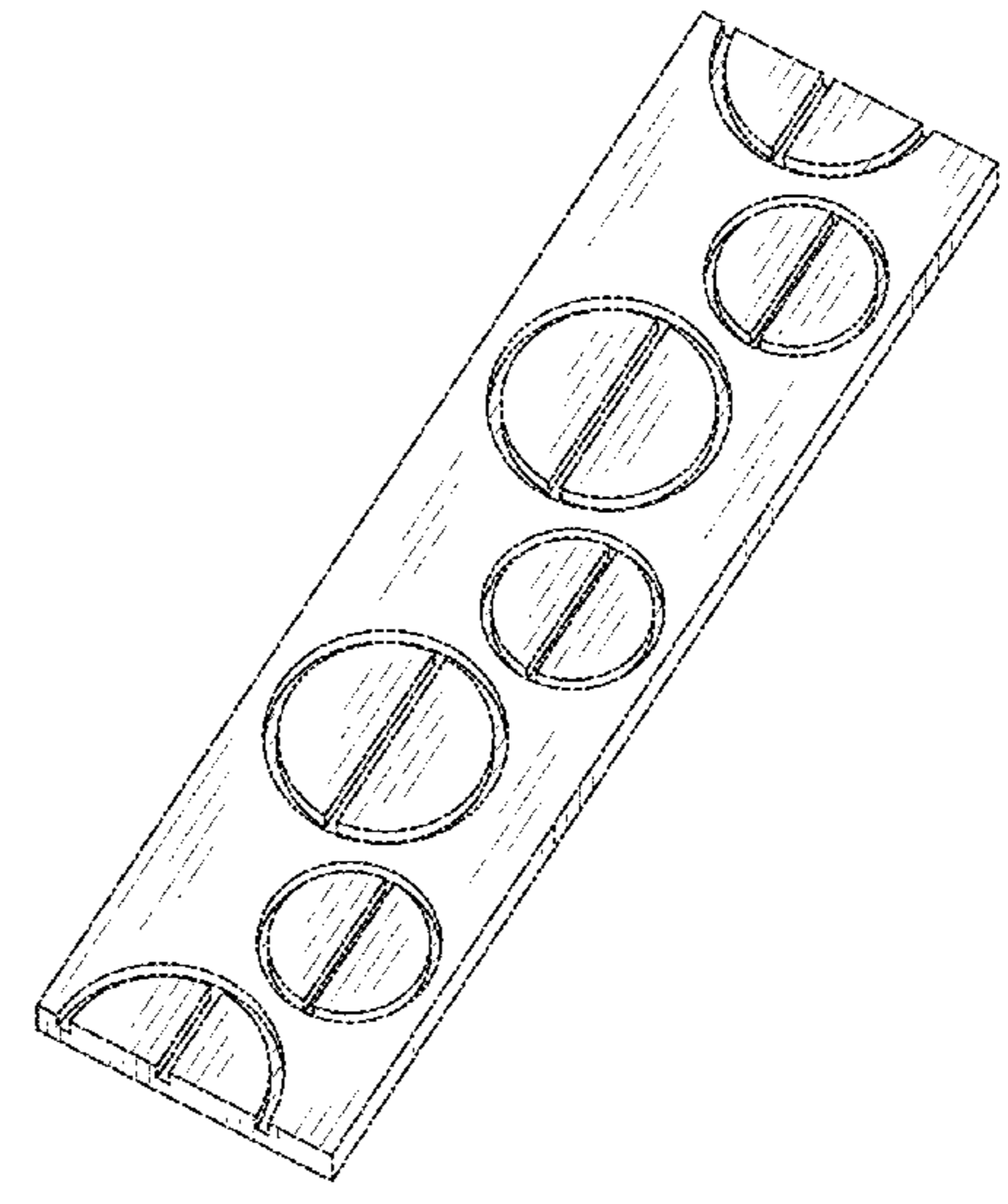
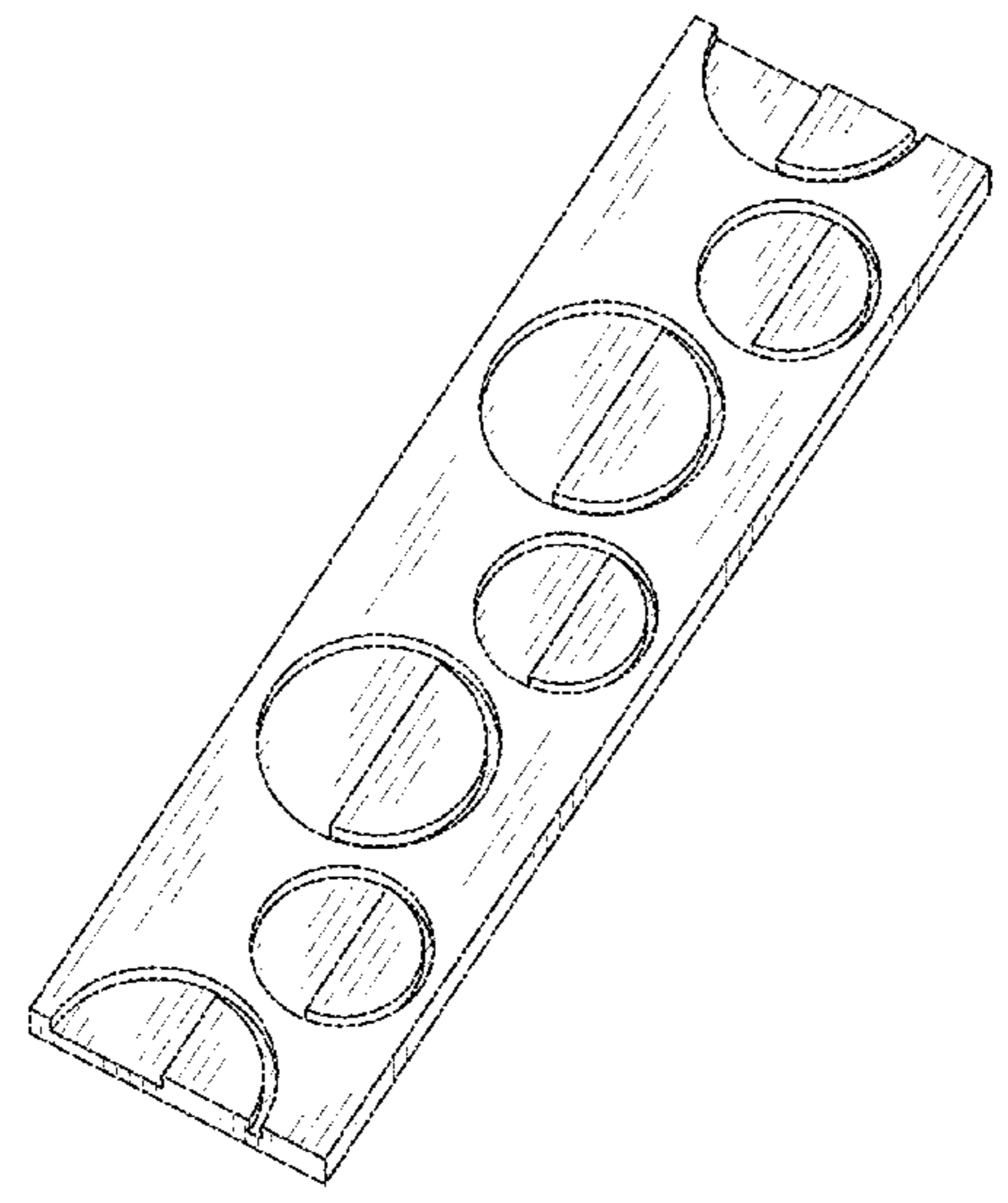
Primary Examiner — Garth Rademaker
Assistant Examiner — Katie Mroczka

(57) **CLAIM**
The ornamental design for a debossed confectionery piece, as shown and described.

DESCRIPTION

FIG. 1 is a right perspective view of a debossed confectionery piece showing one embodiment of my new design;
FIG. 2 is a front elevation view of FIG. 1;
FIG. 3 is a rear elevation view of FIG. 1 and FIG. 8;
FIG. 4 is a left side elevation view of FIG. 1 and FIG. 8;
FIG. 5 is a right side elevation view of FIG. 1 and FIG. 8;
FIG. 6 is a top plan view of FIG. 1;
FIG. 7 is a bottom plan view of FIG. 1;
FIG. 8 is a right perspective view of a debossed confectionery piece showing a second embodiment of my new design;
FIG. 9 is a front elevation view of FIG. 8;
FIG. 10 is a top plan view of FIG. 8; and,
FIG. 11 is a bottom plan view of FIG. 8.

1 Claim, 3 Drawing Sheets



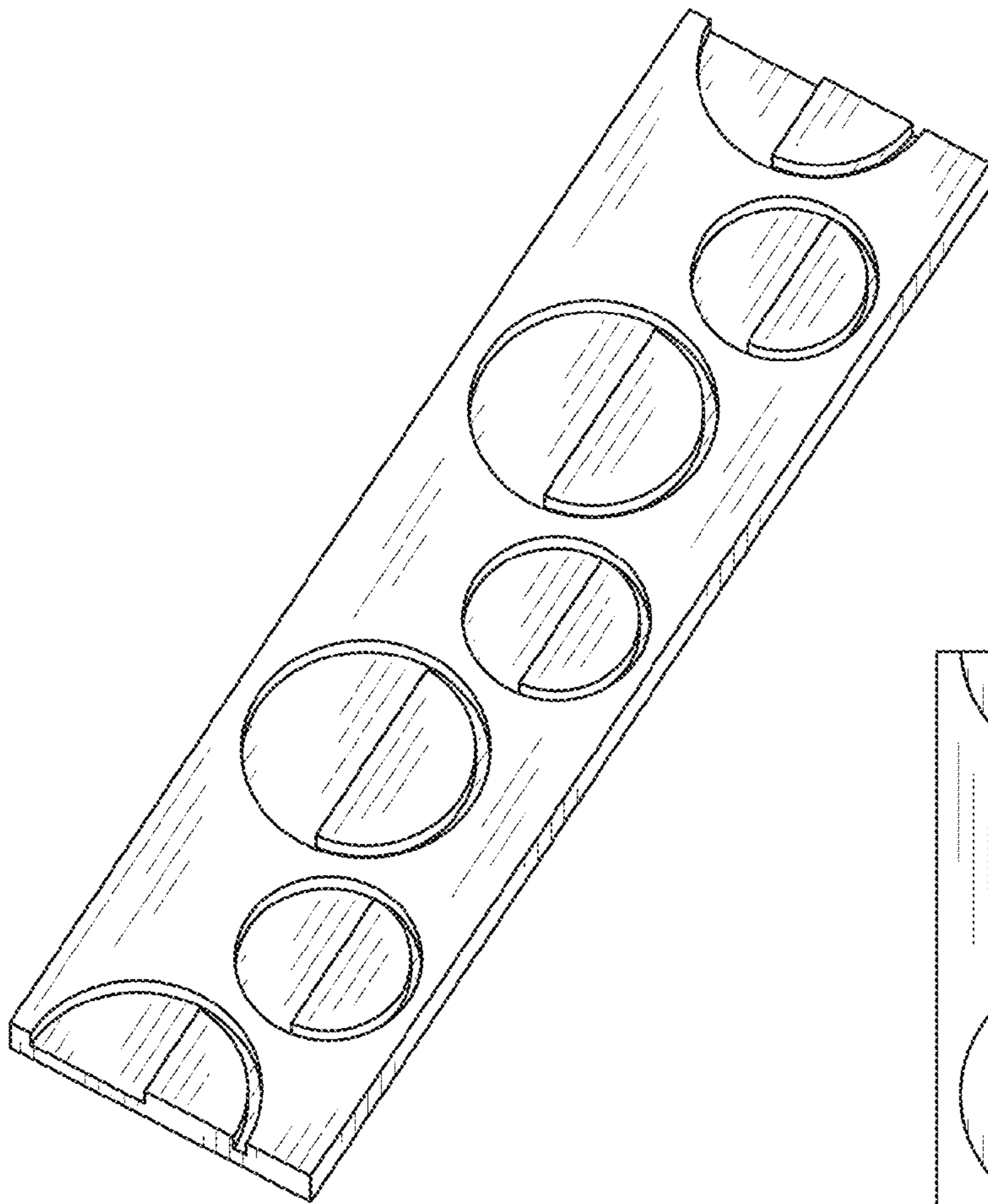


FIG. 1

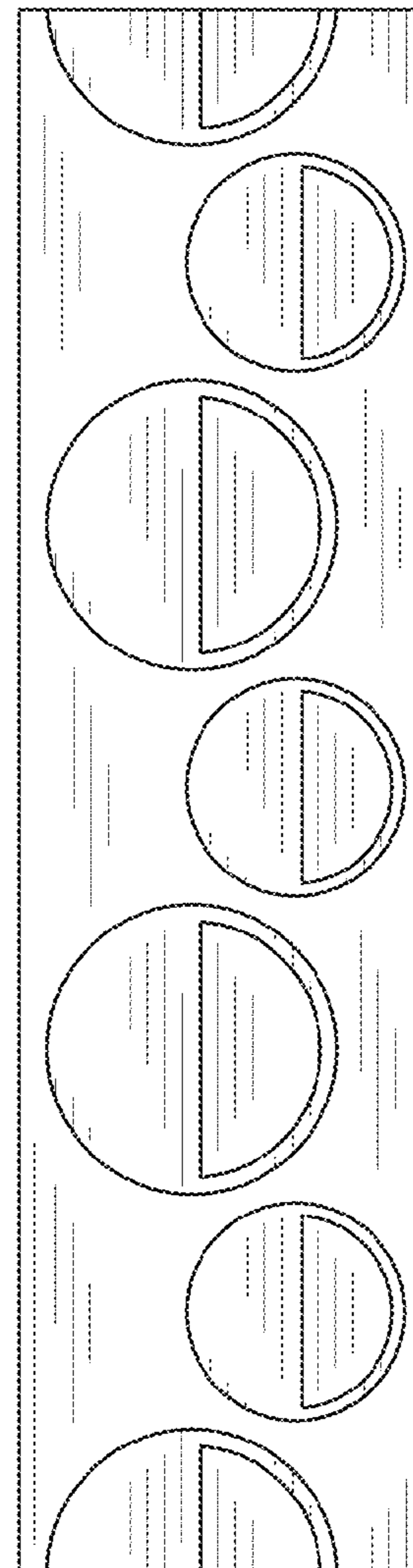


FIG. 2

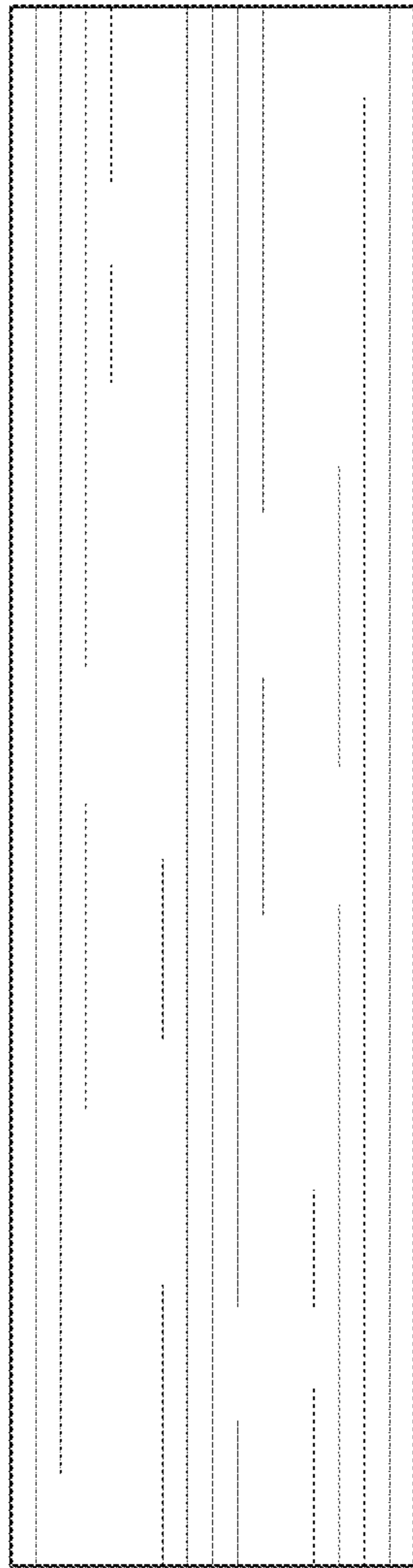


FIG. 3



FIG. 4



FIG. 5



FIG. 6



FIG. 7

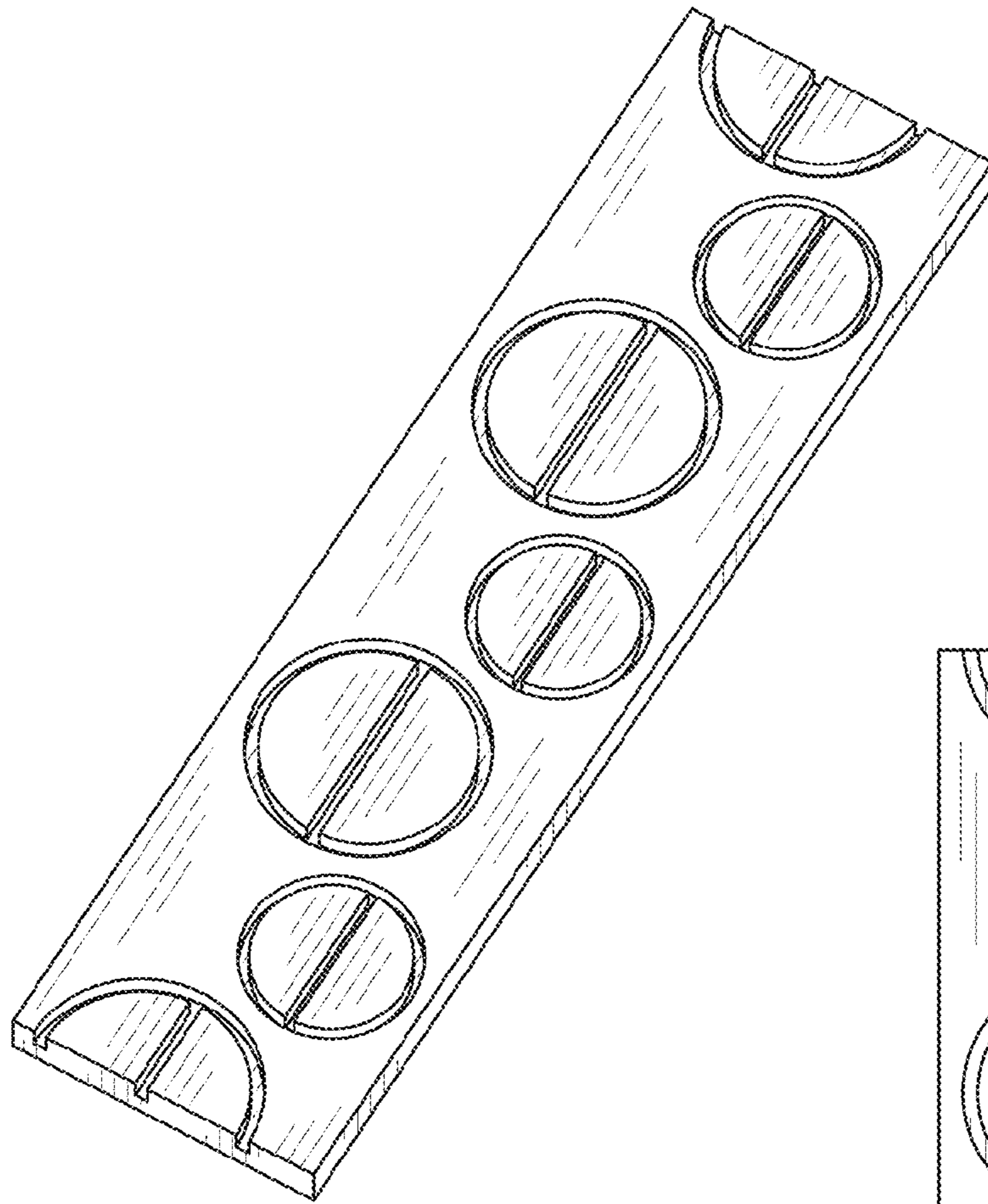


FIG. 8

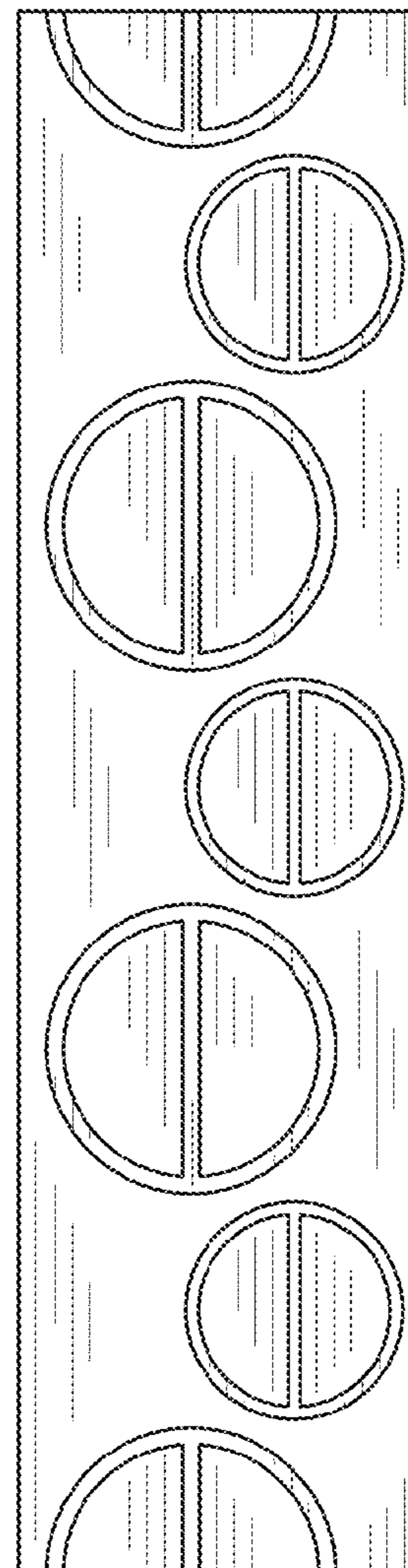


FIG. 9



FIG. 10

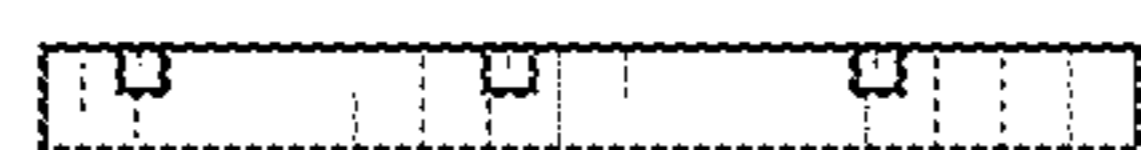


FIG. 11