



US00D754941S

(12) **United States Design Patent**
Pawlowski

(10) **Patent No.:** **US D754,941 S**

(45) **Date of Patent:** **** May 3, 2016**

(54) **DEBOSSSED CONFECTIONERY PIECE**

(71) Applicant: **WM. WRIGLEY JR. COMPANY,**
Chicago, IL (US)

(72) Inventor: **Rocco Pawlowski,** Wheaton, IL (US)

(73) Assignee: **WM. WRIGLEY JR. COMPANY,**
Chicago, IL (US)

(**) Term: **14 Years**

(21) Appl. No.: **29/508,112**

(22) Filed: **Nov. 3, 2014**

(51) **LOC (10) Cl.** **01-01**

(52) **U.S. Cl.**
USPC **D1/127**

(58) **Field of Classification Search**
USPC D1/100–130, 199; D24/101, 102;
426/3, 5, 87, 89, 92, 103, 104, 129,
426/138, 144, 249, 383, 512, 516, 660,
426/808; 424/467; D25/113, 119, 121–132;
D21/499; D5/55–58, 62
CPC A23G 4/02; A23G 4/06; A23G 4/08;
A23G 4/10; A23G 4/20; A23G 4/00; A23G
3/38; A23G 3/42; A23G 3/54; A23K 1/164
See application file for complete search history.

(56) **References Cited**

U.S. PATENT DOCUMENTS

1,855,145 A * 4/1932 Bartlett A23G 3/50
426/87
D135,276 S * 3/1943 Poutinen D9/667
D359,761 S * 6/1995 Sprague D19/75
D364,109 S * 11/1995 Stanuch D10/114.1
5,538,742 A * 7/1996 McHale A23G 4/043
425/130

D412,323 S * 7/1999 Kahn D14/488
D422,524 S * 4/2000 Tam D10/114.1
D514,273 S * 2/2006 Feilen D1/106
D516,447 S * 3/2006 Barnett D10/114.1
D641,948 S * 7/2011 Bruyey D1/127
D641,950 S * 7/2011 Bruyey D1/127
D667,309 S * 9/2012 Delaney D9/418
D717,518 S * 11/2014 Leder D1/114
D717,519 S * 11/2014 Leder D1/114
D717,520 S * 11/2014 Leder D1/114

* cited by examiner

Primary Examiner — Garth Rademaker

Assistant Examiner — Katie Mroczka

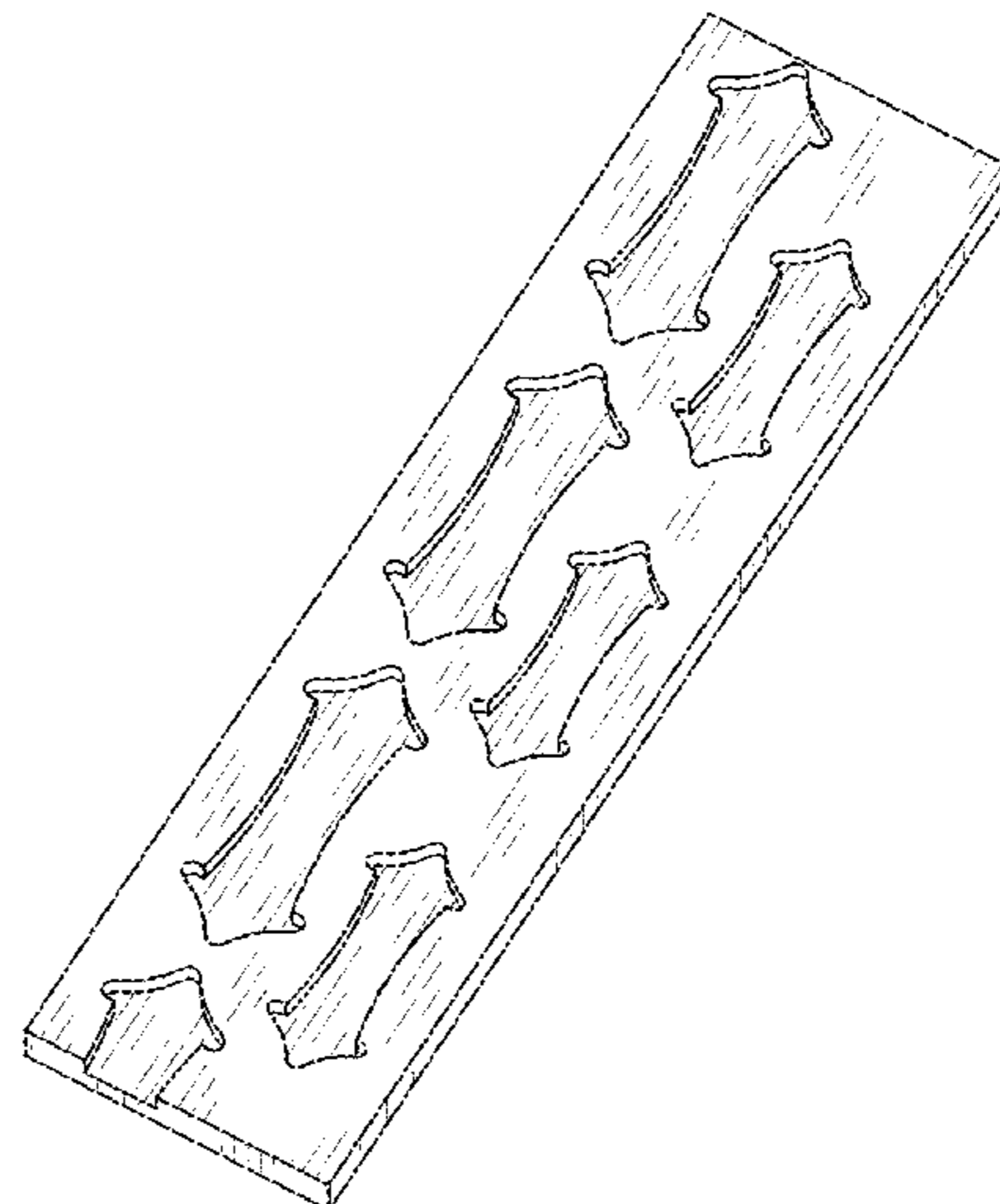
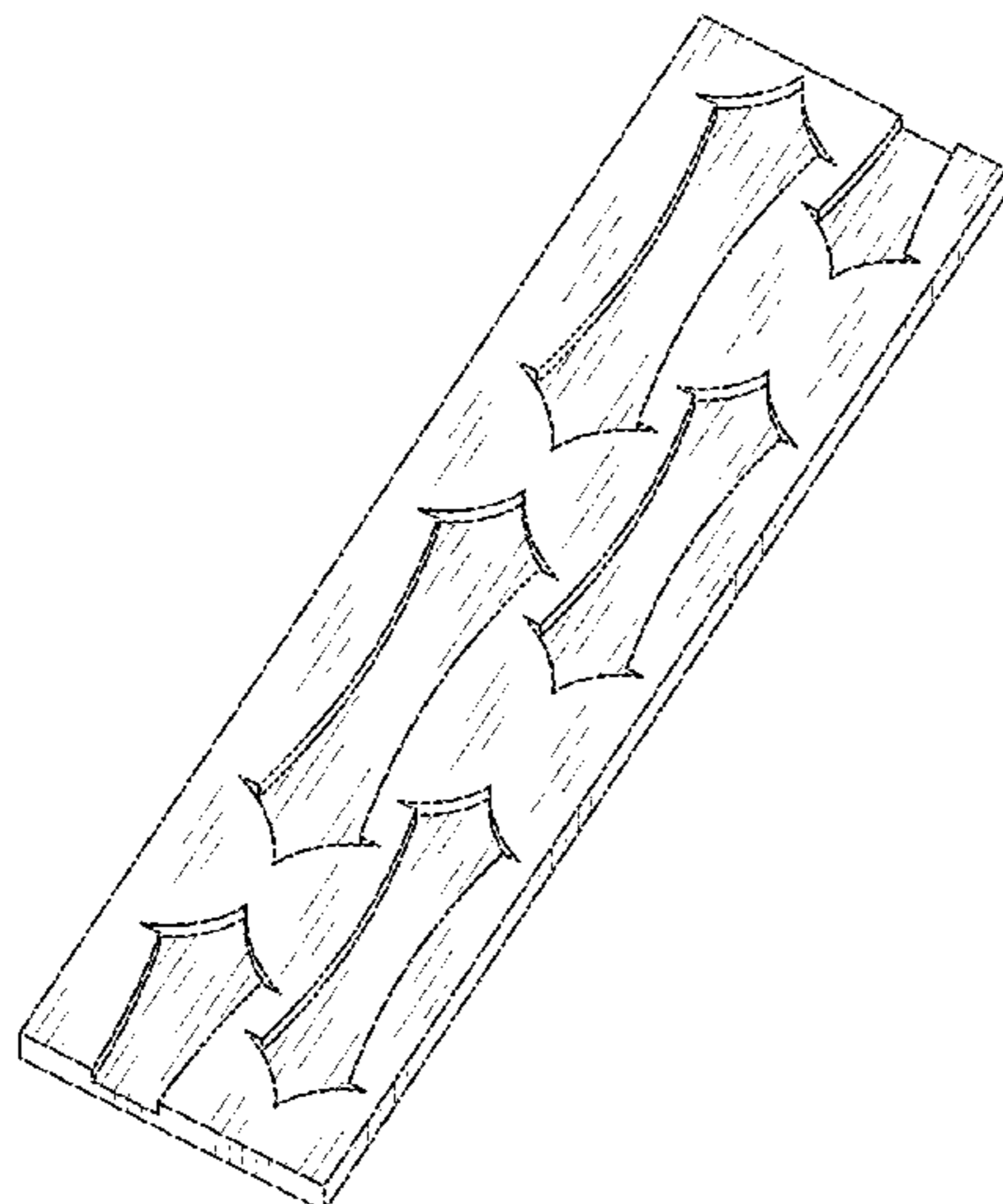
(57) **CLAIM**

The ornamental design for a debossed confectionery piece, as shown and described.

DESCRIPTION

FIG. 1 is a right perspective view of a debossed confectionery piece showing one embodiment of my new design;
FIG. 2 is a front elevation view of FIG. 1;
FIG. 3 is a rear elevation view of FIG. 1 and FIG. 8 and FIG. 12;
FIG. 4 is a left side elevation view of FIG. 1 and FIG. 8 and FIG. 12;
FIG. 5 is a right side elevation view of FIG. 1 and FIG. 8 and FIG. 12;
FIG. 6 is a top plan view of FIG. 1;
FIG. 7 is a bottom plan view of FIG. 1;
FIG. 8 is a right perspective view of a debossed confectionery piece showing a second embodiment of my new design;
FIG. 9 is a front elevation view of FIG. 8;
FIG. 10 is a top plan view of FIG. 8; and,
FIG. 11 is a bottom plan view of FIG. 8.

1 Claim, 3 Drawing Sheets



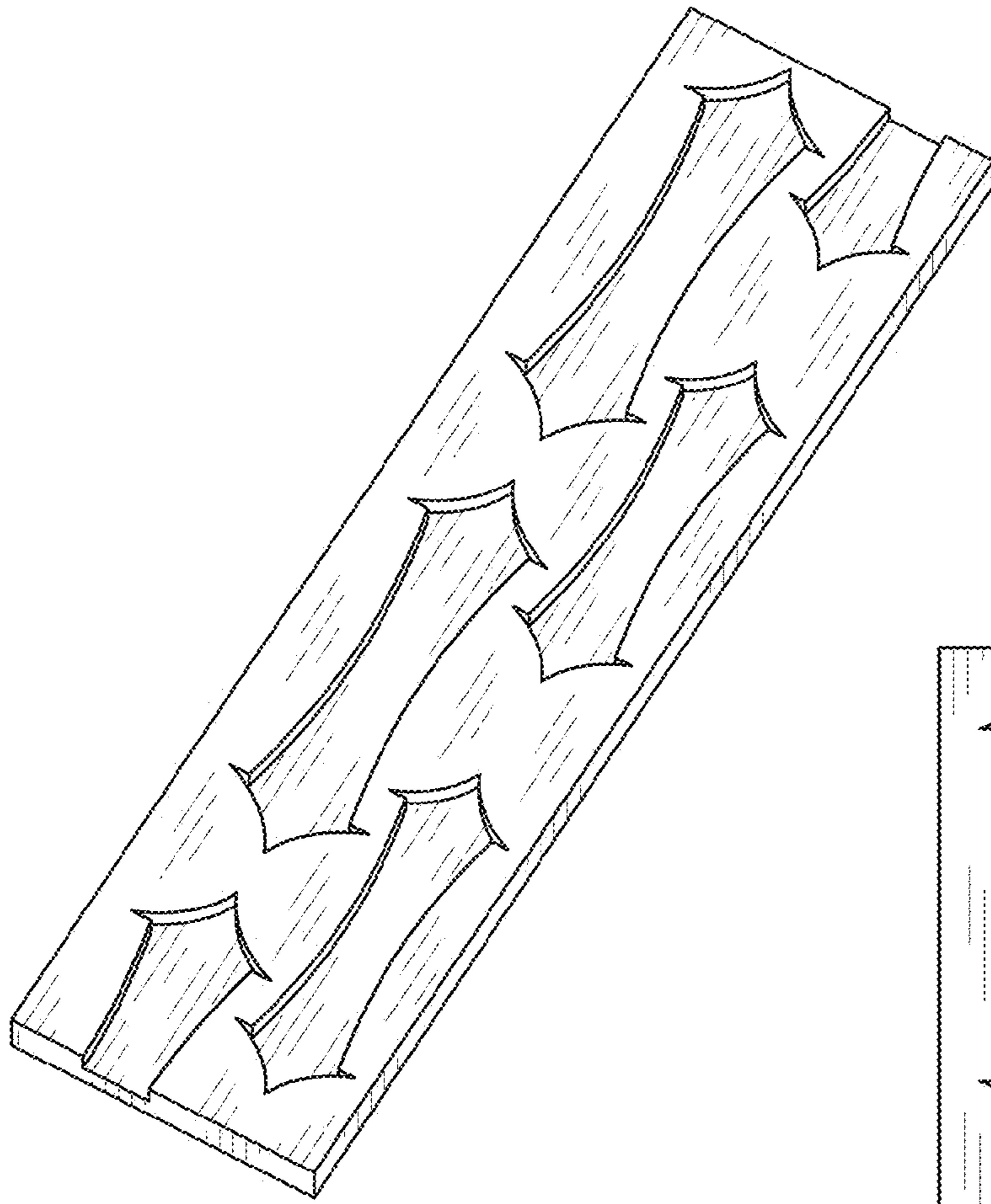


FIG. 1

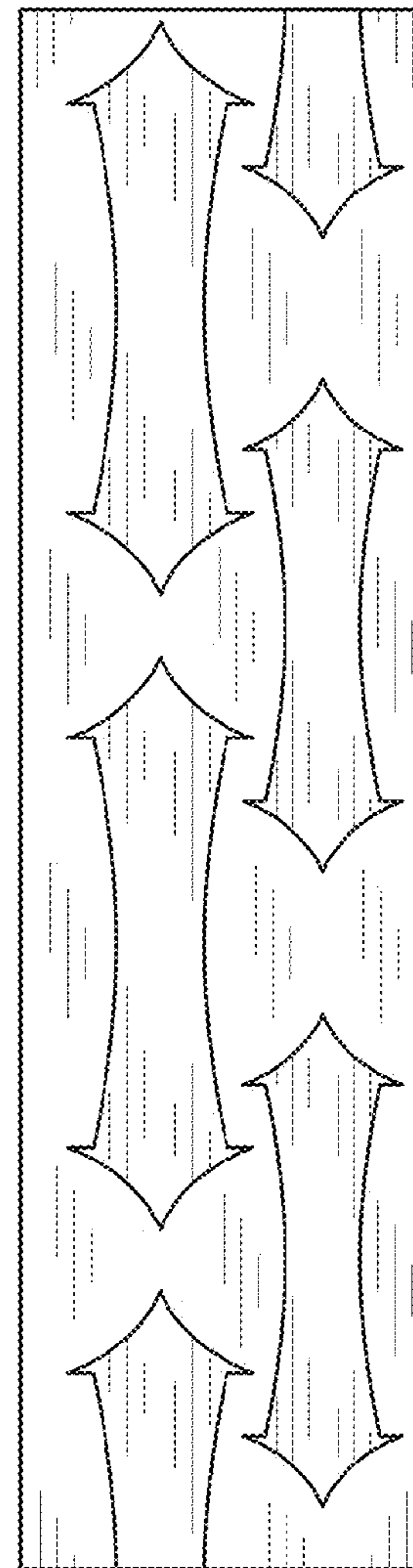


FIG. 2

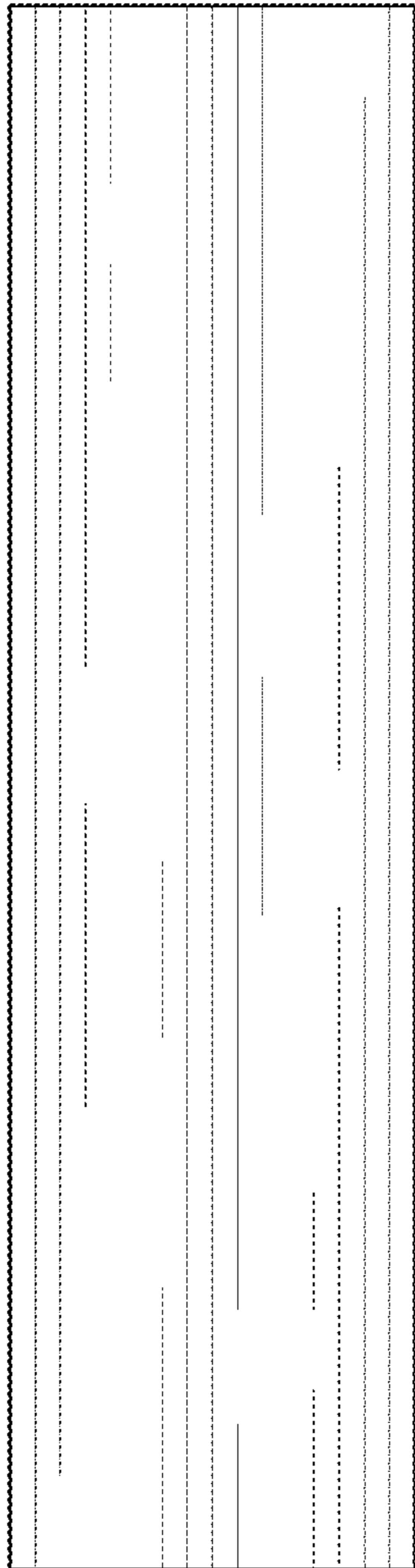


FIG. 3



FIG. 4



FIG. 5

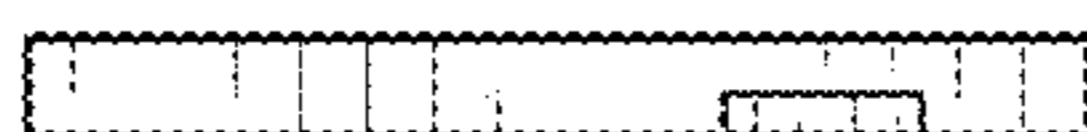


FIG. 6

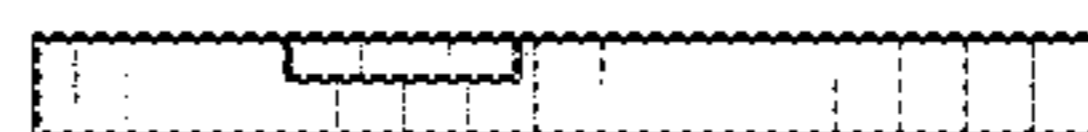


FIG. 7

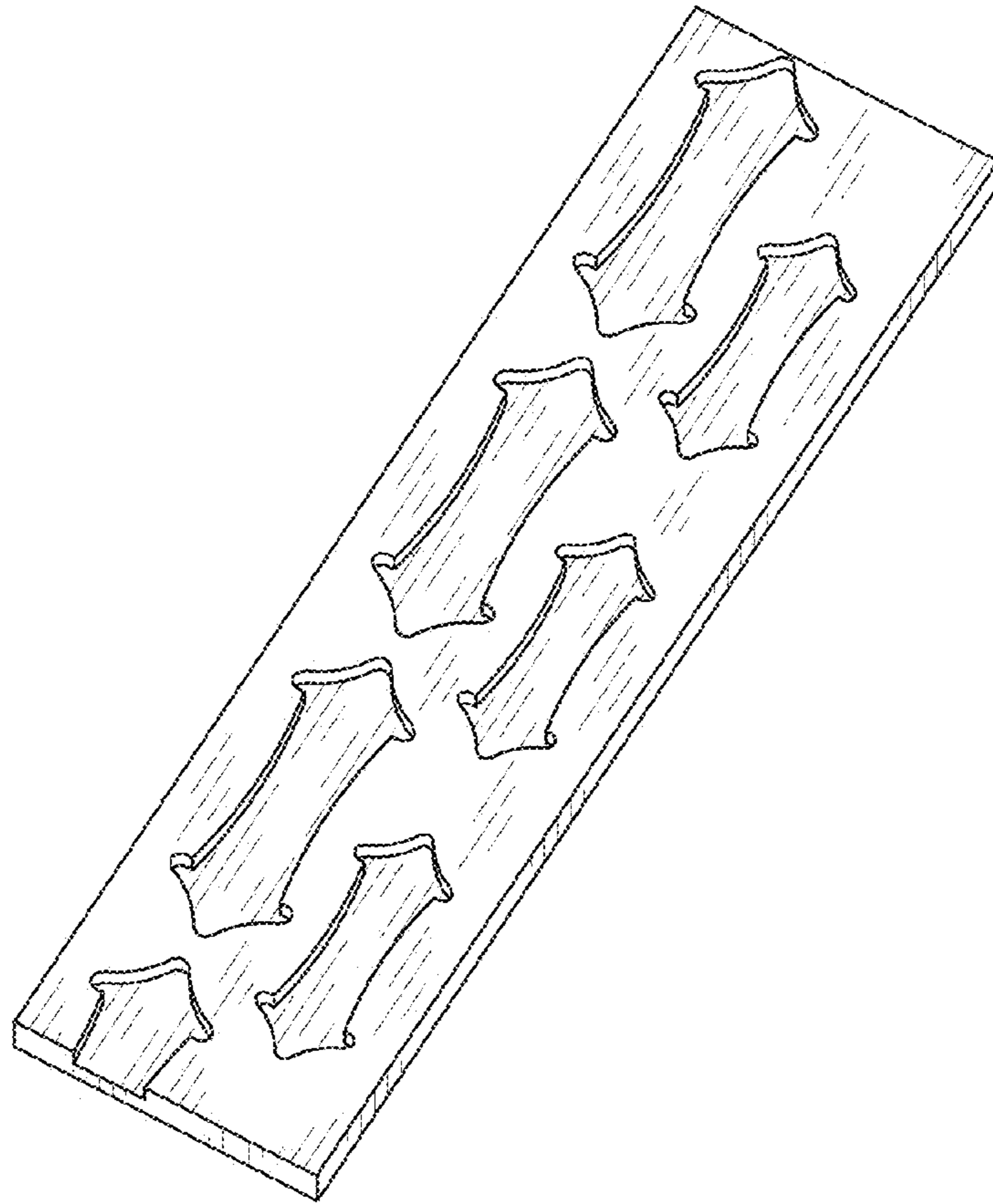


FIG. 8

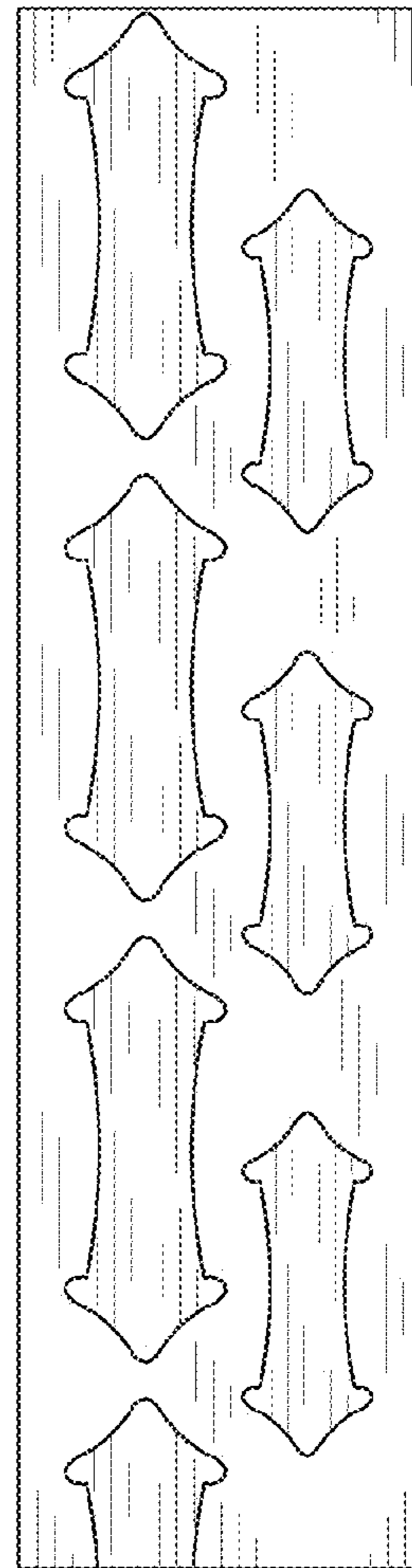


FIG. 9

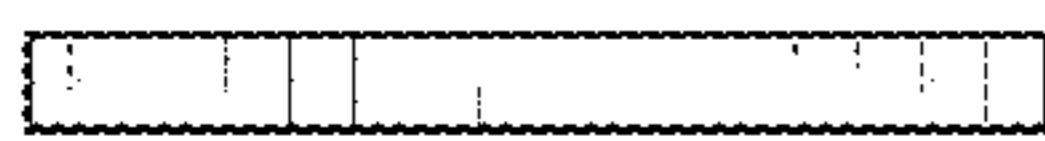


FIG. 10



FIG. 11