



US00D754940S

(12) **United States Design Patent**
Wen et al.

(10) **Patent No.:** **US D754,940 S**
(45) **Date of Patent:** **** Apr. 26, 2016**

(54) **FORK LIFT**

(71) Applicant: **BYD COMPANY LIMITED**,
Shenzhen, Guangdong (CN)
(72) Inventors: **Shaohua Wen**, Shenzhen (CN); **Wei Su**,
Shenzhen (CN); **Yongwei Chen**,
Shenzhen (CN); **Biao Xie**, Shenzhen
(CN); **Shouning Wang**, Shenzhen (CN)

(73) Assignee: **BYD Company Limited**, Shenzhen,
Guangdong (CN)

(**) Term: **14 Years**

(21) Appl. No.: **29/495,908**

(22) Filed: **Jul. 7, 2014**

(30) **Foreign Application Priority Data**

Jan. 7, 2014 (CN) 2014 3 0003556
(51) **LOC (10) Cl.** **12-05**
(52) **U.S. Cl.**
USPC **D34/34**
(58) **Field of Classification Search**
USPC D34/34; 180/89.12, 89.13, 89.17;
187/222, 237, 238, 414
CPC B66F 17/003; B66F 9/24; B66F 9/12;
B66F 9/0755; B66F 9/07572
See application file for complete search history.

(56) **References Cited**

U.S. PATENT DOCUMENTS

D579,620 S *	10/2008	Mori	D34/34
D586,974 S *	2/2009	Mori	D34/34
D587,425 S *	2/2009	Mori	D34/34
D663,502 S *	7/2012	Lin	D34/34
D681,902 S *	5/2013	Hiraoka	D34/34
D694,984 S *	12/2013	Kawakami	D34/34
D703,908 S *	4/2014	Hiraoka	D34/34
D731,737 S *	6/2015	Seimiya	D34/34

* cited by examiner

Primary Examiner — Cynthia Ramirez

(74) *Attorney, Agent, or Firm* — Finnegan, Henderson,
Farabow, Garrett & Dunner, LLP

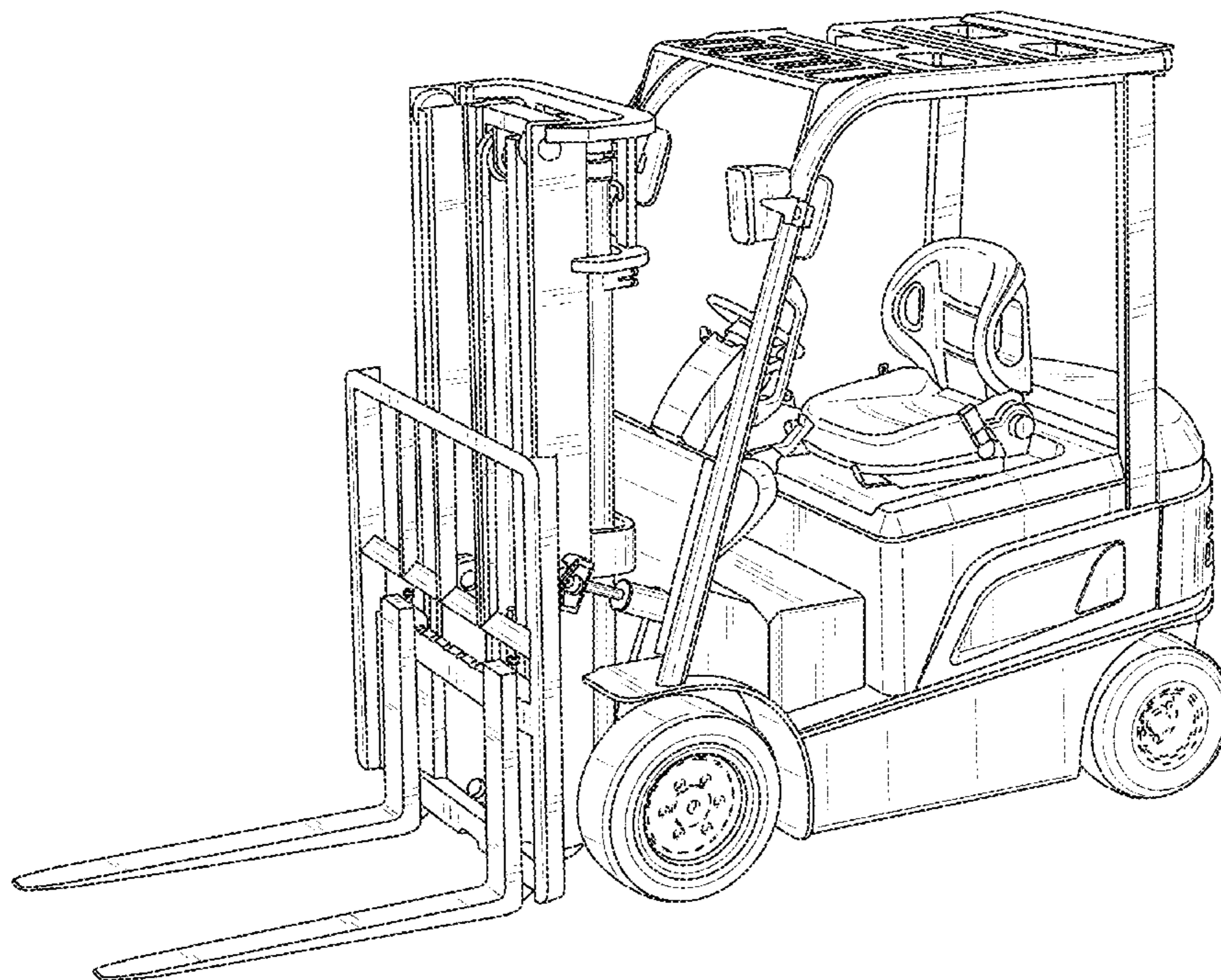
(57) **CLAIM**

The ornamental design for a fork lift, as shown and described.

DESCRIPTION

FIG. 1 is a front, left-side perspective view of a fork lift showing our new design;
FIG. 2 is a rear, right-side perspective view thereof;
FIG. 3 is a top, rear, and left-side perspective view thereof;
FIG. 4 is a front elevation view thereof;
FIG. 5 is a rear elevation view thereof;
FIG. 6 is a left-side elevation view thereof;
FIG. 7 is a right-side elevation view thereof; and,
FIG. 8 is top plan view thereof.
The bottom view of the fork lift is not visible during ordinary use and forms no part of the claimed design. The broken lines shown in the drawings illustrate portions of the fork lift that form no part of the claimed design.

1 Claim, 7 Drawing Sheets



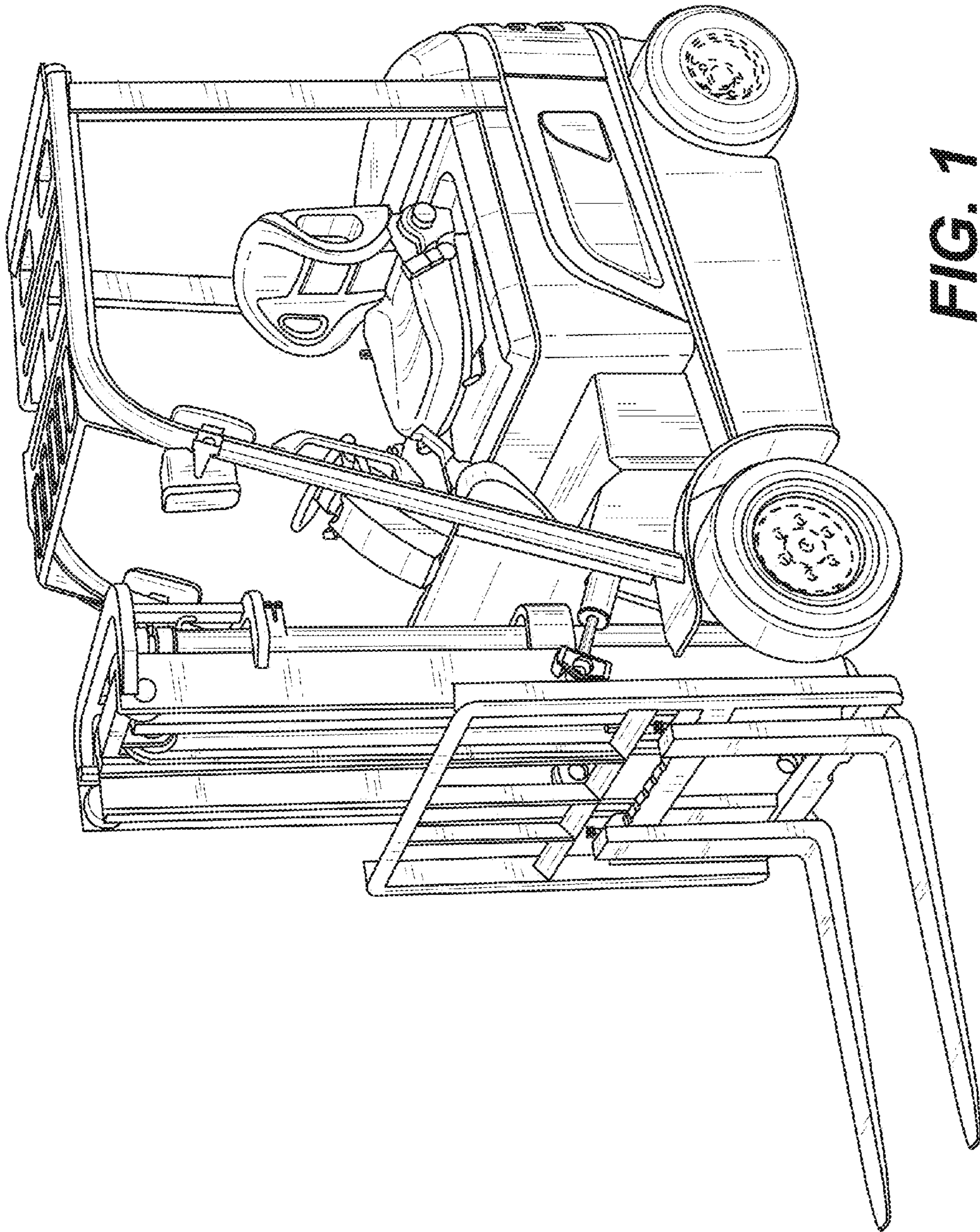


FIG. 1

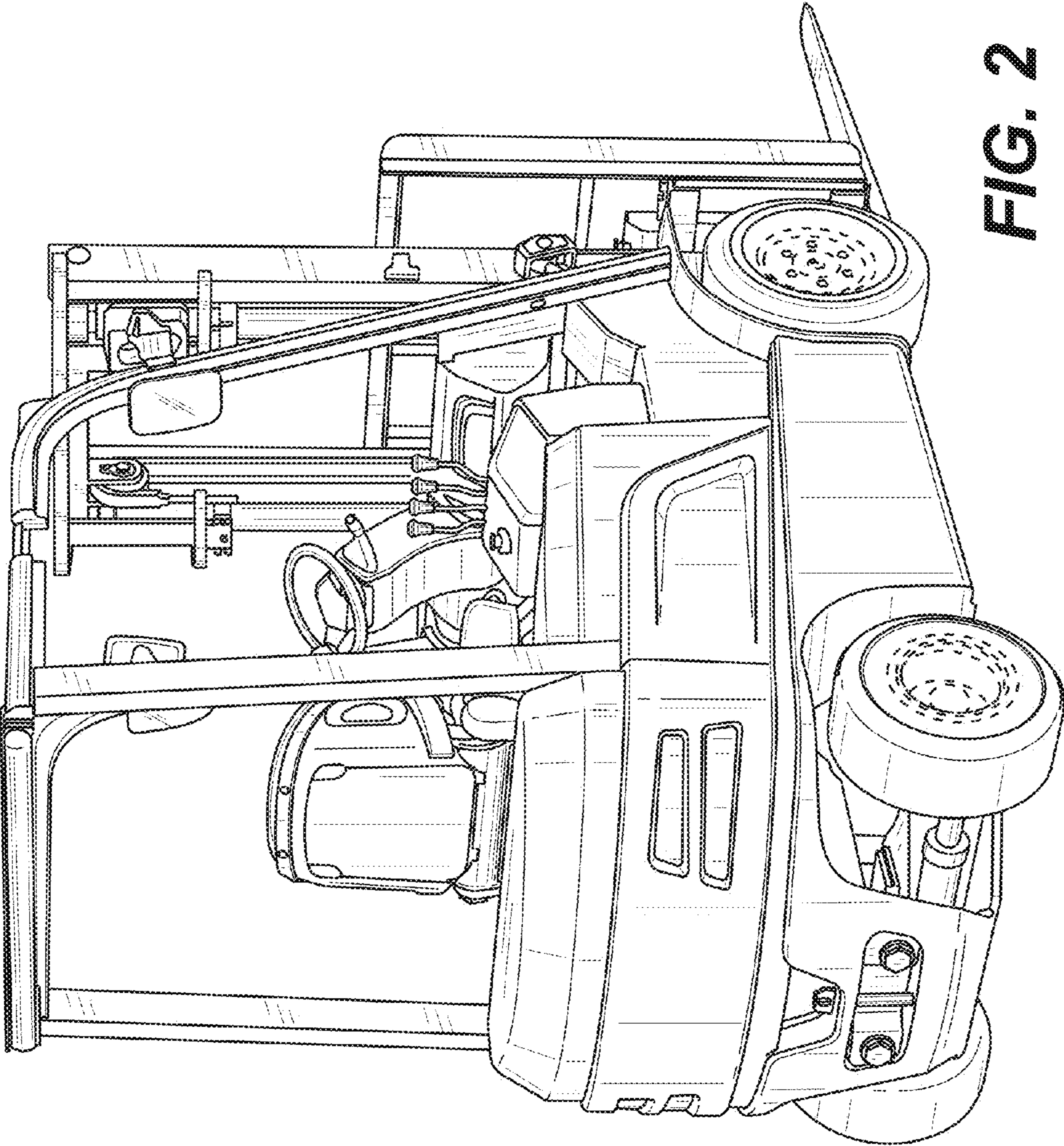


FIG. 2

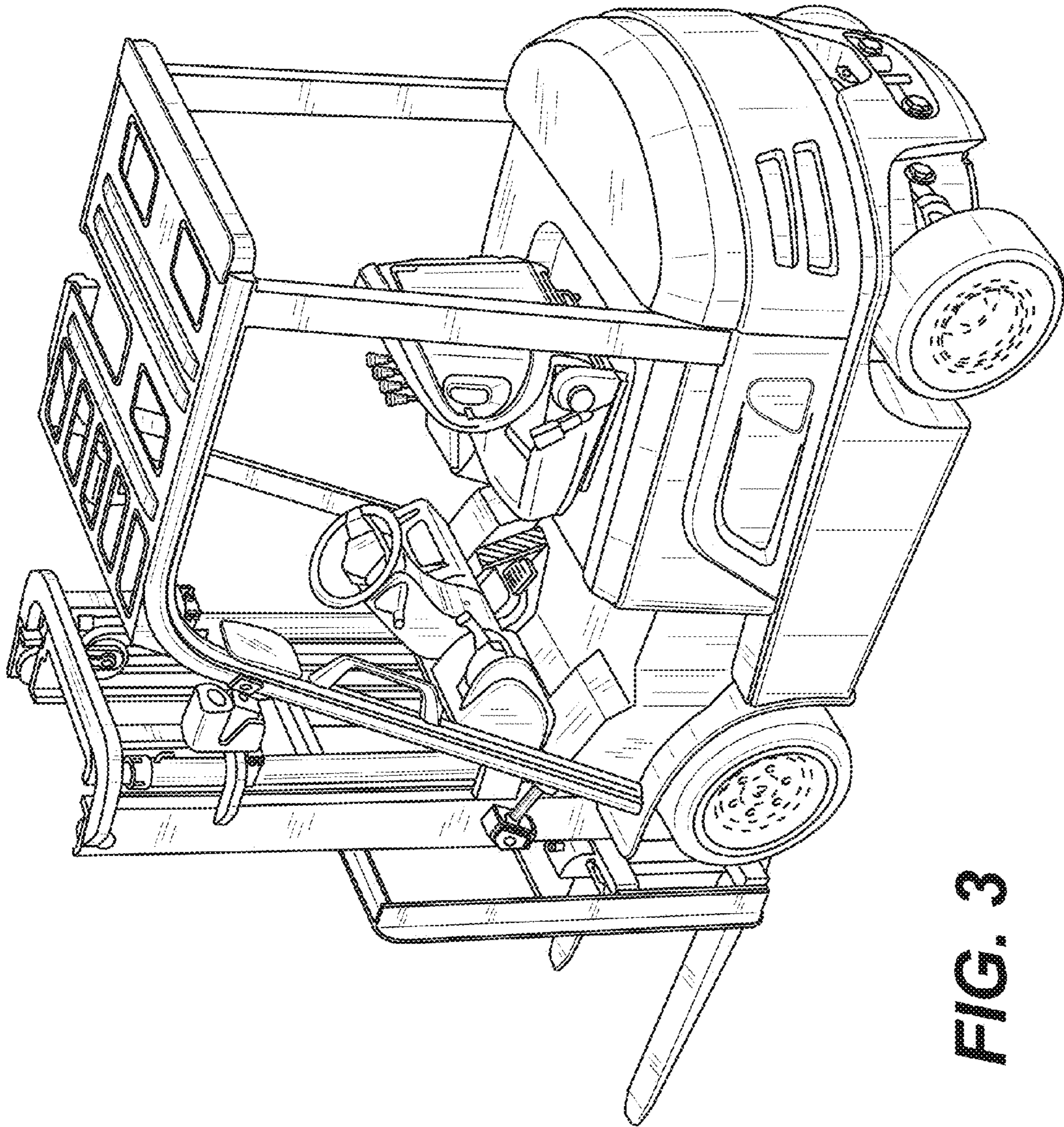


FIG. 3

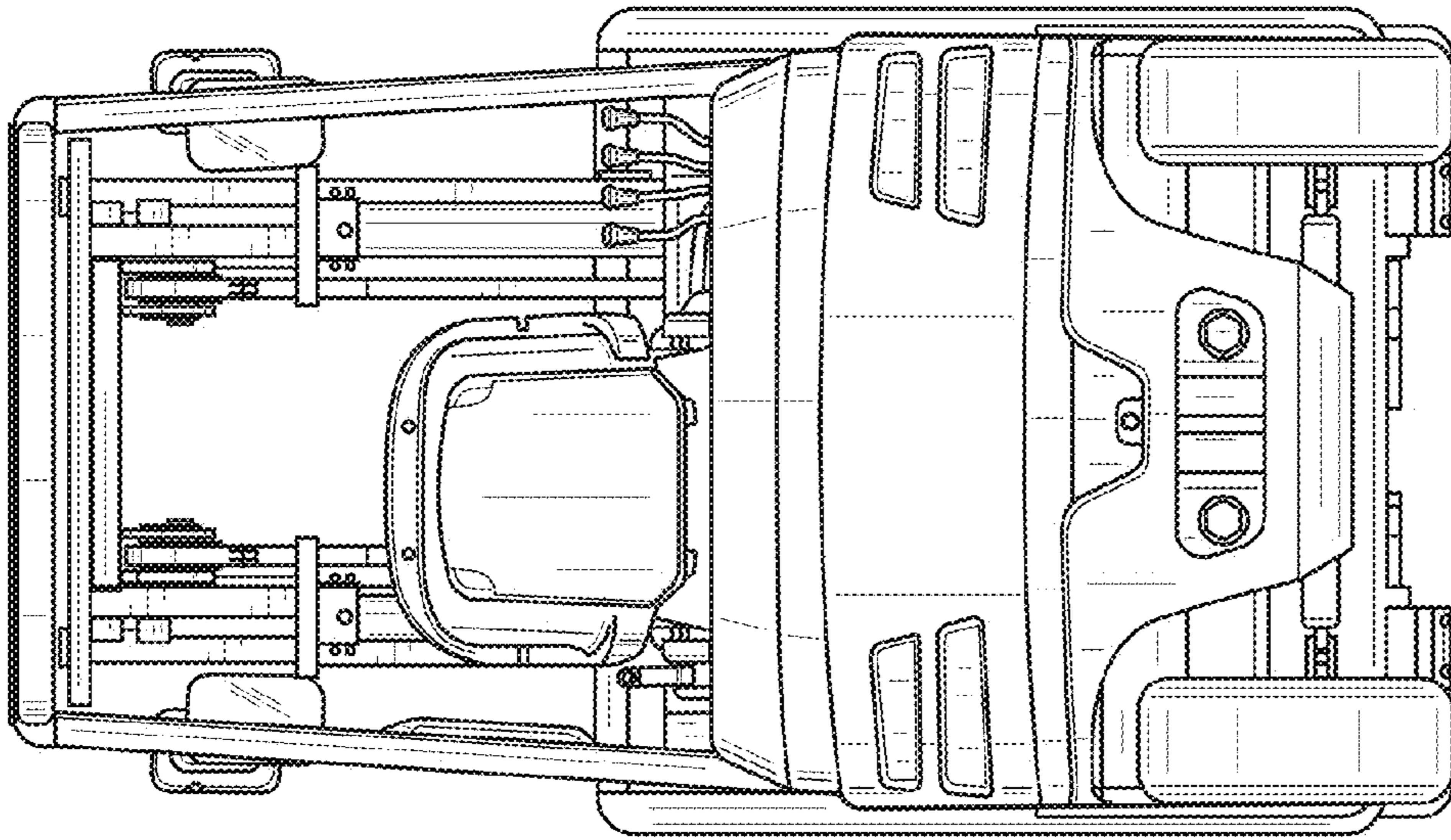


FIG. 5

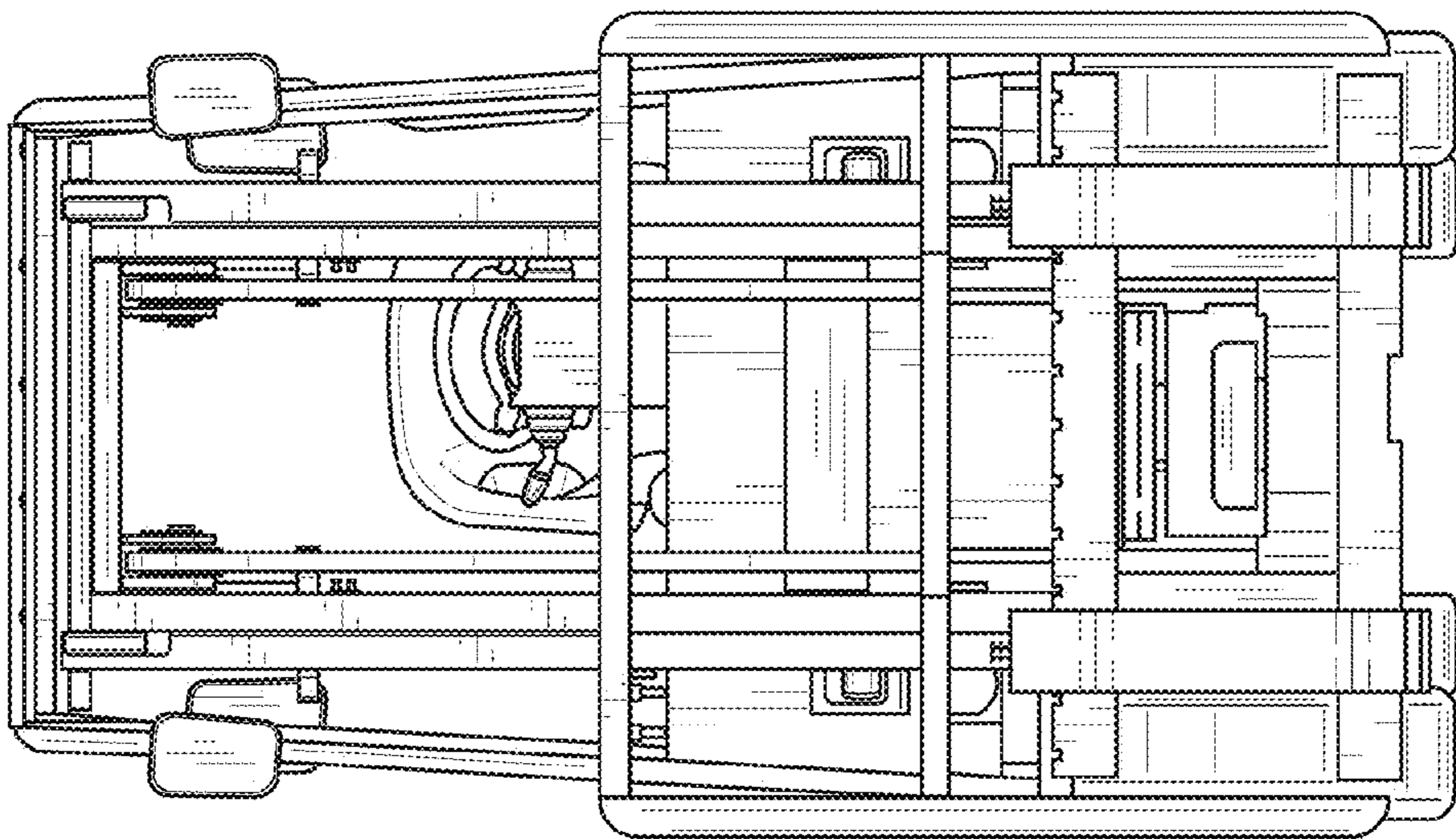


FIG. 4

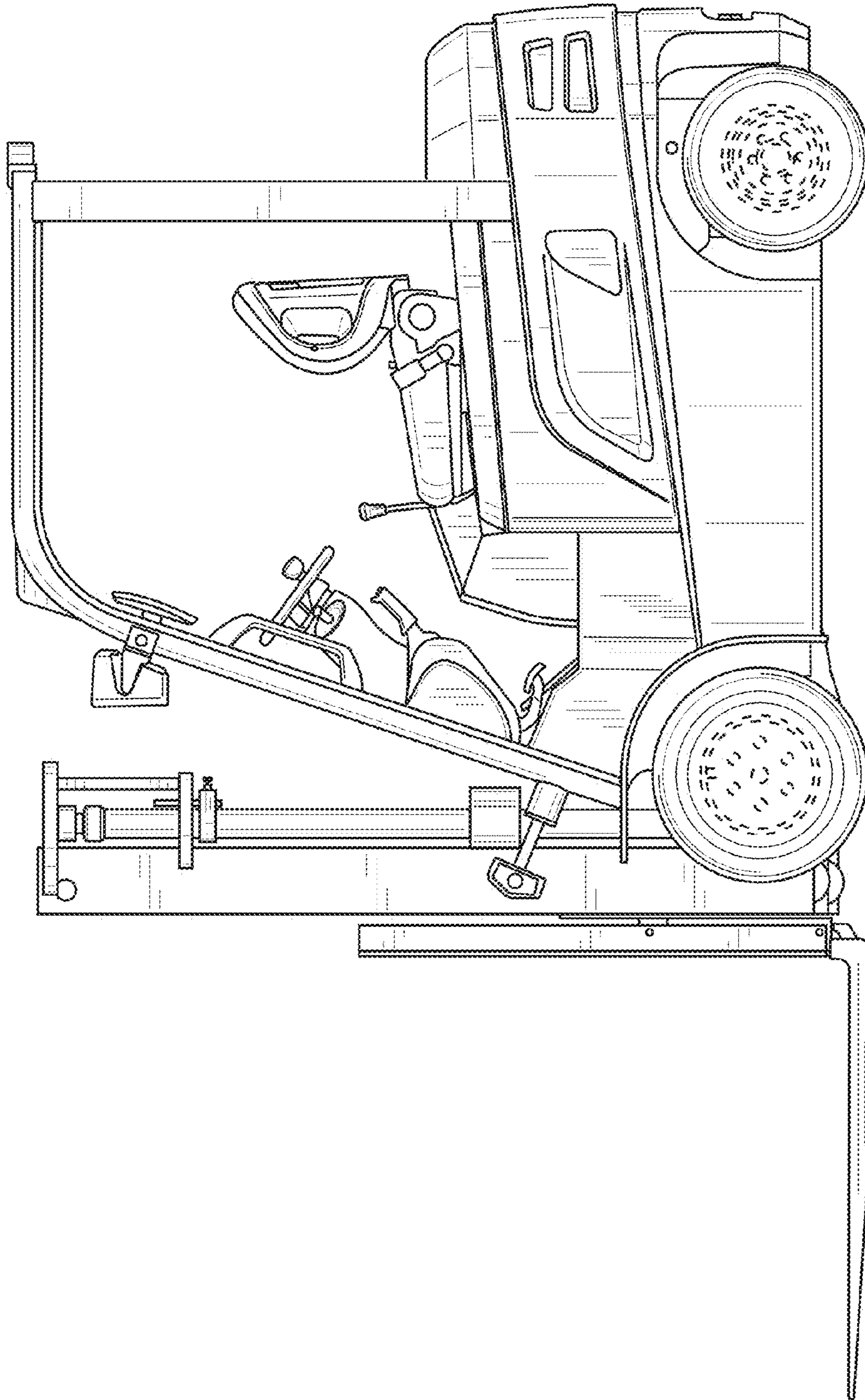


FIG. 6

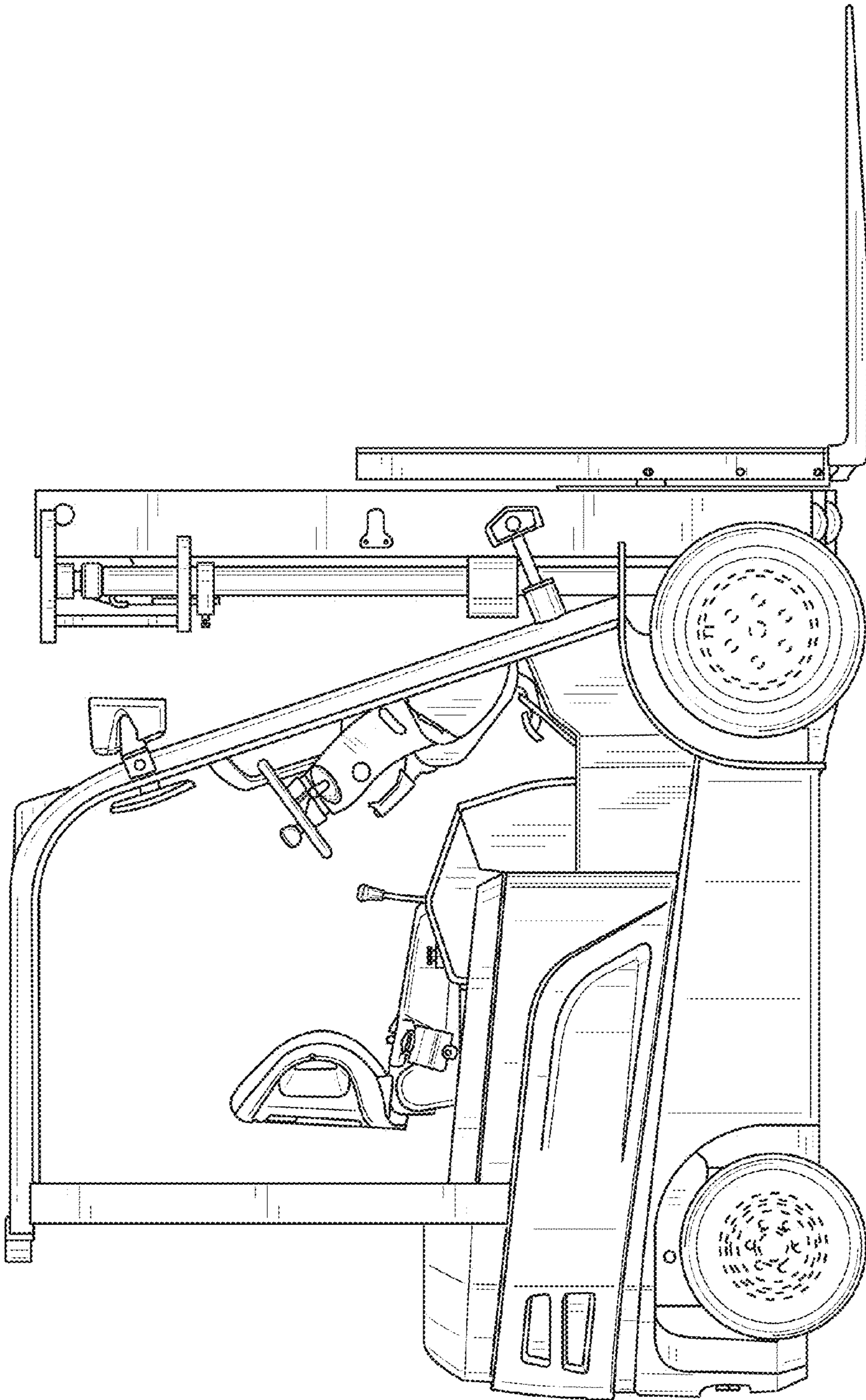


FIG. 7

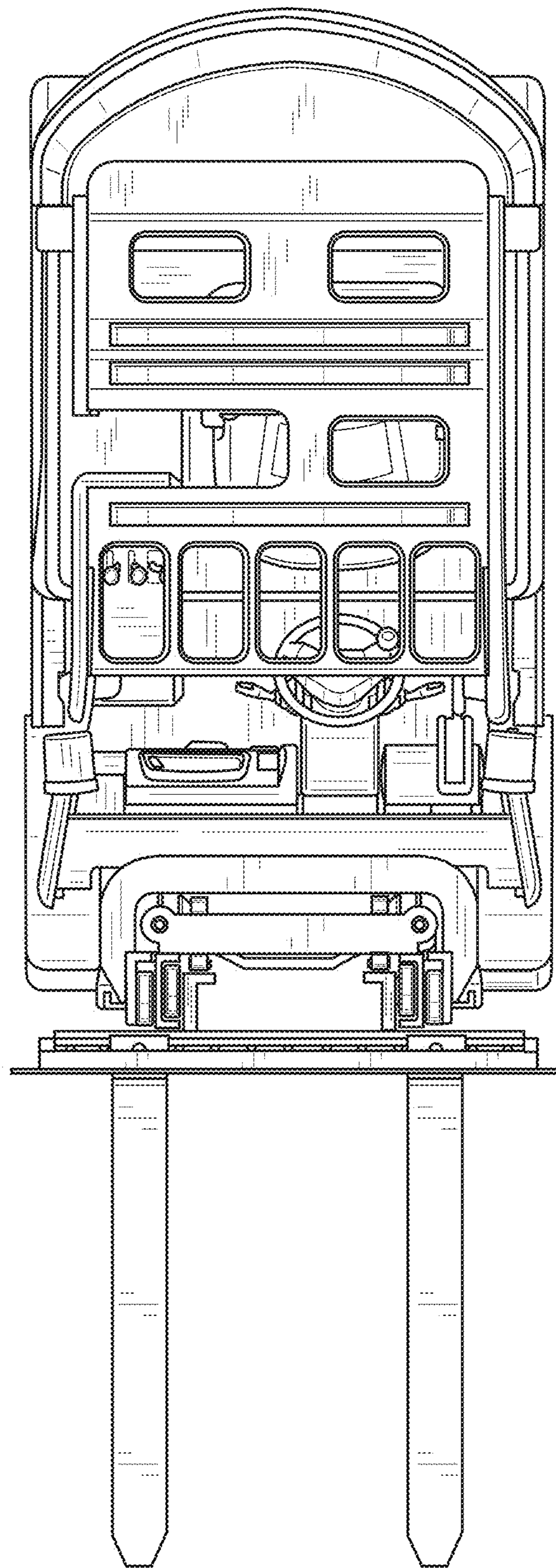


FIG. 8