



US00D754938S

(12) **United States Design Patent**
Bruneel

(10) **Patent No.:** **US D754,938 S**

(45) **Date of Patent:** **** Apr. 26, 2016**

(54) **TRIANGULAR VACUUM HEAD**

(71) Applicant: **Jean Julien Bruneel**, Kowloon (HK)

(72) Inventor: **Jean Julien Bruneel**, Kowloon (HK)

(**) Term: **14 Years**

(21) Appl. No.: **29/469,521**

(22) Filed: **Oct. 11, 2013**

(51) **LOC (10) Cl.** **15-05**

(52) **U.S. Cl.**
USPC **D32/33**

(58) **Field of Classification Search**
USPC D32/17-18, 31-34, 25, 40, 50;
D23/223

CPC E04H 4/1654; A47L 9/02; A47L 9/06;
A47L 9/0606; A47L 9/062; A47L 9/0633;
A47L 9/0693; A47L 11/4086; A47L 11/30;
A47L 7/009; A47L 7/0009; A47L 5/28;
A47L 5/36; A47L 13/225; A47L 13/20;
A47L 13/12; A47L 13/16; A47L 11/4044;
C11D 17/049; C23G 5/04; D06C 7/00;
D06F 75/30; D06F 87/00; B08B 3/02
See application file for complete search history.

(56) **References Cited**

U.S. PATENT DOCUMENTS

D208,851 S * 10/1967 Lindberg D32/33
D460,232 S * 7/2002 Weihrauch D32/50

D488,600 S * 4/2004 Pecci et al. D32/32
D549,415 S * 8/2007 Trotter et al. D32/50
D612,116 S * 3/2010 Nicholas D32/33
D629,982 S * 12/2010 Rossano et al. D32/33
D630,810 S * 1/2011 Bruneel D32/21
D645,218 S * 9/2011 Rossano et al. D32/33
D681,897 S * 5/2013 Bruneel D32/33
D691,340 S * 10/2013 Bruneel D32/32
2007/0169289 A1 * 7/2007 Hanvey et al. 15/1.7

* cited by examiner

Primary Examiner — Ruth McInroy

(74) *Attorney, Agent, or Firm* — George G. Wang; Bei & Ocean

(57) **CLAIM**

The ornamental design for a triangular vacuum head, as shown and described.

DESCRIPTION

FIG. 1 is a top view of the triangular vacuum head showing the new design;
FIG. 2 is a back view thereof;
FIG. 3 is a left side view thereof;
FIG. 4 is a right side view thereof;
FIG. 5 is a bottom view thereof;
FIG. 6 is a top view thereof;
FIG. 7 is a perspective top view thereof; and,
FIG. 8 is a perspective bottom view thereof.
The details shown in broken lines form no part of the claimed design.

1 Claim, 8 Drawing Sheets

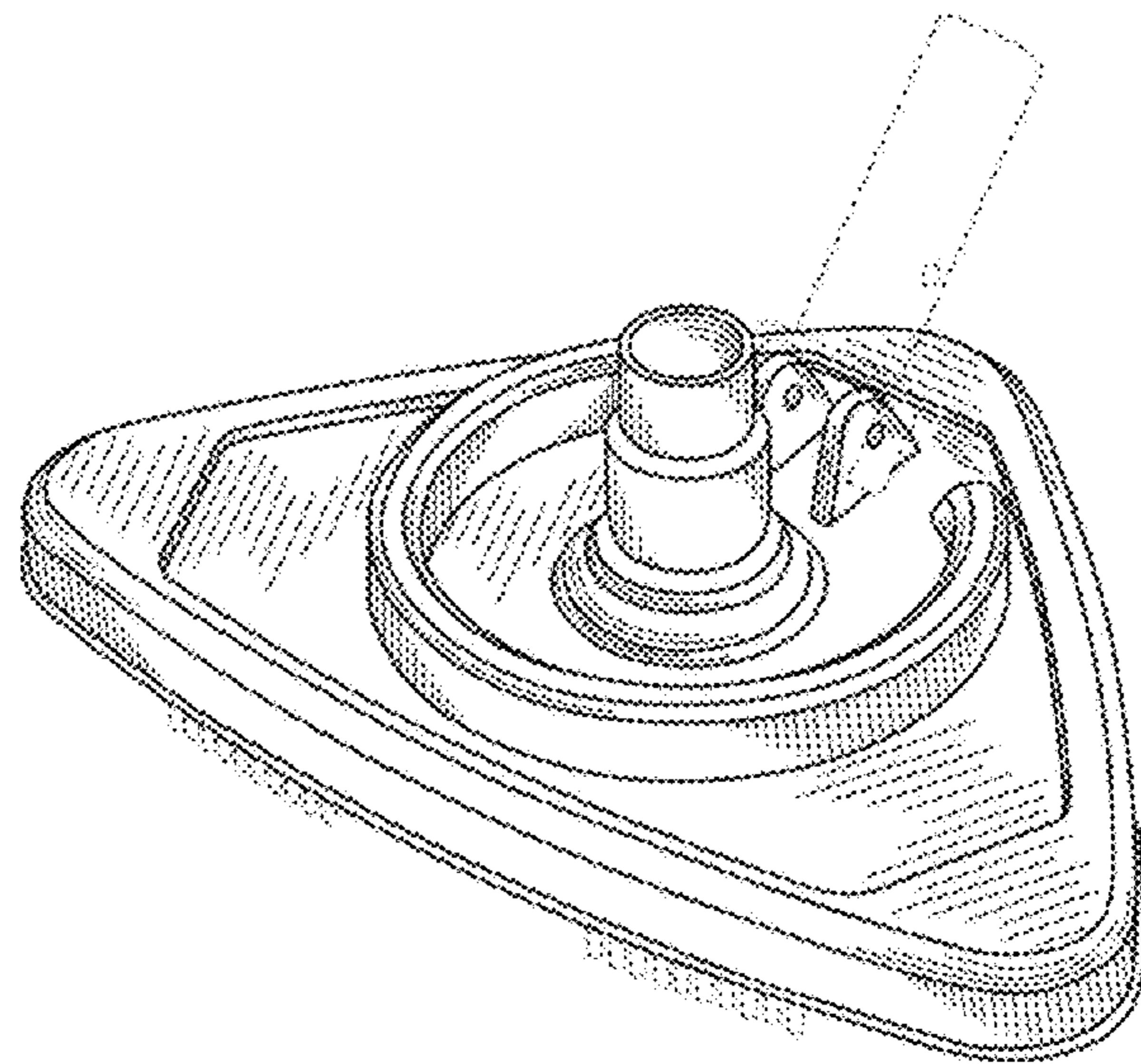
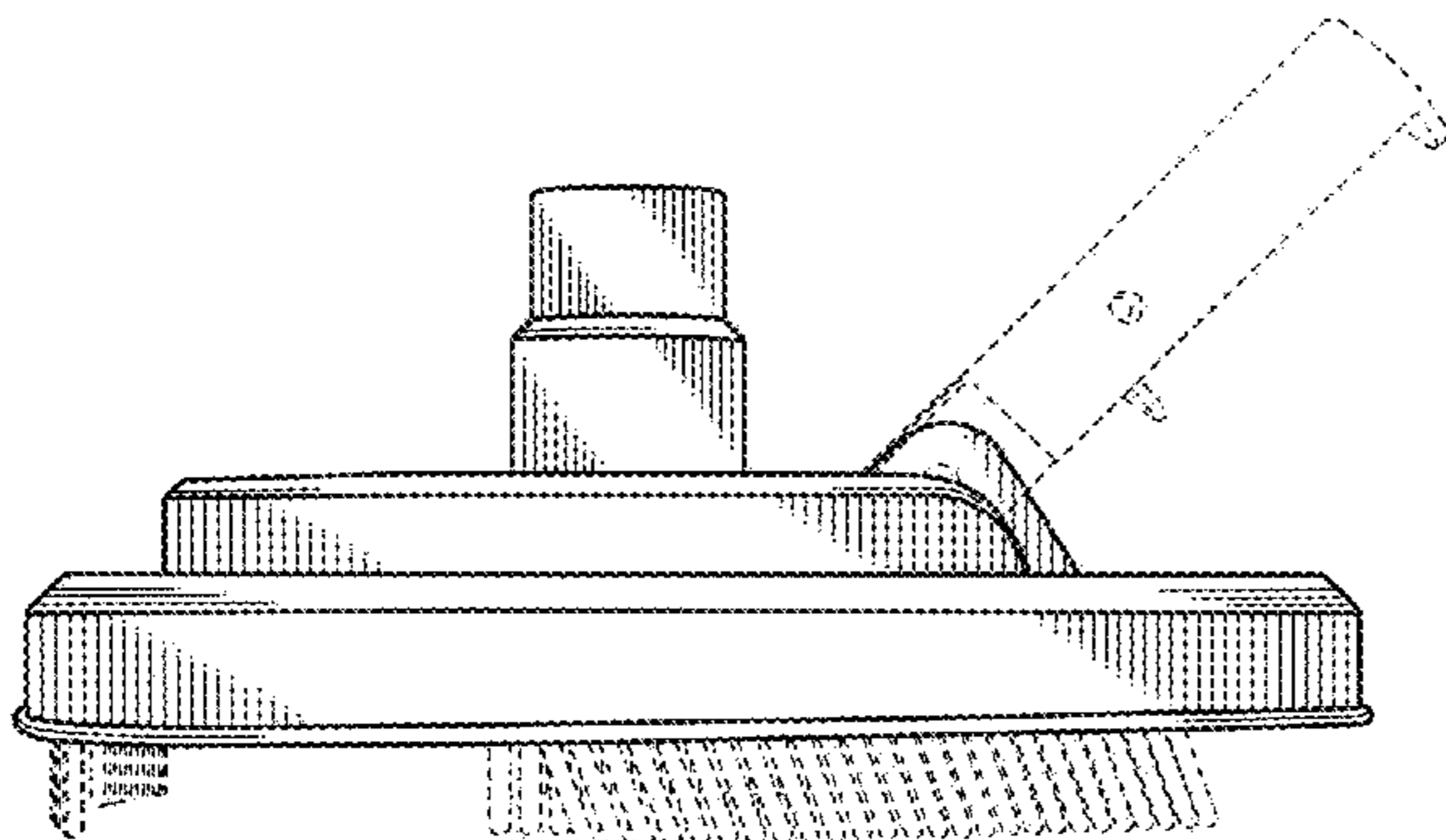


FIG. 1

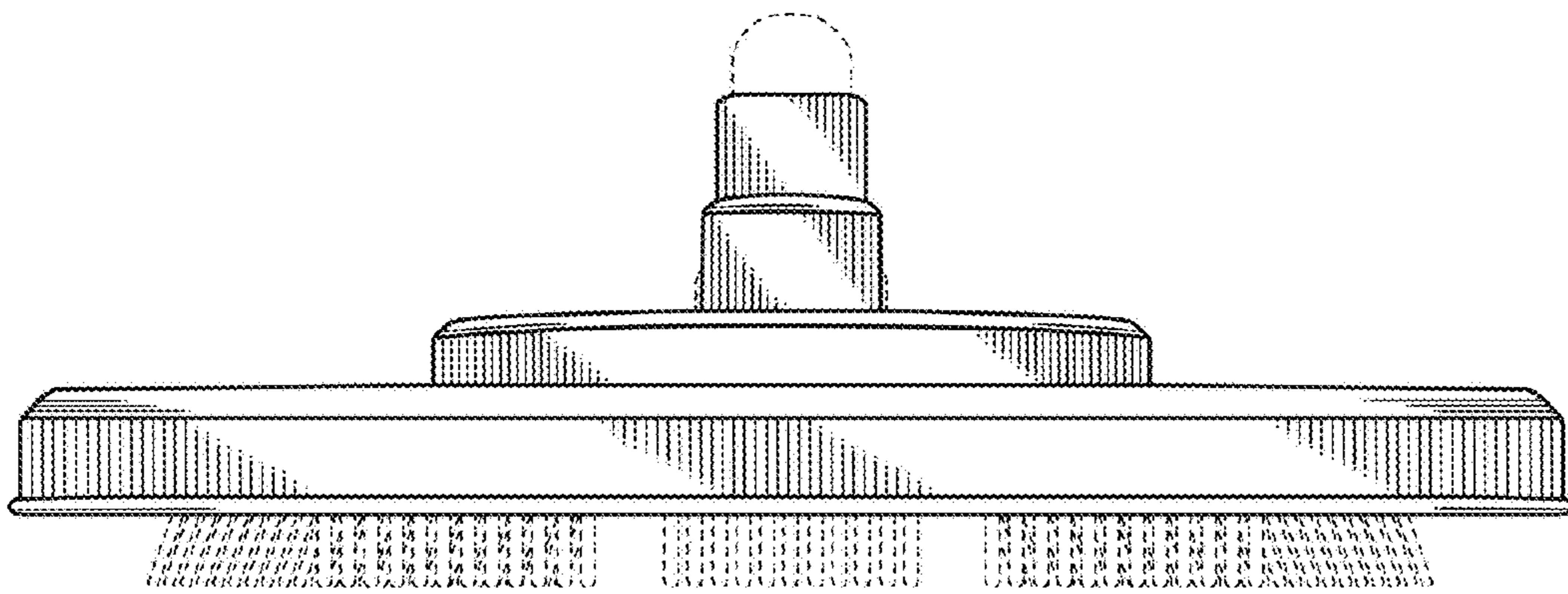


FIG. 2

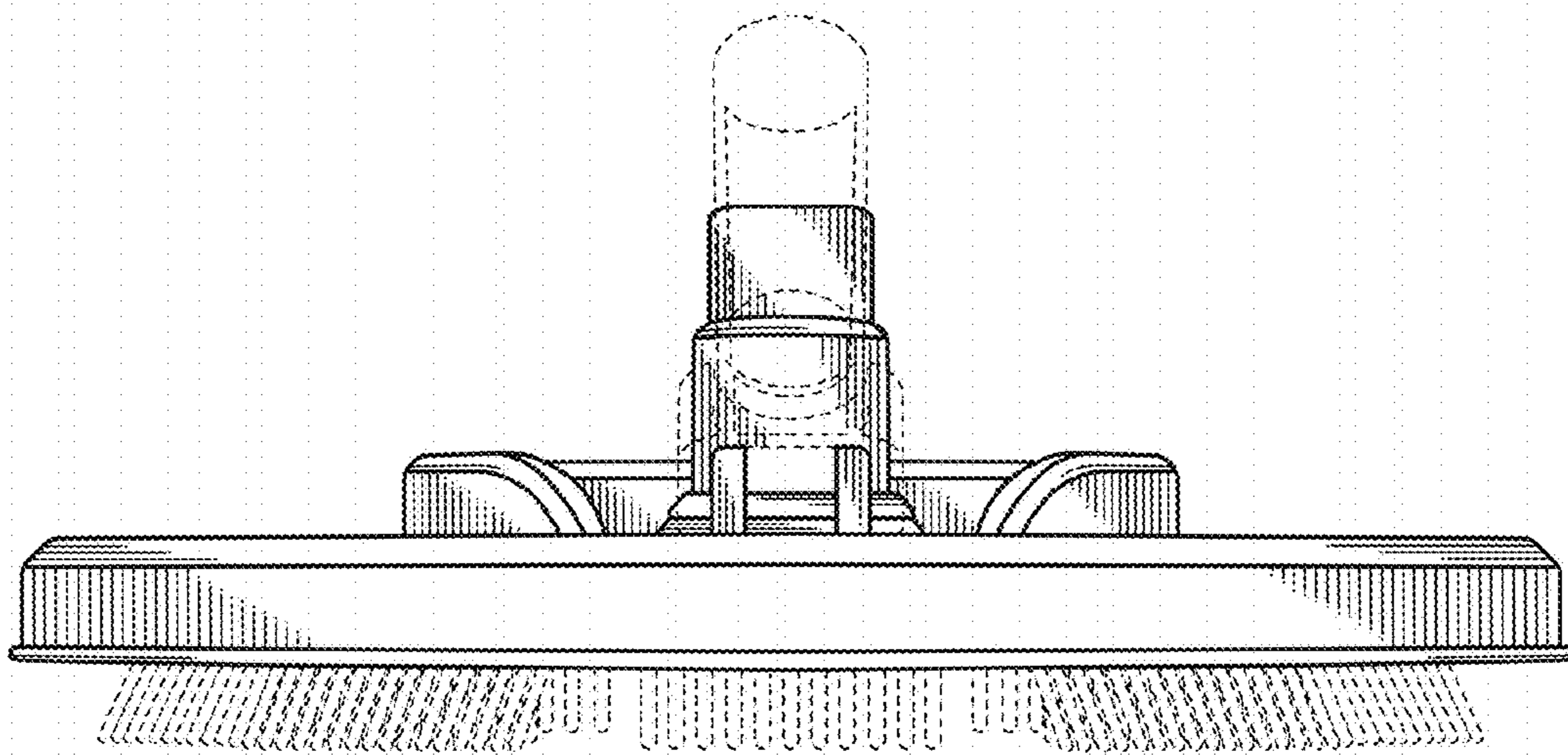


FIG. 3

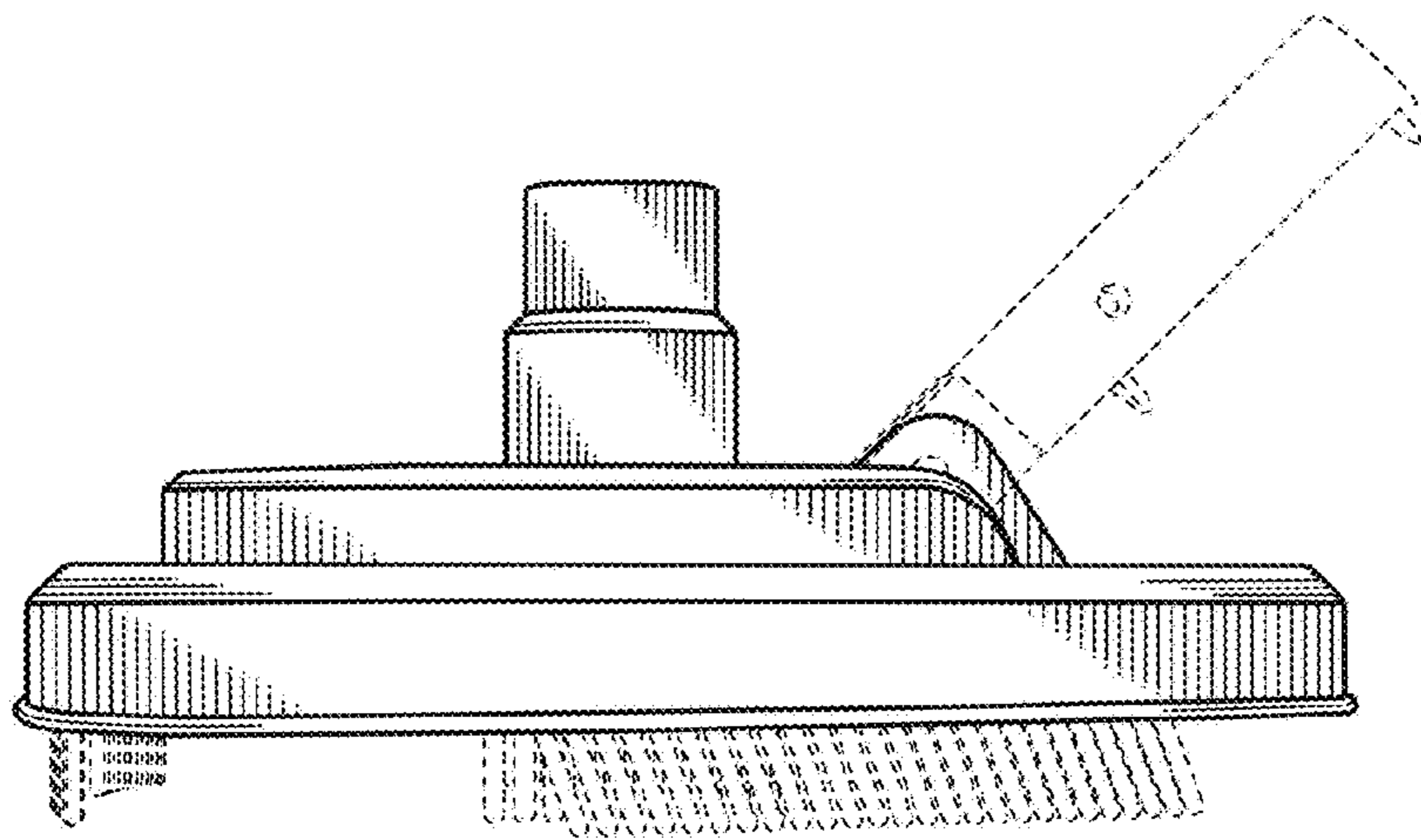


FIG. 4

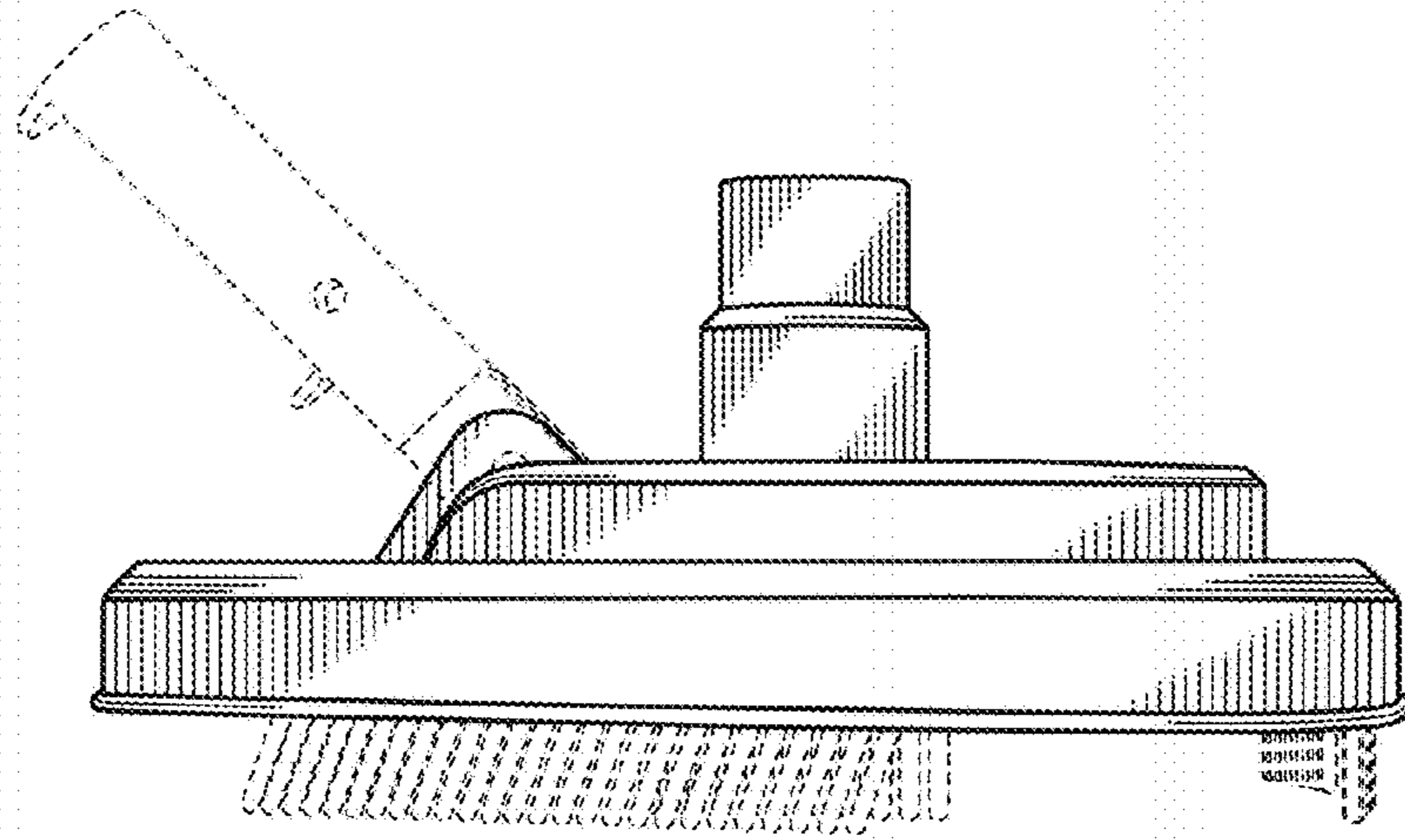


FIG. 5

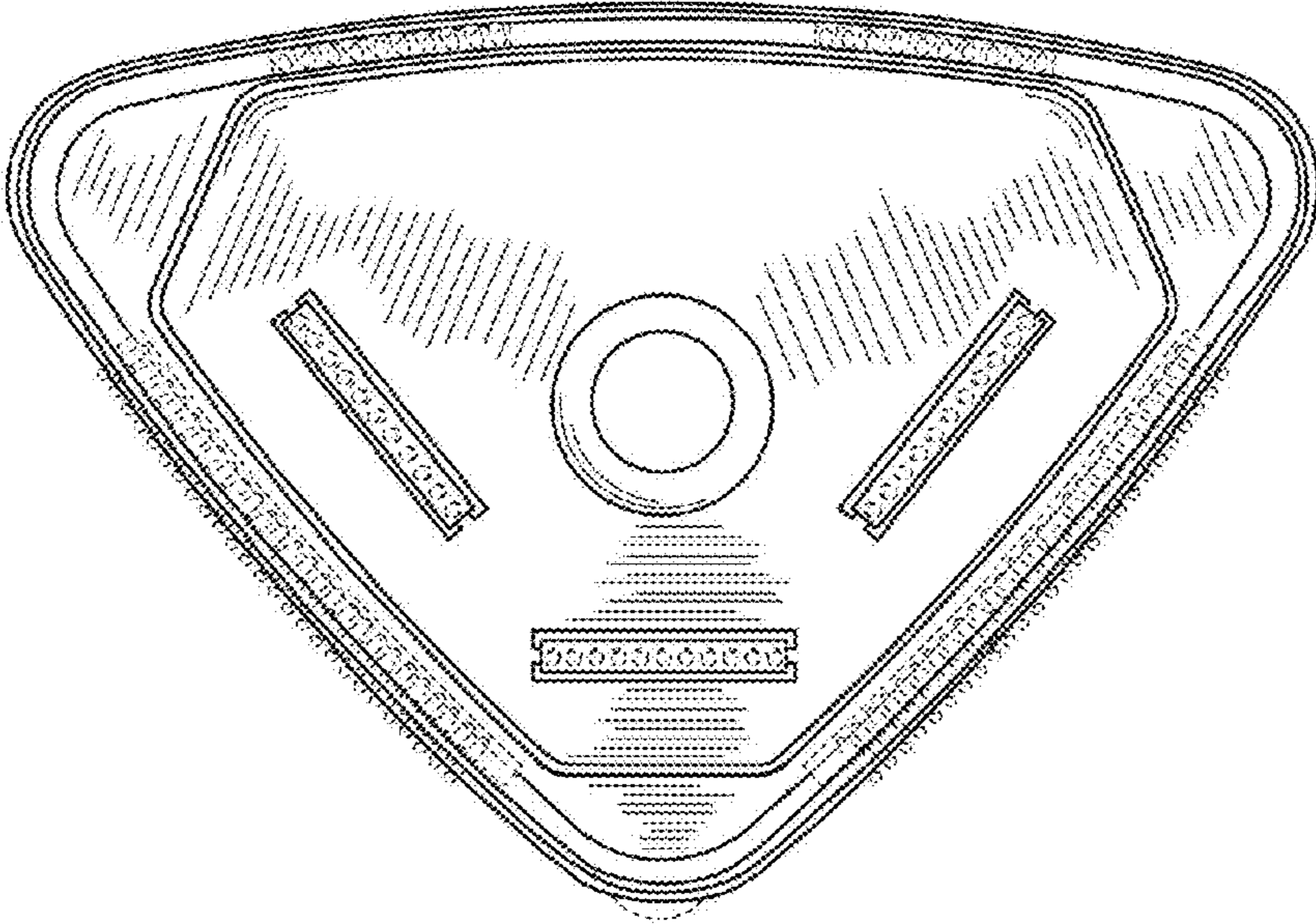


FIG. 6

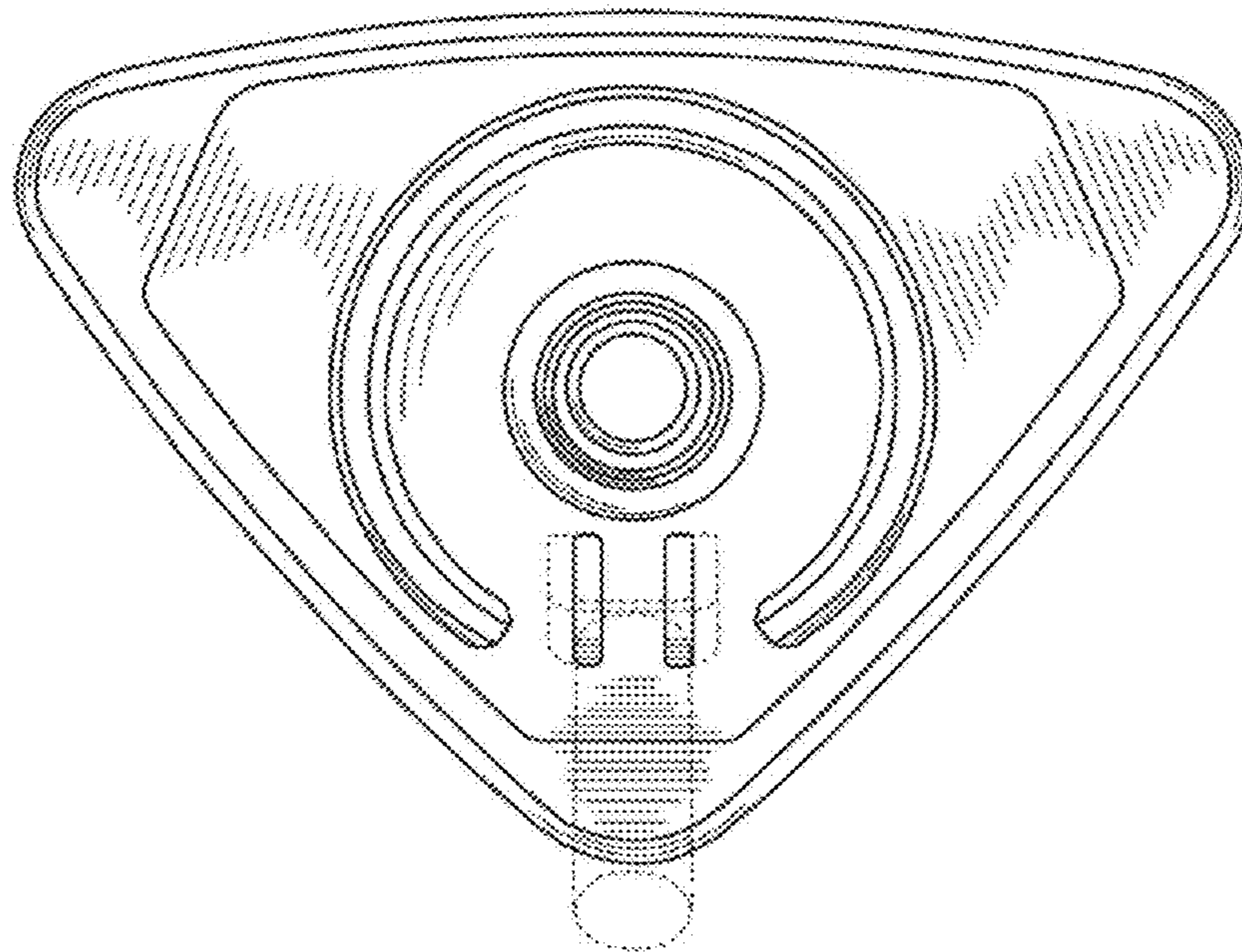


FIG. 7

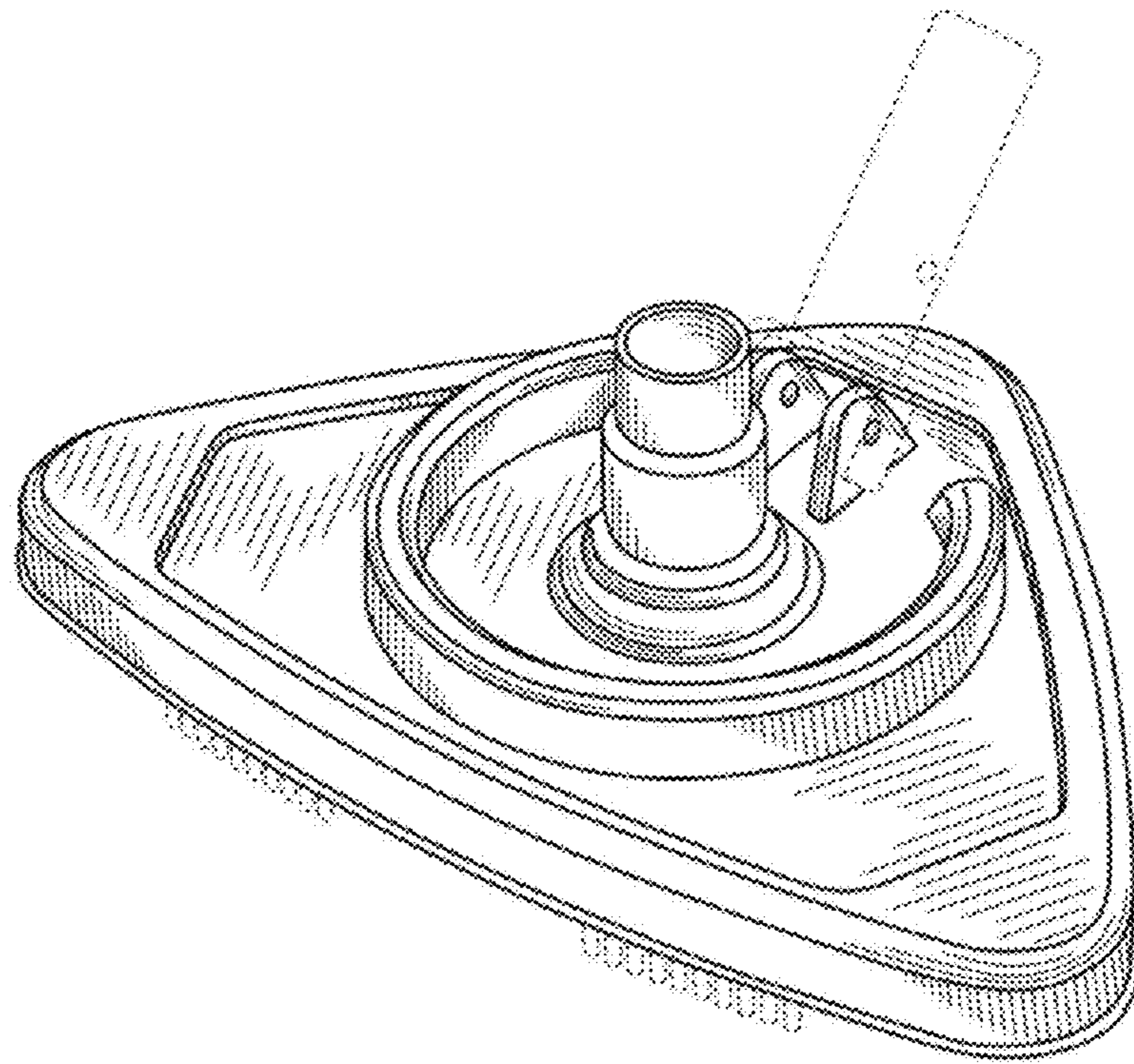


FIG. 8

