



US00D754937S

(12) **United States Design Patent**
Kim et al.

(10) **Patent No.:** **US D754,937 S**
(45) **Date of Patent:** **** Apr. 26, 2016**

(54) **CLOTHES DRYER**
(71) Applicant: **LG ELECTRONICS INC.**, Seoul (KR)
(72) Inventors: **Kihyuk Kim**, Incheon (KR); **Eunyoung Chee**, Gyeonggi-do (KR)
(73) Assignee: **LG Electronics Inc.**, Seoul (KR)
(**) Term: **14 Years**
(21) Appl. No.: **29/481,901**
(22) Filed: **Feb. 12, 2014**

(30) **Foreign Application Priority Data**
Aug. 12, 2013 (KR) 30-2013-0041514
(51) **LOC (10) Cl.** **15-05**
(52) **U.S. Cl.**
USPC **D32/8**
(58) **Field of Classification Search**
USPC D32/1-3, 6, 25, 28, 29, 34; D23/226,
D23/255, 271, 259, 260, 268, 381
CPC D06F 58/00; D06F 58/02; D06F 58/04;
D06F 58/20
See application file for complete search history.

(56) **References Cited**
U.S. PATENT DOCUMENTS
D292,630 S * 11/1987 Nagai D32/8
D360,500 S * 7/1995 Millet D32/5
D360,501 S * 7/1995 Ertz D32/6
D360,716 S * 7/1995 Ertz D32/8
5,661,914 A * 9/1997 Millet D06F 39/14
34/601

D524,000 S * 6/2006 Kim D32/6
D527,853 S * 9/2006 Carey D32/6
D532,941 S * 11/2006 Carey D32/6
D575,464 S * 8/2008 Rossetto D32/8
D619,314 S * 7/2010 Bixby D32/25
D620,212 S * 7/2010 Bixby D32/25
D630,807 S * 1/2011 Song D32/6
D651,778 S * 1/2012 Miller D32/25
D661,852 S * 6/2012 Song D32/8
8,523,300 B2 * 9/2013 Najera Bernal D06F 39/14
312/228
D701,659 S * 3/2014 Choi D32/8

* cited by examiner

Primary Examiner — T. Chase Nelson
Assistant Examiner — Michelle E Wilson
(74) *Attorney, Agent, or Firm* — Morgan, Lewis & Bockius LLP

(57) **CLAIM**
The ornamental design for a clothes dryer, as shown and described.

DESCRIPTION

FIG. 1 is a front, right side, perspective view of a clothes dryer showing our new design;
FIG. 2 is a front view thereof;
FIG. 3 is a rear view thereof;
FIG. 4 is a left side view thereof;
FIG. 5 is a right side view thereof;
FIG. 6 is a top view thereof; and,
FIG. 7 is a bottom view thereof.
The broken lines shown in the drawings represent portions of the clothes dryer which form no part of the claimed design.

1 Claim, 6 Drawing Sheets

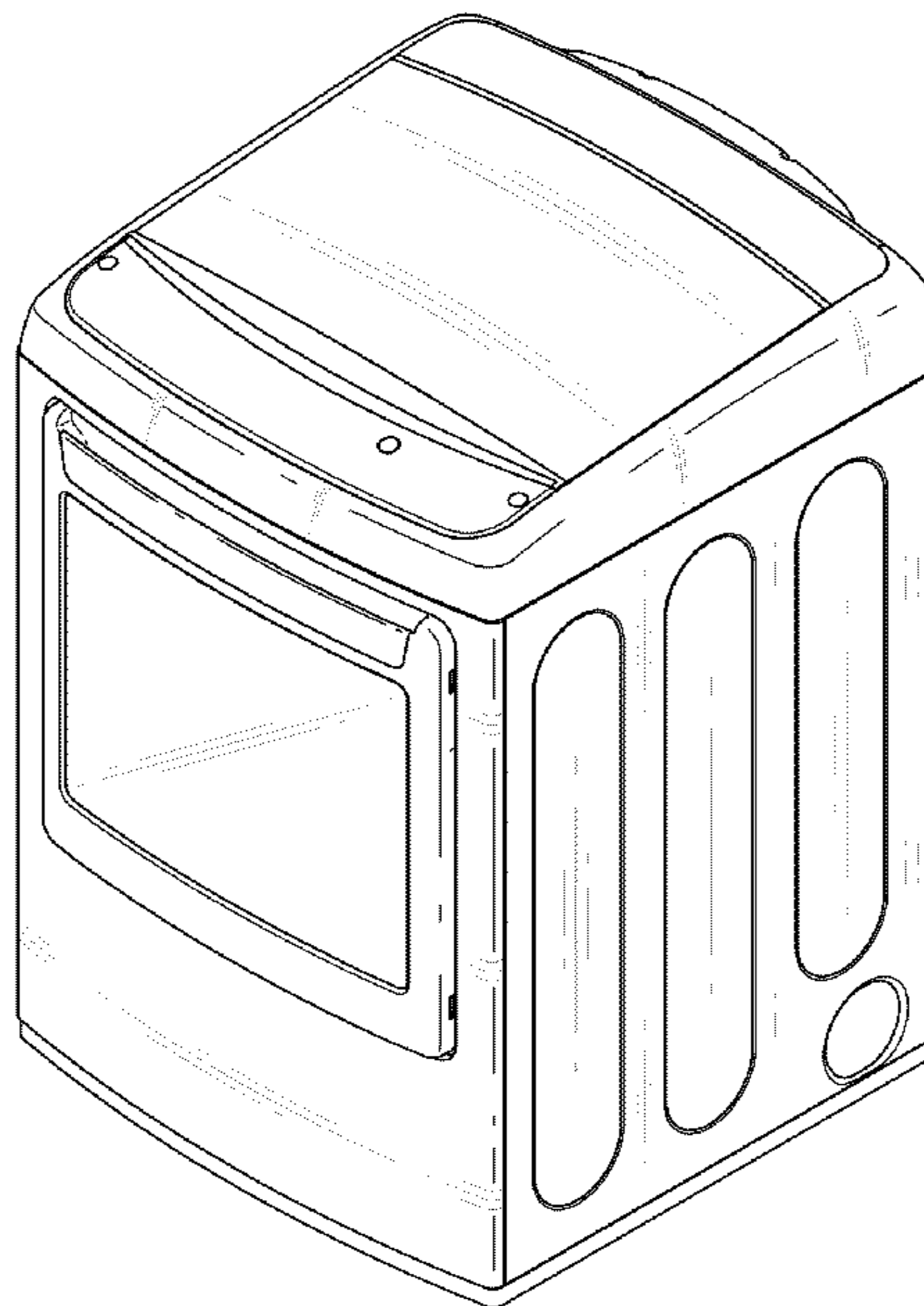


FIG. 1

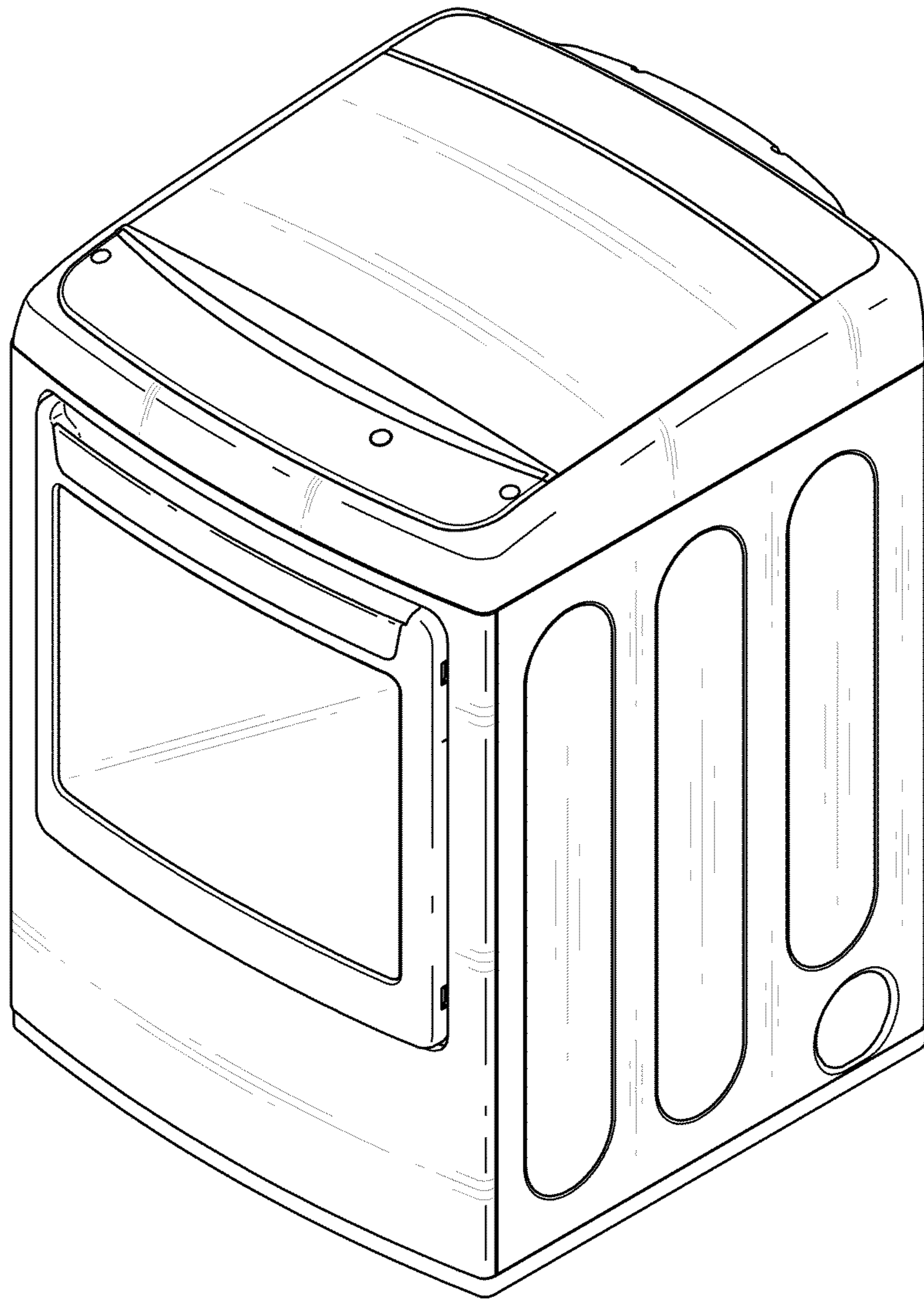


FIG. 2

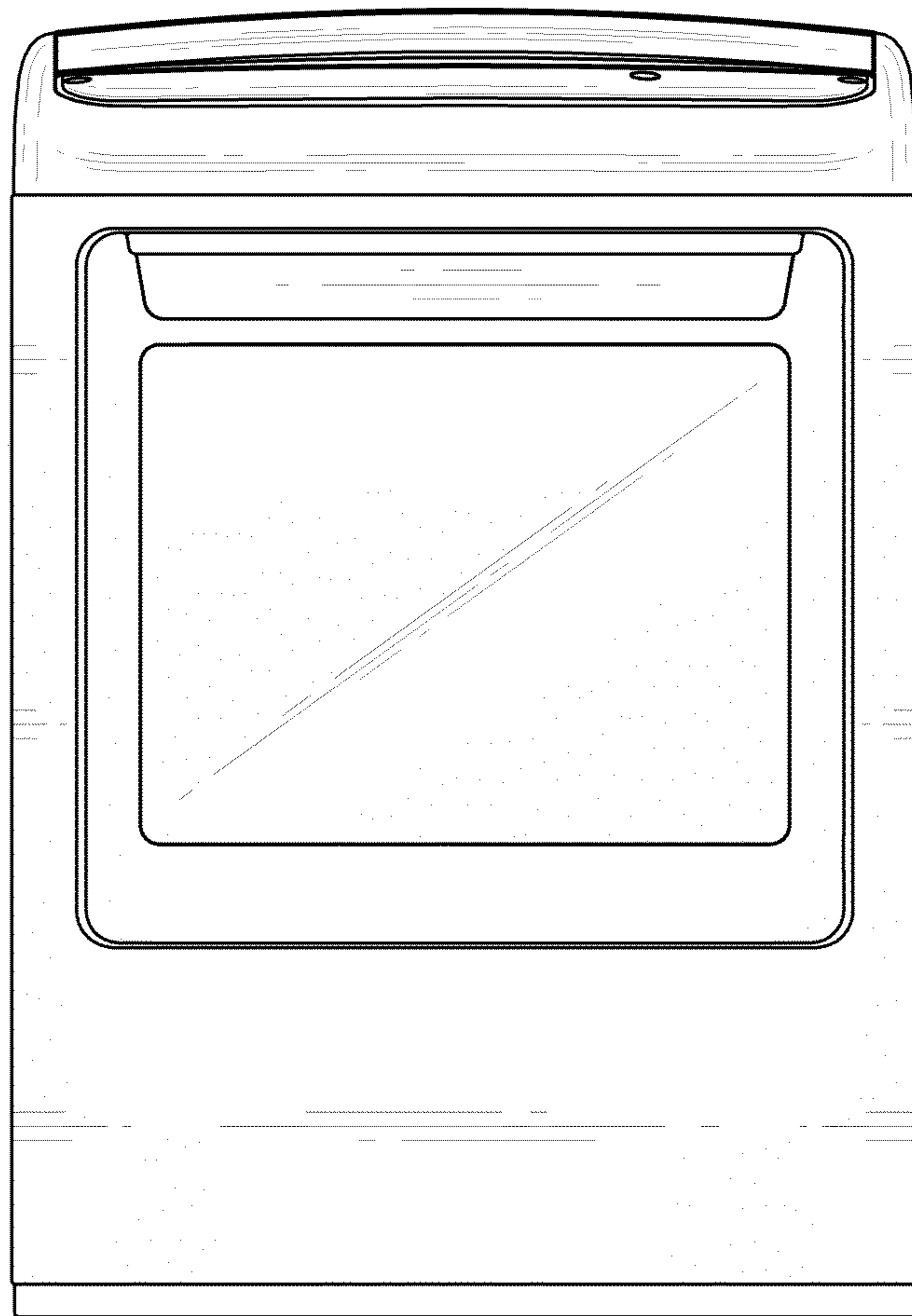


FIG. 3

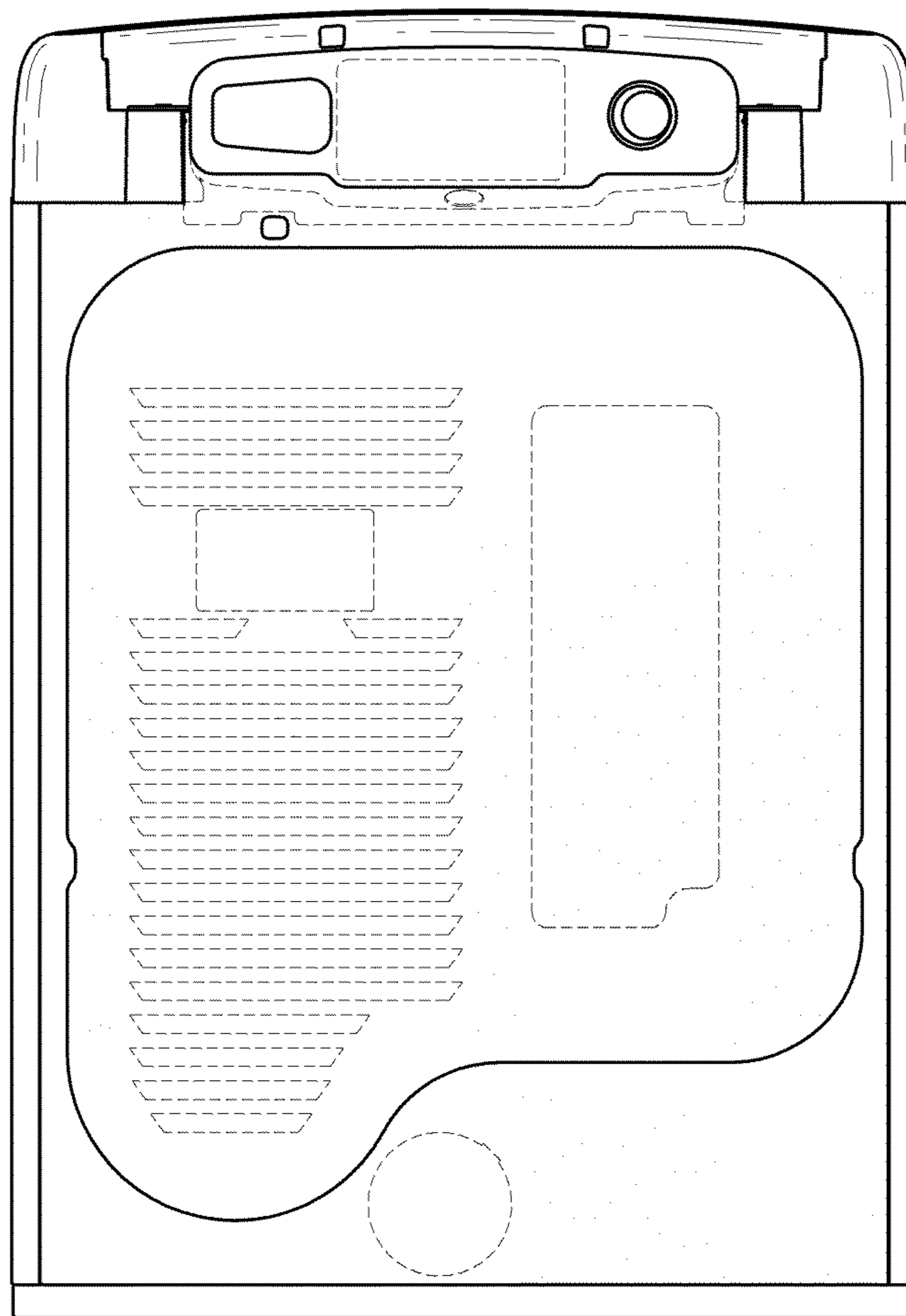


FIG. 4

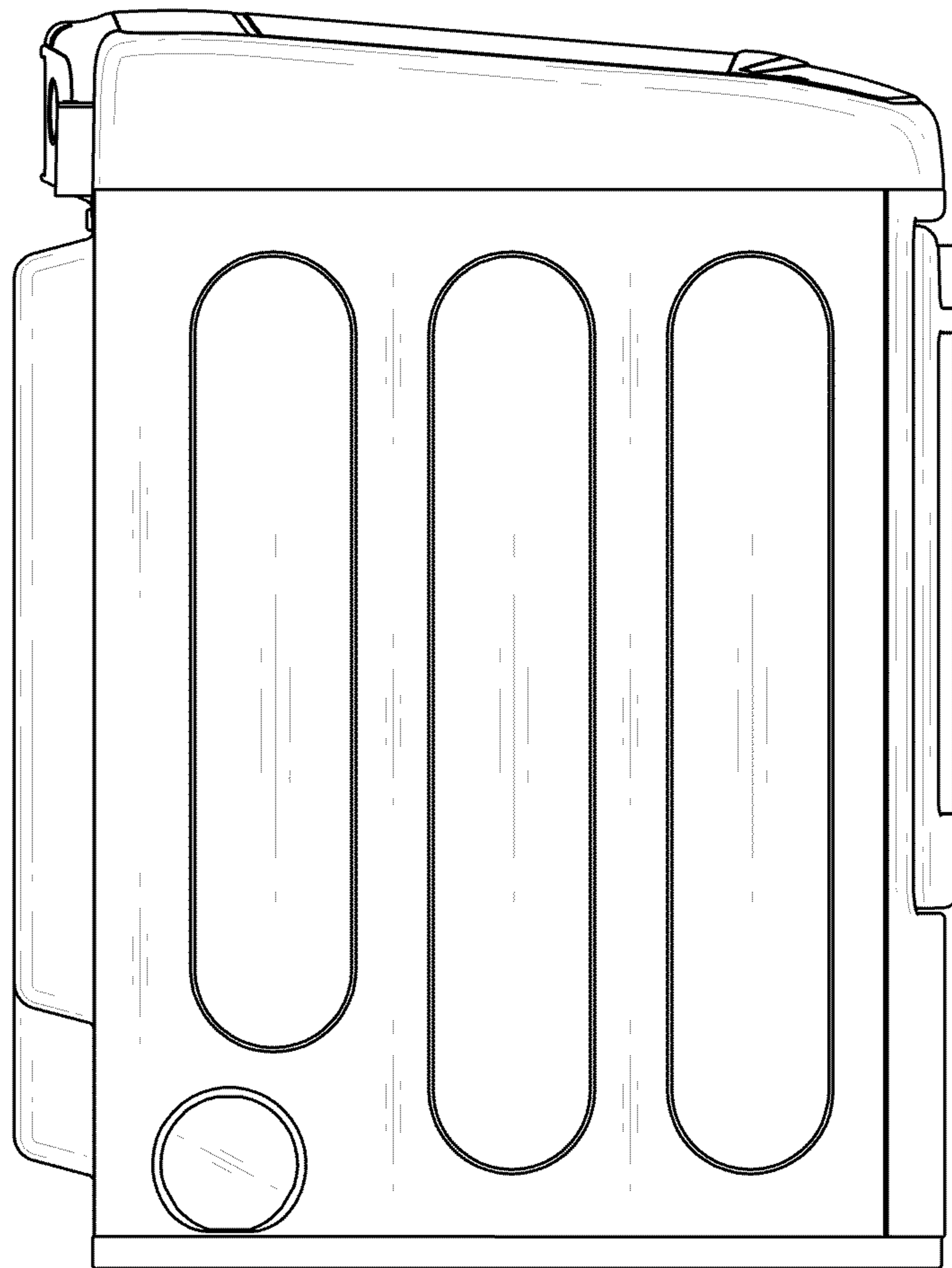


FIG. 5

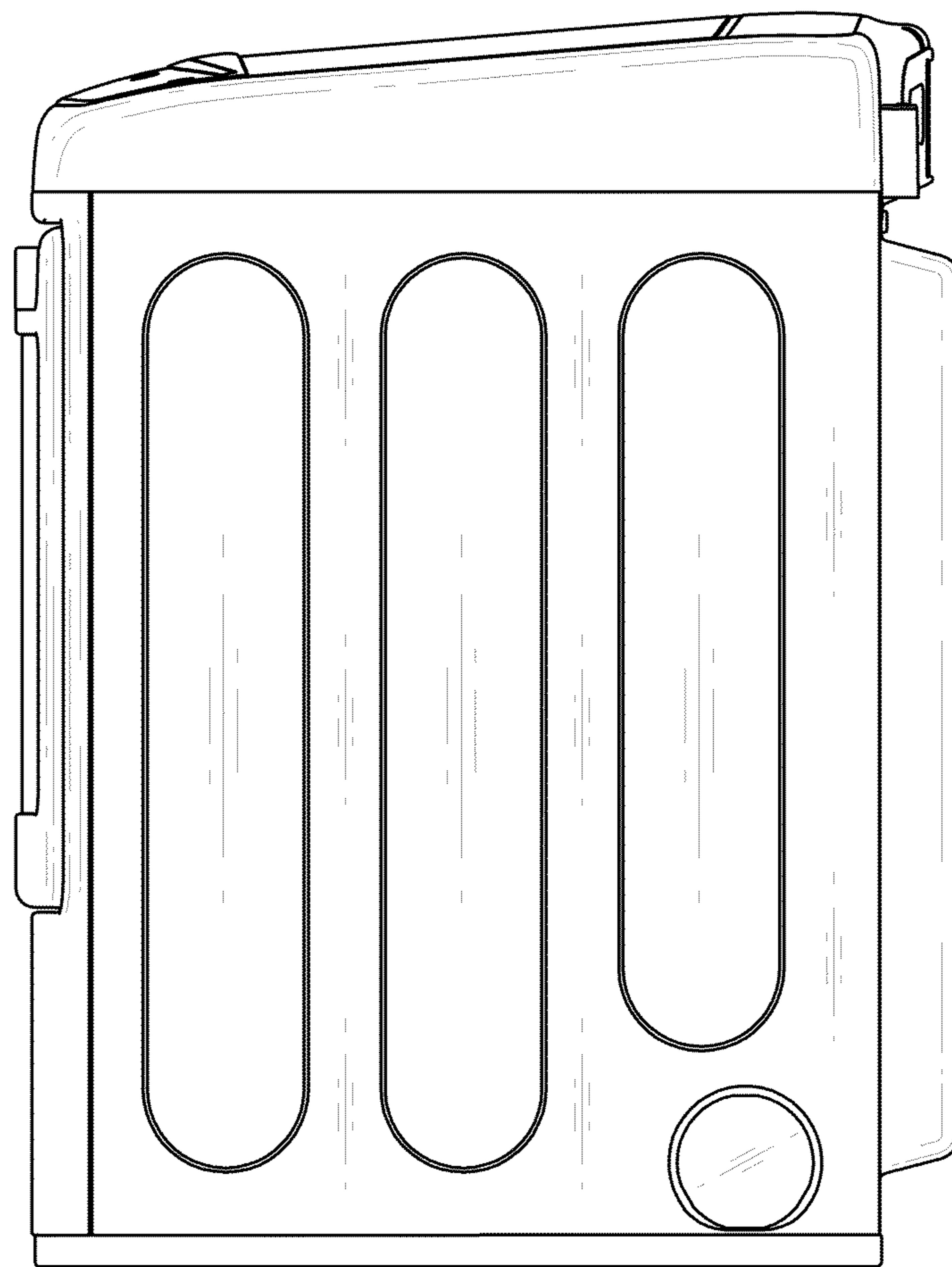


FIG. 6

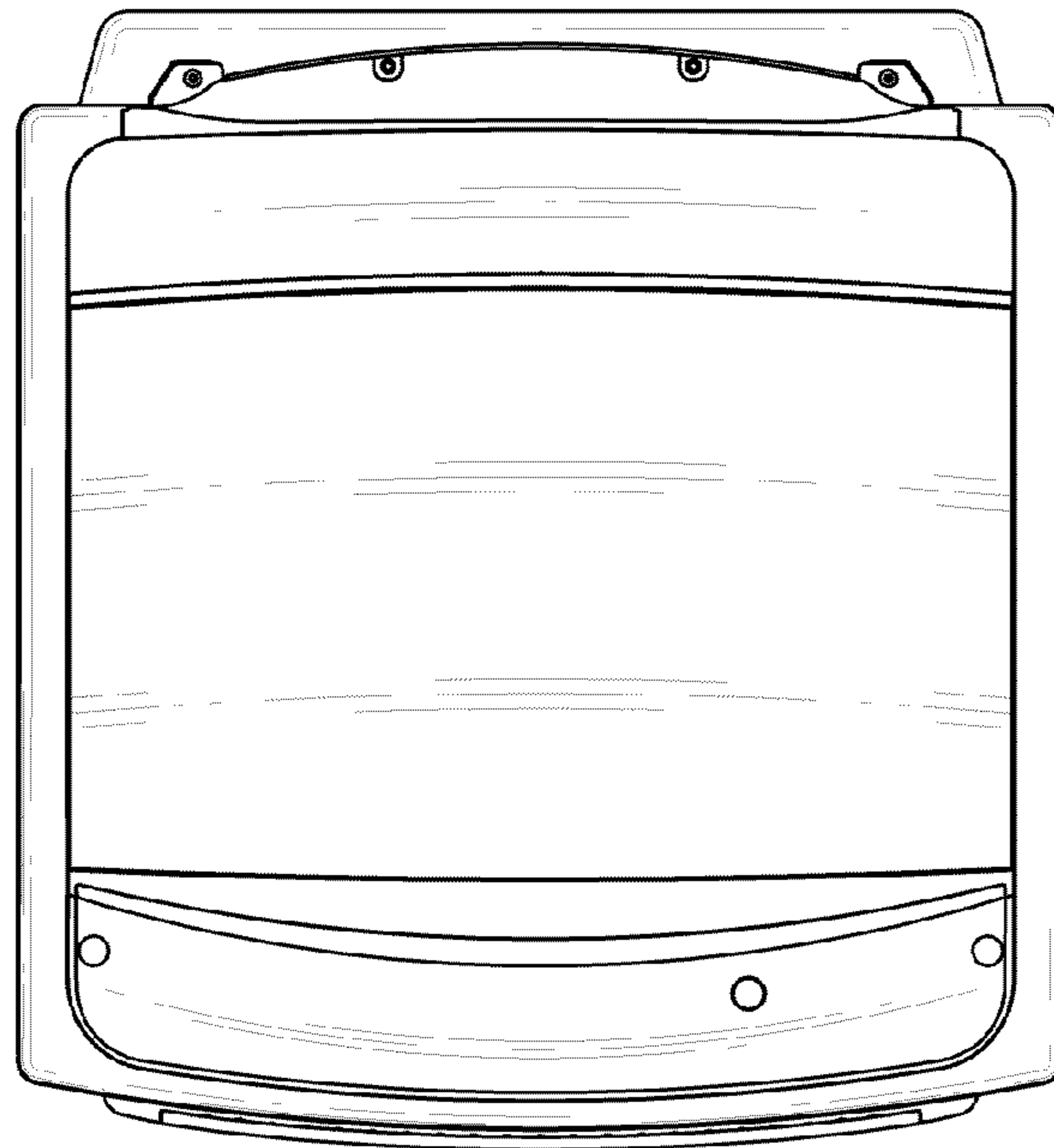


FIG. 7

