

US00D754936S

(12) **United States Design Patent**
Levy et al.

(10) **Patent No.:** **US D754,936 S**

(45) **Date of Patent:** **** Apr. 26, 2016**

(54) **COLLAR ATTACHMENT**

(71) Applicant: **THE BOSTON CONSULTING GROUP, INC.**, Boston, MA (US)

(72) Inventors: **Sharon Levy**, Venice, CA (US); **Kevin Bethune**, Redondo Beach, CA (US); **Andrew Nagata**, Pasadena, CA (US)

(73) Assignee: **THE BOSTON CONSULTING GROUP, INC.**, Boston, MA (US)

(**) Term: **14 Years**

(21) Appl. No.: **29/499,153**

(22) Filed: **Aug. 12, 2014**

(51) **LOC (10) Cl.** **30-99**

(52) **U.S. Cl.**
USPC **D30/199**

(58) **Field of Classification Search**
USPC D30/144, 151-155, 199; 119/718-719, 119/794

CPC A01K 27/001; A01K 29/005
See application file for complete search history.

(56) **References Cited**

U.S. PATENT DOCUMENTS

D330,173 S * 10/1992 Juliana D30/152
D607,617 S * 1/2010 Golenz D30/152
D662,267 S * 6/2012 Morin D30/152

D725,850 S * 3/2015 Eidelman D30/152
2006/0236955 A1 * 10/2006 Lord A01K 27/004
119/794
2007/0039560 A1 * 2/2007 Smith A01K 27/004
119/794
2009/0013939 A1 * 1/2009 Santiago A01K 15/023
119/719
2012/0048213 A1 * 3/2012 Konovalov A01K 27/009
119/718

* cited by examiner

Primary Examiner — Susan Bennett Hattan

Assistant Examiner — Brett Miller

(74) *Attorney, Agent, or Firm* — DLA Piper LLP (US)

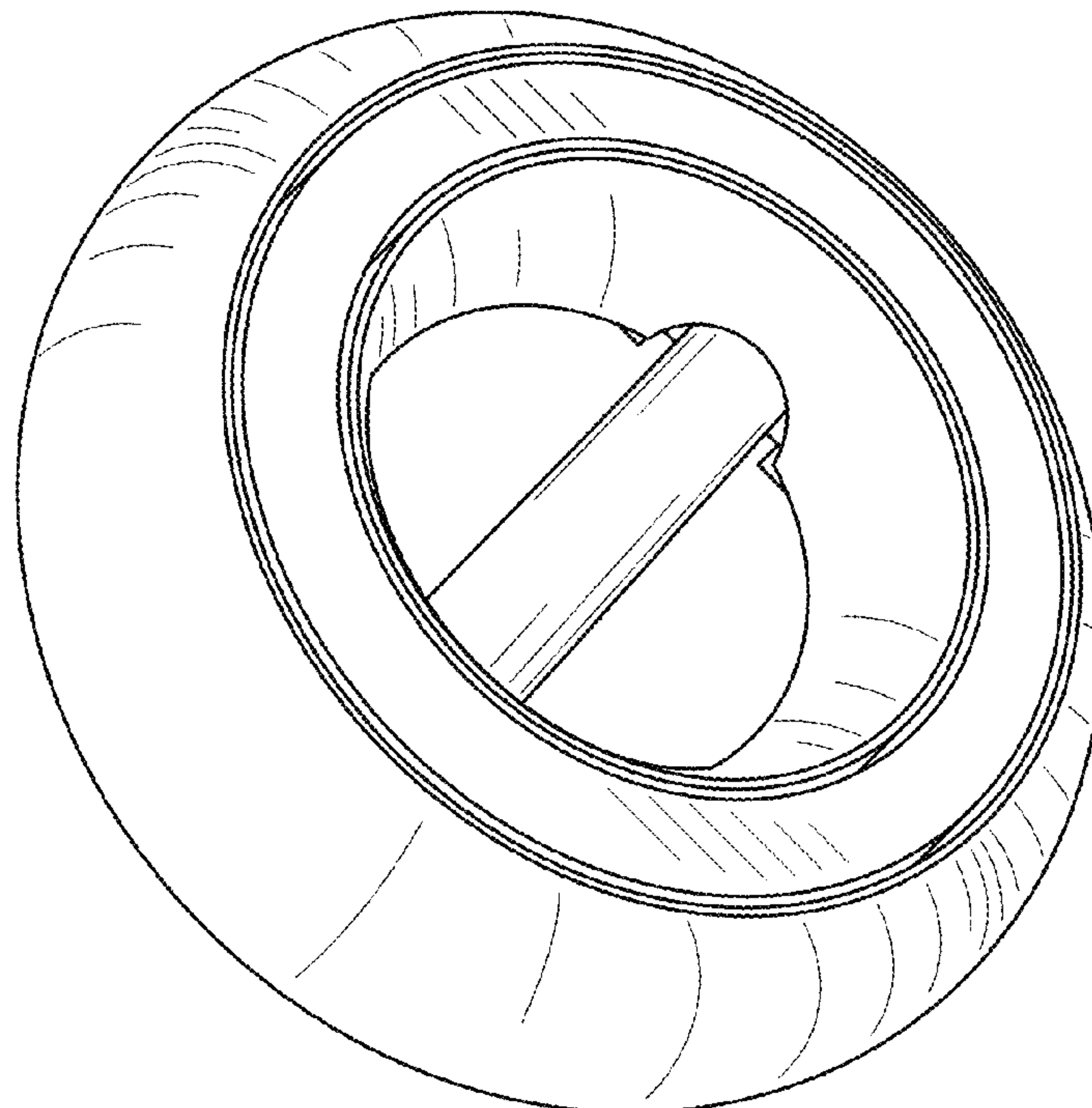
(57) **CLAIM**

The ornamental design for a collar attachment, as shown and described.

DESCRIPTION

FIG. 1 is a front perspective view of a collar attachment; FIG. 2 is a front view thereof; FIG. 3 is a back view thereof; FIG. 4 is a right side view thereof; FIG. 5 is a left side view thereof; FIG. 6 is a top side view thereof; FIG. 7 is a bottom side view thereof; and, FIG. 8 is a back perspective view thereof. Note that any broken line illustration of environmental structure in the drawing is not part of the design sought to be patented.

1 Claim, 4 Drawing Sheets



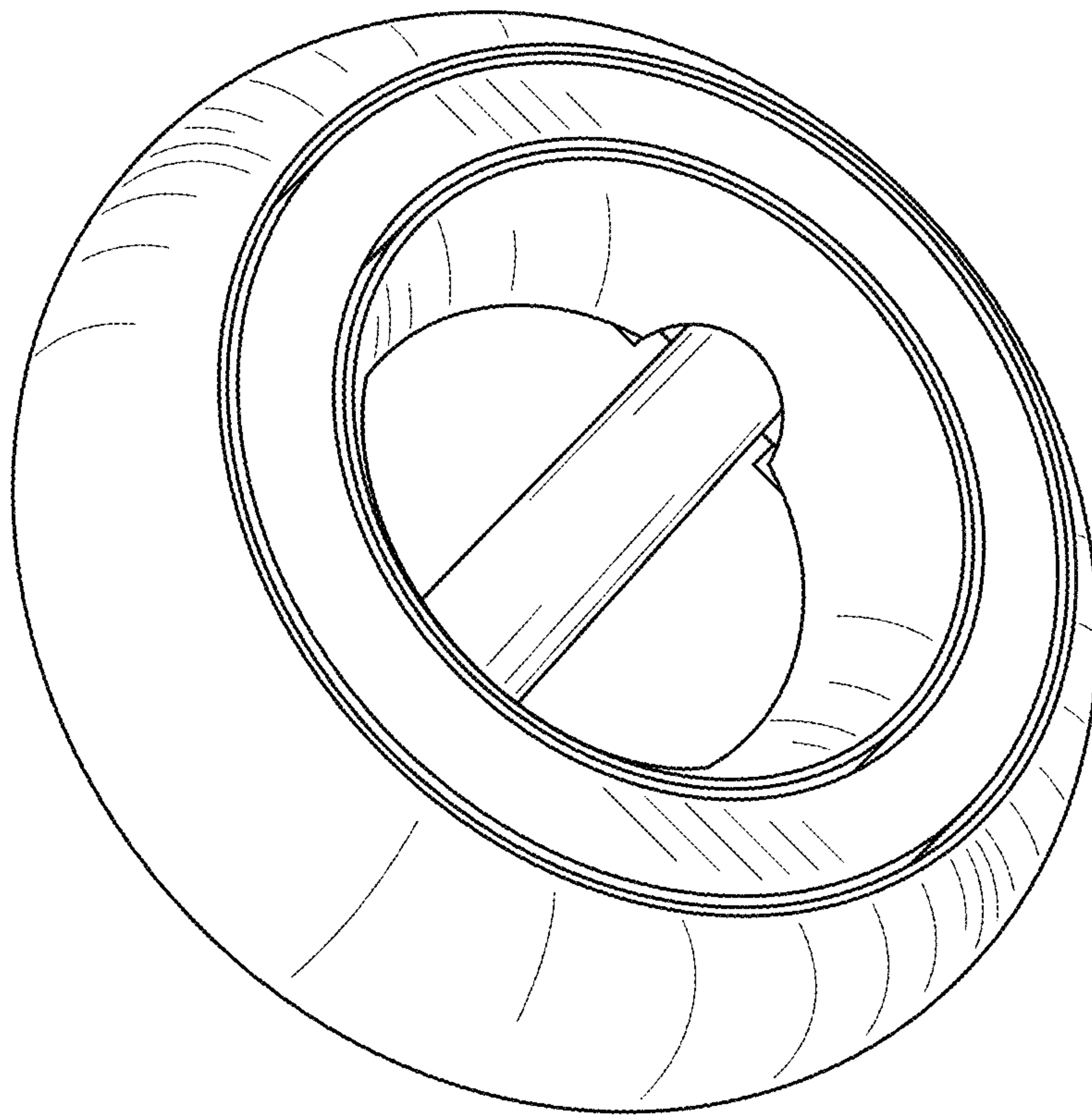


FIG. 1

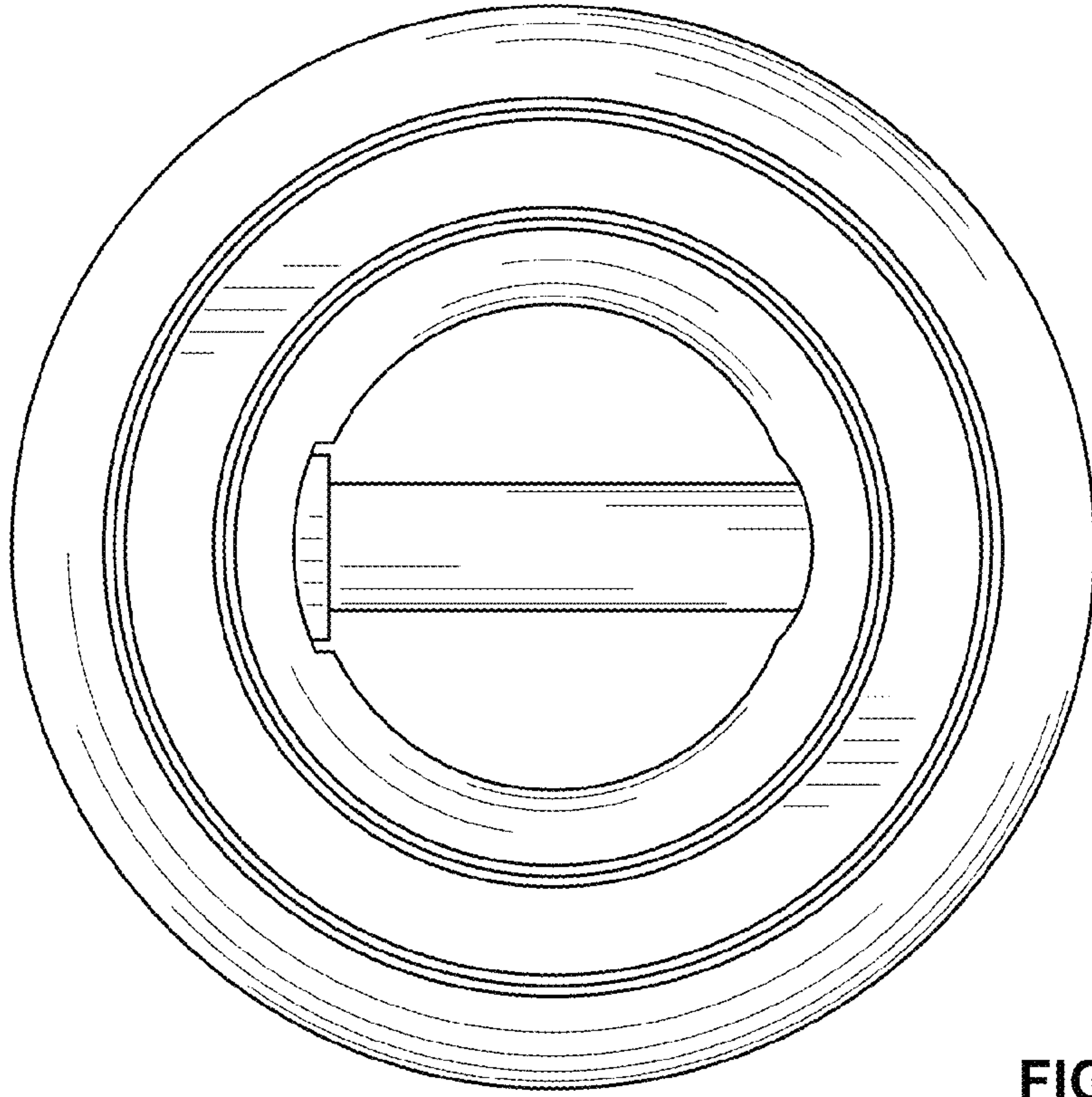


FIG. 2

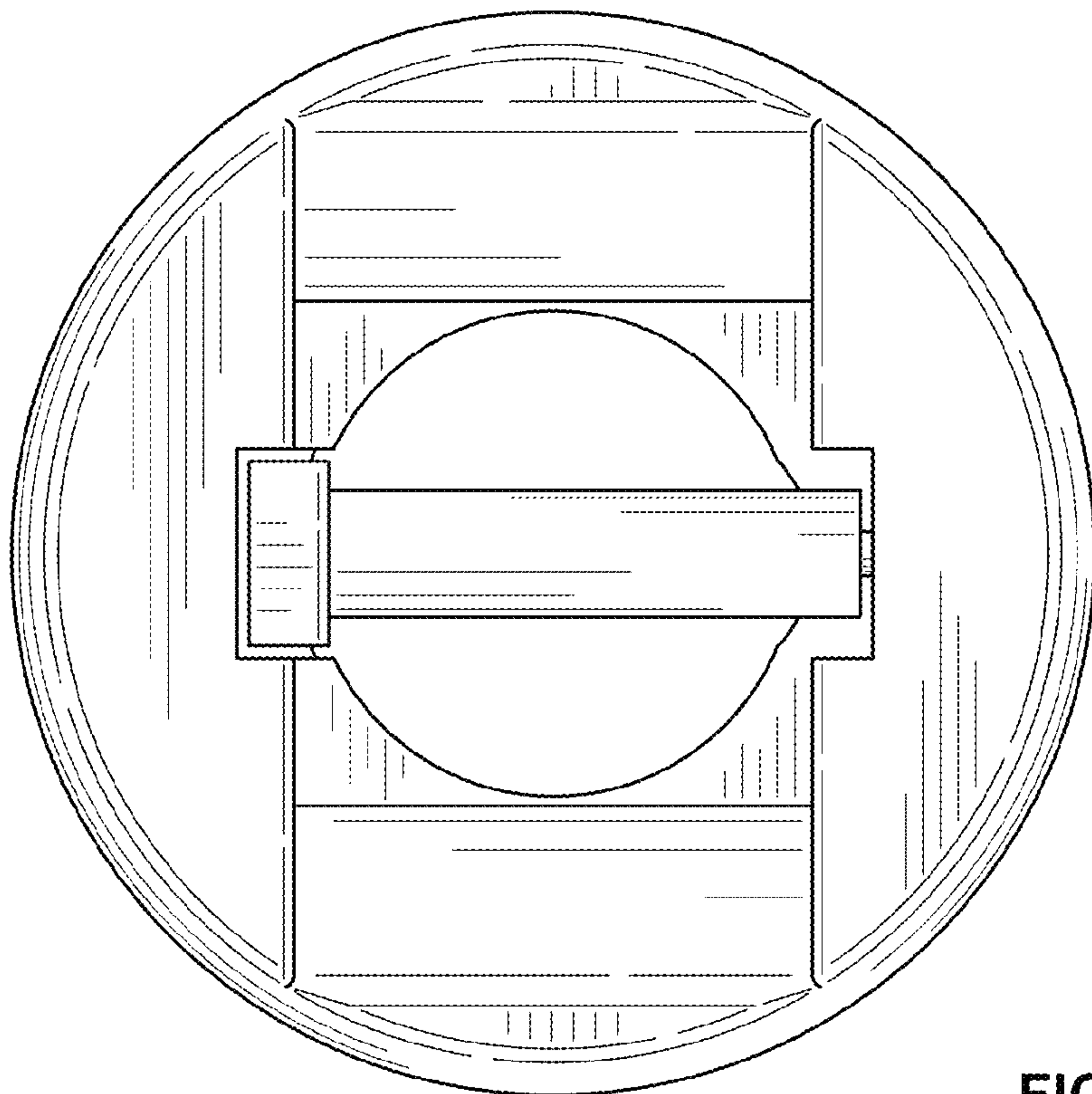


FIG. 3

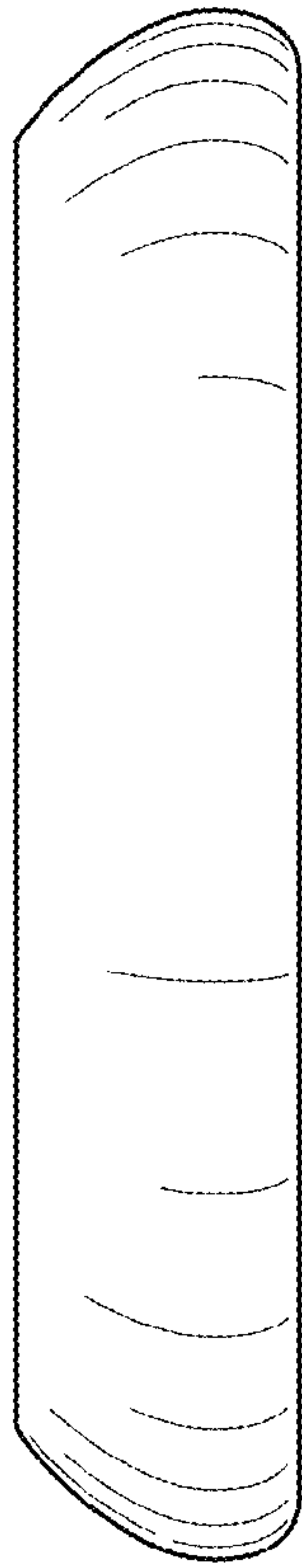


FIG. 4

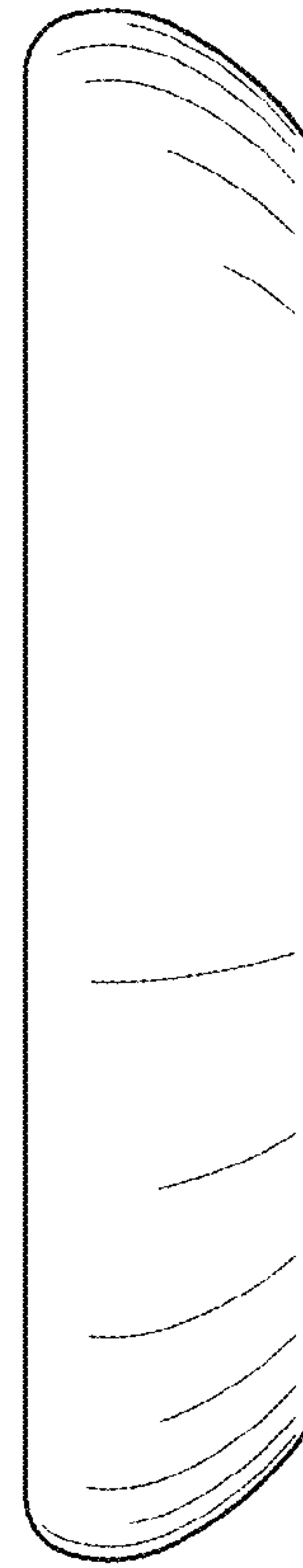


FIG. 5

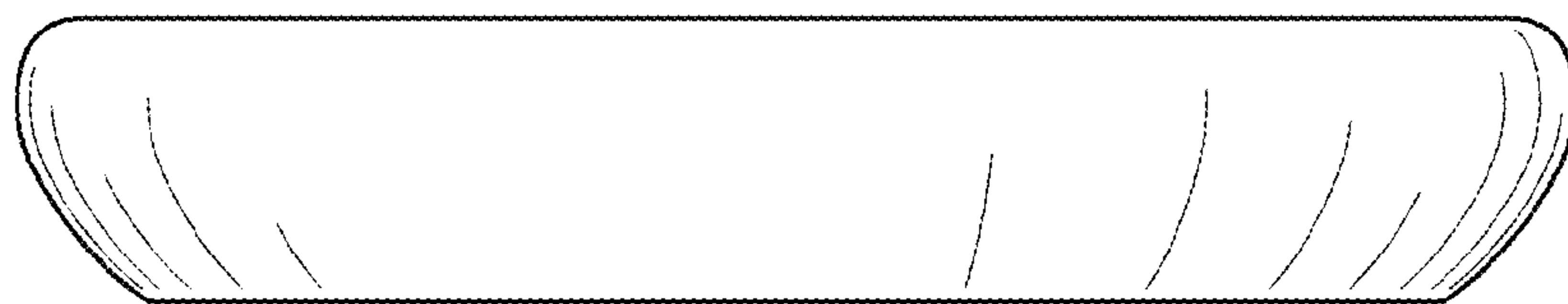


FIG. 6



FIG. 7

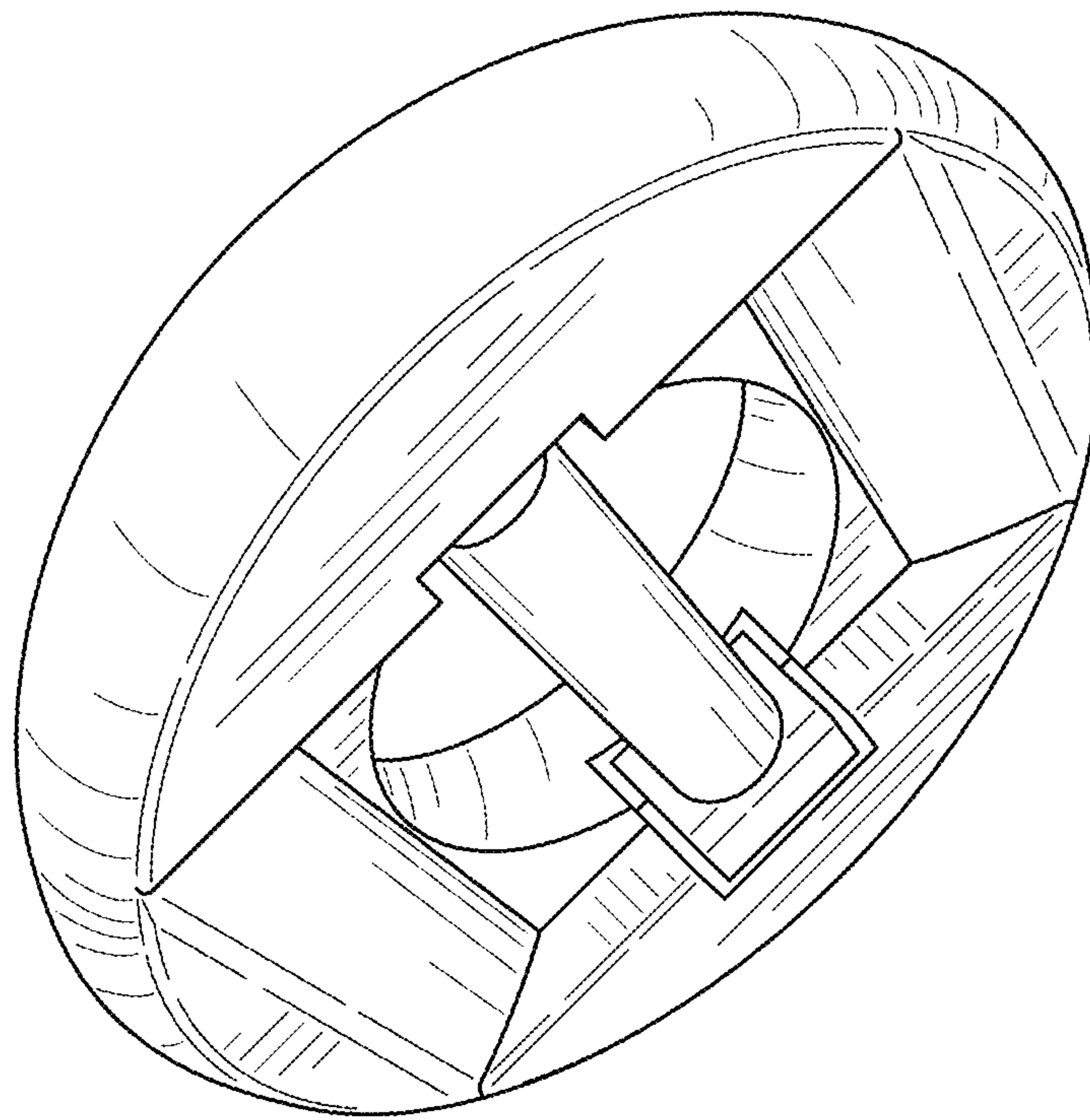


FIG. 8