



US00D754932S

(12) **United States Design Patent**
Willows et al.

(10) **Patent No.:** **US D754,932 S**
(45) **Date of Patent:** **** Apr. 26, 2016**

(54) **REFLECTIVE STRIP**

(56) **References Cited**

- (71) Applicant: **Amphipod, Inc.**, Seattle, WA (US)
- (72) Inventors: **Keith S. Willows**, Seattle, WA (US);
June A. Angus, Seattle, WA (US);
Antonio Del Rosario, Bellevue, WA (US)
- (73) Assignee: **Amphipod, Inc.**, Seattle, WA (US)
- (**) Term: **15 Years**
- (21) Appl. No.: **29/537,609**
- (22) Filed: **Aug. 27, 2015**

U.S. PATENT DOCUMENTS

2,441,002	A *	5/1948	Berglund	40/1.6
4,574,742	A *	3/1986	Morgan, Jr.	119/654
5,349,920	A *	9/1994	Koizumi	116/28 R
D369,237	S *	4/1996	Gamm	D2/975
5,520,417	A *	5/1996	Kenemer	283/74
D408,865	S *	4/1999	Link et al.	D20/42
D454,671	S *	3/2002	Miller et al.	D30/155
6,779,815	B2 *	8/2004	Vandeputte	283/67
7,404,242	B1 *	7/2008	Perler	24/712.2
D623,309	S *	9/2010	Turtzo et al.	D24/210
D664,348	S *	7/2012	Armstrong	D2/978
D670,074	S *	11/2012	Willows et al.	D2/946

* cited by examiner

Primary Examiner — Randall Gholson
(74) *Attorney, Agent, or Firm* — Lowe Graham Jones PLLC

Related U.S. Application Data

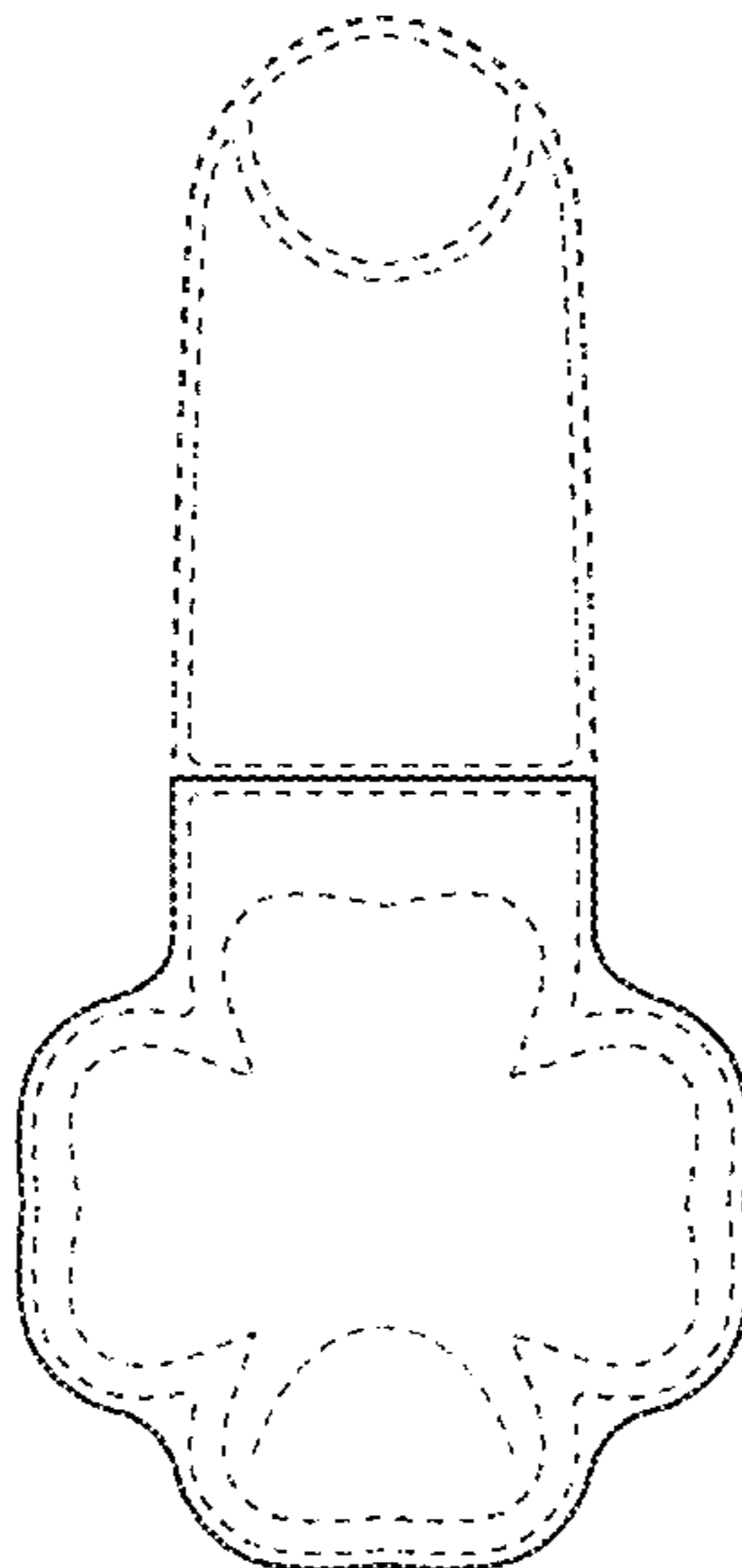
- (62) Division of application No. 29/502,100, filed on Sep. 11, 2014, now Pat. No. Des. 745,223.
- (51) **LOC (10) Cl.** **29-02**
- (52) **U.S. Cl.**
USPC **D29/122**
- (58) **Field of Classification Search**
USPC D29/122, 101.1, 101.3, 101.4, 101.2;
D2/717, 840, 841, 844, 847, 849, 830,
D2/834, 853; 2/106, 115, 116, 456;
D3/318; D11/200, 210, 95, 96;
359/515–519; 362/103; D5/99;
428/187
CPC A41D 1/00
See application file for complete search history.

(57) **CLAIM**
The ornamental design for a reflective strip, as shown and described.

DESCRIPTION

FIG. 1 is a front view of the reflective strip, showing our new design.
 FIG. 2 is a top view of the reflective strip.
 FIG. 3 is a left side view of the reflective strip.
 FIG. 4 is a right side view of the reflective strip.
 FIG. 5 is a bottom view of the reflective strip.
 FIG. 6 is rear a view of the reflective strip; and,
 FIG. 7 is a perspective view of the reflective strip, shown in a preferred environment in which the reflective strip is folded in half and clipped to a pocket of a representative shirt or other article of clothing.
 The broken lines depict portions of the reflective strip that form no part of the claimed design. The broken lines showing a pocket in FIG. 7 illustrate a preferred environment and form no part of the claimed design.

1 Claim, 2 Drawing Sheets



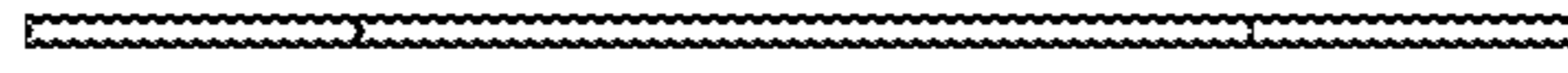


Fig. 2



Fig. 3

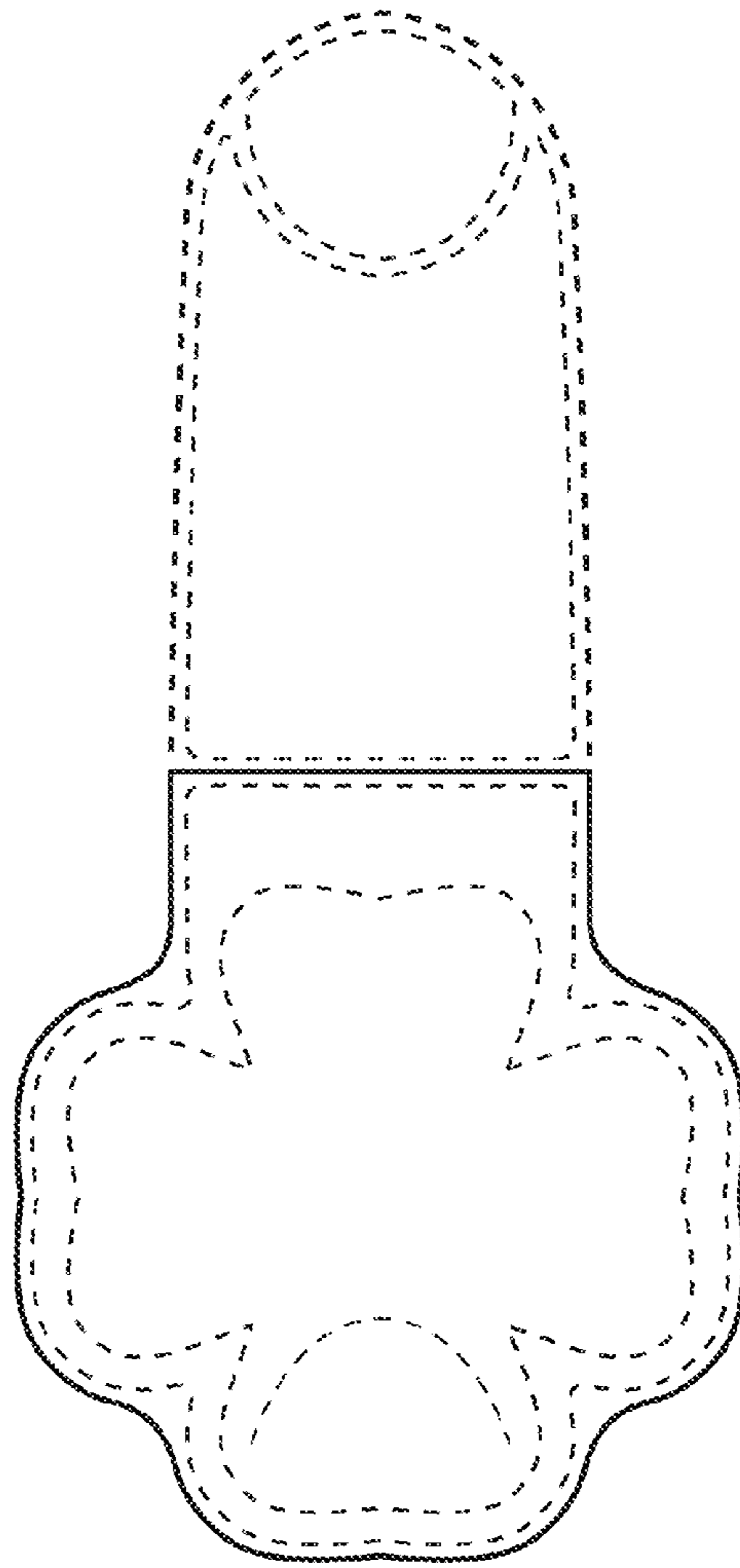


Fig. 1



Fig. 4

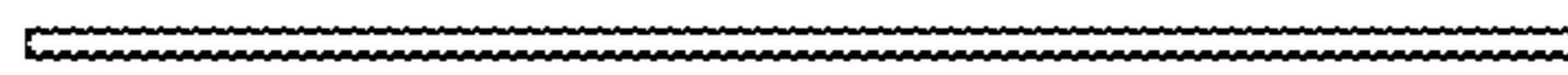


Fig. 5

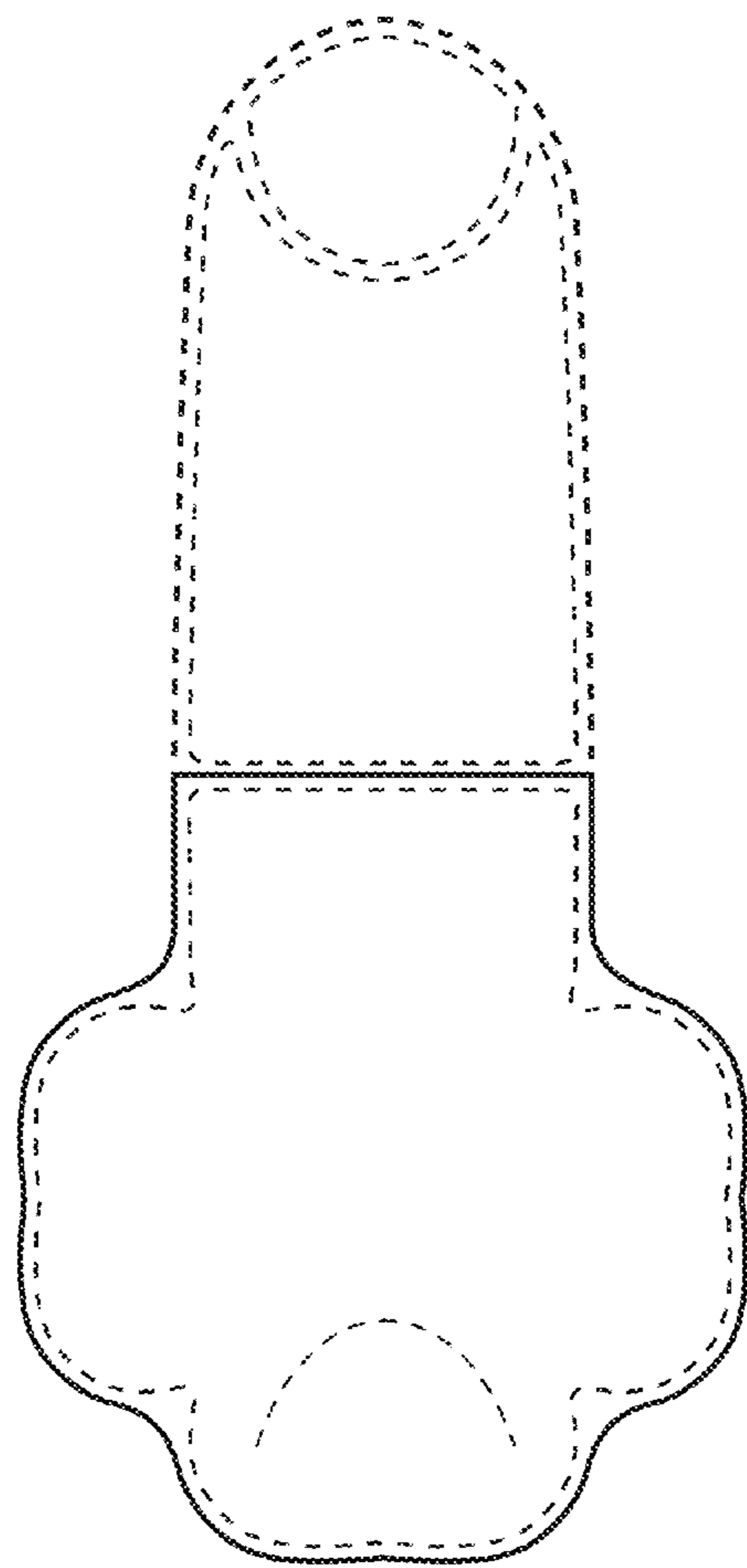


Fig. 6

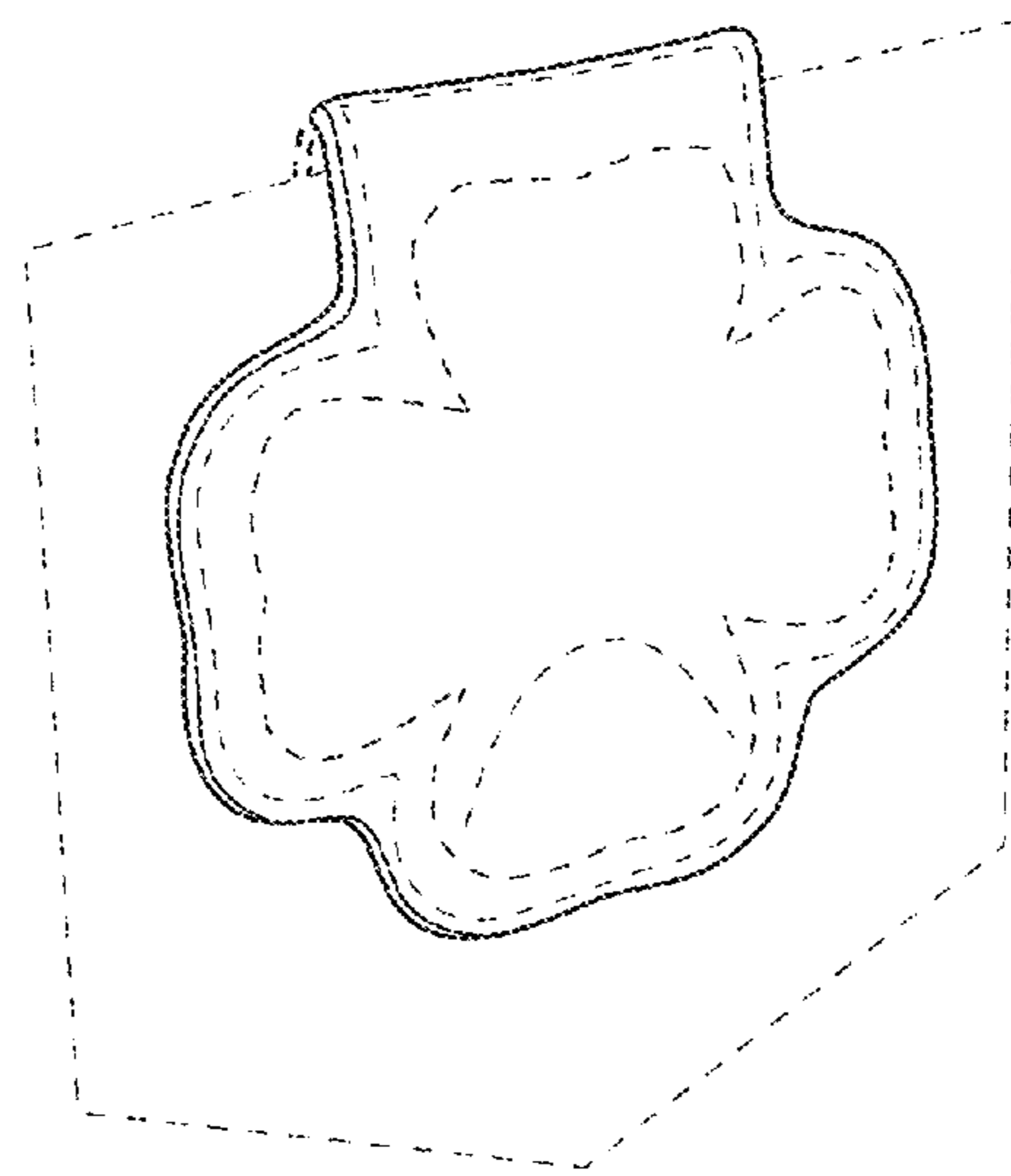


Fig. 7