



US00D754919S

(12) **United States Design Patent**  
**Alarcon et al.**

(10) **Patent No.:** **US D754,919 S**  
(45) **Date of Patent:** **\*\* Apr. 26, 2016**

(54) **MOUTHPIECE**  
(71) Applicant: **LOEC, Inc.**, Greensboro, NC (US)  
(72) Inventors: **Ramon Alarcon**, Los Gatos, CA (US);  
**Dennis Rasmussen**, Campbell, CA (US)  
(73) Assignee: **FONTEM HOLDINGS 4 B.V.**,  
Amsterdam (NL)

(\*\*) Term: **14 Years**  
(21) Appl. No.: **29/512,608**  
(22) Filed: **Dec. 19, 2014**

(51) **LOC (10) Cl.** ..... **27-02**  
(52) **U.S. Cl.**  
USPC ..... **D27/170; D27/101**  
(58) **Field of Classification Search**  
USPC ..... D27/101, 105, 108, 123, 129, 163, 164,  
D27/169, 172, 175, 183, 184, 186, 187, 189,  
D27/190, 193, 195; D25/126; D24/110;  
D9/529; D23/412, 390, 397, 366, 367,  
D23/369; D8/376, 60, 72-74, 354, 396, 394  
CPC ..... A61M 15/009; A24F 1/02; A24F 1/04;  
A24F 1/08; A24F 1/16; A24F 1/28; A24F  
1/30

See application file for complete search history.

(56) **References Cited**

**U.S. PATENT DOCUMENTS**

4,627,432 A \* 12/1986 Newell ..... A61M 15/0045  
128/200.19  
D358,545 S \* 5/1995 Price ..... D8/356  
6,196,568 B1 \* 3/2001 Stevens ..... A61G 5/12  
280/304.1  
D474,997 S \* 5/2003 Berzack ..... D11/222  
6,598,607 B2 \* 7/2003 Adiga ..... A24F 47/006  
131/194  
D478,269 S \* 8/2003 Snyder ..... D23/249  
D508,396 S \* 8/2005 Gimpel ..... D8/382  
7,077,130 B2 \* 7/2006 Nichols ..... A61M 11/041  
128/203.12  
D548,581 S \* 8/2007 Du Rousseau ..... D8/399

7,373,938 B2 \* 5/2008 Nichols ..... A61M 11/041  
128/203.17  
D571,192 S \* 6/2008 Stomp ..... D8/356  
D641,611 S \* 7/2011 Minayoshi ..... D8/354  
D655,598 S \* 3/2012 Hsu ..... D8/356  
D666,355 S \* 8/2012 Alelov ..... D27/101  
D684,311 S \* 6/2013 Liu ..... D27/101

(Continued)

**OTHER PUBLICATIONS**

Mouthpiece of Smoking Article | Nikotek 3pk Cartridge | Metro, post date N/A, @ 2015 metroecigs.com, [online], [site visited Nov. 24, 2015], Available from Internet, <http://www.metroecigs.com/product/metromentholnicotinecartridges.asp>.\*

(Continued)

*Primary Examiner* — Manpreet Matharu

*Assistant Examiner* — Jennifer Wright

(74) *Attorney, Agent, or Firm* — Dykema Gossett PLLC

(57) **CLAIM**

The ornamental design for a mouthpiece, substantially as shown and described.

**DESCRIPTION**

FIG. 1 is an isometric view of an electronic cigarette having a mouthpiece according to an embodiment of the present disclosure.

FIG. 2 is an isometric view of the top and side of the mouthpiece depicted in FIG. 1.

FIG. 3 is a top view of the mouthpiece depicted in FIG. 1.

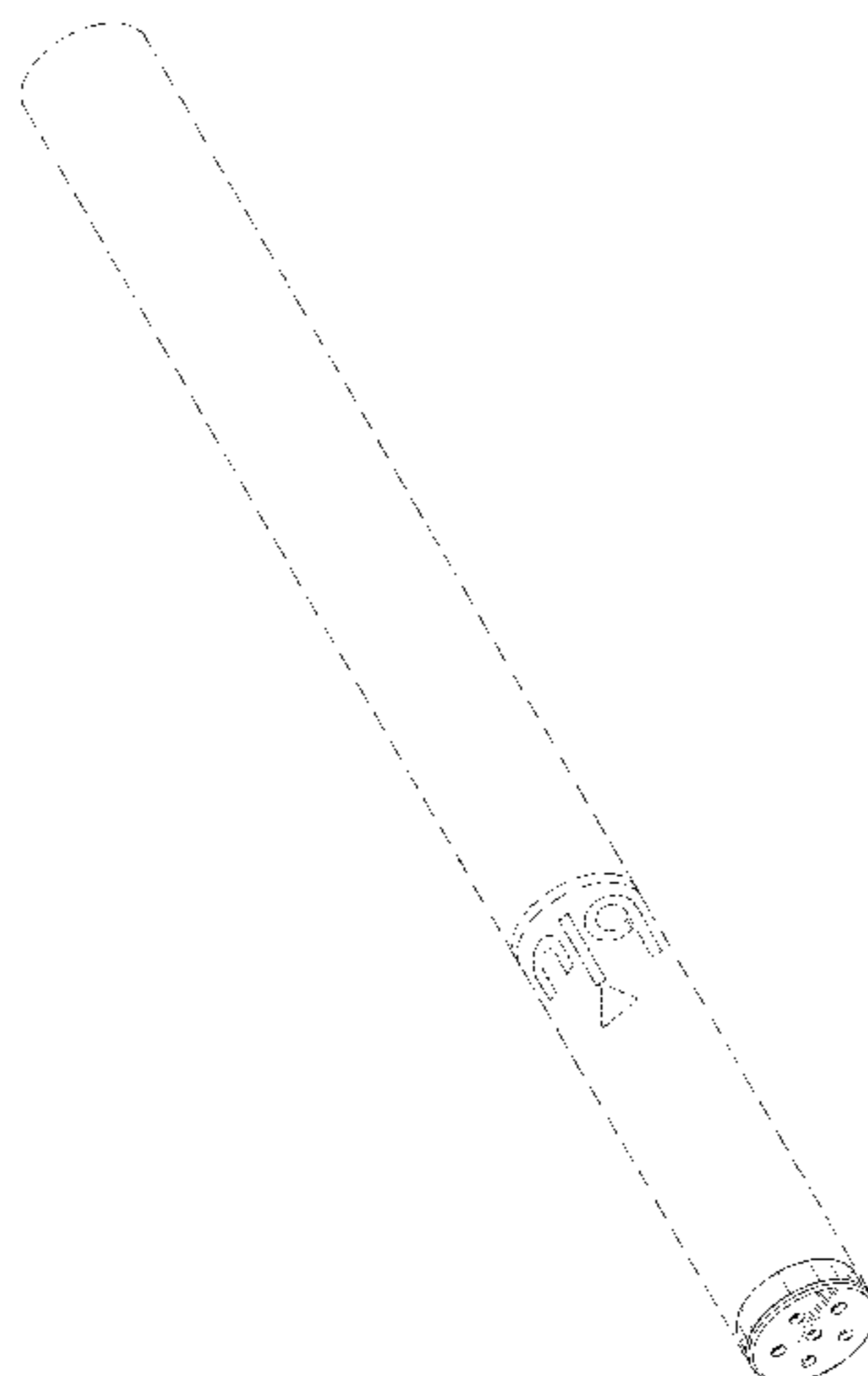
FIG. 4 is an isometric view of the bottom and side of the mouthpiece depicted in FIG. 1.

FIG. 5 is a bottom view of the mouthpiece depicted in FIG. 1; and,

FIG. 6 is a side view of the mouthpiece depicted in FIG. 1.

The dashed lines of FIG. 1 showing the remainder of an electronic cigarette are directed toward environment. The subject matter shown in dashed lines forms no part of the claimed design.

**1 Claim, 3 Drawing Sheets**



(56)

**References Cited**

U.S. PATENT DOCUMENTS

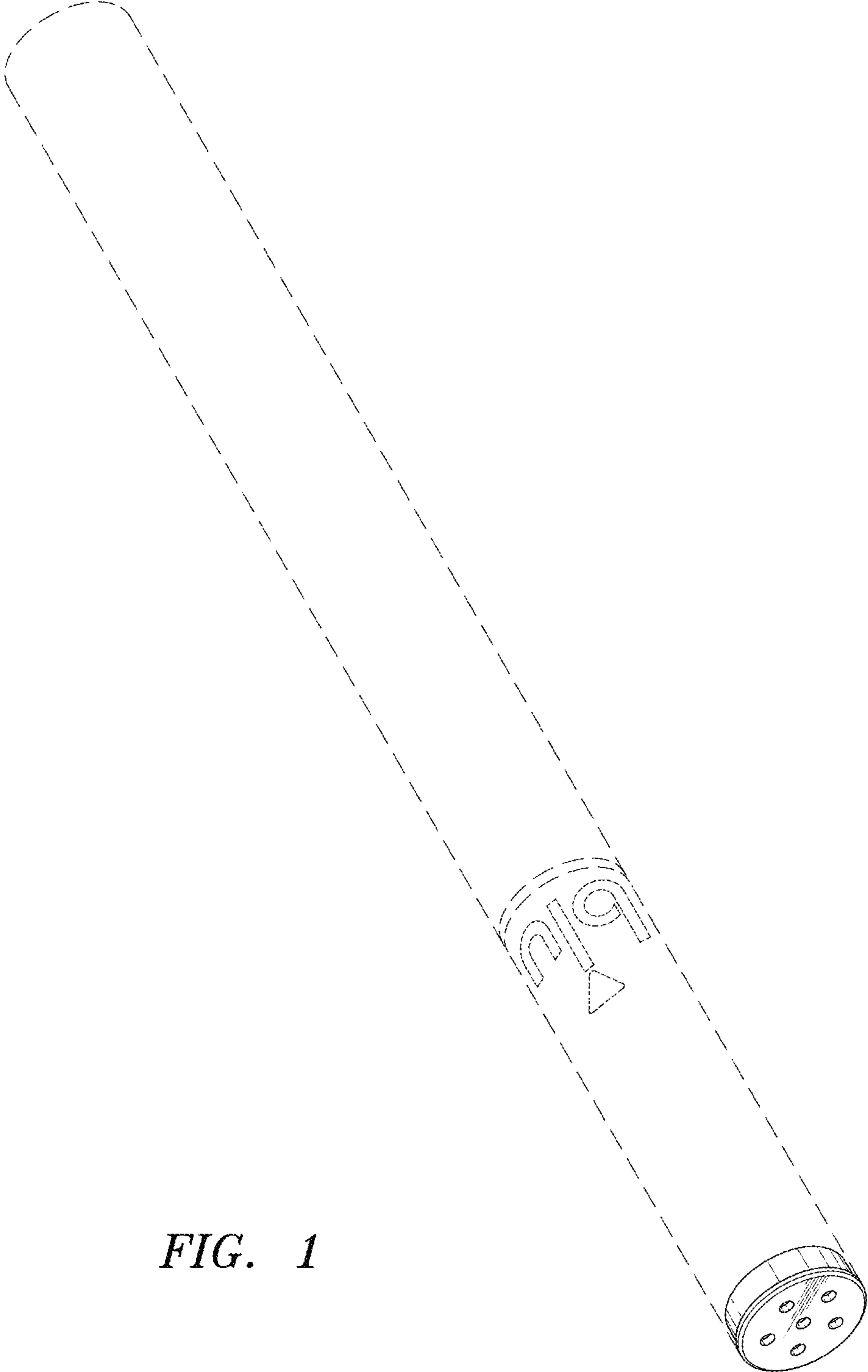
D685,522 S \* 7/2013 Potter ..... D27/101  
8,499,766 B1 \* 8/2013 Newton ..... A24F 47/008  
131/273  
D691,766 S \* 10/2013 Tucker ..... D27/101  
D722,196 S \* 2/2015 Tucker ..... D27/101  
D738,567 S \* 9/2015 Tucker ..... D27/101  
2010/0200008 A1 \* 8/2010 Taieb ..... A24F 47/008  
131/360  
2011/0088707 A1 \* 4/2011 Hajaligol ..... A24B 15/165  
131/194  
2012/0186593 A1 \* 7/2012 Grano ..... A24D 3/041  
131/202

2014/0261486 A1 9/2014 Potter et al.  
2014/0261493 A1 9/2014 Smith et al.  
2014/0345632 A1\* 11/2014 Scatterday ..... A24F 47/008  
131/329  
2015/0020822 A1 1/2015 Janardhan et al.  
2015/0027457 A1 1/2015 Janardhan et al.  
2015/0059780 A1 3/2015 Davis et al.

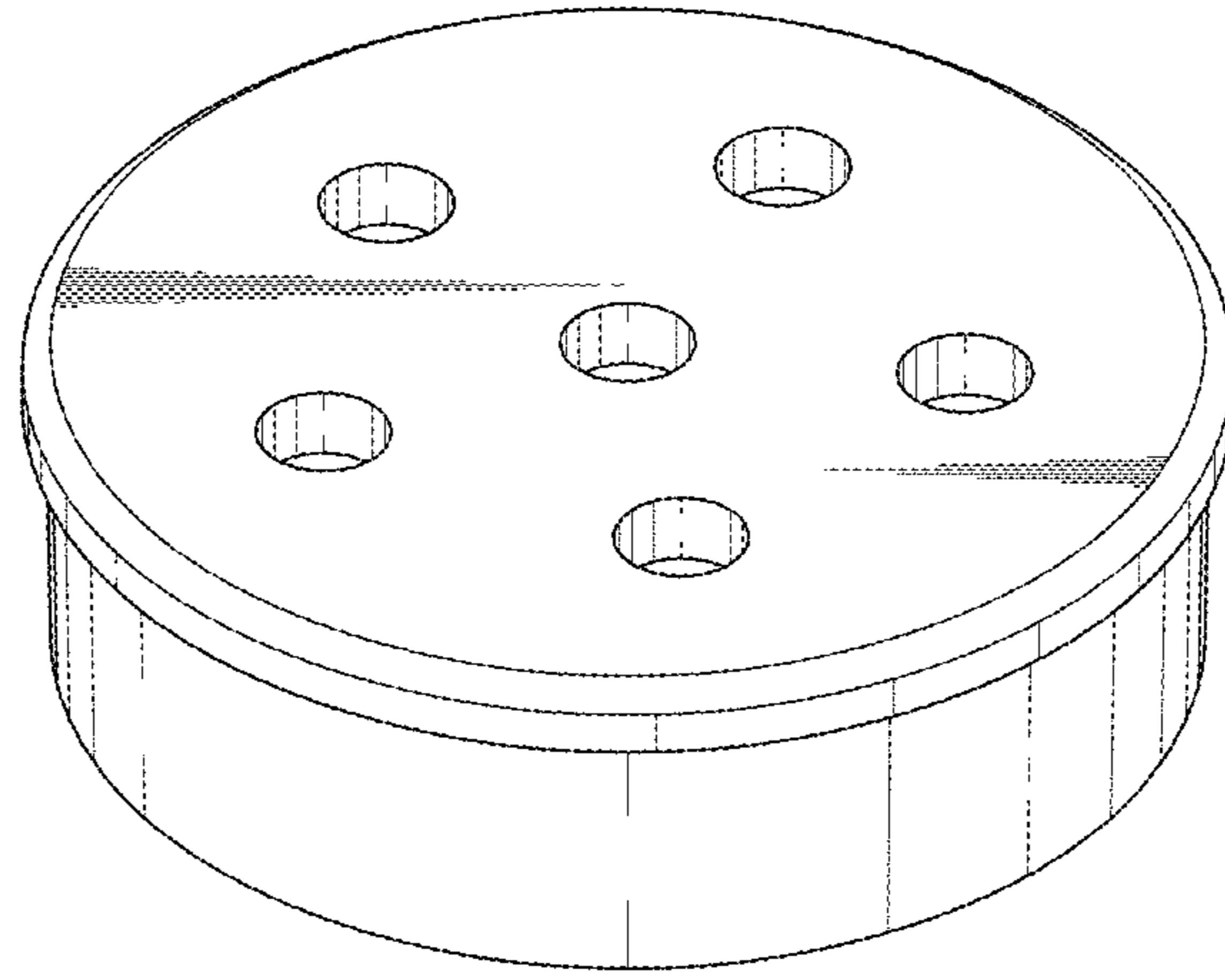
OTHER PUBLICATIONS

Mouthpiece of Smoking Article | V2 Cigs Blue | Ecigarette Reviewed  
| post date Mar. 24, 2014 © 2015 ecigarettereviewed.com, [online],  
[site visited Nov. 24, 2015] Available from Internet, <http://ecigarettereviewed.com/blu-cigs-review/>.\*

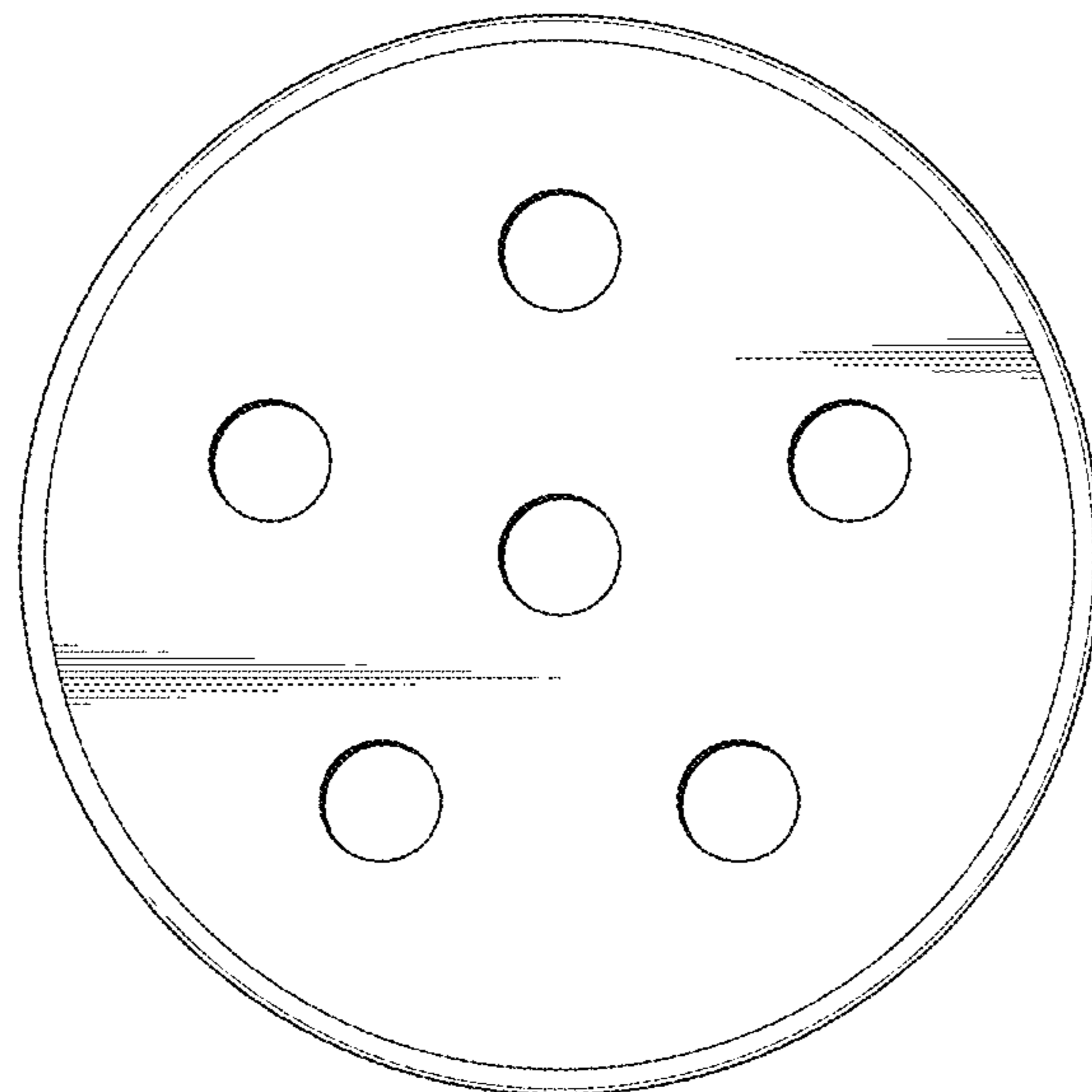
\* cited by examiner



*FIG. 1*



*FIG. 2*



*FIG. 3*

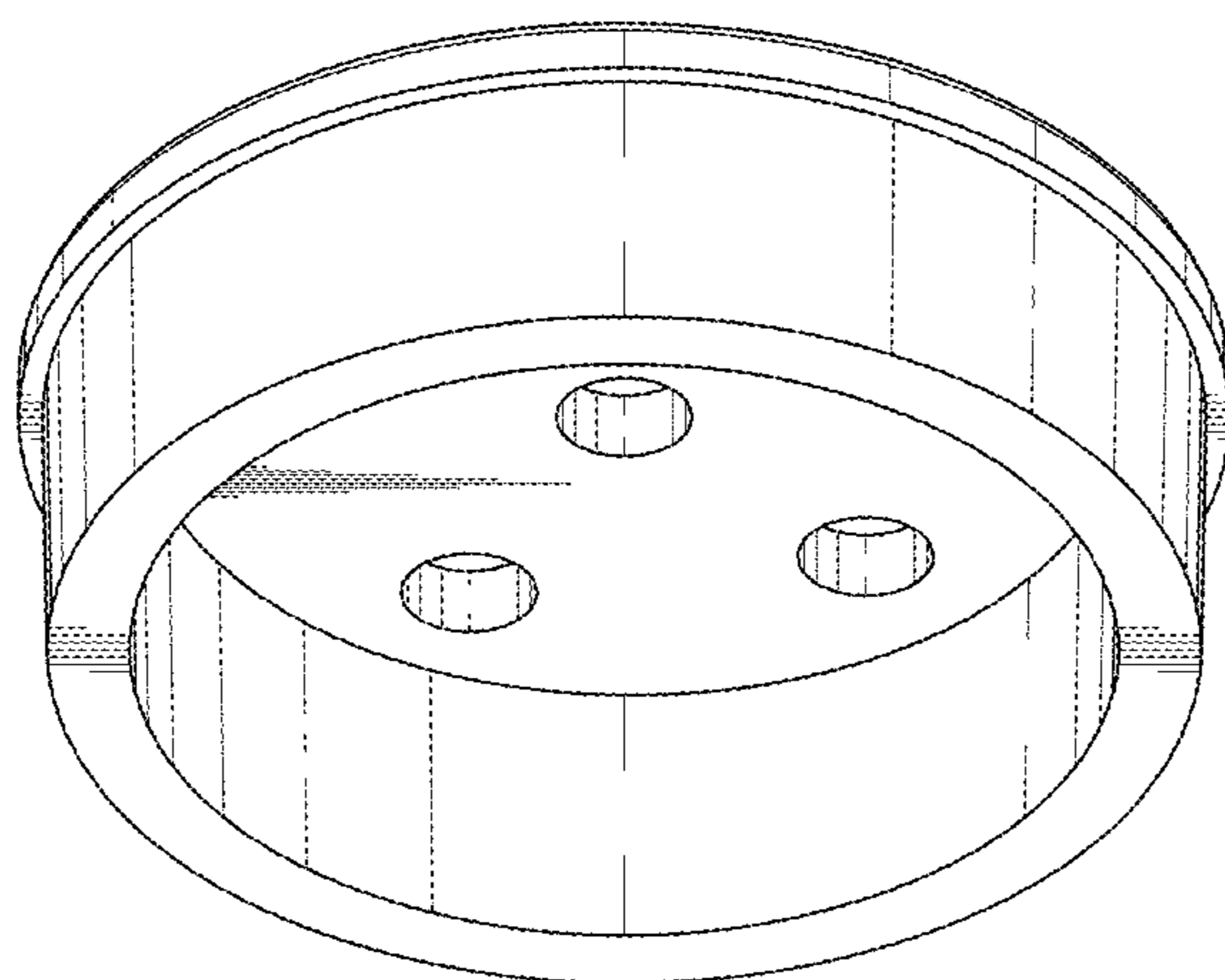


FIG. 4

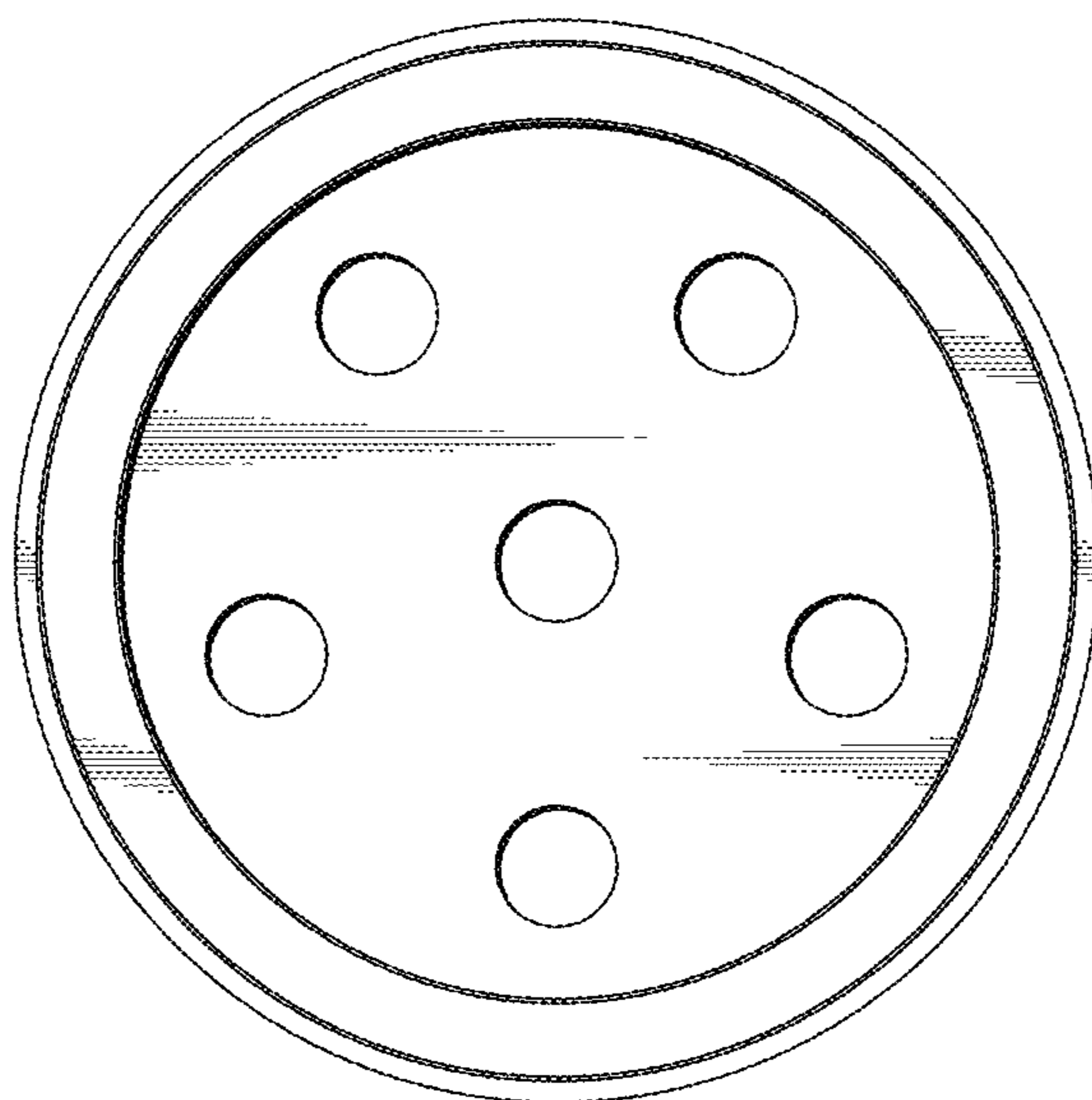


FIG. 5

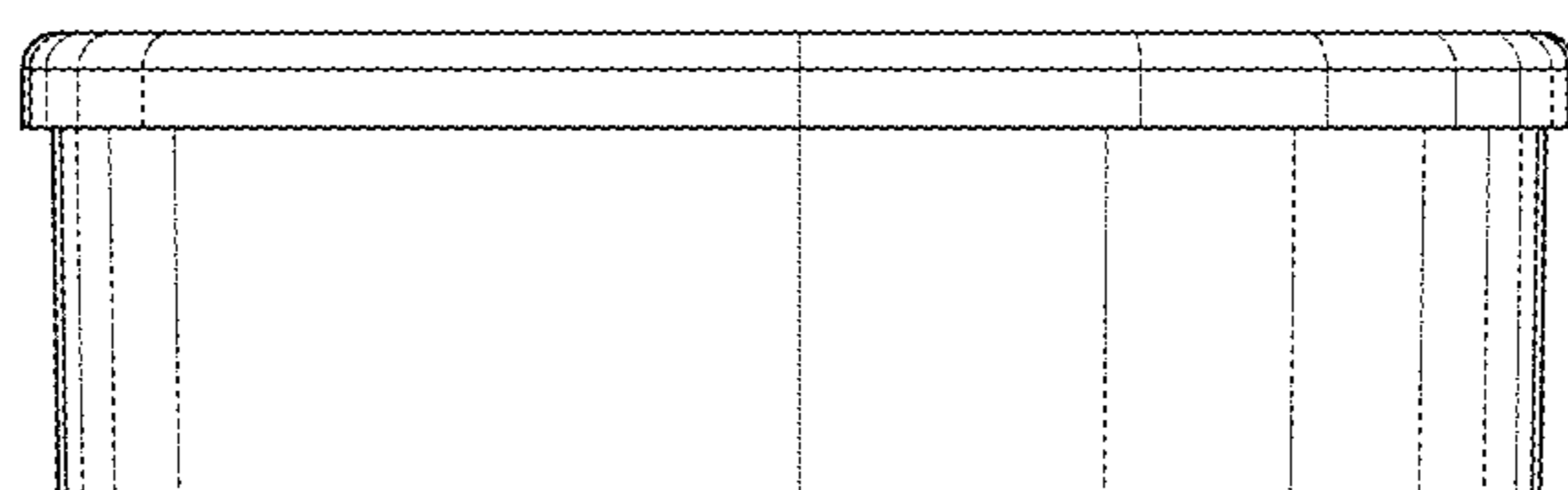


FIG. 6