



US00D754918S

(12) **United States Design Patent**
Jergenson

(10) **Patent No.:** **US D754,918 S**

(45) **Date of Patent:** **** Apr. 26, 2016**

(54) **SMOKING PIPE**

D442,329 S * 5/2001 Najar D26/38

(71) Applicant: **Phillip Edward Jergenson**, Willits, CA
(US)

* cited by examiner

(72) Inventor: **Phillip Edward Jergenson**, Willits, CA
(US)

Primary Examiner — Susan Bennett Hattan

Assistant Examiner — Janice Hallmark

(74) *Attorney, Agent, or Firm* — Edward S. Sherman

(**) Term: **15 Years**

(57) **CLAIM**

(21) Appl. No.: **29/535,836**

The ornamental design for a smoking pipe, as shown and described.

(22) Filed: **Aug. 11, 2015**

(51) **LOC (10) Cl.** **27-02**

(52) **U.S. Cl.**

USPC **D27/163**

(58) **Field of Classification Search**

USPC D27/163, 164, 166, 167, 168, 169

CPC A24F 5/10; A24F 1/00

See application file for complete search history.

DESCRIPTION

(56) **References Cited**

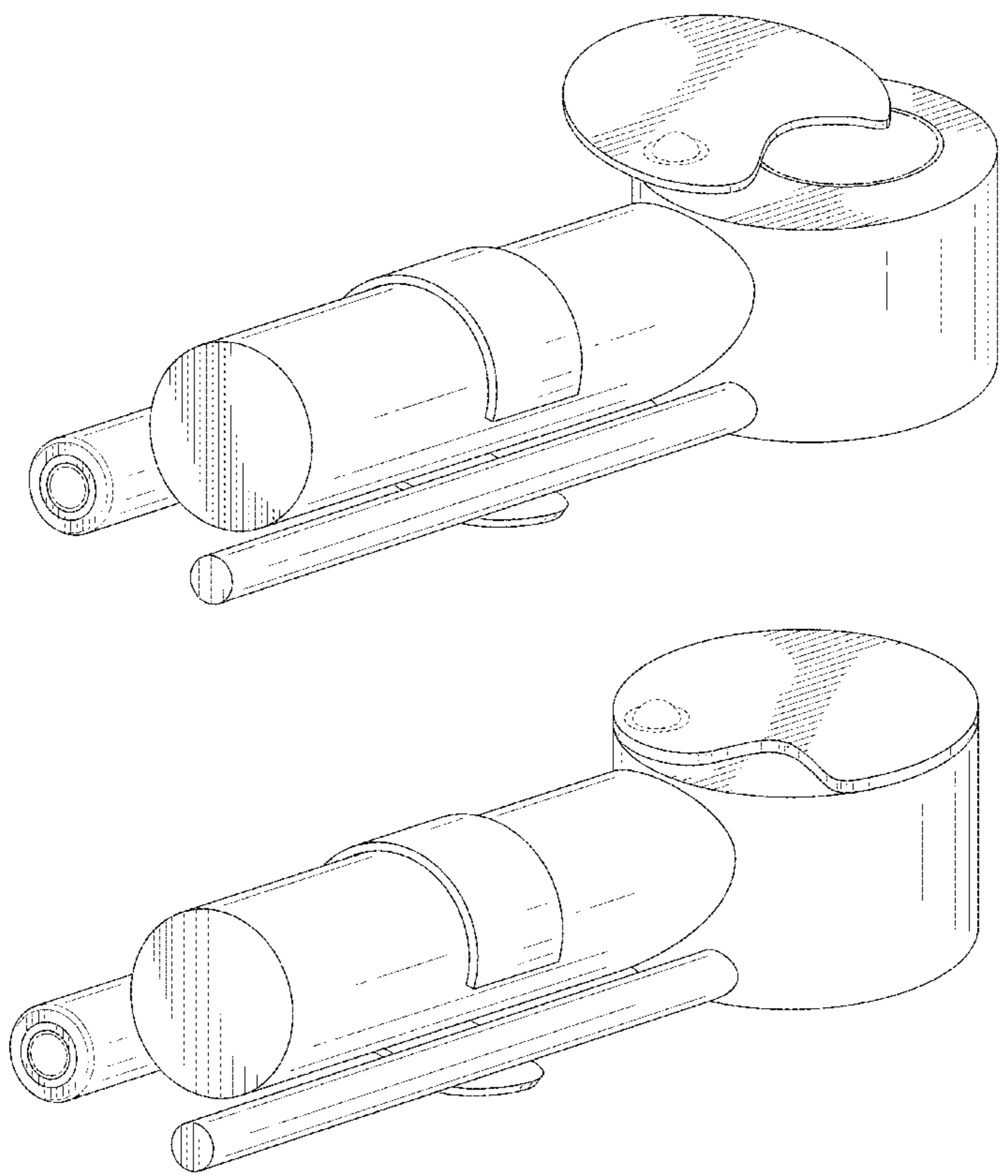
U.S. PATENT DOCUMENTS

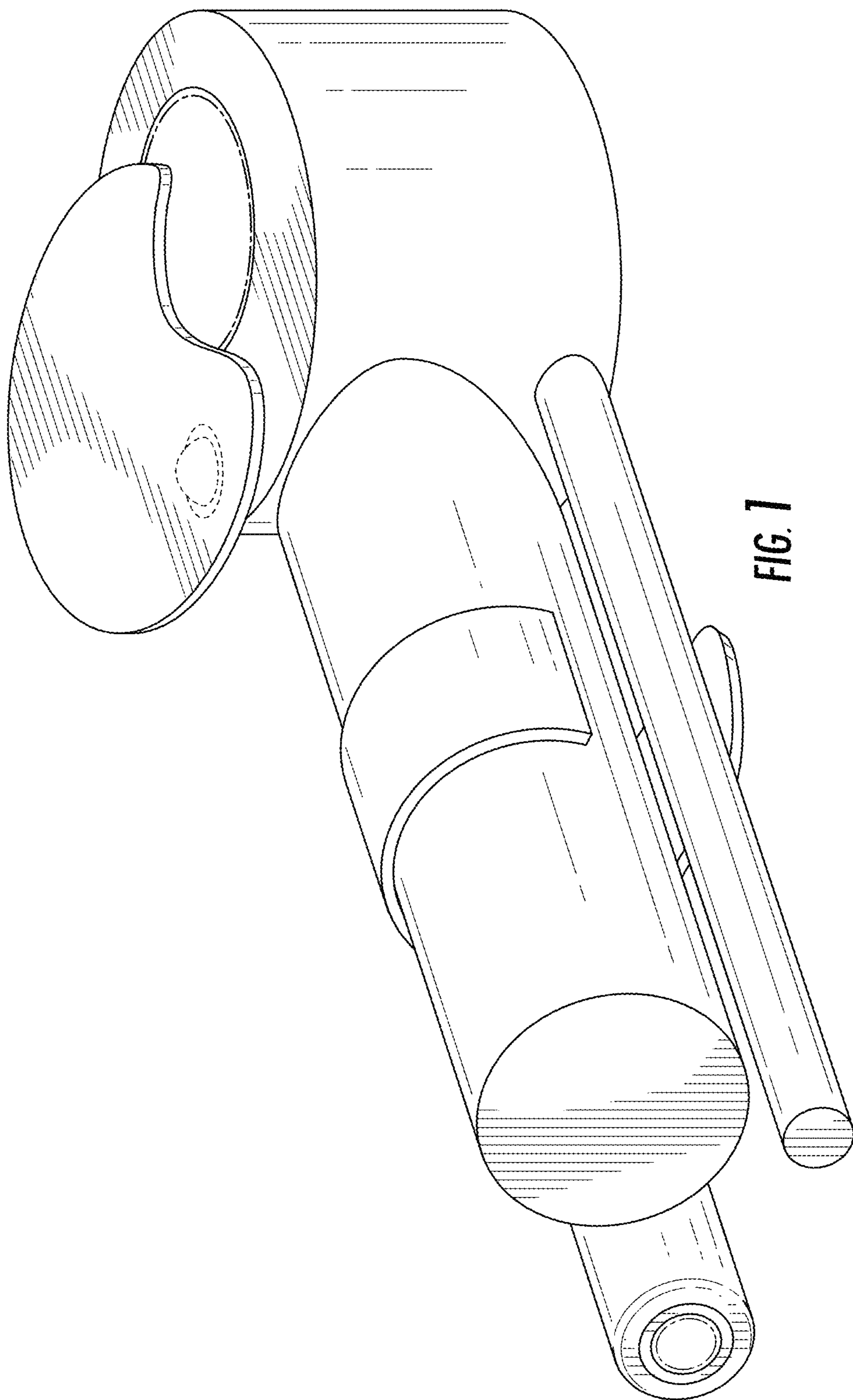
D124,752 S *	1/1941	Richards	131/224
D158,222 S *	4/1950	Schmidt	131/186
D189,331 S *	11/1960	Oden	131/202
3,048,179 A *	8/1962	Stieger	A24F 1/00 131/195
4,252,135 A *	2/1981	Herman	A24F 3/00 131/176
D259,587 S	6/1981	Jergenson	

FIG. 1 is a perspective view of the smoking pipe showing my new design in an open position;
FIG. 2 is a perspective view of the smoking pipe in a closed position;
FIG. 3 is a right side elevation view thereof;
FIG. 4 is a top plan view thereof;
FIG. 5 is a left side elevation view thereof;
FIG. 6 is a bottom plan view thereof;
FIG. 7 is a front elevation view thereof; and,
FIG. 8 is a back elevation view thereof.

The dash-dash broken lines in FIGS. 1 through 8 depict unclaimed environment; the dash-dot-dash lines in FIGS. 1, 2, and 8, depict boundaries of the claim; all broken lines are unclaimed.

1 Claim, 5 Drawing Sheets





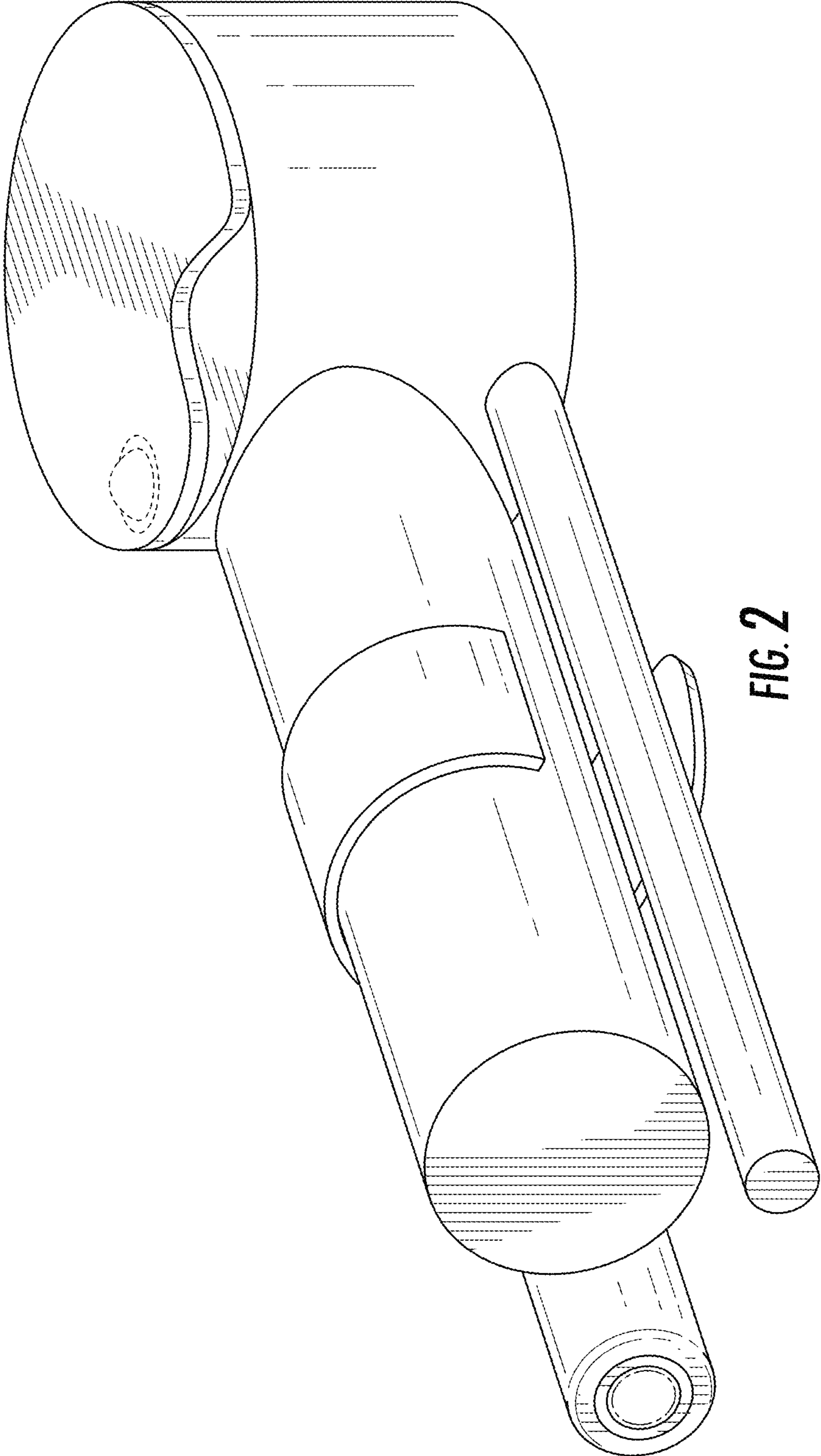


FIG. 2

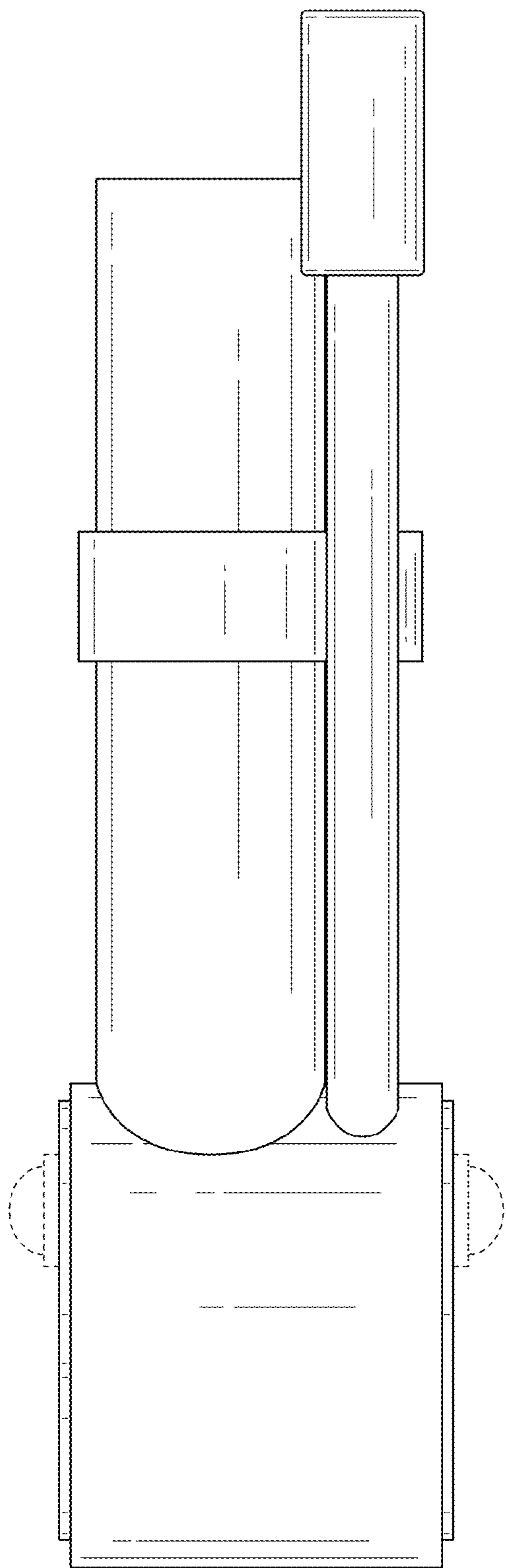


FIG. 3

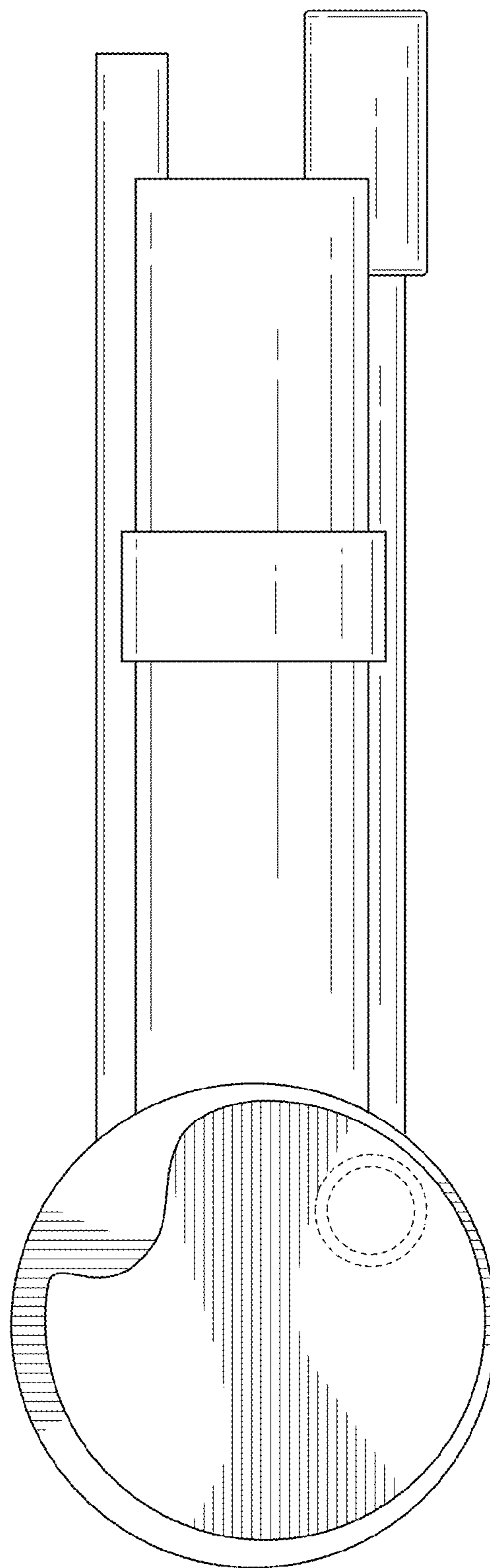


FIG. 4

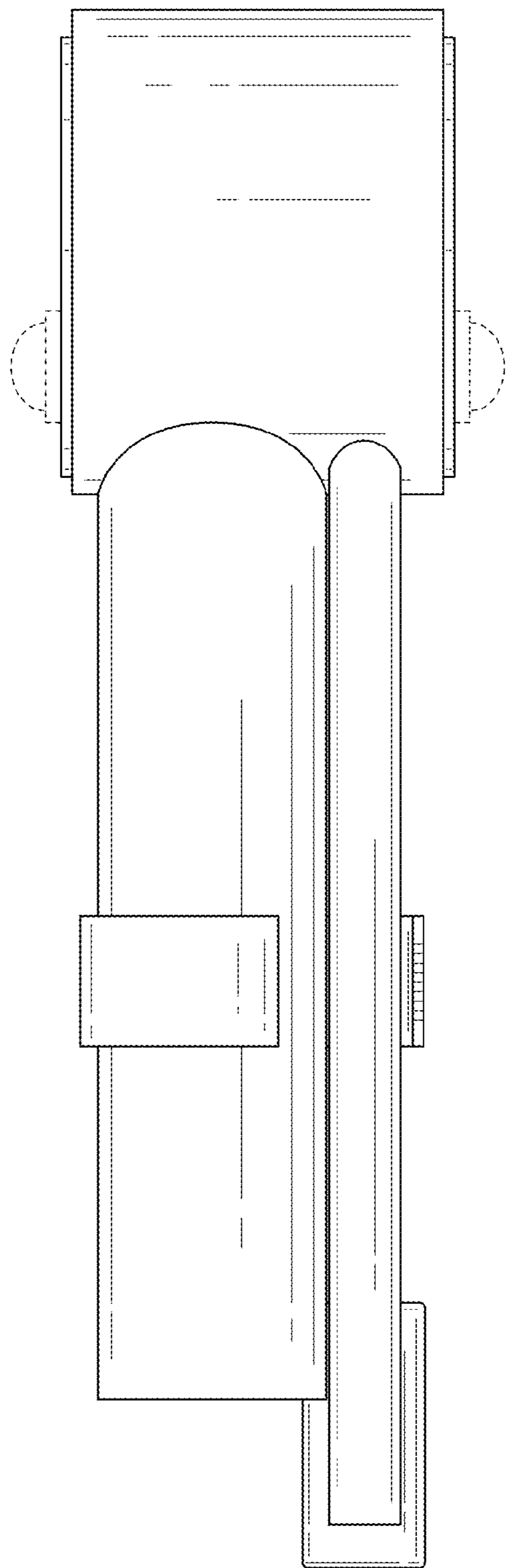


FIG. 5

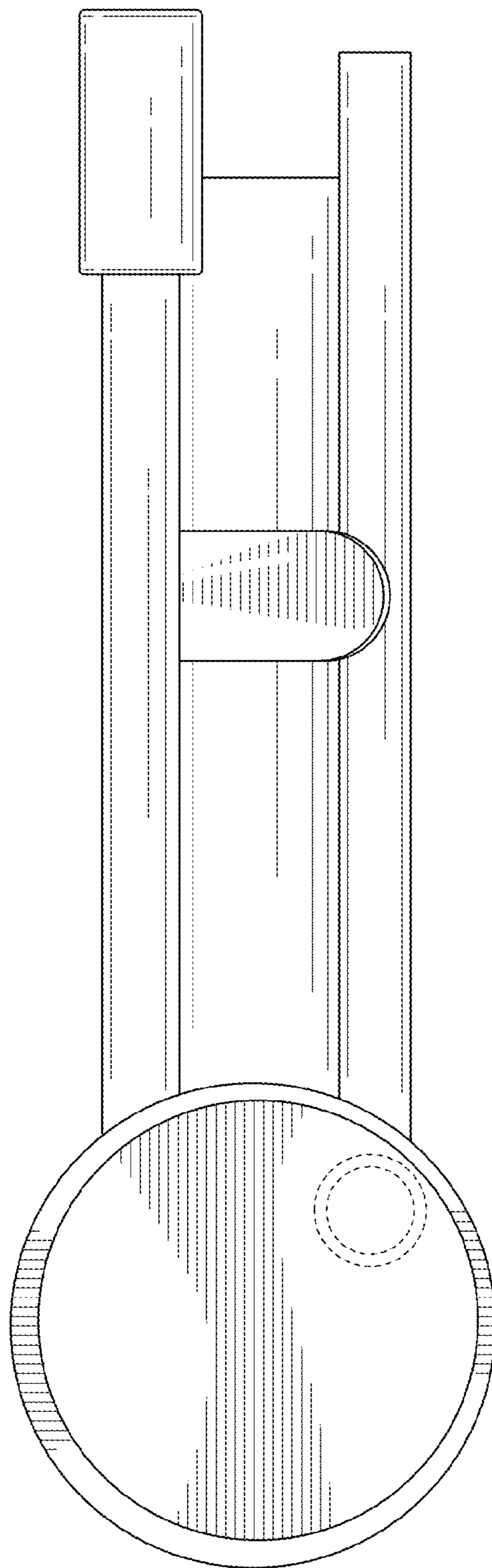


FIG. 6

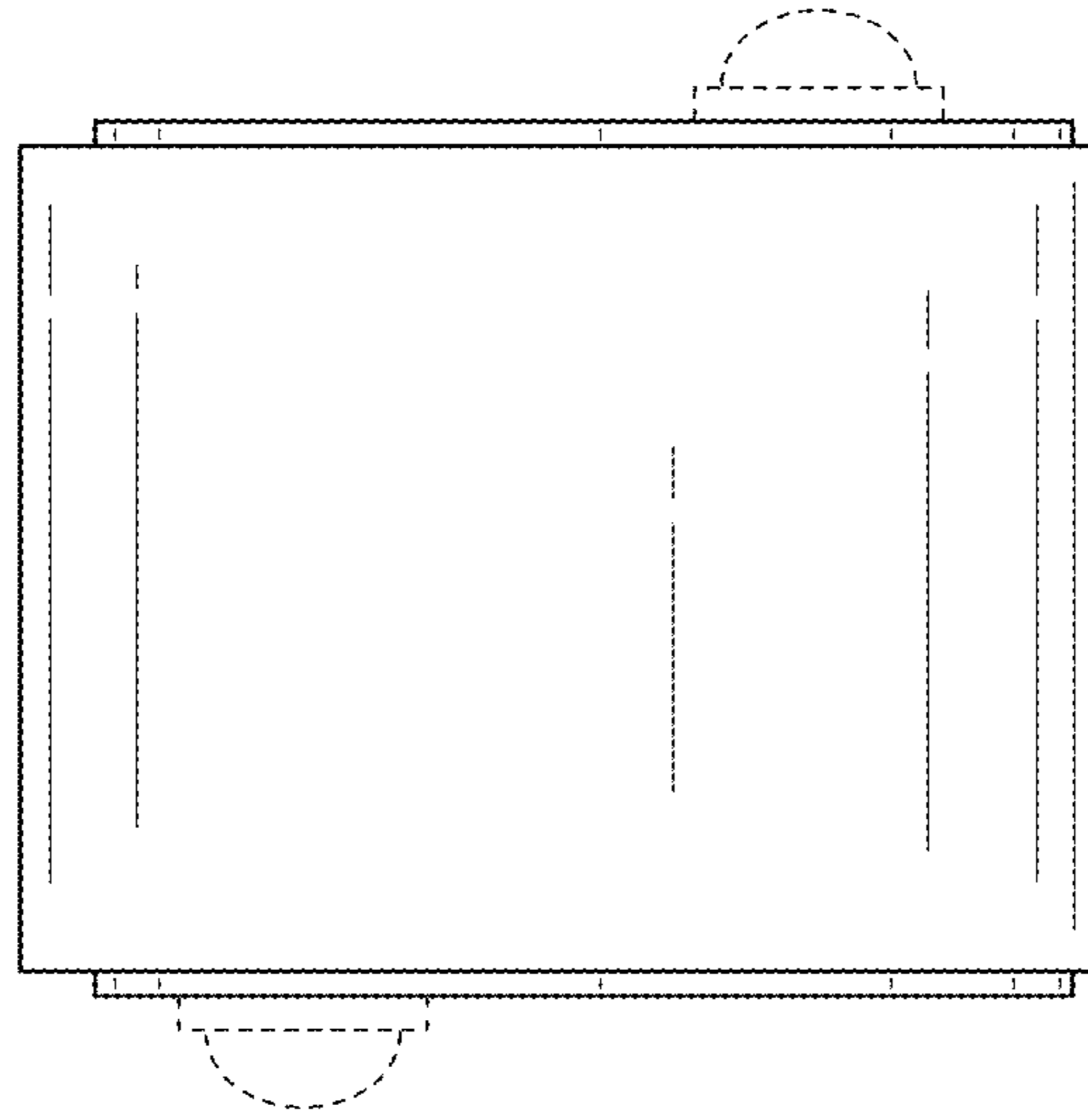


FIG. 7

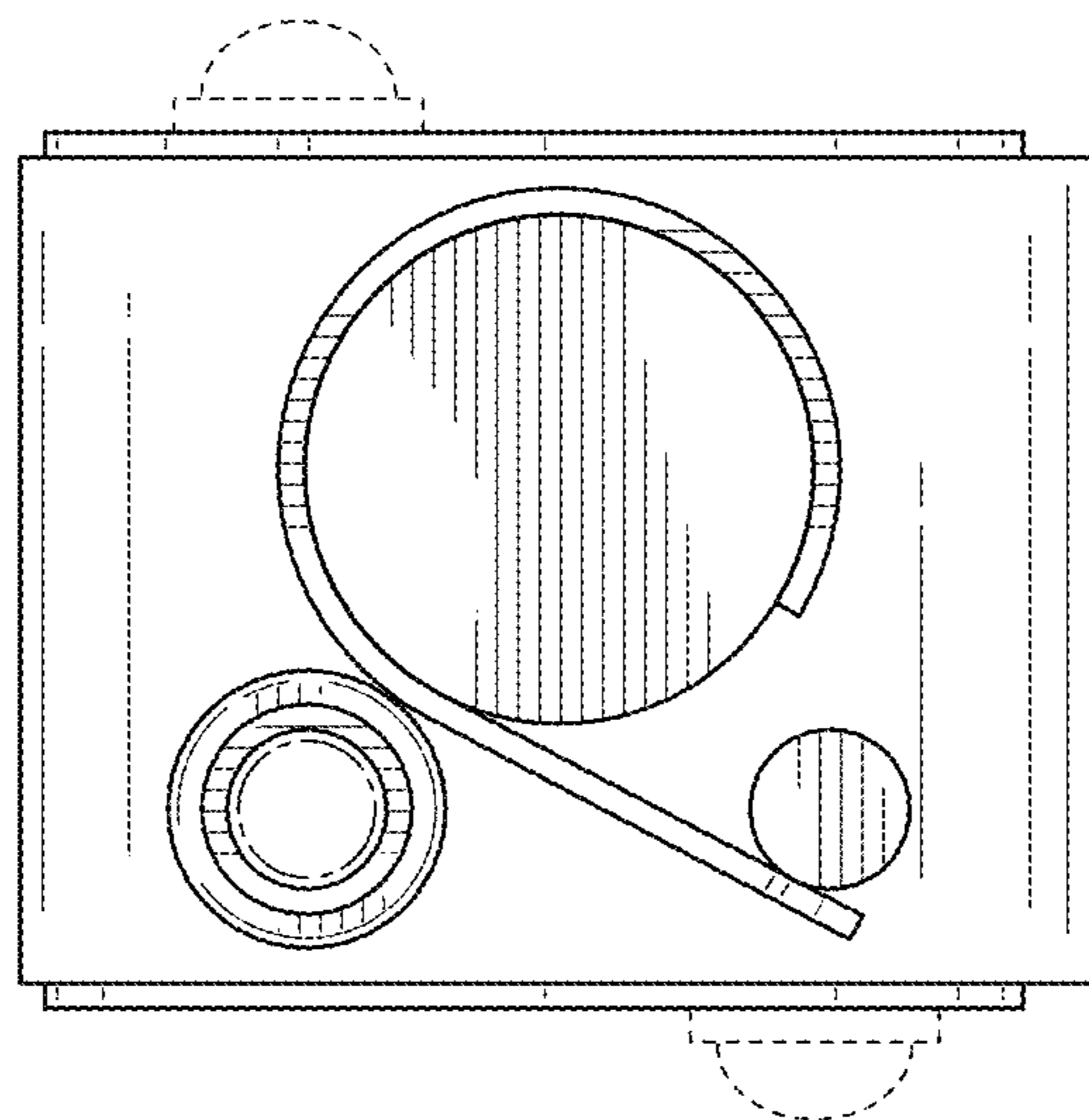


FIG. 8