



US00D754917S

(12) **United States Design Patent**
Salem

(10) **Patent No.:** **US D754,917 S**
(45) **Date of Patent:** **** Apr. 26, 2016**

- (54) **VAPORIZER**
- (71) Applicant: **Omar Salem**, San Diego, CA (US)
- (72) Inventor: **Omar Salem**, San Diego, CA (US)
- (**) Term: **14 Years**
- (21) Appl. No.: **29/483,633**
- (22) Filed: **Feb. 28, 2014**
- (51) **LOC (10) Cl.** **27-02**
- (52) **U.S. Cl.**
USPC **D27/163; D27/167**
- (58) **Field of Classification Search**
USPC D27/100, 101, 163, 169, 172, 194, 167;
131/270–273, 360–368, 329, 330;
128/202.21; D23/360, 363
CPC A24C 1/18; A24D 1/00; A61M 15/06;
A24F 47/002; A24F 1/28; A24F 47/008
See application file for complete search history.

- 2013/0192618 A1* 8/2013 Li A24F 47/008
131/329
- 2014/0109921 A1* 4/2014 Chen A24F 47/008
131/273
- 2014/0332020 A1* 11/2014 Li A24F 47/008
131/329
- 2015/0013702 A1* 1/2015 Liu A24F 47/008
131/329
- 2015/0020831 A1* 1/2015 Weigensberg A24F 47/008
131/329

* cited by examiner

Primary Examiner — Susan Bennett Hattan
Assistant Examiner — Janice Hallmark
(74) *Attorney, Agent, or Firm* — Mandour & Associates, APC

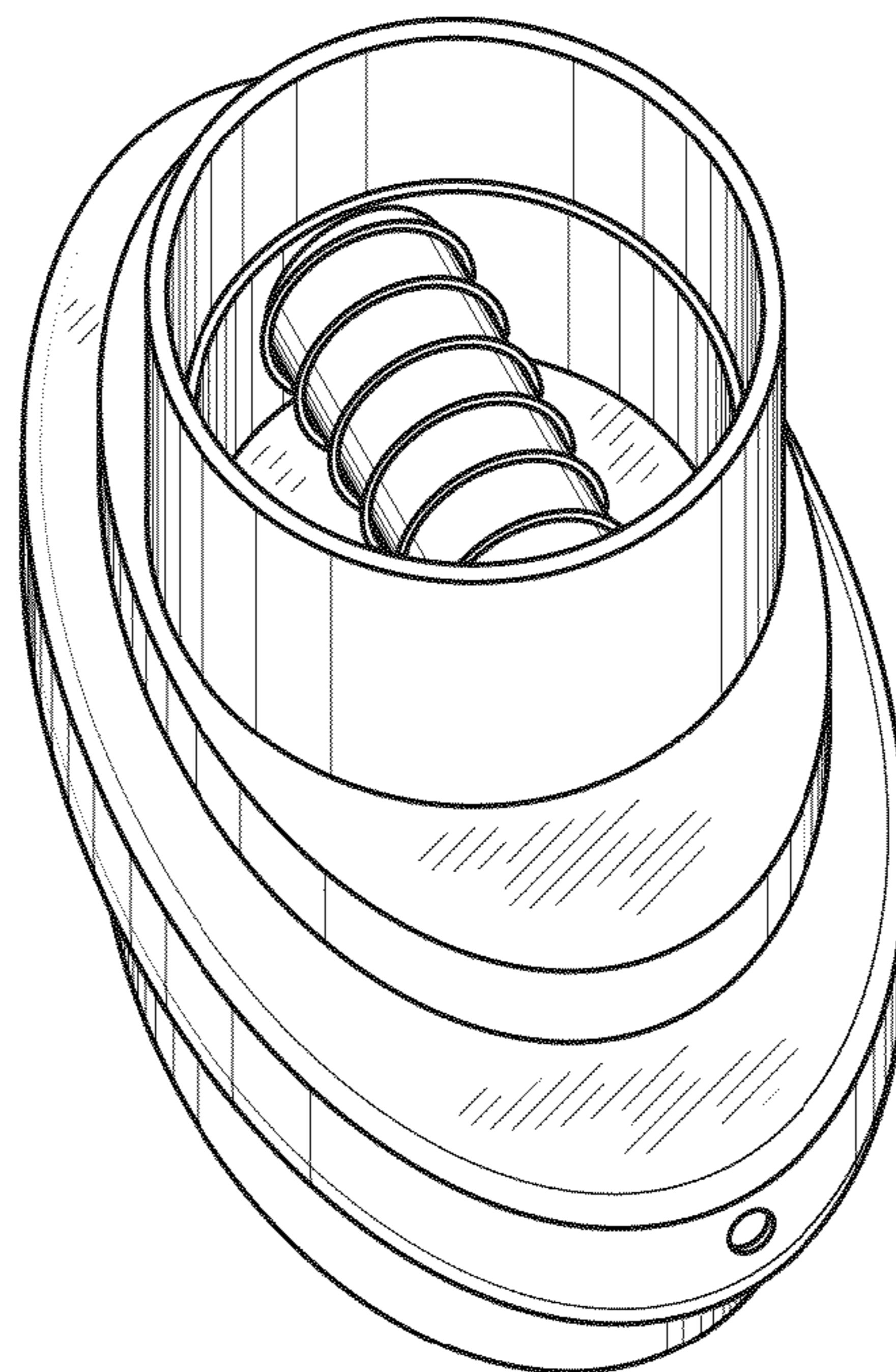
(57) **CLAIM**
The ornamental design for a vaporizer, as shown and described.

DESCRIPTION

FIG. 1 is a side perspective view of a vaporizer showing my new design;
FIG. 2 is a front view thereof;
FIG. 3 is a back view thereof;
FIG. 4 is a side view thereof;
FIG. 5 is a opposite side view thereof;
FIG. 6 is a top view thereof; and,
FIG. 7 is a bottom view thereof.
The broken lines in the drawings depict parts of the vaporizer that form no part of the claimed design.

- (56) **References Cited**
U.S. PATENT DOCUMENTS
- D636,844 S * 4/2011 Herre D23/213
- D652,571 S * 1/2012 Shenassa D27/163
- D683,897 S * 6/2013 Liu D27/170
- D684,311 S * 6/2013 Liu D27/101
- 8,490,629 B1 * 7/2013 Shenassa A24F 1/12
131/194
- D710,488 S * 8/2014 Alima D23/363
- D720,499 S * 12/2014 Alima D27/167
- 9,038,642 B2 * 5/2015 Liu A24F 47/008
131/223
- D731,634 S * 6/2015 Page D23/365

1 Claim, 2 Drawing Sheets



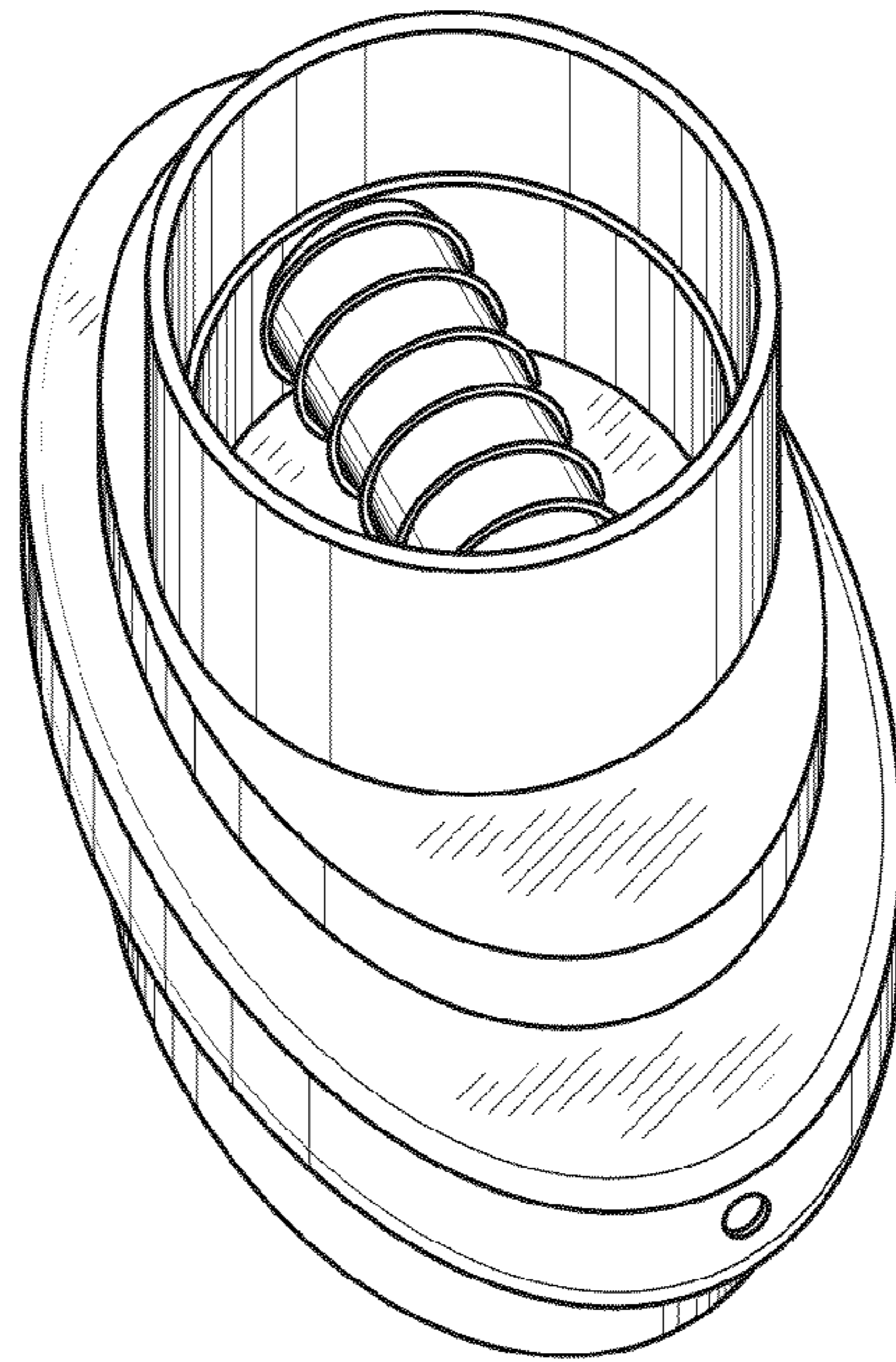


FIG. 1

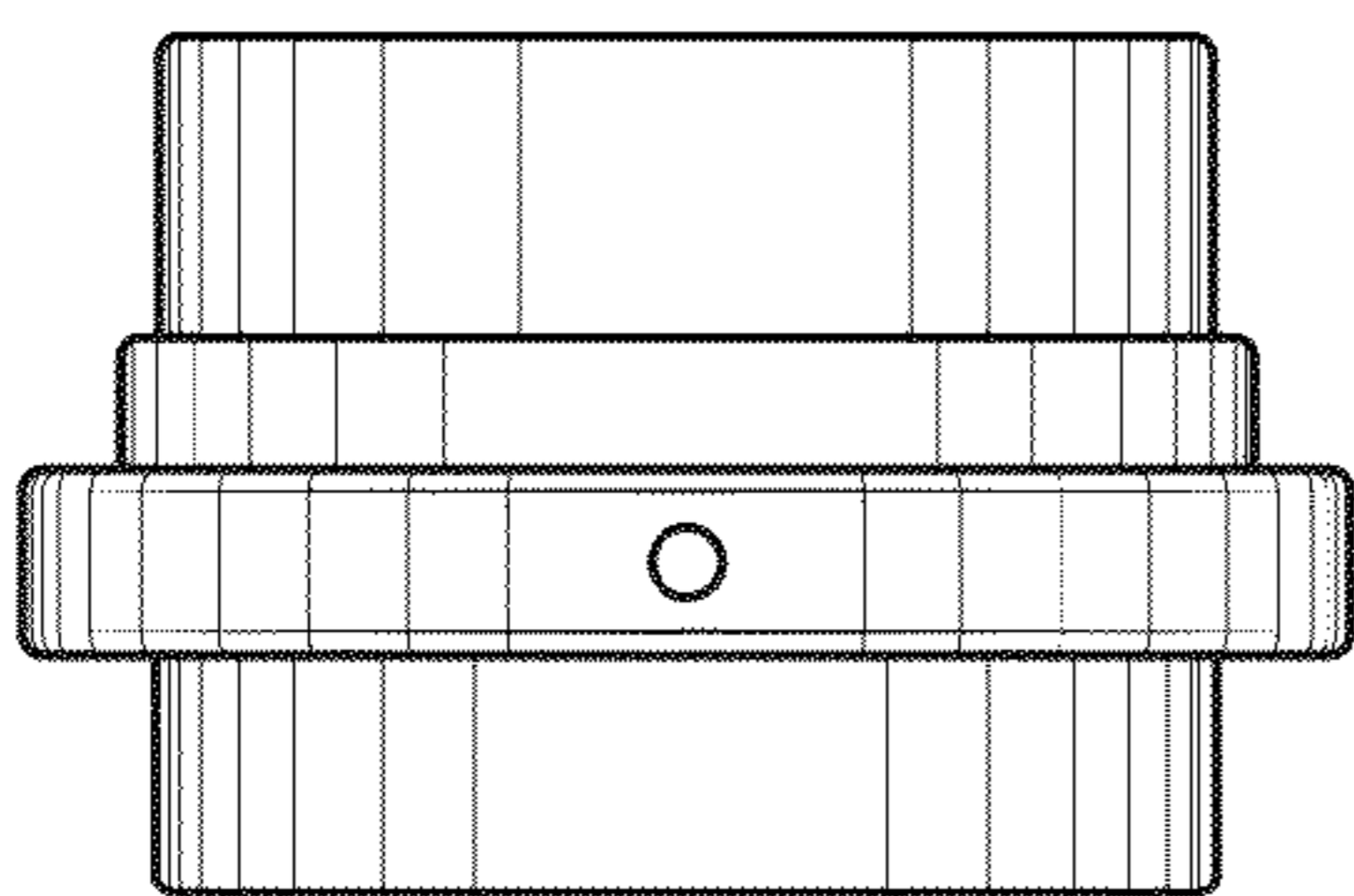


FIG. 2

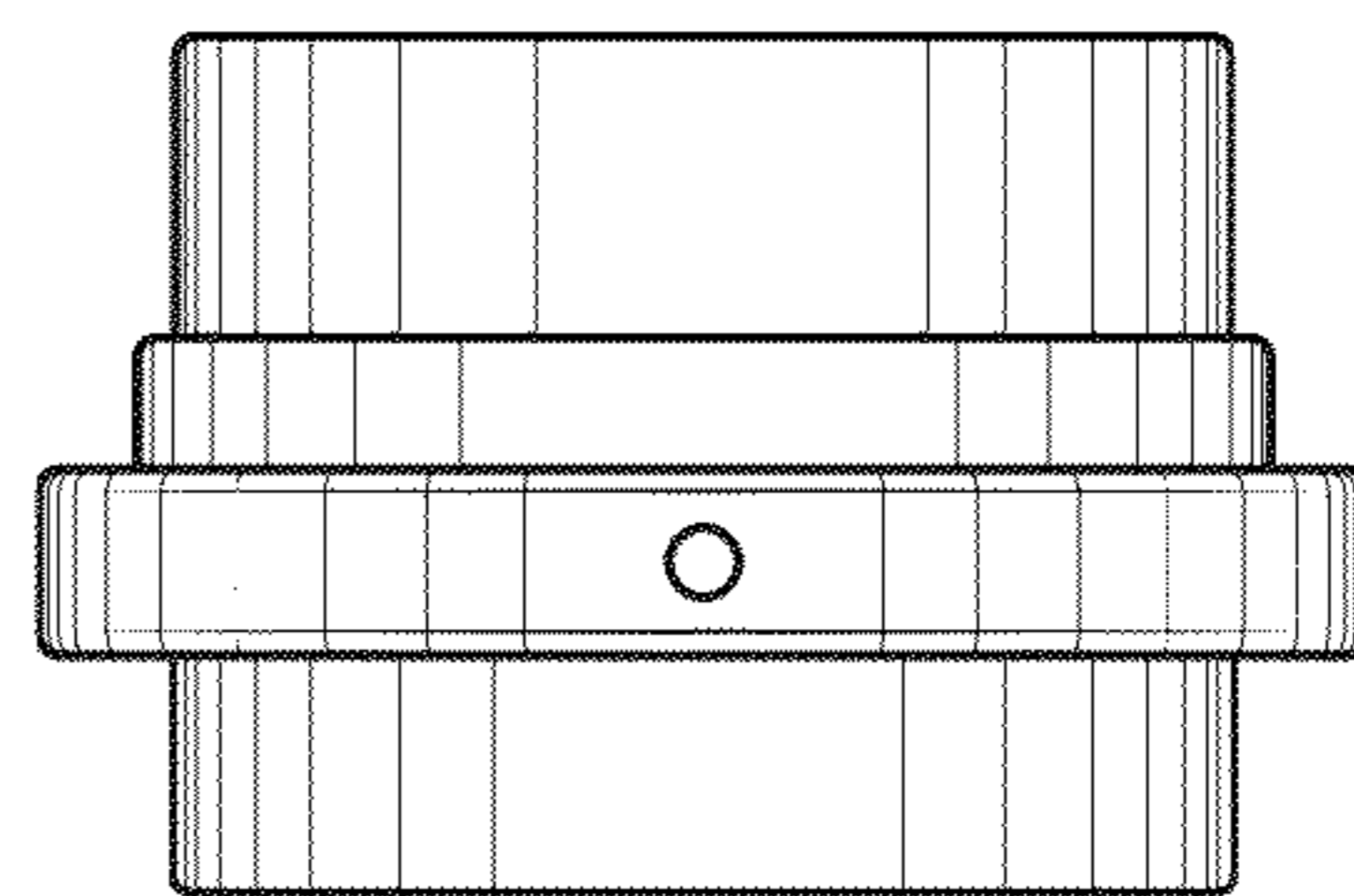


FIG. 3

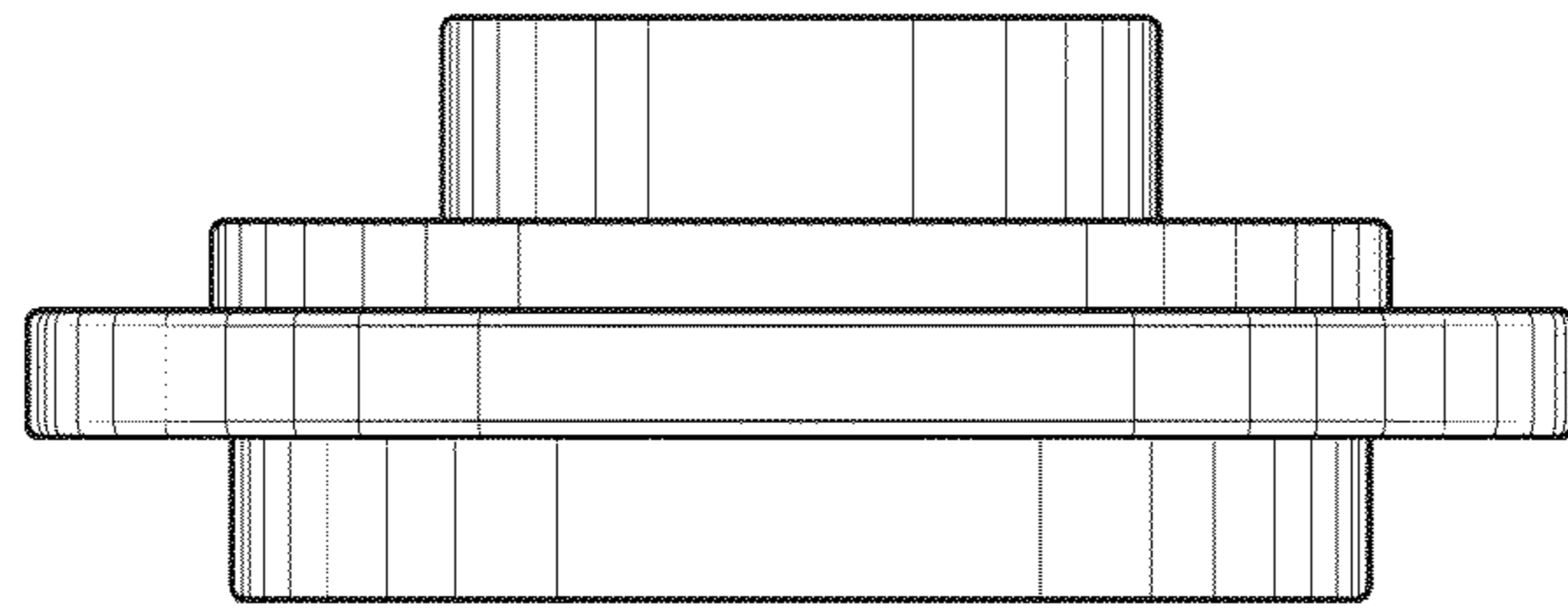


FIG. 4

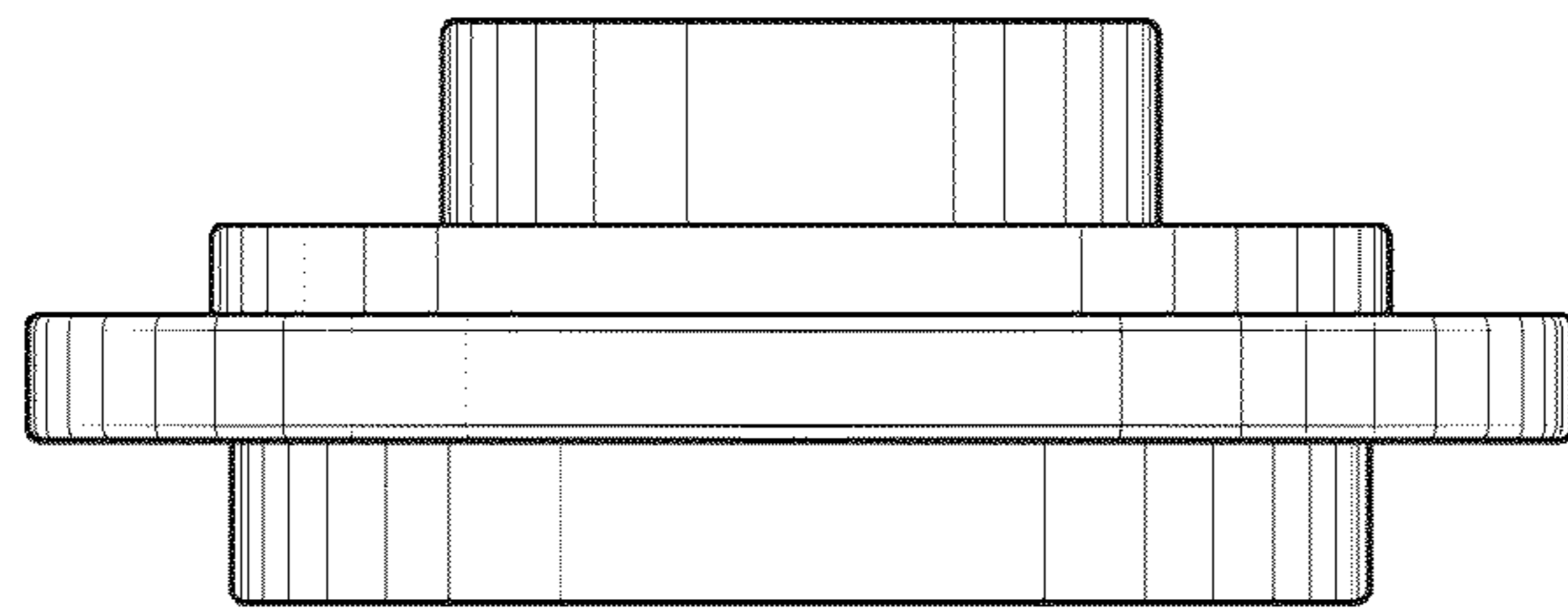


FIG. 5

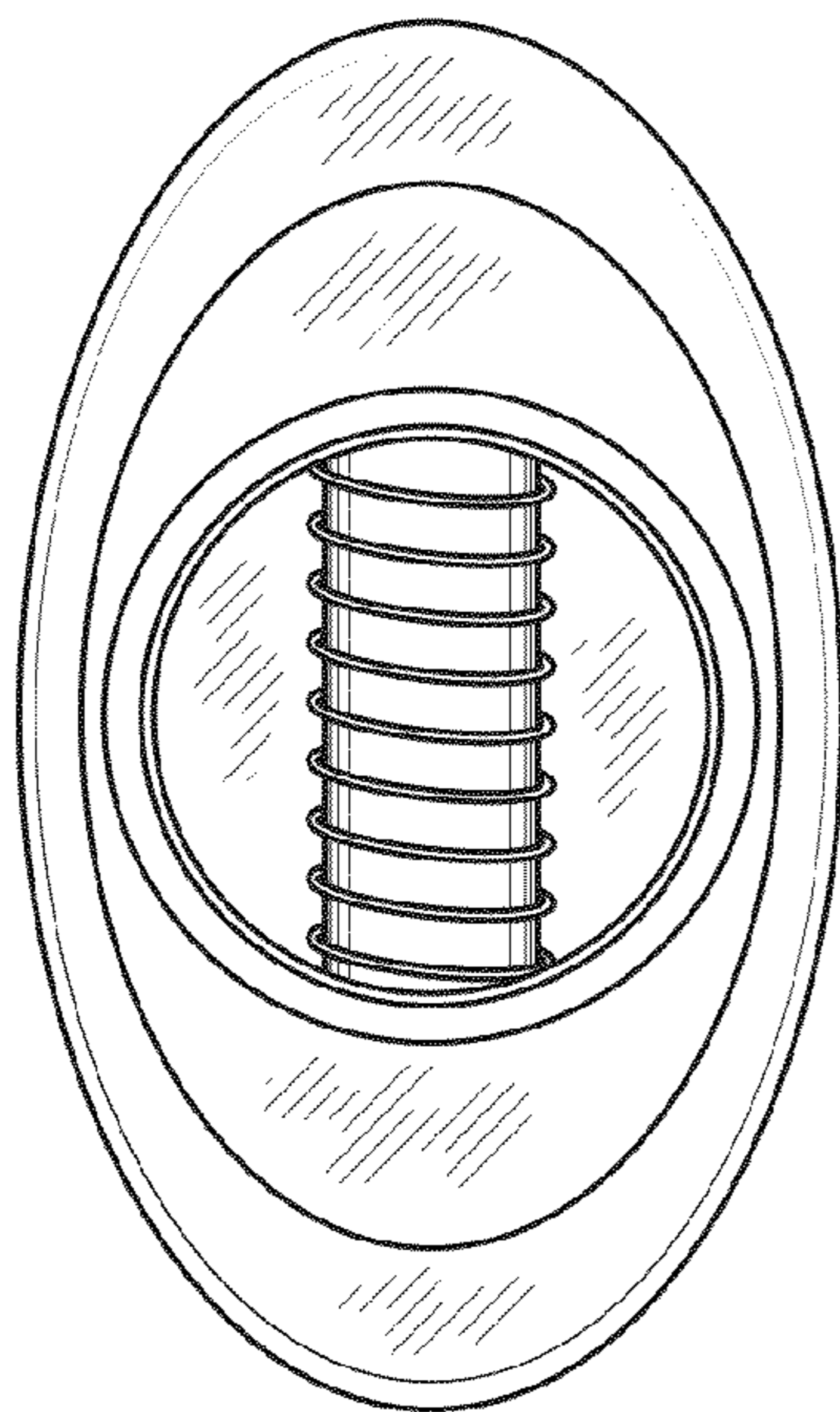


FIG. 6

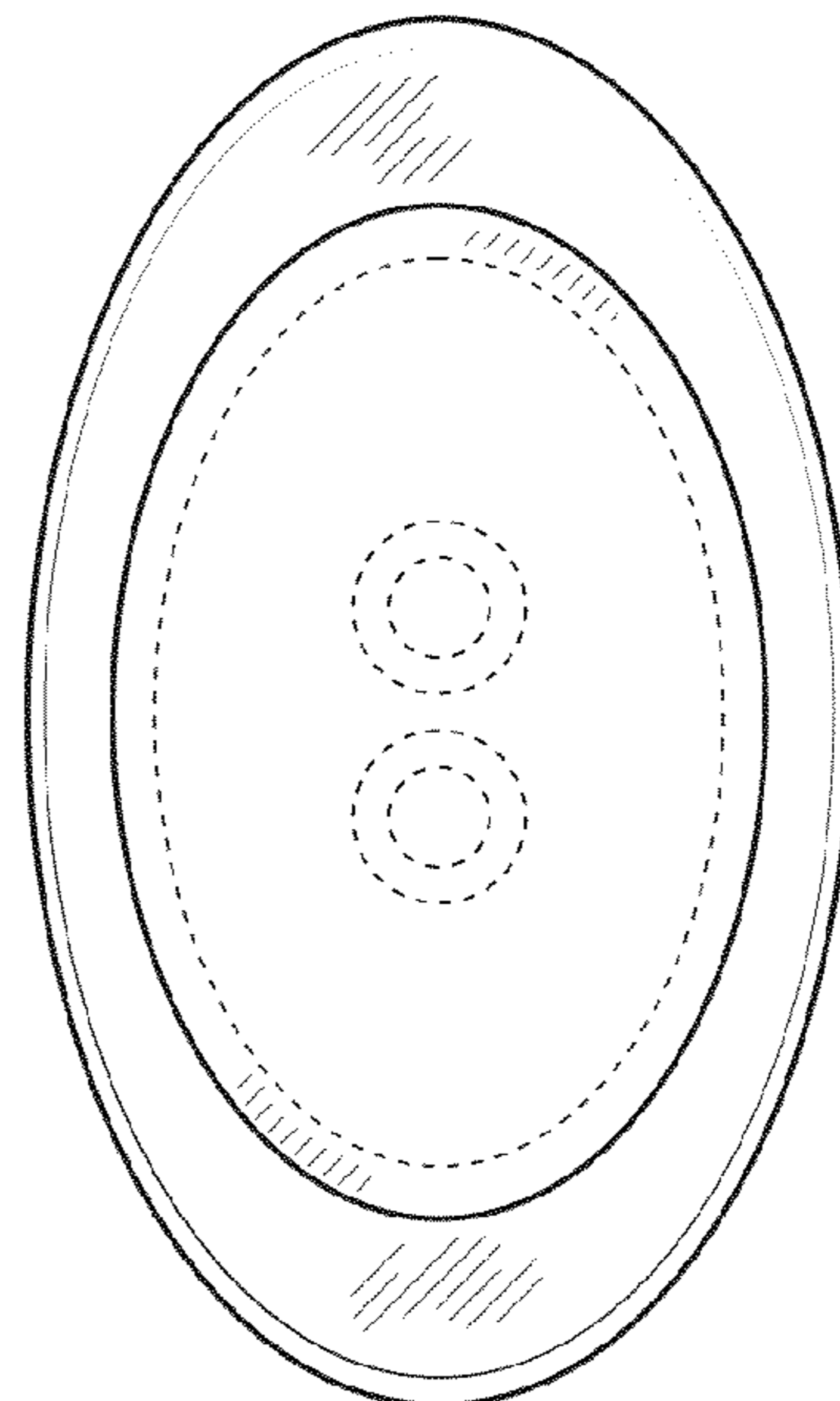


FIG. 7