



US00D754908S

(12) **United States Design Patent**  
**Orozco**

(10) **Patent No.:** **US D754,908 S**

(45) **Date of Patent:** **\*\* Apr. 26, 2016**

(54) **LIGHT FIXTURE**

(71) Applicant: **Quoizel, Inc.**, Goose Creek, SC (US)

(72) Inventor: **Sergio J. Orozco**, West New York, NJ (US)

(73) Assignee: **Quoizel, Inc.**, Goose Creek, SC (US)

(\*\*) Term: **14 Years**

(21) Appl. No.: **29/514,612**

(22) Filed: **Jan. 14, 2015**

(51) **LOC (10) Cl.** ..... **26-03**

(52) **U.S. Cl.**  
USPC ..... **D26/87; D26/85**

(58) **Field of Classification Search**  
USPC ..... D26/67, 72, 80-91, 118, 143, 144;  
362/147, 404-408, 249.02  
CPC ..... F21S 8/028; F21S 8/036; F21S 8/04;  
F21S 8/043; F21S 8/046; F21S 8/06; F21S  
8/061; F21S 8/063; F21S 8/065; F21S 8/068;  
F21V 21/03  
See application file for complete search history.

(56) **References Cited**

**U.S. PATENT DOCUMENTS**

D81,532 S *	7/1930	Gosling	.....	D26/119
2,786,936 A *	3/1957	Appleton	.....	F21V 25/04 362/363
D207,178 S *	3/1967	Atkin et al.	.....	D26/87
D293,484 S *	12/1987	Joerger	.....	D26/87
D300,373 S *	3/1989	Galipeau	.....	D26/67
D347,905 S *	6/1994	Barbour	.....	D26/67
6,425,682 B1 *	7/2002	Klaus	.....	F21S 8/068 362/249.01

D488,580 S *	4/2004	Hsu	.....	D26/92
D541,973 S *	5/2007	Dolan	.....	D26/87
D673,319 S *	12/2012	Guercio	.....	D26/87
D713,590 S *	9/2014	Orozco	.....	D26/85

\* cited by examiner

*Primary Examiner* — Clare E Heflin

(74) *Attorney, Agent, or Firm* — Nelson Mullins Riley & Scarborough, LLP

(57) **CLAIM**

The ornamental design for a light fixture, as shown and described.

**DESCRIPTION**

FIG. 1 is a perspective view of a light fixture embodying the design of the present invention.

FIG. 2 is a front side elevational view of the light fixture illustrated in FIG. 1.

FIG. 3 is a back side elevational view of the light fixture illustrated in FIG. 1.

FIG. 4 is a right side elevational view of the light fixture illustrated in FIG. 1.

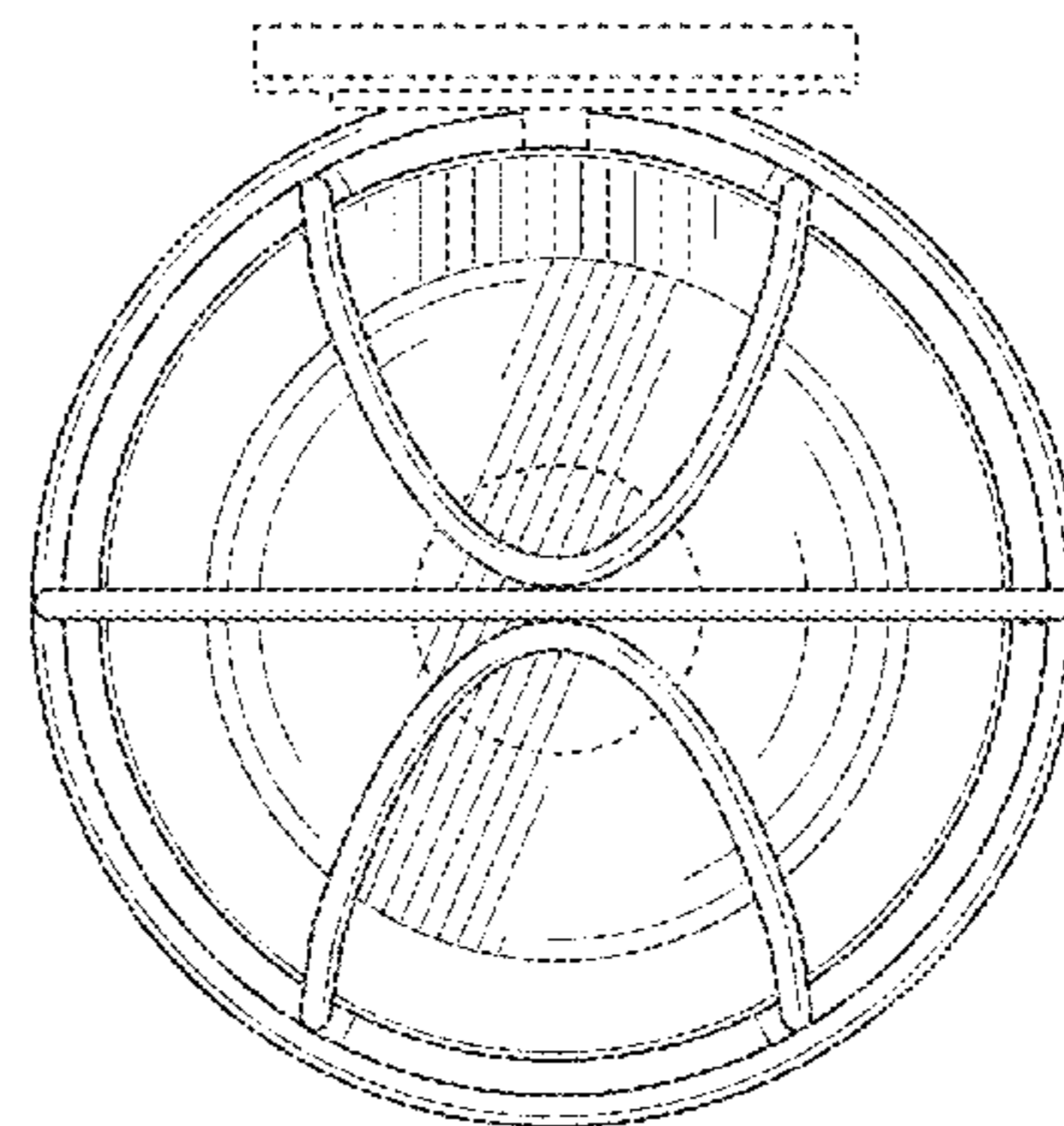
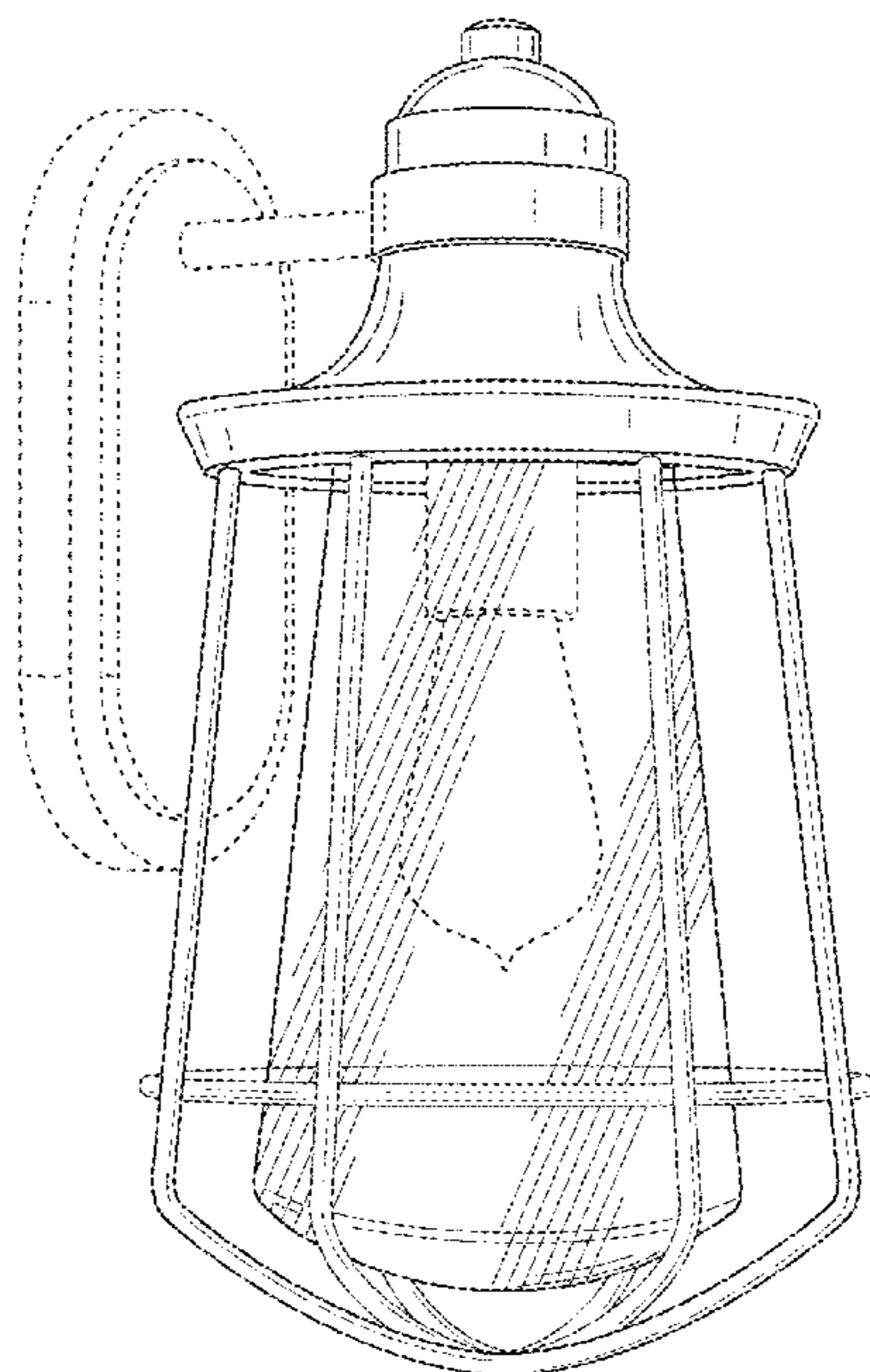
FIG. 5 is a left side elevational view of the light fixture illustrated in FIG. 1.

FIG. 6 is a top view of the light fixture illustrated in FIG. 1; and,

FIG. 7 is a bottom view of the light fixture illustrated in FIG. 1.

The broken lines shown on the drawings depict portions of the light fixture that form no part of the claimed design.

**1 Claim, 7 Drawing Sheets**



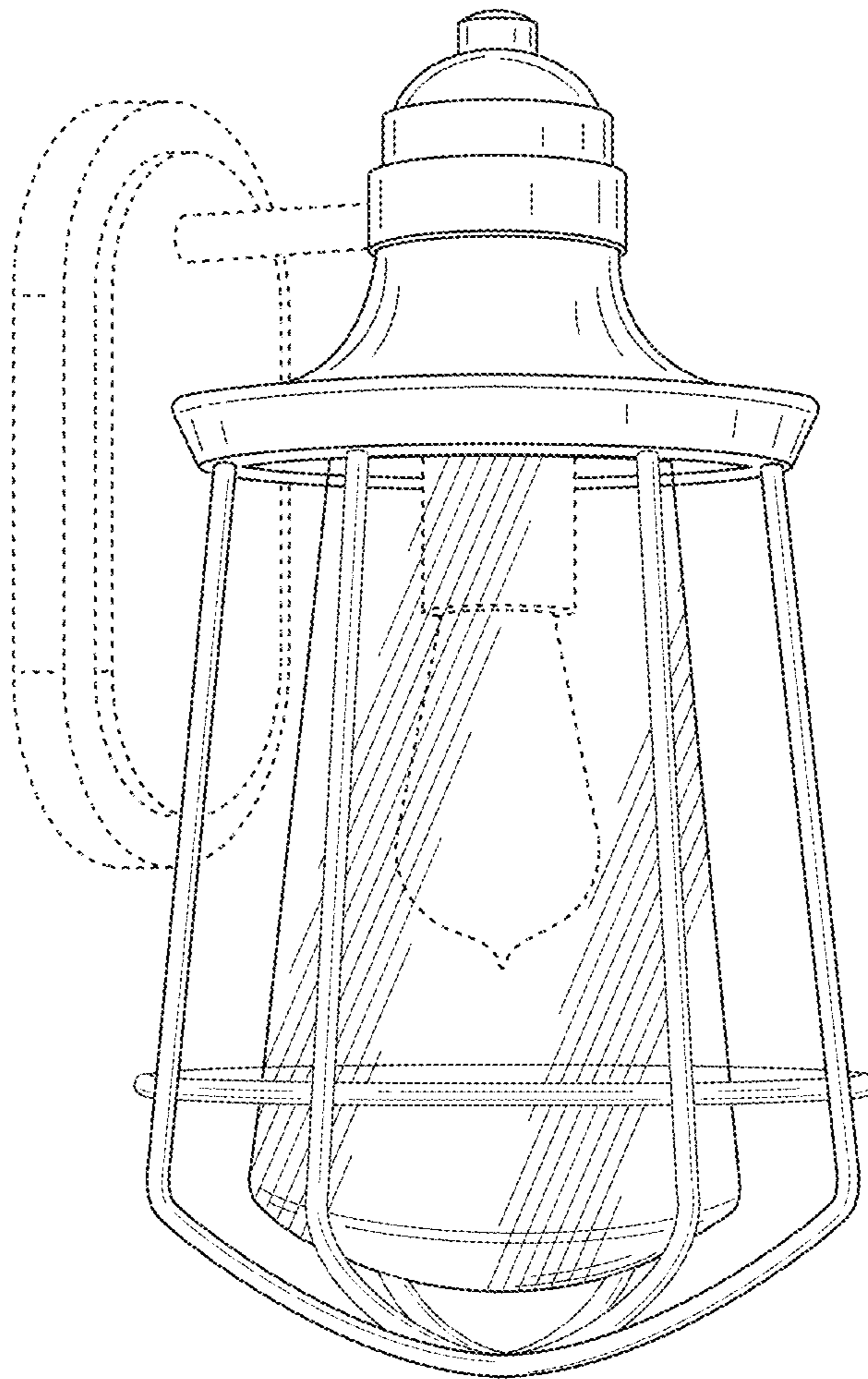


FIG. 1

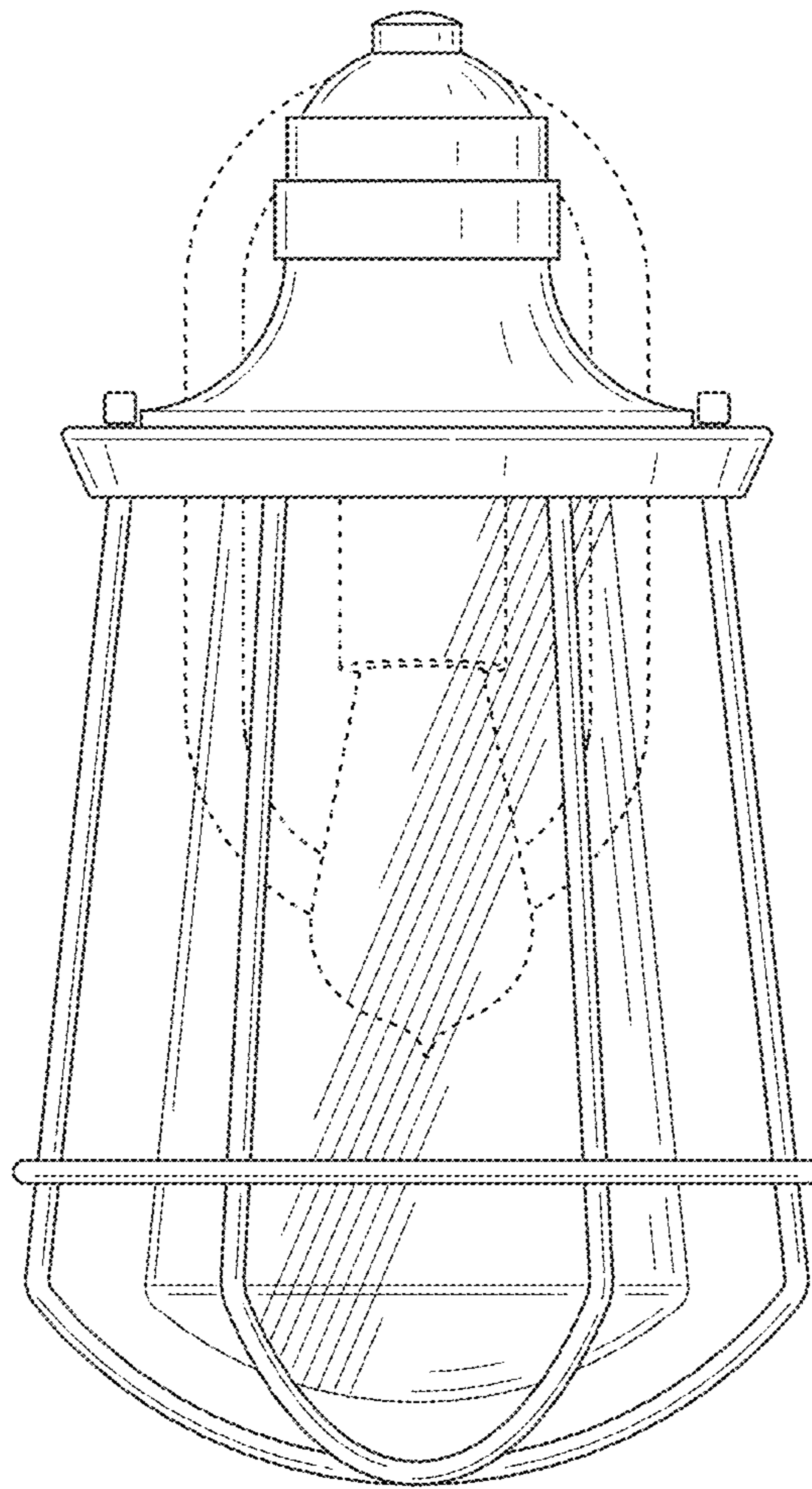


FIG. 2

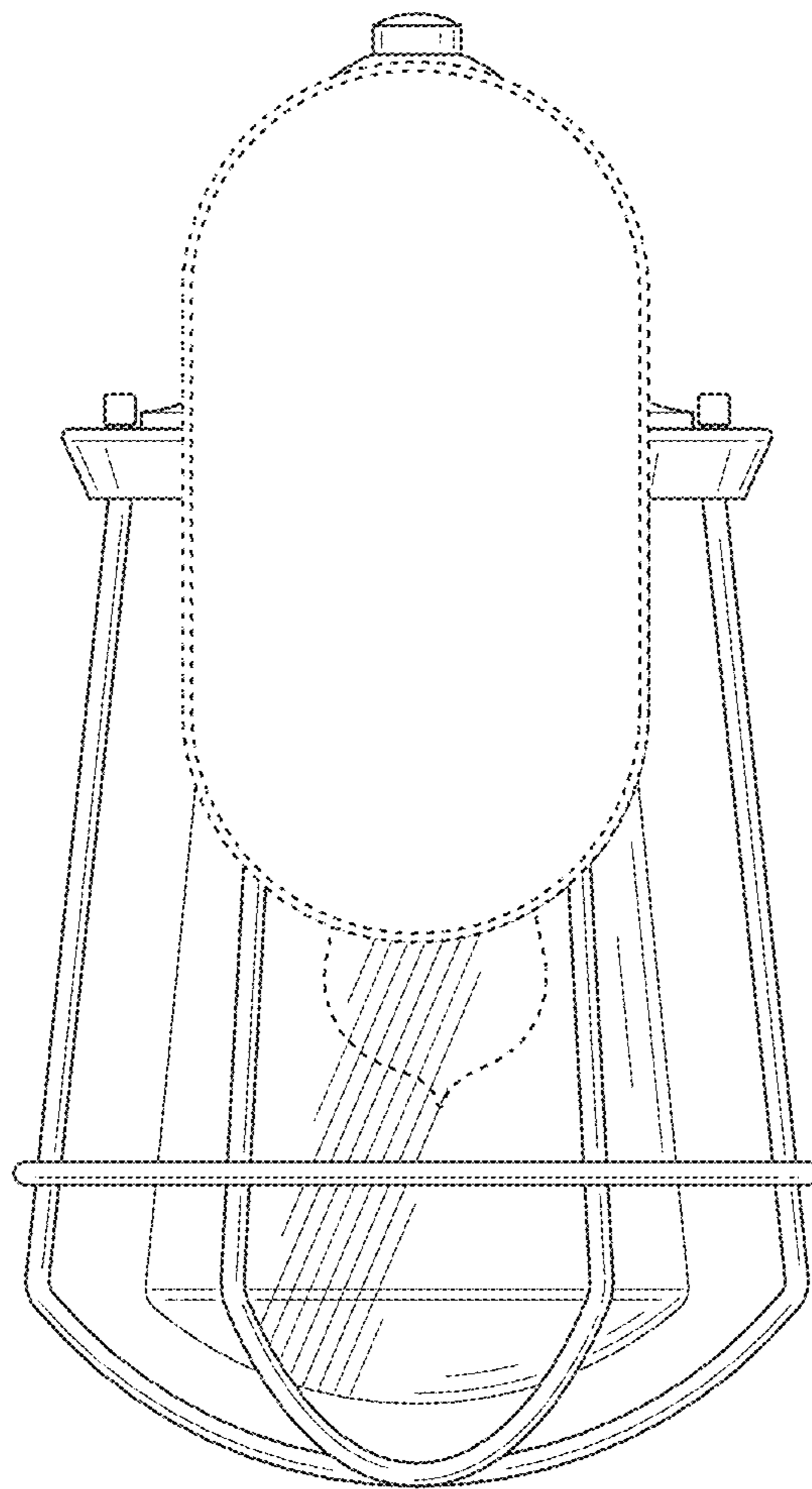


FIG. 3

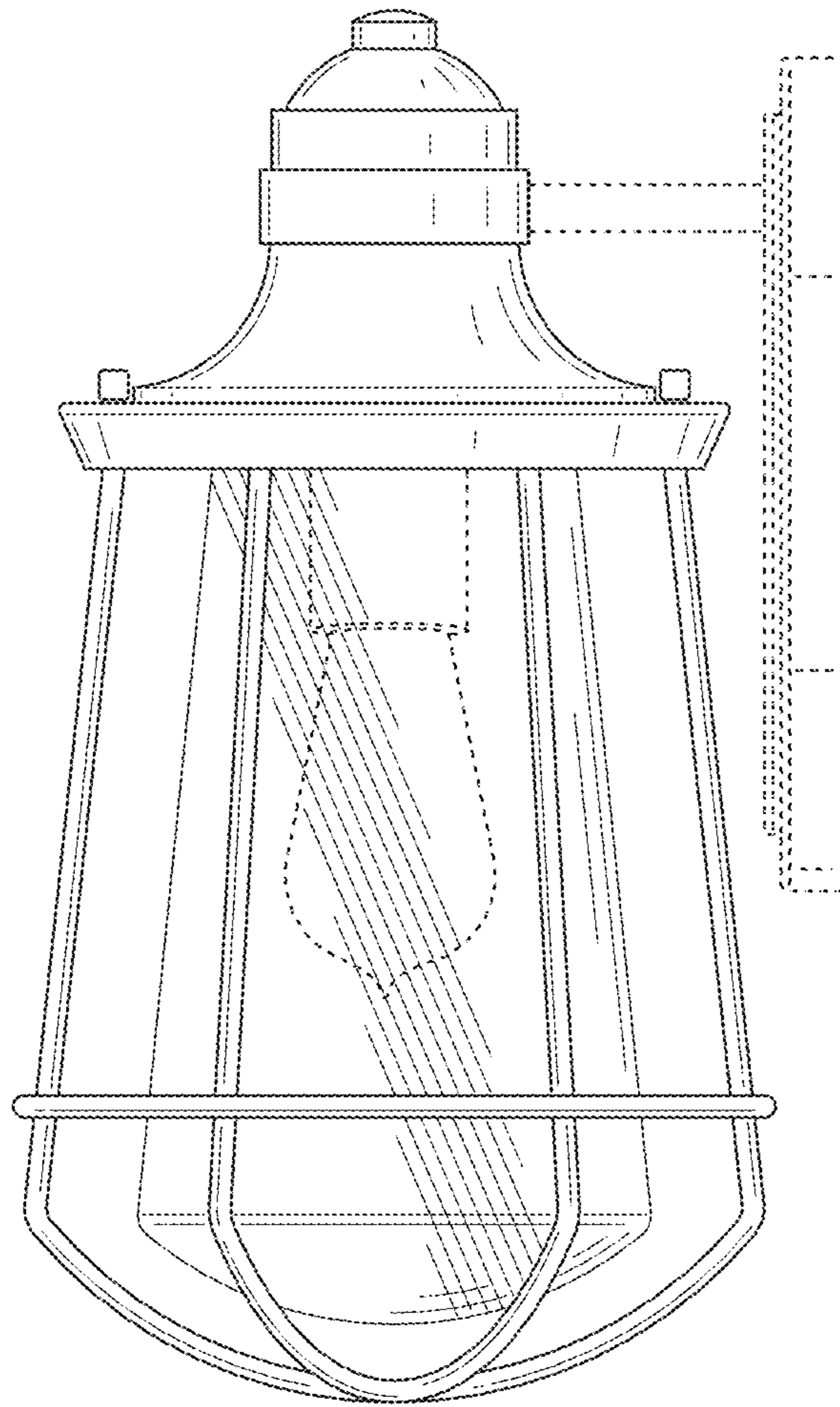


FIG. 4

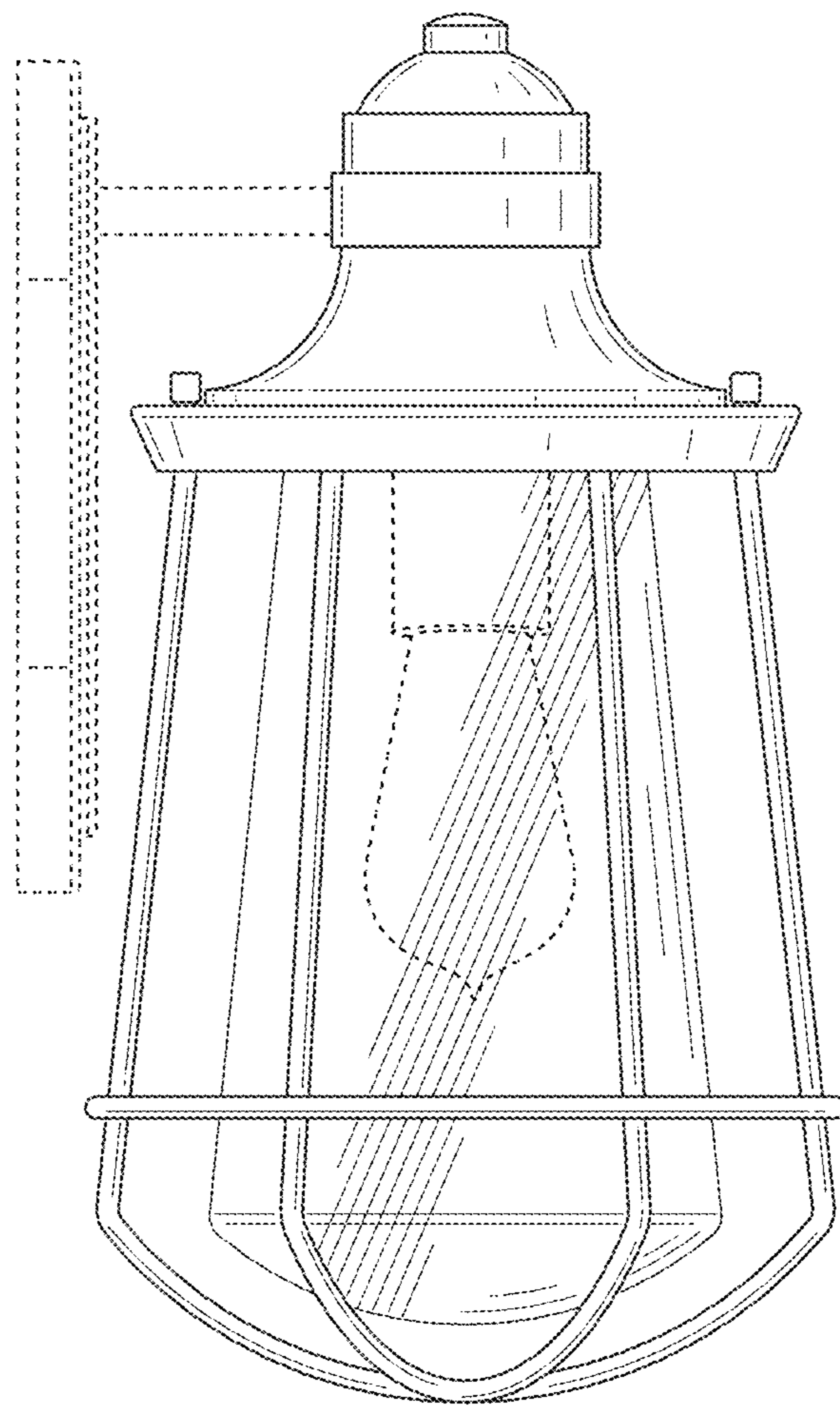


FIG. 5

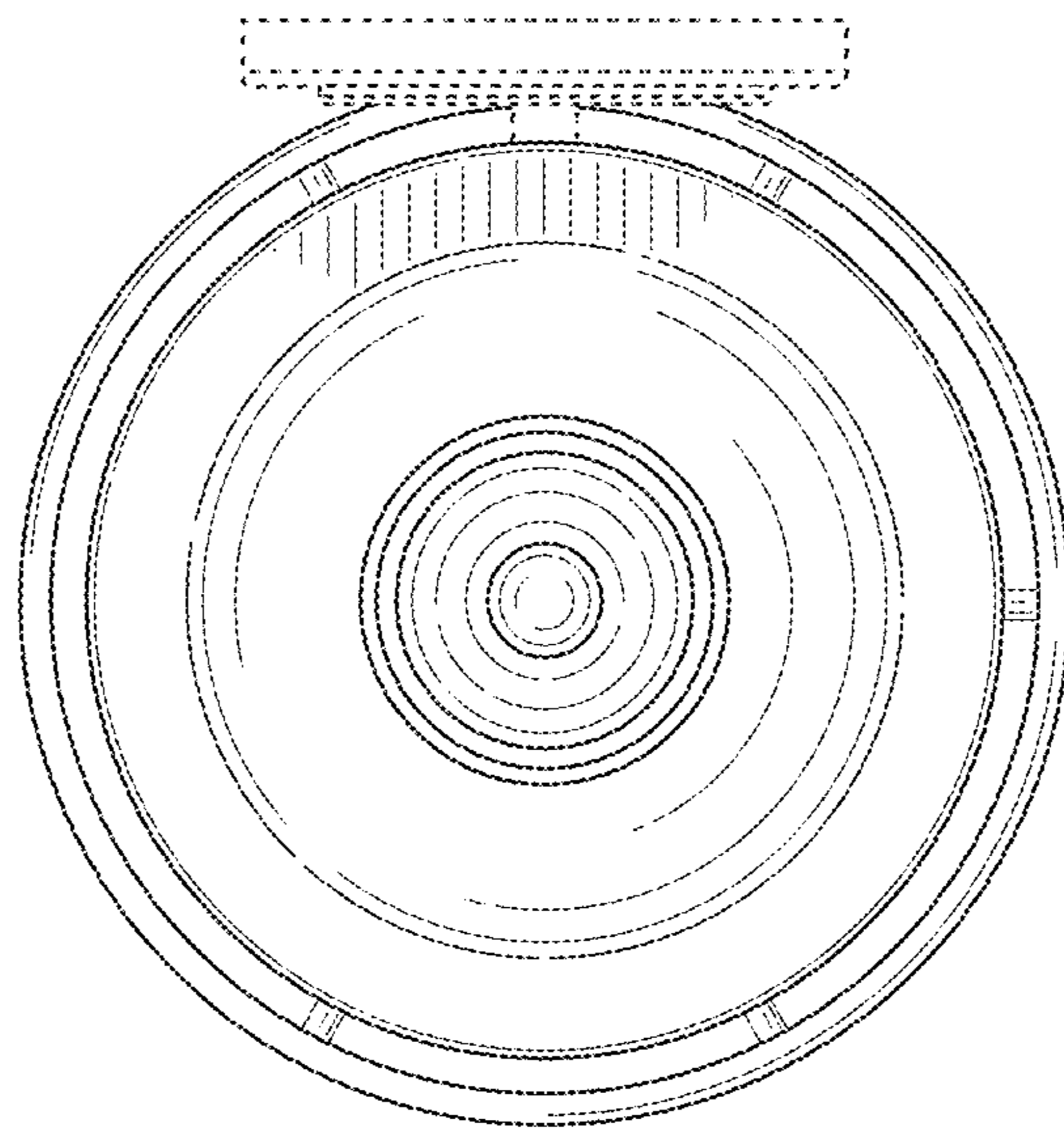


FIG. 6

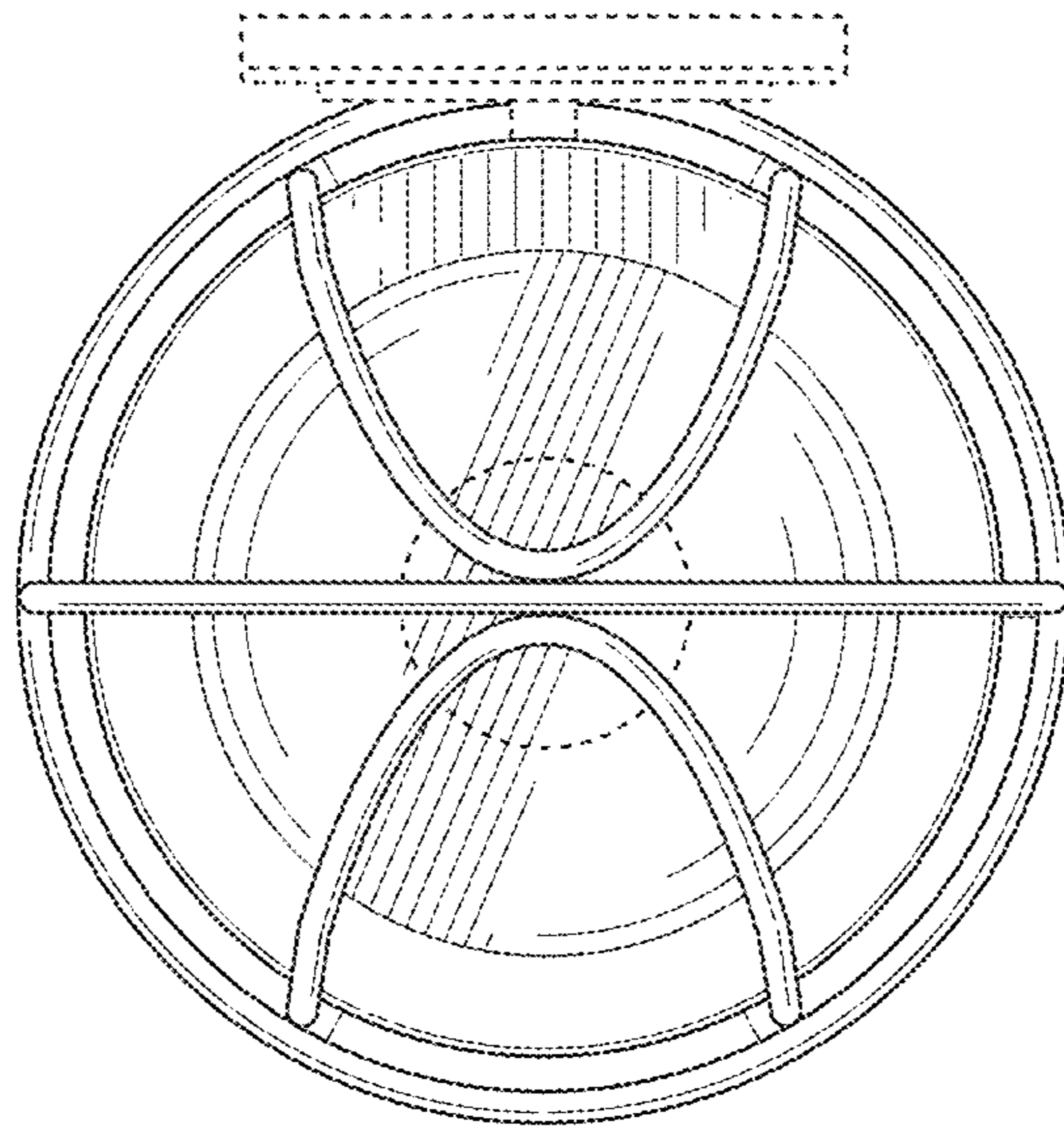


FIG. 7