



US00D754907S

(12) **United States Design Patent**
Orozco

(10) **Patent No.:** **US D754,907 S**

(45) **Date of Patent:** **** Apr. 26, 2016**

(54) **LIGHT FIXTURE**

(71) Applicant: **Quoizel, Inc.**, Goose Creek, SC (US)

(72) Inventor: **Sergio J. Orozco**, West New York, NJ (US)

(73) Assignee: **Quoizel, Inc.**, Goose Creek, SC (US)

(**) Term: **14 Years**

(21) Appl. No.: **29/514,595**

(22) Filed: **Jan. 14, 2015**

(51) **LOC (10) Cl.** **26-03**

(52) **U.S. Cl.**
USPC **D26/87; D26/85**

(58) **Field of Classification Search**
USPC D26/67, 72, 80-91, 118, 143, 144;
362/147, 404-408, 249.02
CPC F21S 8/028; F21S 8/036; F21S 8/04;
F21S 8/043; F21S 8/046; F21S 8/06; F21S
8/061; F21S 8/063; F21S 8/065; F21S 8/068;
F21V 21/03
See application file for complete search history.

(56) **References Cited**

U.S. PATENT DOCUMENTS

D65,923 S *	11/1924	Poritz	D26/88
D212,383 S *	10/1968	D'Ercoll	D26/67
D461,578 S *	8/2002	Cheong	D26/67
D465,053 S *	10/2002	Miranda	D26/87
D483,895 S *	12/2003	Kuelbs	D26/67
D527,482 S *	8/2006	Bucher	D26/67
D537,189 S *	2/2007	Zhang	D26/87
D541,974 S *	5/2007	Yuan	D26/87

D563,016 S *	2/2008	Ho	D26/67
D563,584 S *	3/2008	Lee	D26/67
D563,585 S *	3/2008	Lee	D26/67
D646,833 S *	10/2011	Chen	D26/67
D694,940 S *	12/2013	Dolan	D26/87

* cited by examiner

Primary Examiner — Clare E Heflin

(74) *Attorney, Agent, or Firm* — Nelson Mullins Riley & Scarborough, LLP

(57) **CLAIM**

The ornamental design for a light fixture, as shown and described.

DESCRIPTION

FIG. 1 is a perspective view of a light fixture embodying the design of the present invention.

FIG. 2 is a right side elevational view of the light fixture illustrated in FIG. 1.

FIG. 3 is a left side elevational view of the light fixture illustrated in FIG. 1.

FIG. 4 is a front side elevational view of the light fixture illustrated in FIG. 1.

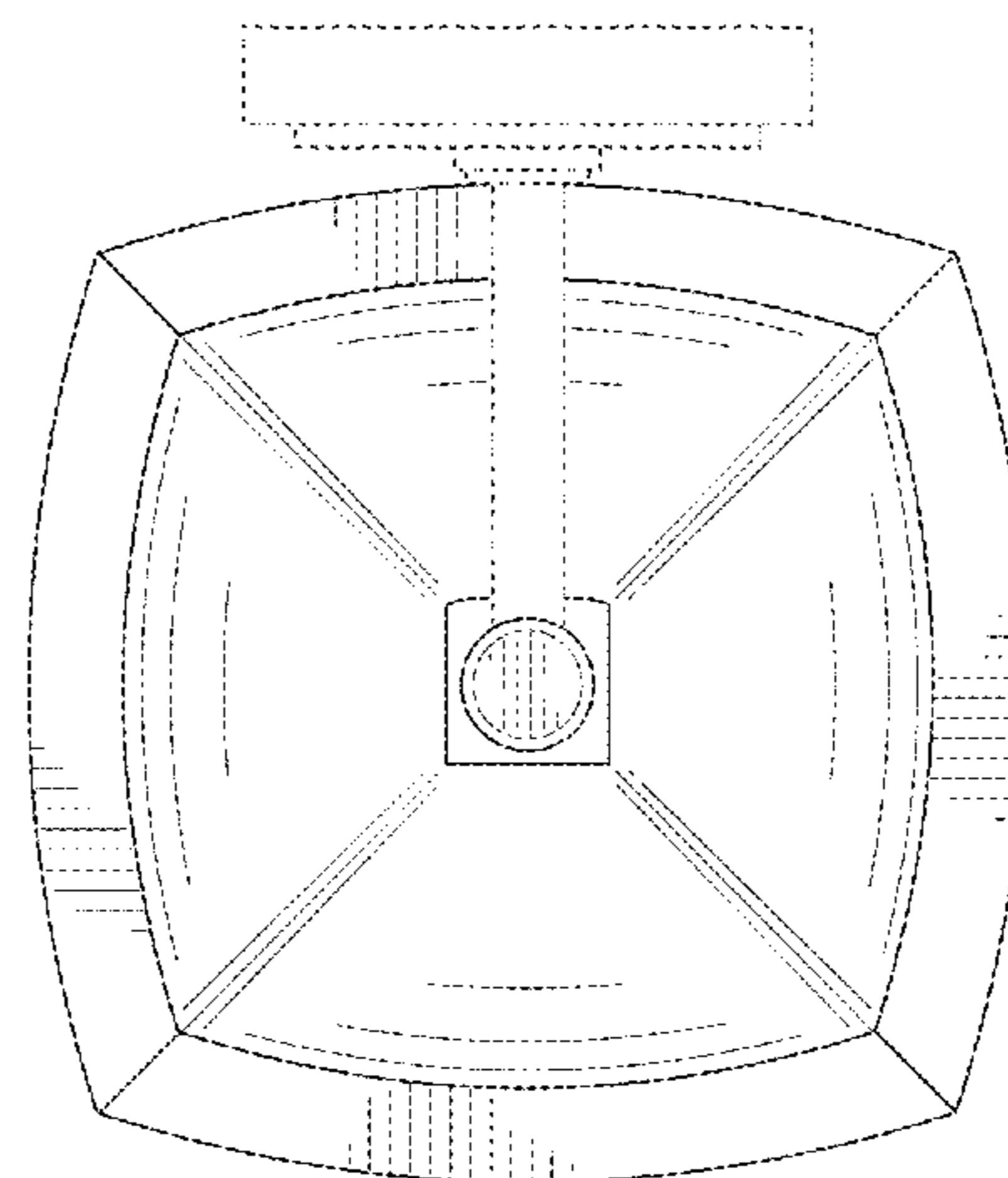
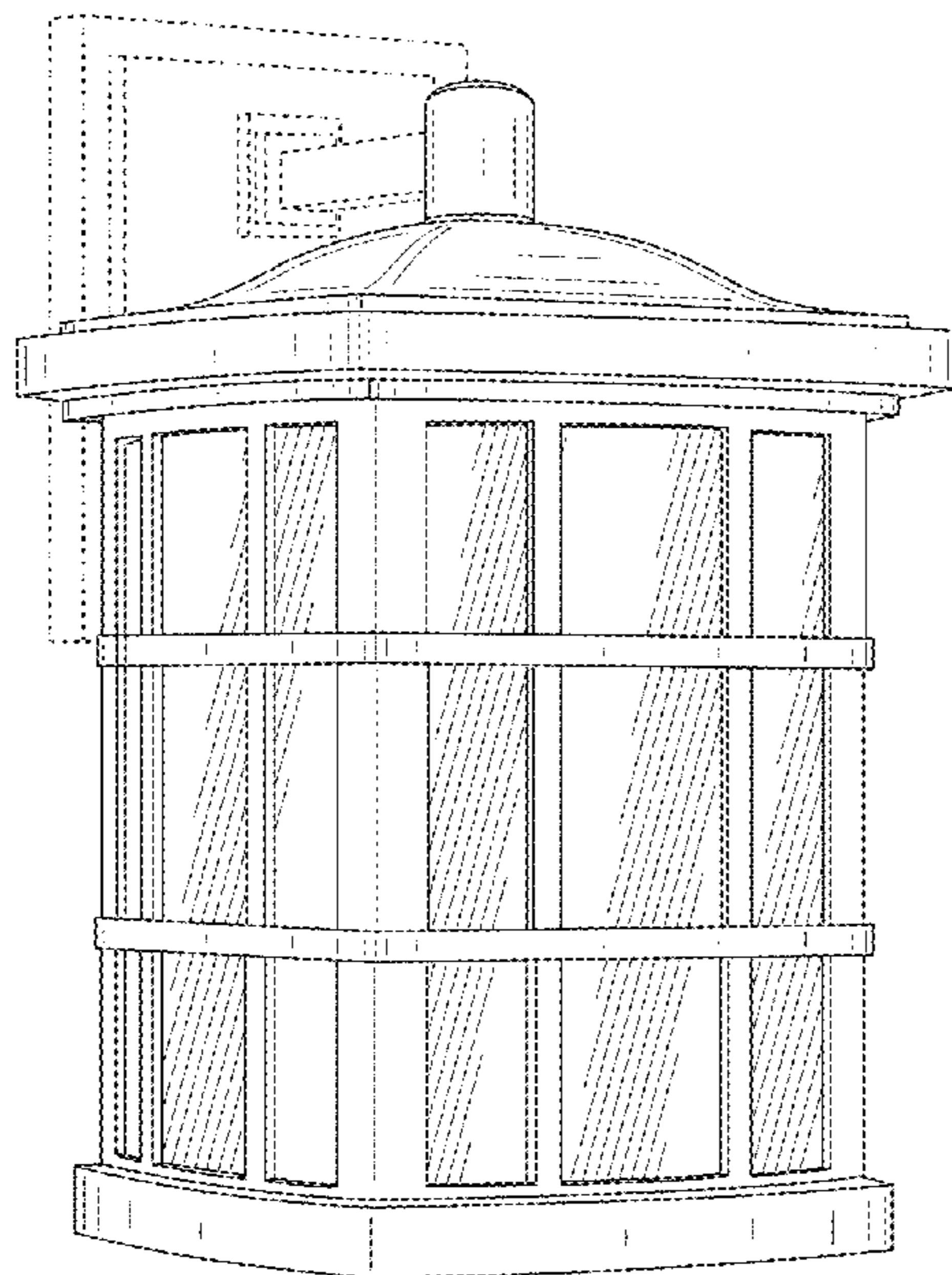
FIG. 5 is a back side elevational view of the light fixture illustrated in FIG. 1.

FIG. 6 is a top view of the light fixture illustrated in FIG. 1; and,

FIG. 7 is a bottom view of the light fixture illustrated in FIG. 1.

The broken lines shown on the drawings depict portions of the light fixture that form no part of the claimed design.

1 Claim, 7 Drawing Sheets



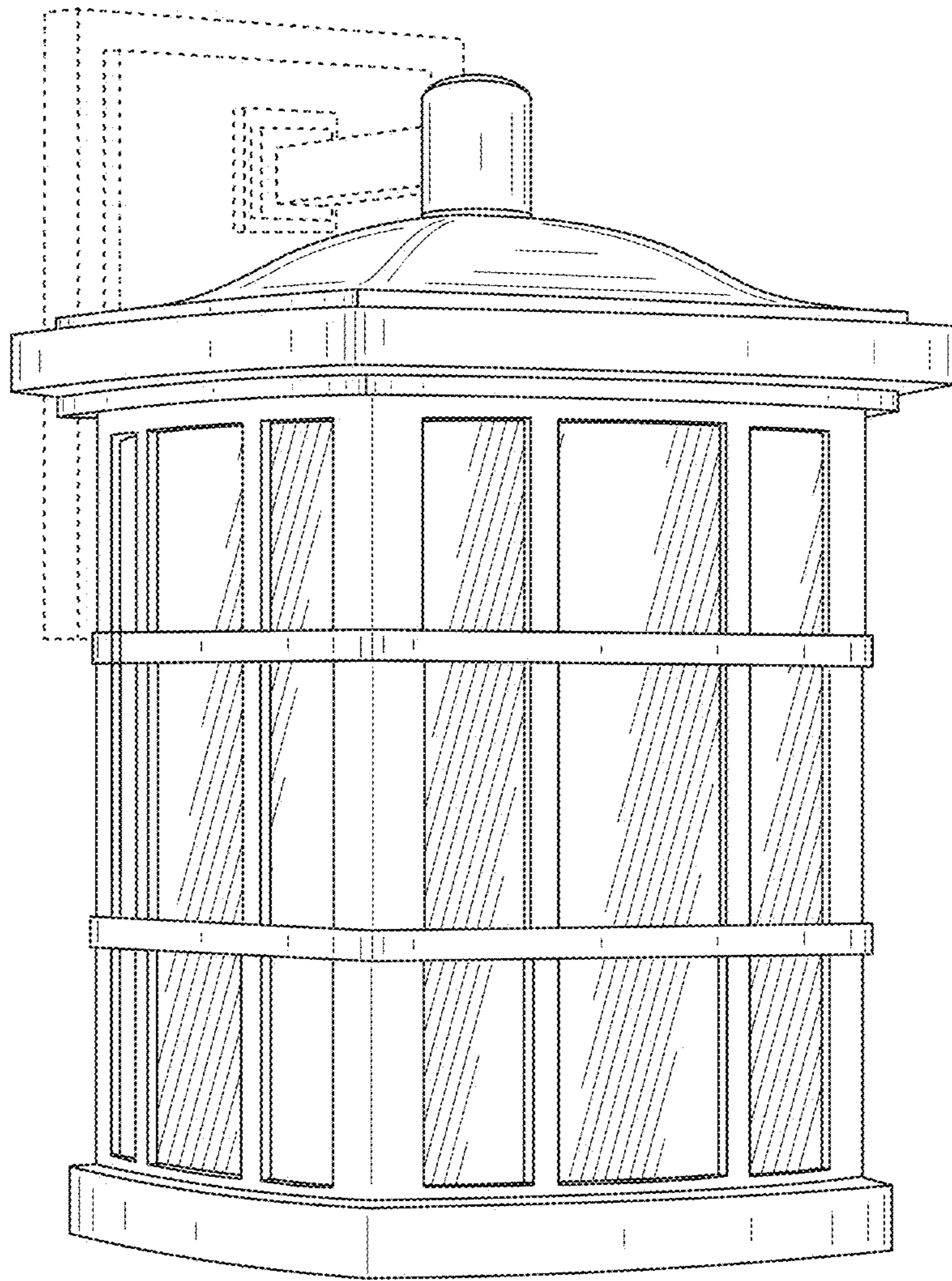


FIG. 1

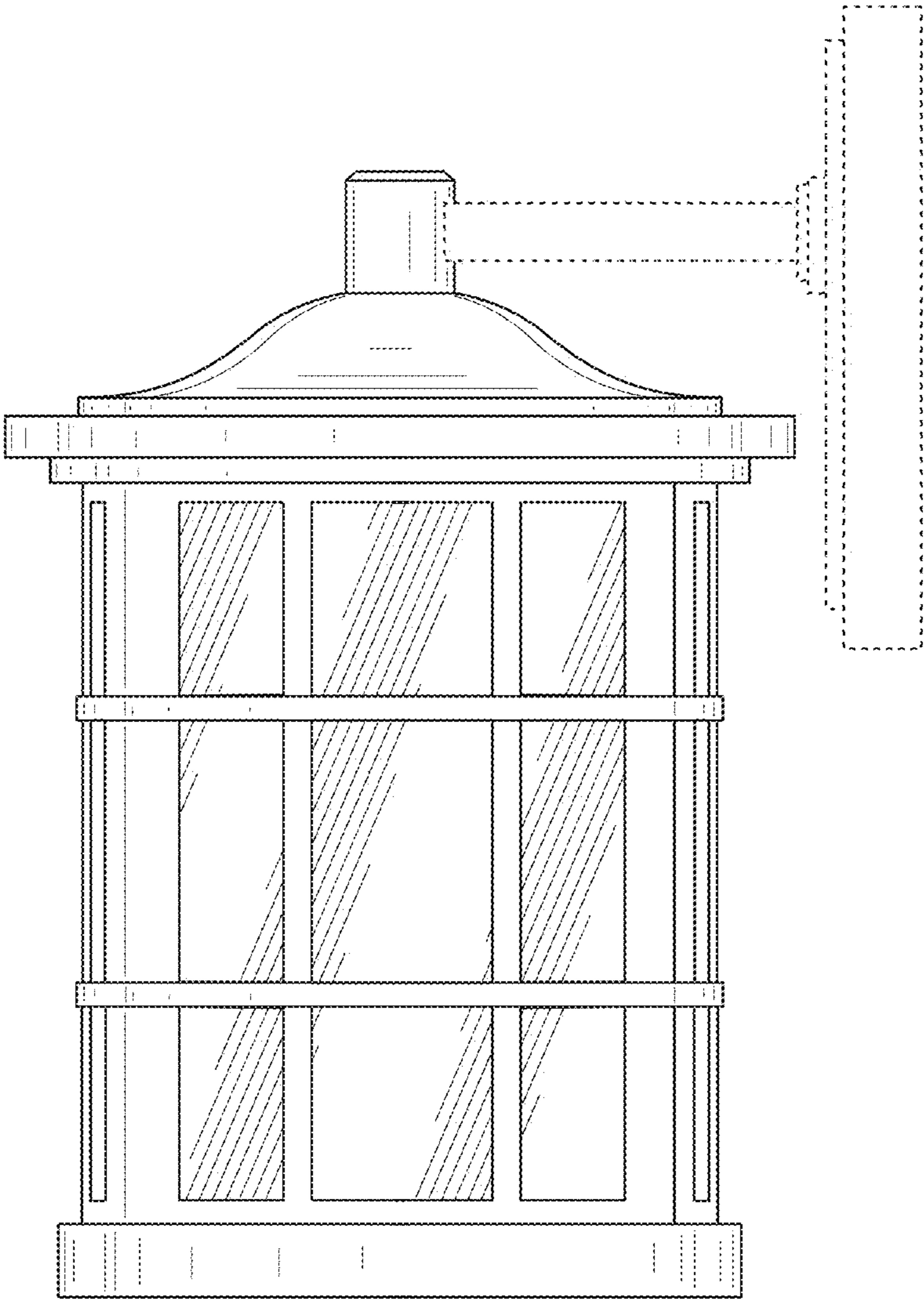


FIG. 2

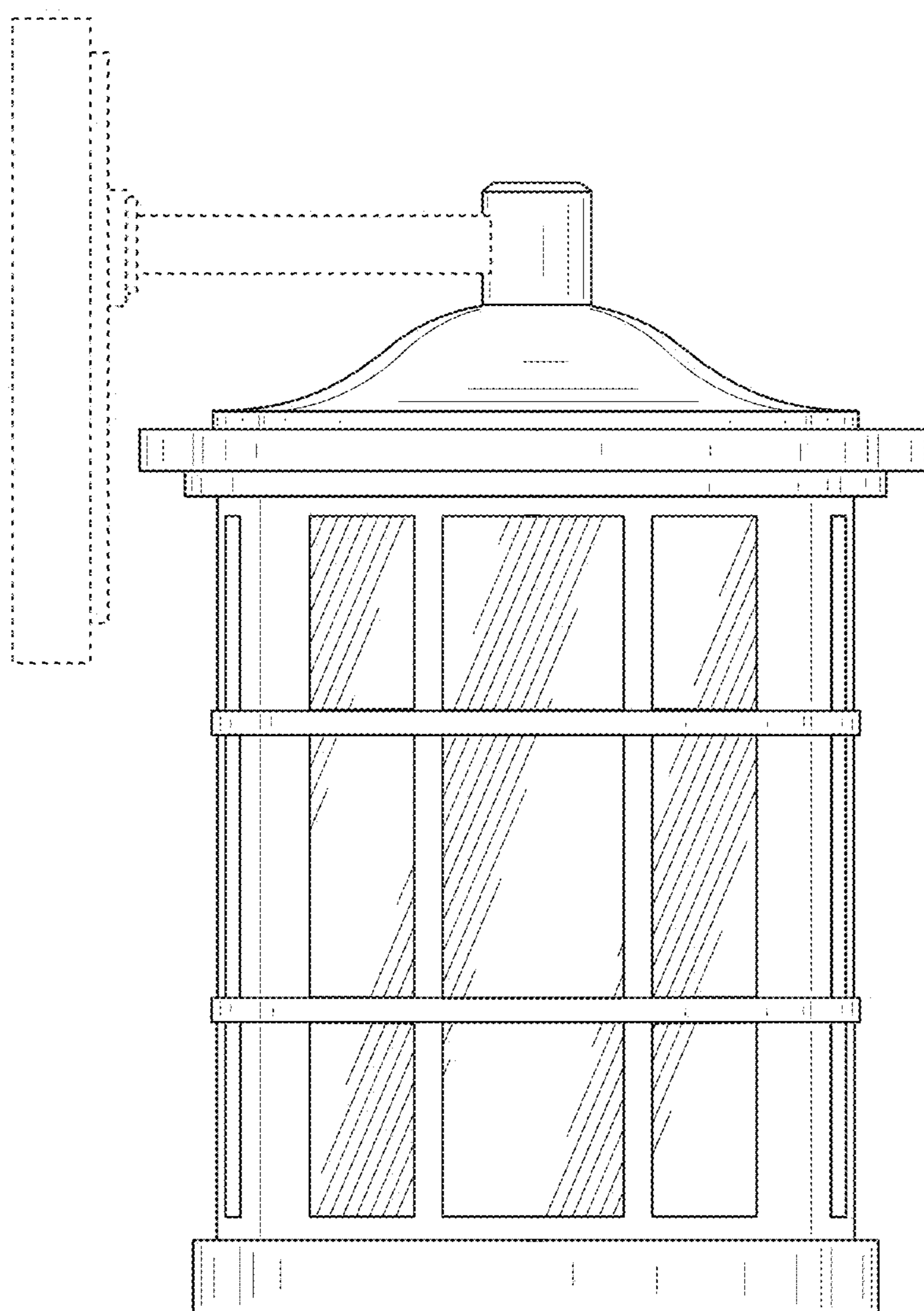


FIG. 3

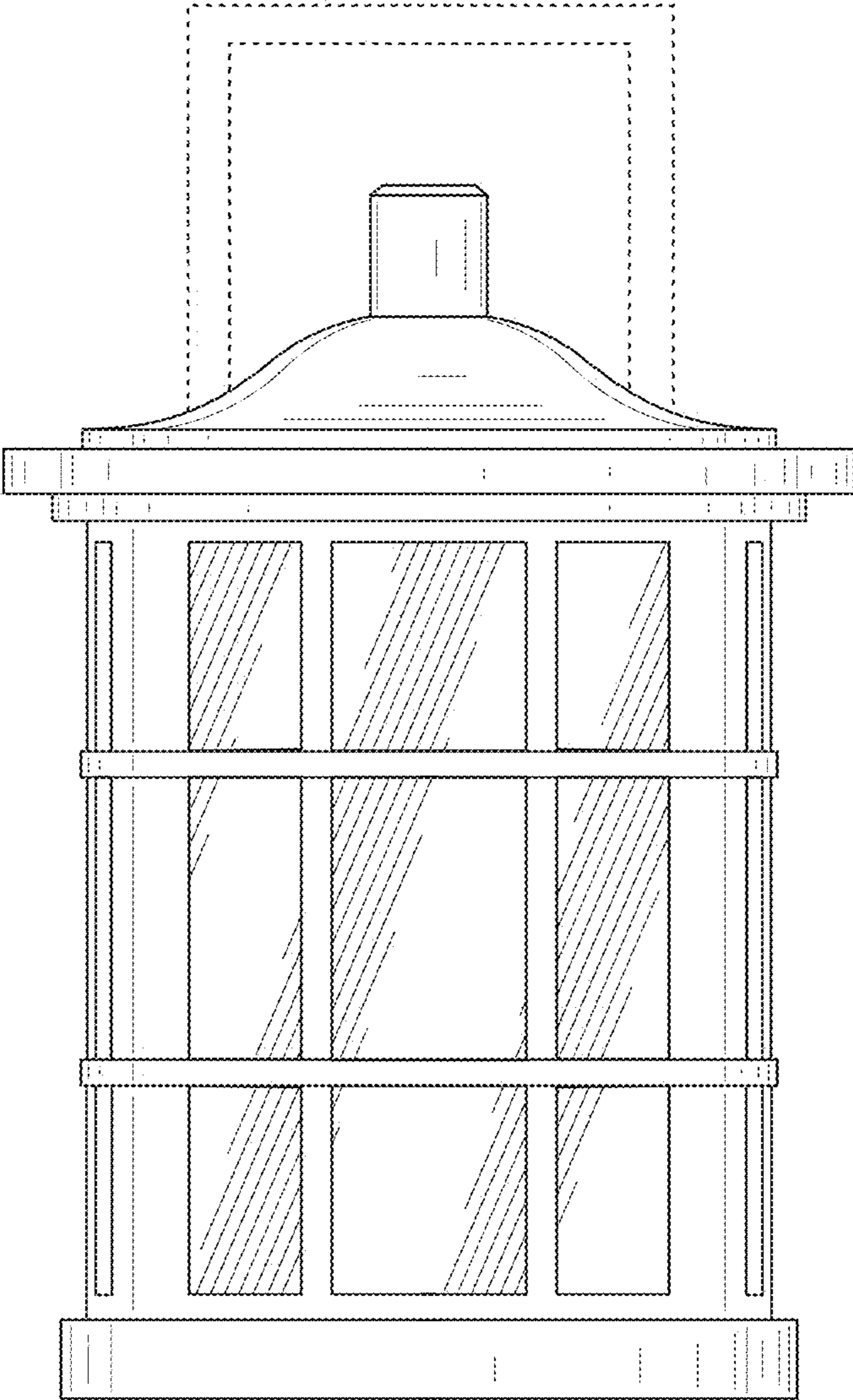


FIG. 4

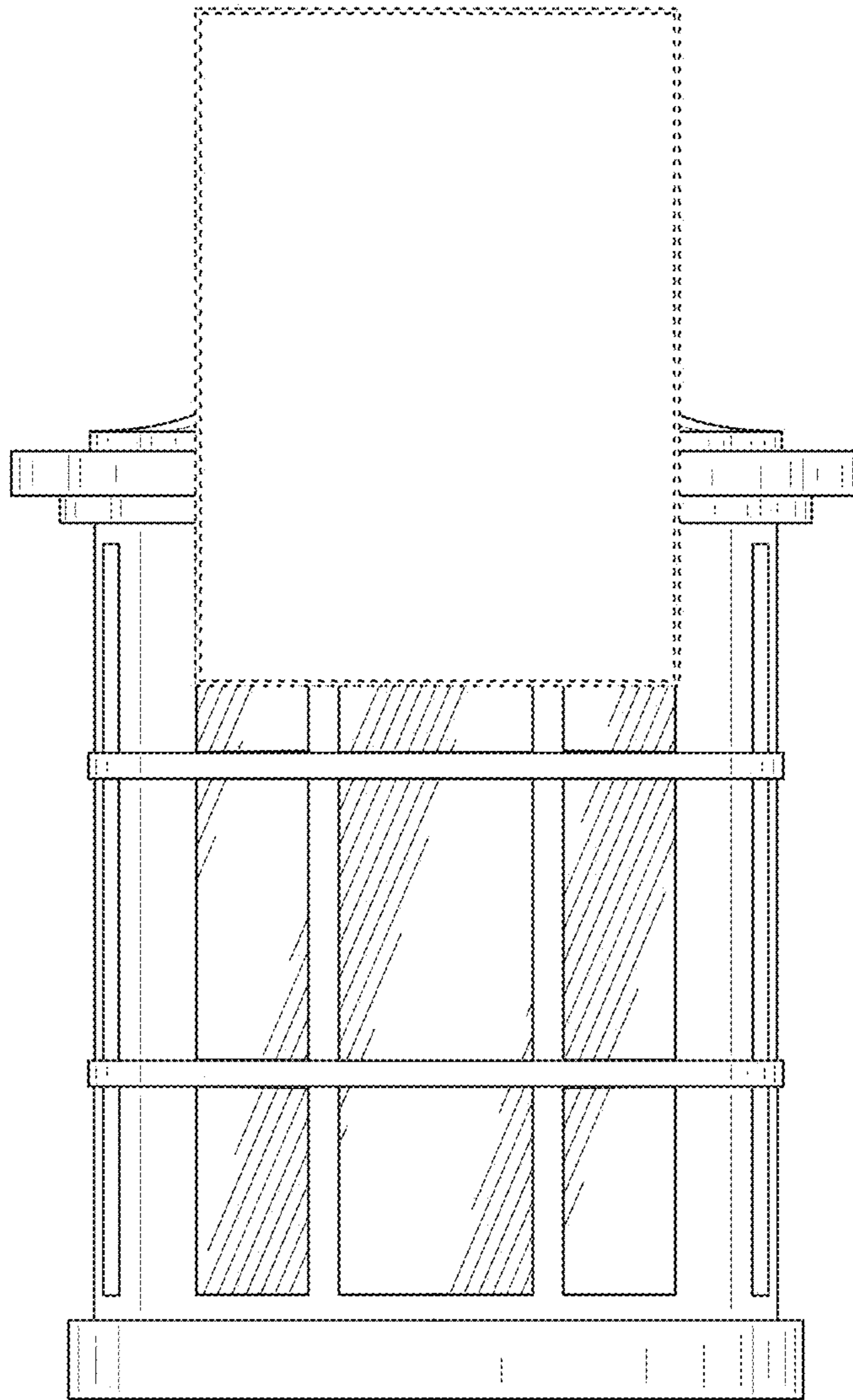


FIG. 5

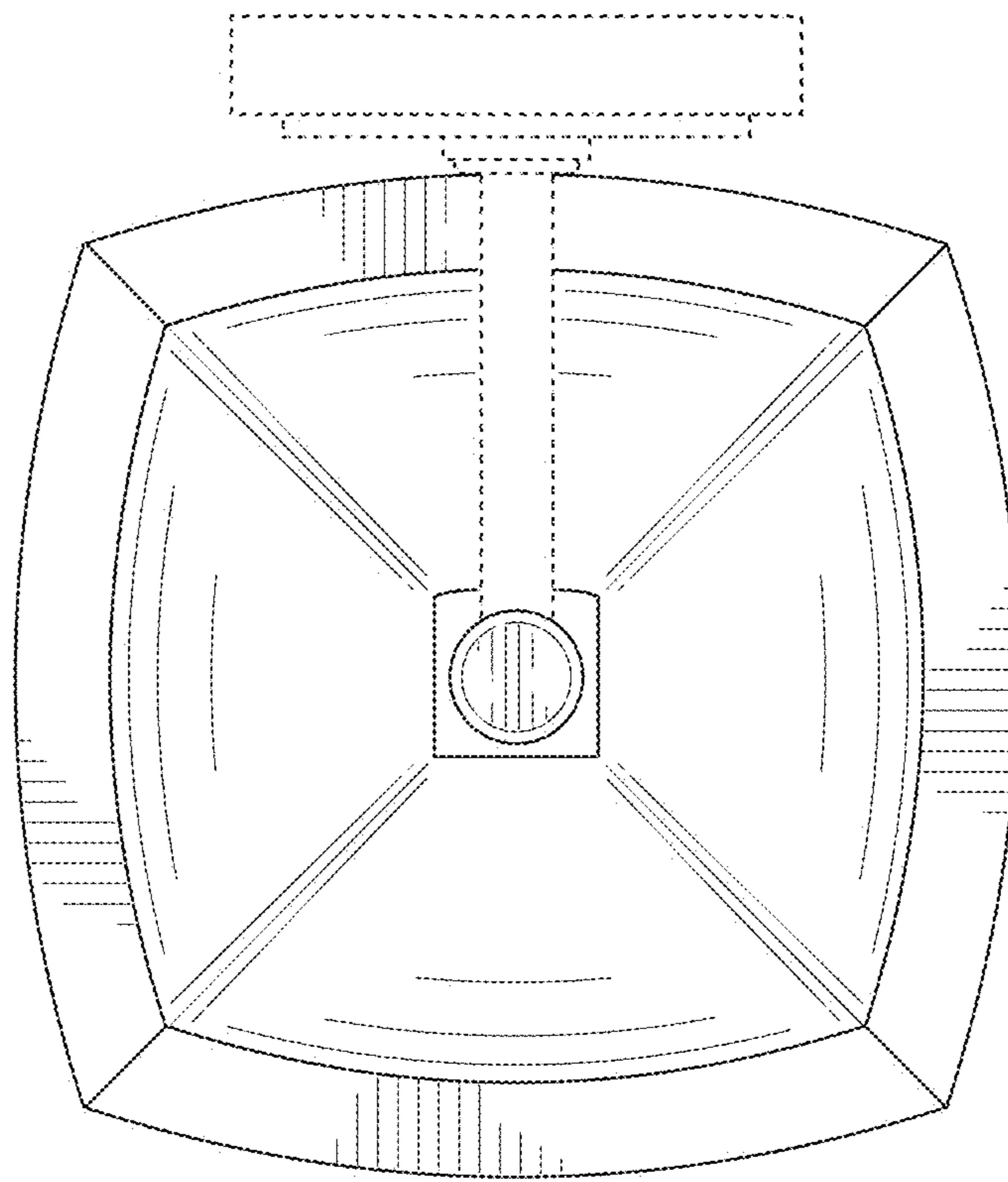


FIG. 6

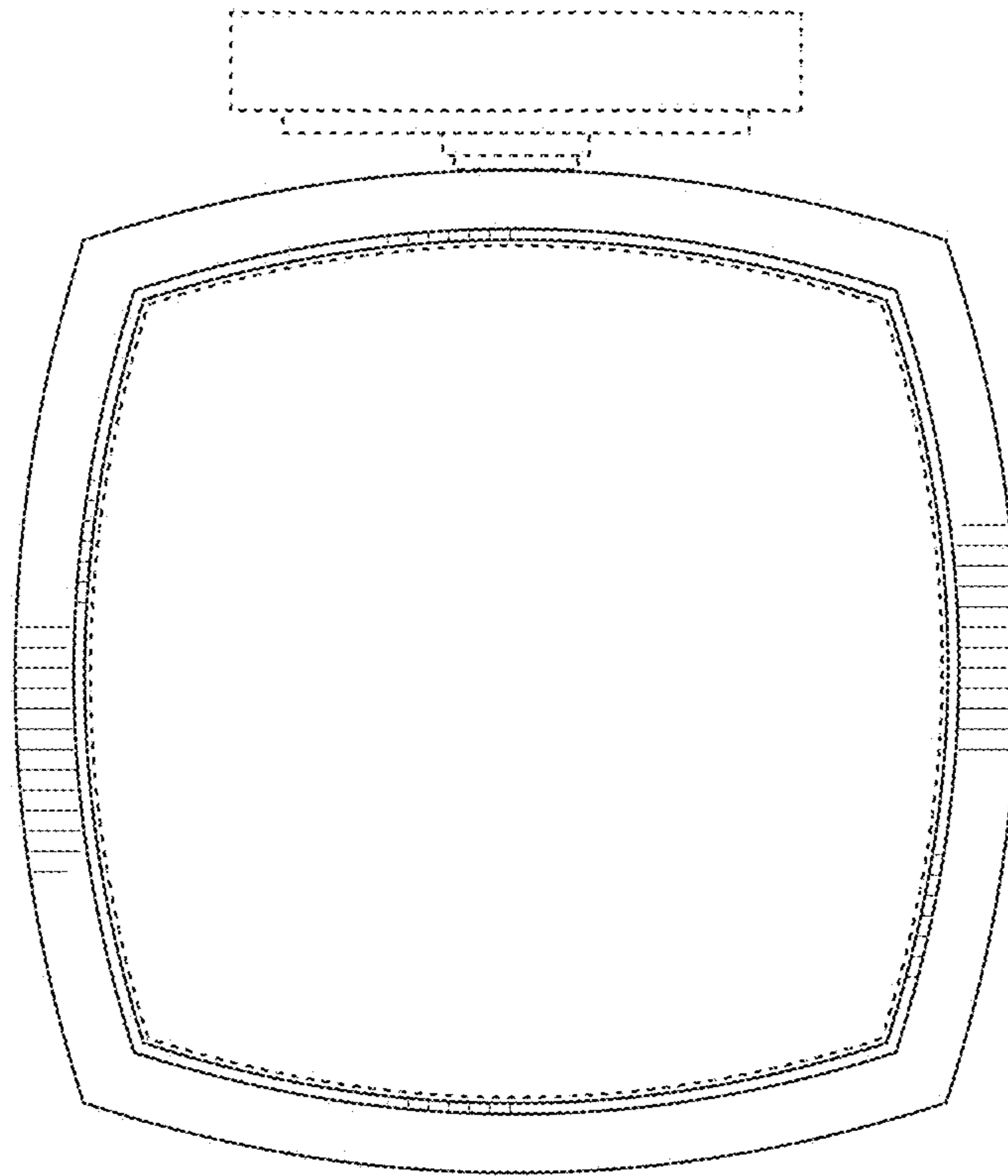


FIG. 7