



US00D754906S

(12) **United States Design Patent**  
**Smith**

(10) **Patent No.:** **US D754,906 S**  
(45) **Date of Patent:** **\*\* Apr. 26, 2016**

(54) **LIGHT FIXTURE**

(71) Applicant: **Quoizel, Inc.**, Goose Creek, SC (US)

(72) Inventor: **Nathan Smith**, Pasadena, CA (US)

(73) Assignee: **Quoizel, Inc.**, Goose Creek, SC (US)

(\*\*) Term: **14 Years**

(21) Appl. No.: **29/514,575**

(22) Filed: **Jan. 14, 2015**

(51) **LOC (10) Cl.** ..... **26-03**

(52) **U.S. Cl.**  
USPC ..... **D26/87; D26/80**

(58) **Field of Classification Search**  
USPC ..... D26/72, 80-84, 86-91, 118, 143, 144;  
362/147, 404-408, 249.02  
CPC ..... F21S 8/028; F21S 8/036; F21S 8/04;  
F21S 8/043; F21S 8/046; F21S 8/06; F21S  
8/061; F21S 8/063; F21S 8/065; F21S 8/068;  
F21V 21/03  
See application file for complete search history.

(56) **References Cited**

**U.S. PATENT DOCUMENTS**

D391,662 S *	3/1998	Miranda	.....	D26/87
D514,730 S *	2/2006	Lo	.....	D26/86
D539,461 S *	3/2007	Deron	.....	D26/87
D573,748 S *	7/2008	Hsu	.....	D26/86
D588,296 S *	3/2009	Sabernig	.....	D26/87
D685,125 S *	6/2013	Dolan	.....	D26/86

**OTHER PUBLICATIONS**

VEGA vanity light fixtures shown on p. 347 of the E.L.K. Lighting Catalog No. 2900.(c)2009. (2 pages, includes rear cover of catalog).\*

MEZZO bathbars shown on pp. 125 and 126 of the Eurofase Illuminations Supplement 2010 Catalog No. MKT-CAT-EF10. © 2010. (2 pages, includes rear cover of catalog).\*

\* cited by examiner

*Primary Examiner* — Clare E Heflin

(74) *Attorney, Agent, or Firm* — Nelson Mullins Riley & Scarborough, LLP

(57) **CLAIM**

The ornamental design for a light fixture, as shown and described.

**DESCRIPTION**

FIG. 1 is a perspective view of a light fixture embodying the design of the present invention.

FIG. 2 is a front side elevational view of the light fixture illustrated in FIG. 1.

FIG. 3 is a back side elevational view of the light fixture illustrated in FIG. 1.

FIG. 4 is a right side elevational view of the light fixture illustrated in FIG. 1.

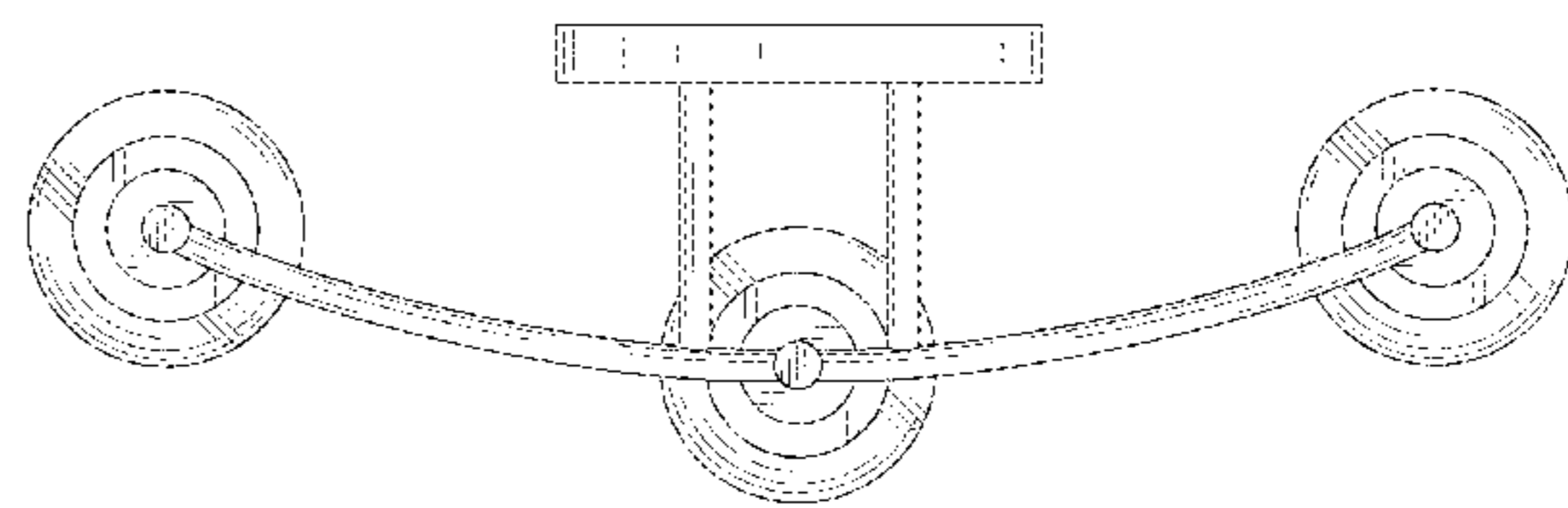
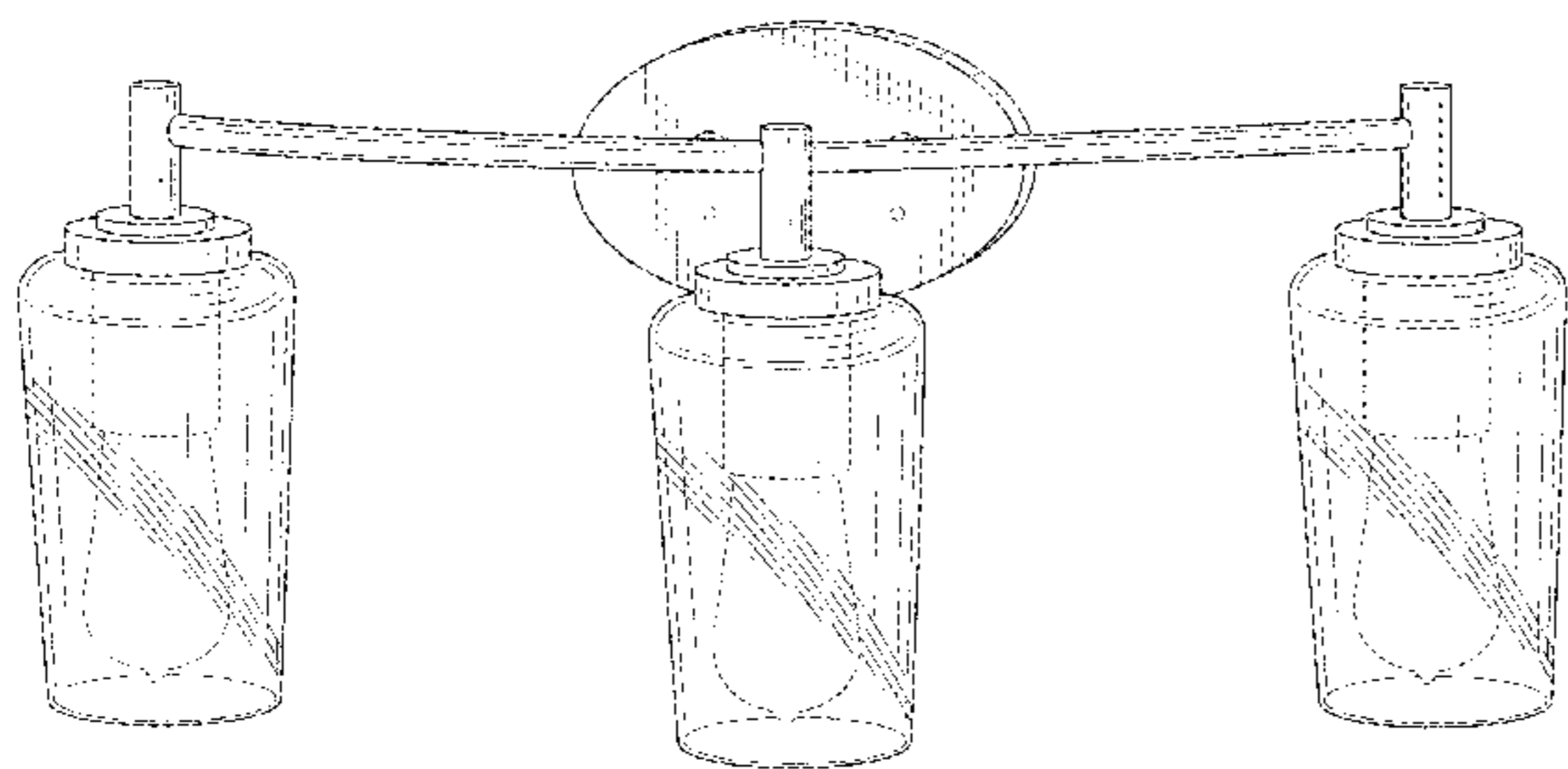
FIG. 5 is a left side elevational view of the light fixture illustrated in FIG. 1.

FIG. 6 is a top view of the light fixture illustrated in FIG. 1; and,

FIG. 7 is a bottom view of the light fixture illustrated in FIG. 1.

The broken lines shown on the drawings depict portions of the light fixture that form no part of the claimed design.

**1 Claim, 6 Drawing Sheets**



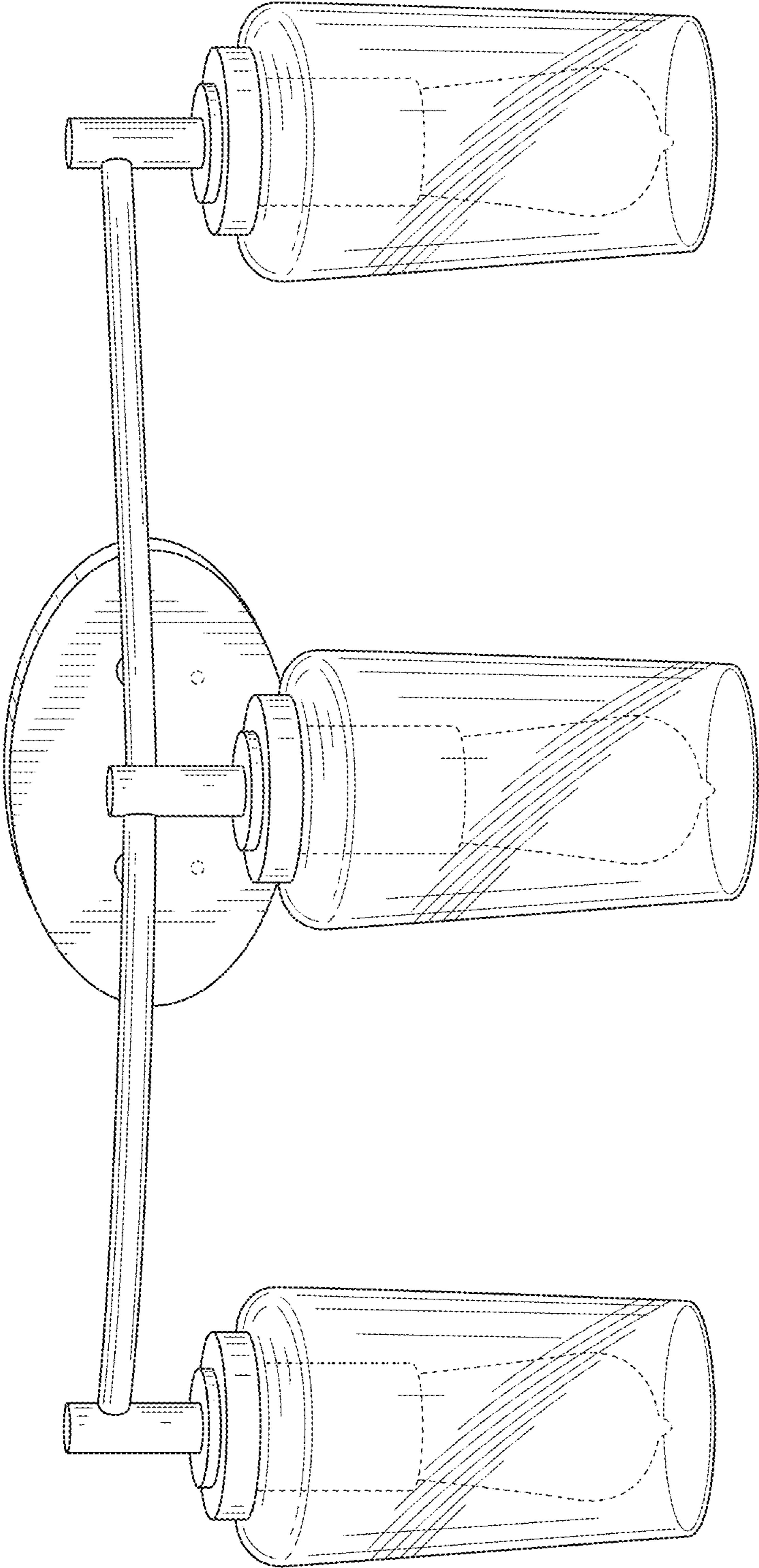


FIG. 1

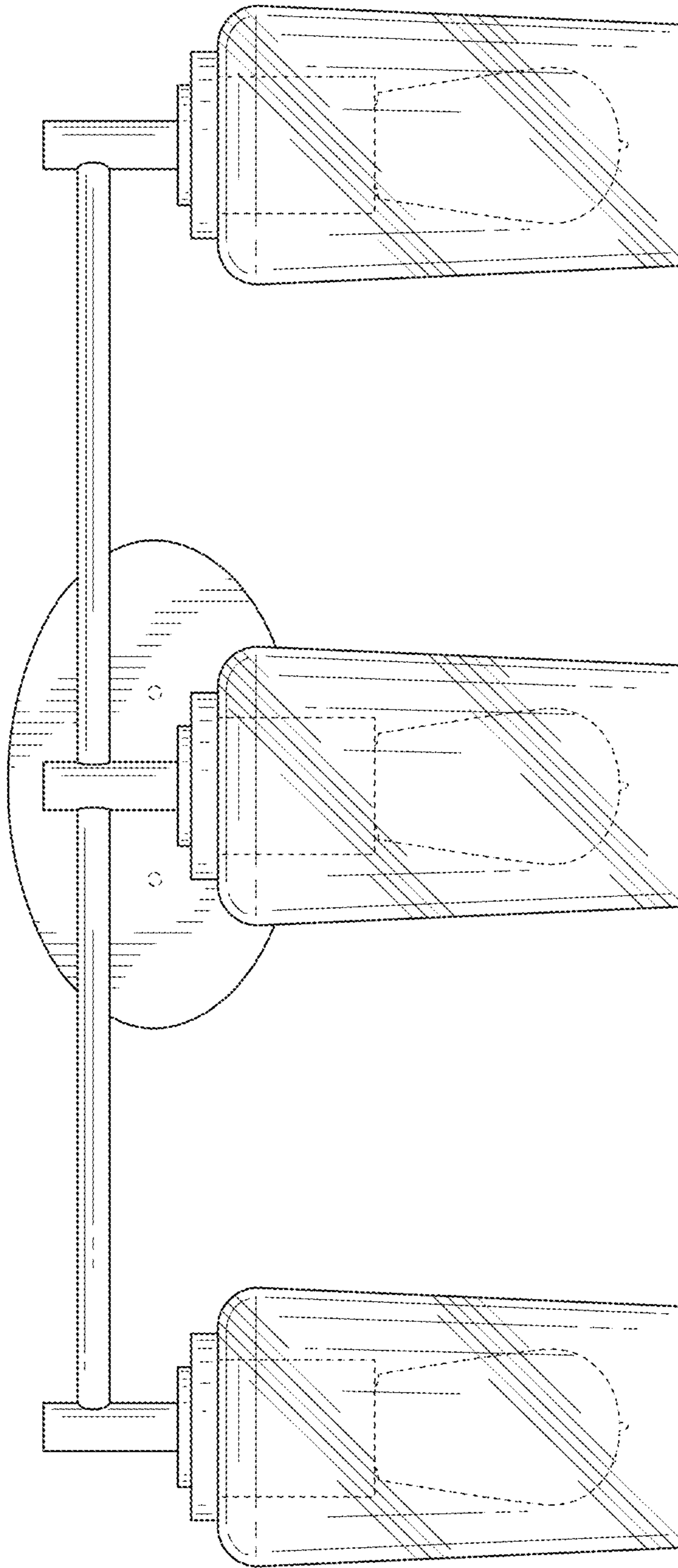


FIG. 2

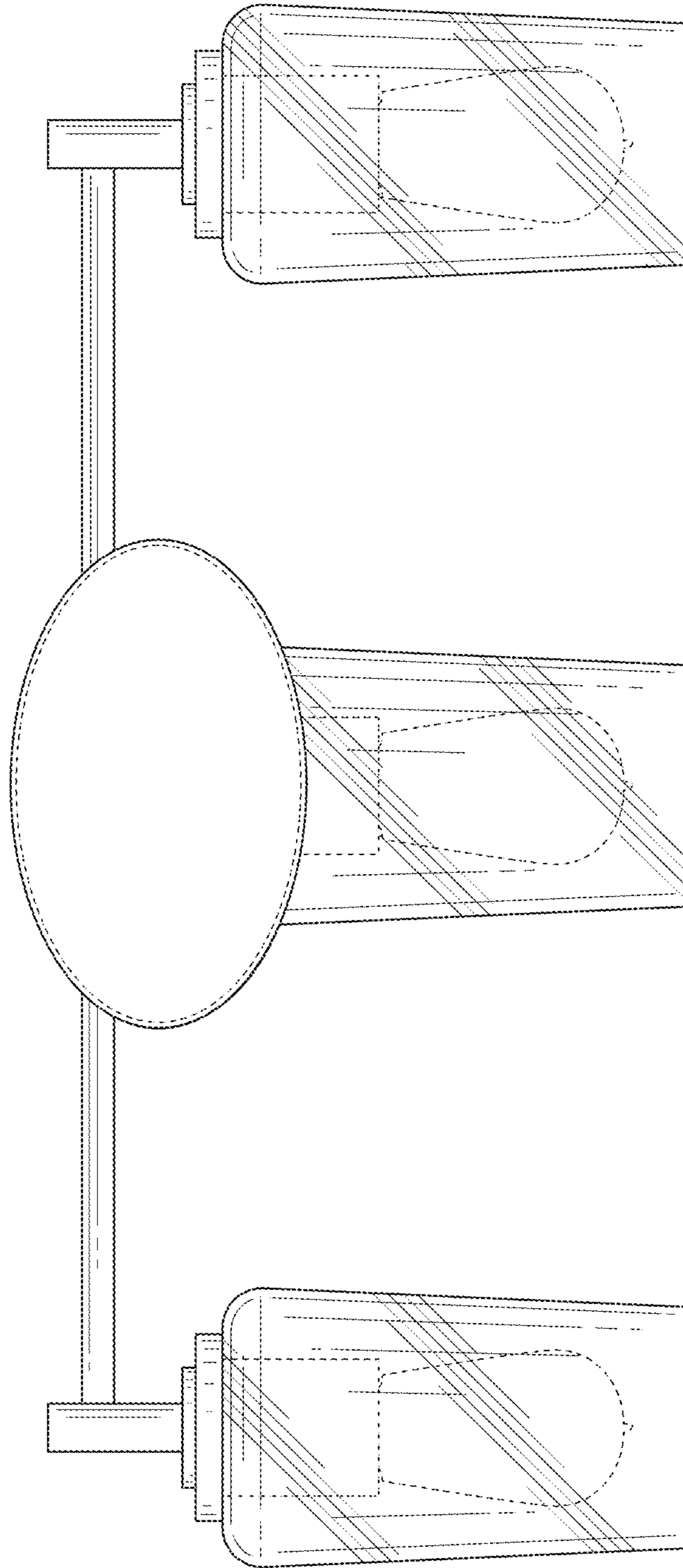


FIG. 3

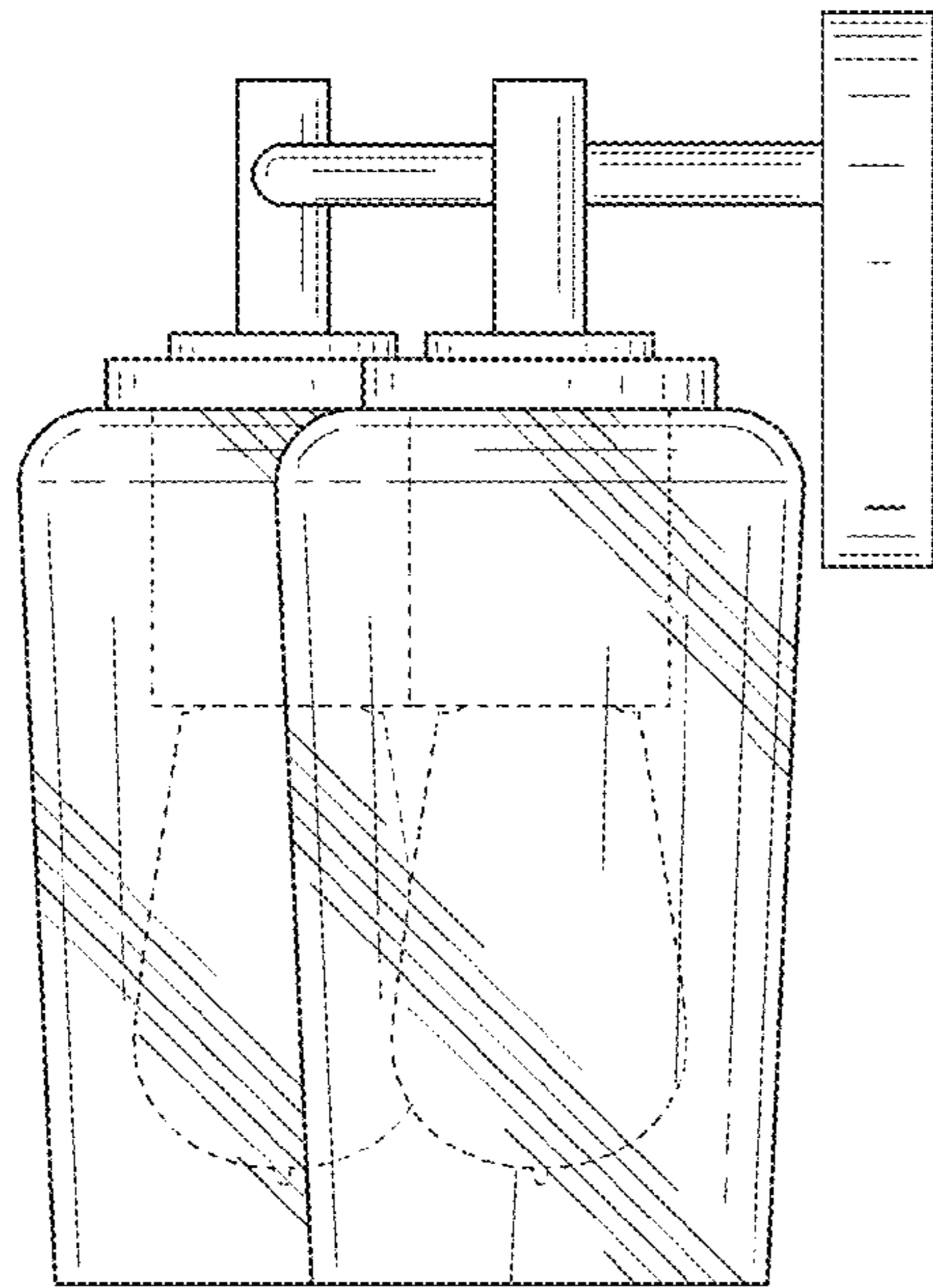


FIG. 4

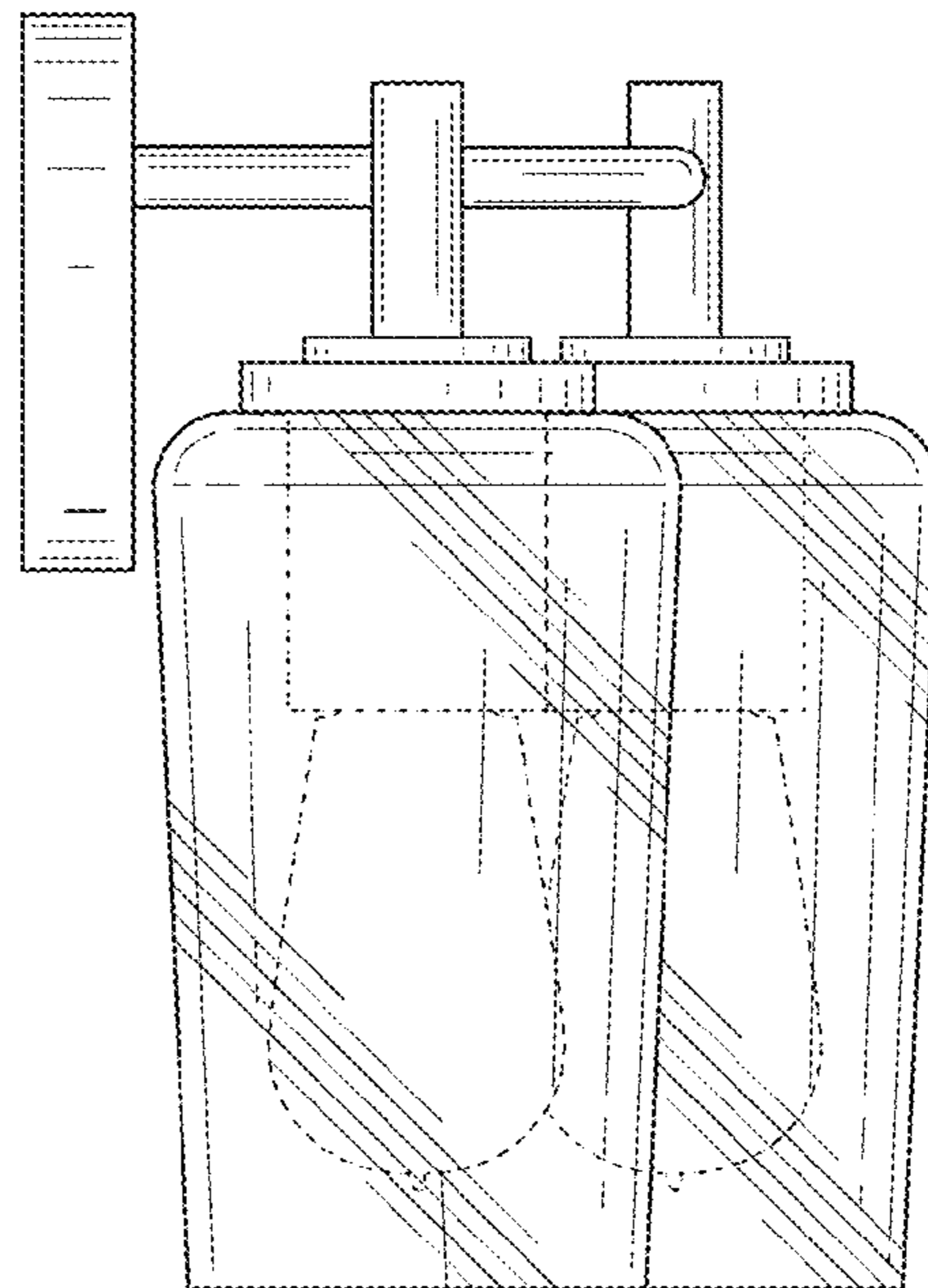


FIG. 5

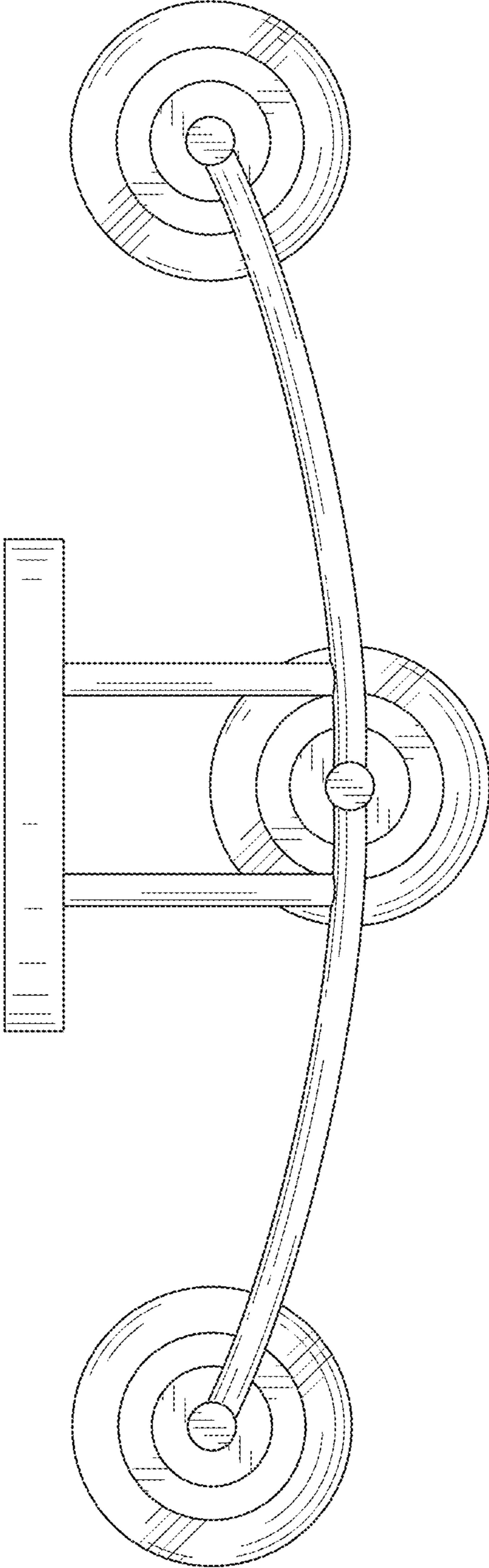


FIG. 6

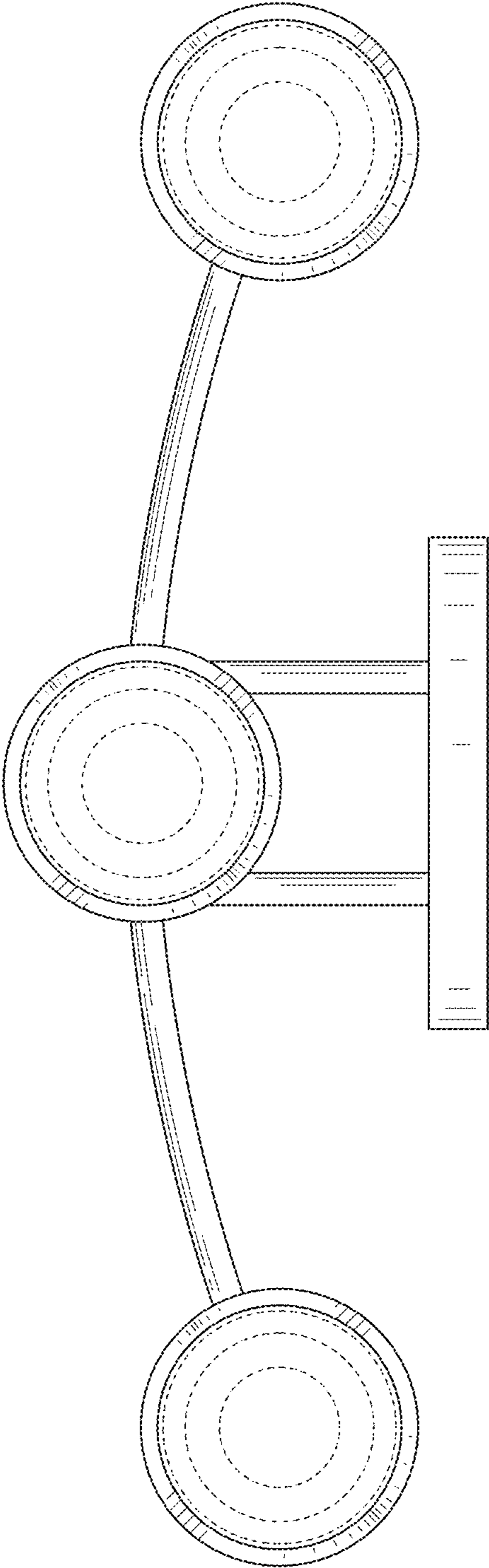


FIG. 7