



US00D754905S

(12) **United States Design Patent**
Colombo

(10) **Patent No.:** **US D754,905 S**
(45) **Date of Patent:** **** Apr. 26, 2016**

(54) **LIGHTING FIXTURE**

(71) Applicant: **IGuzzini Illuminazione S.p. A.**,
Recanati (IT)

(72) Inventor: **Carlo Colombo**, Milan (IT)

(73) Assignee: **IGUZZINI ILLUMINAZIONE S.P.A.**,
Recanati (IT)

(**) Term: **14 Years**

(21) Appl. No.: **29/502,989**

(22) Filed: **Sep. 22, 2014**

(30) **Foreign Application Priority Data**

Mar. 21, 2014 (EM) 002430090-0013

(51) **LOC (10) Cl.** **26-03**

(52) **U.S. Cl.**
USPC **D26/85**

(58) **Field of Classification Search**

USPC D26/72, 85, 87, 89, 92, 118, 63
CPC F21S 8/03; F21S 8/033; F21S 8/036;
F21S 8/037; F21S 8/043; F21S 8/06; F21V
21/02; F21V 33/006; F21W 2131/10; F21W
2131/107; F21W 2131/1005

See application file for complete search history.

(56) **References Cited**

U.S. PATENT DOCUMENTS

D160,809 S * 11/1950 Schear et al. D26/85
D167,863 S * 9/1952 Schreckengost D26/87
D178,075 S * 6/1956 Manley D26/104
D190,671 S * 6/1961 Rambusch et al. D26/85
D564,693 S * 3/2008 Ziliani D26/85
D574,992 S * 8/2008 Citterio D26/87

D580,085 S * 11/2008 Svensson D26/71
D646,824 S * 10/2011 Bembridge D26/67
D697,659 S * 1/2014 Sabernig D26/87
2014/0313727 A1* 10/2014 Dupre F21V 19/02
362/287
2015/0049513 A1* 2/2015 Haubach F21V 19/04
362/648

OTHER PUBLICATIONS

“Rocky Ceiling” from Edge Lighting. Downloaded from edgelighting.com on Feb. 26, 2009.*

* cited by examiner

Primary Examiner — Clare E Heflin

(74) *Attorney, Agent, or Firm* — Abelman, Frayne & Schwab

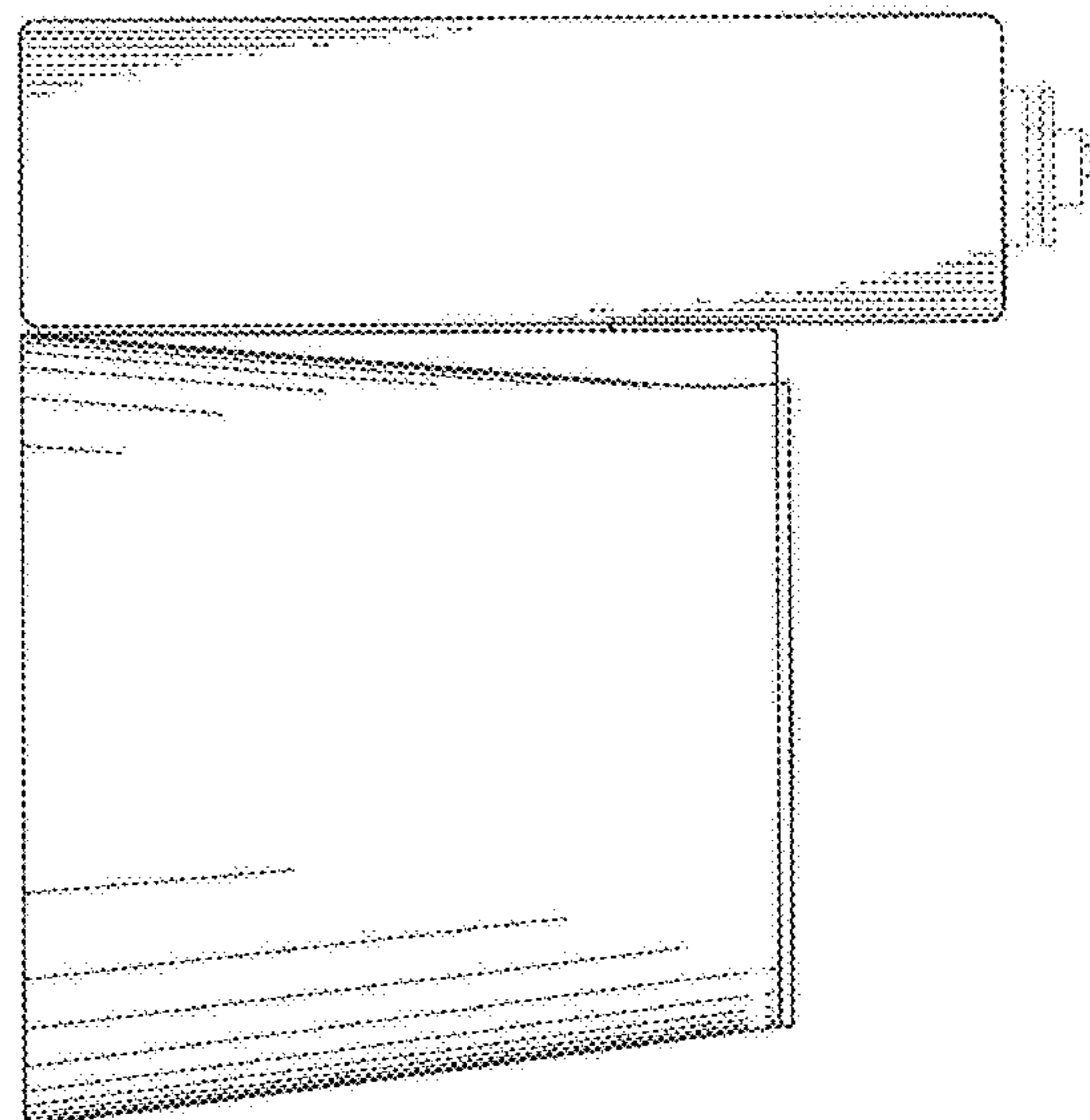
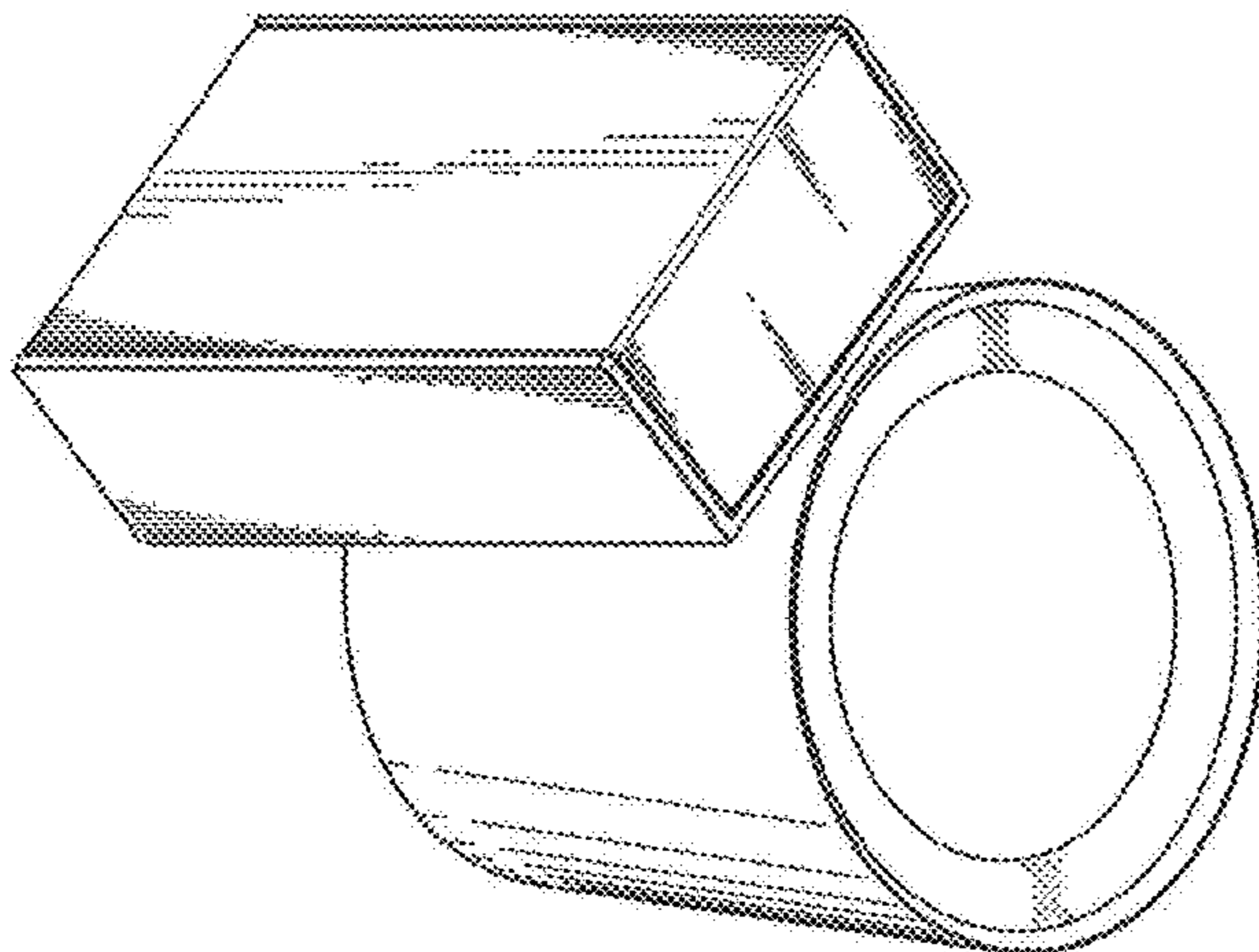
(57) **CLAIM**

The ornamental design for a lighting fixture, as shown and described.

DESCRIPTION

FIG. 1 is a front, left side and top perspective view of the lighting fixture showing my new design;
FIG. 2 is a front elevational view thereof;
FIG. 3 is a right side elevational view thereof, the left side being a mirror image thereof;
FIG. 4 is a left side elevational view thereof, the right side being a mirror image thereof;
FIG. 5 is a rear elevational view thereof;
FIG. 6 is a top plan view thereof; and,
FIG. 7 is a bottom plan view thereof.
The broken lines shown on the drawings depict portions of the lighting fixture that form no part of the claimed design.

1 Claim, 7 Drawing Sheets



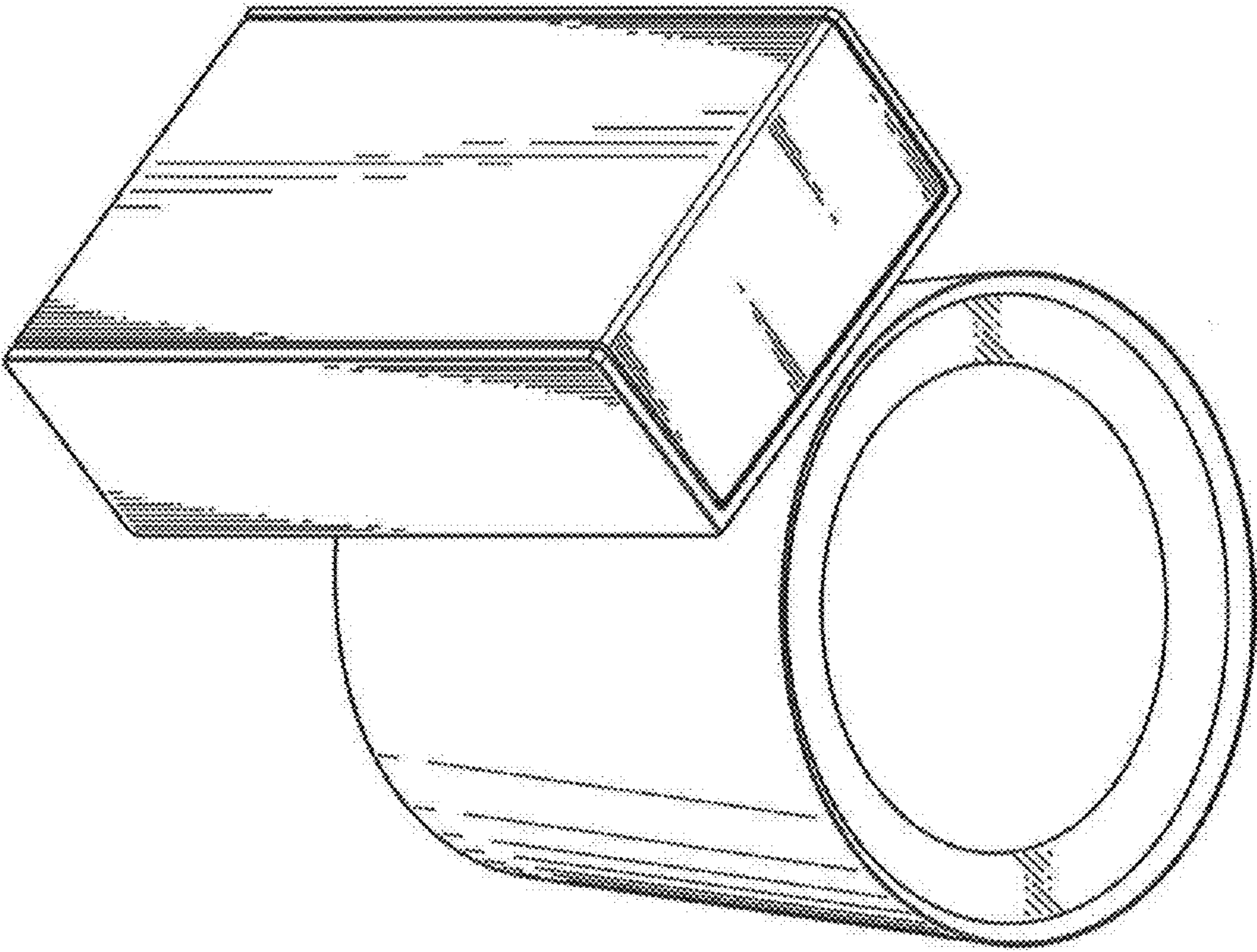


FIG. 1

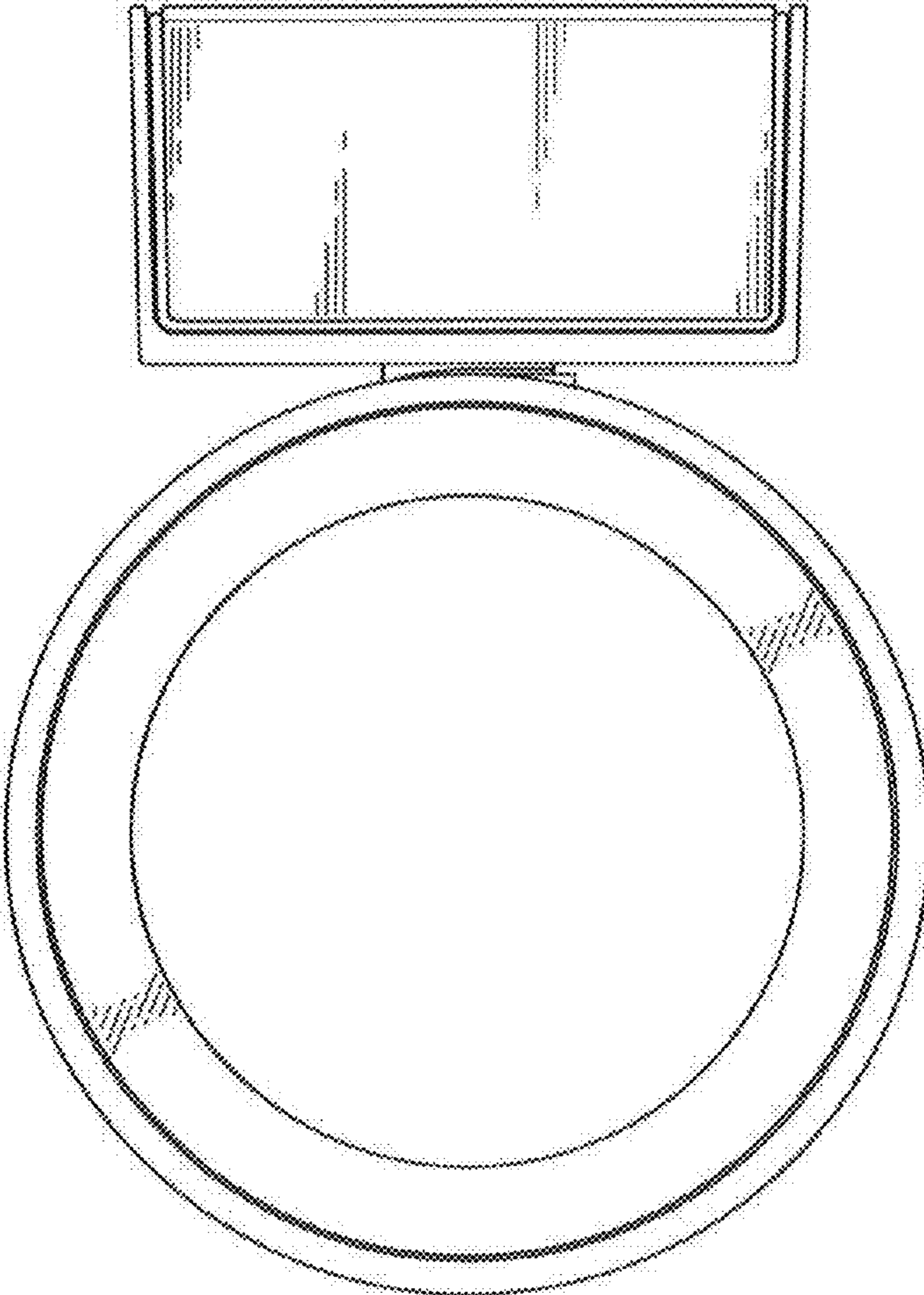


FIG. 2

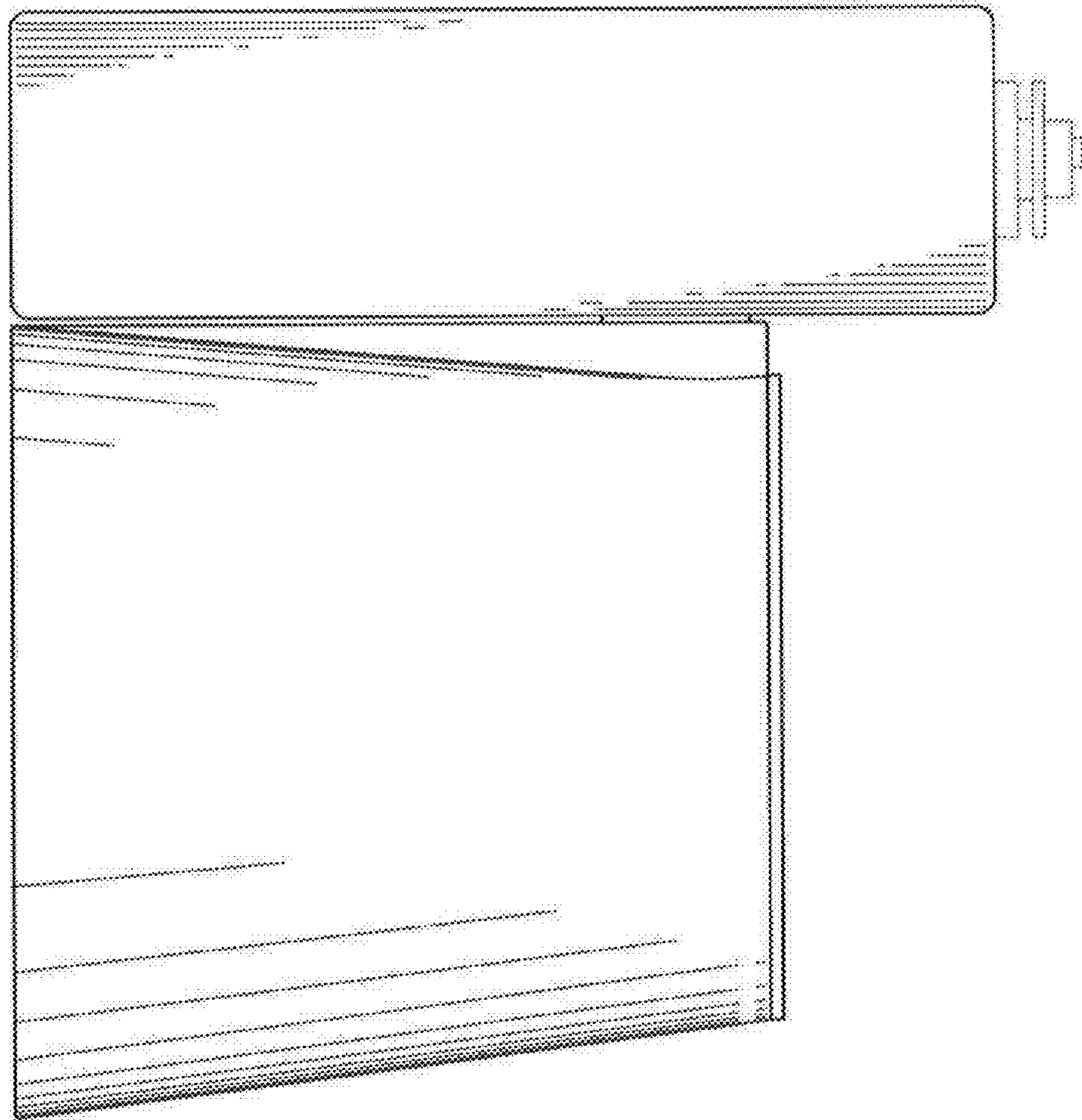


FIG. 3

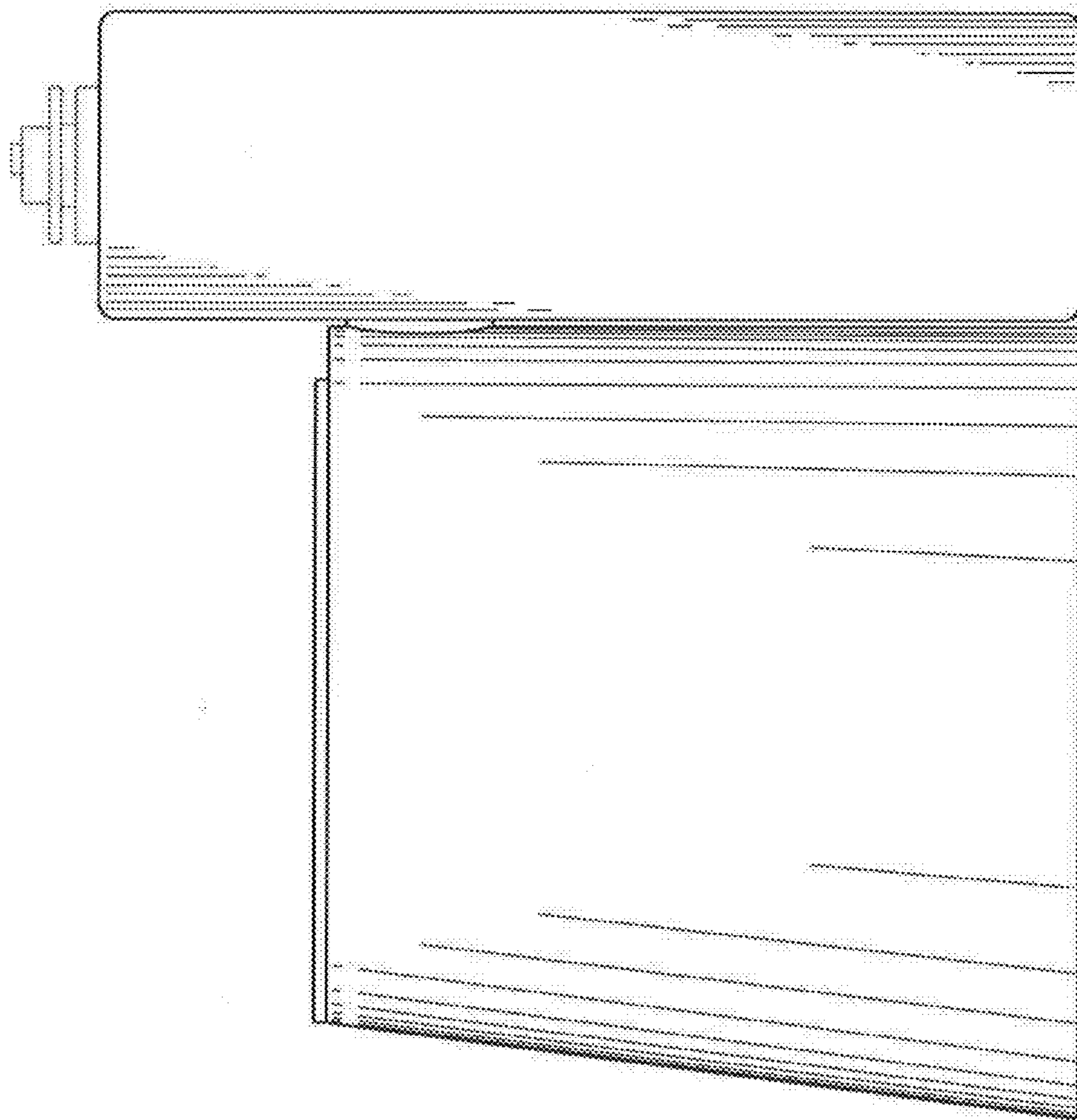


FIG. 4

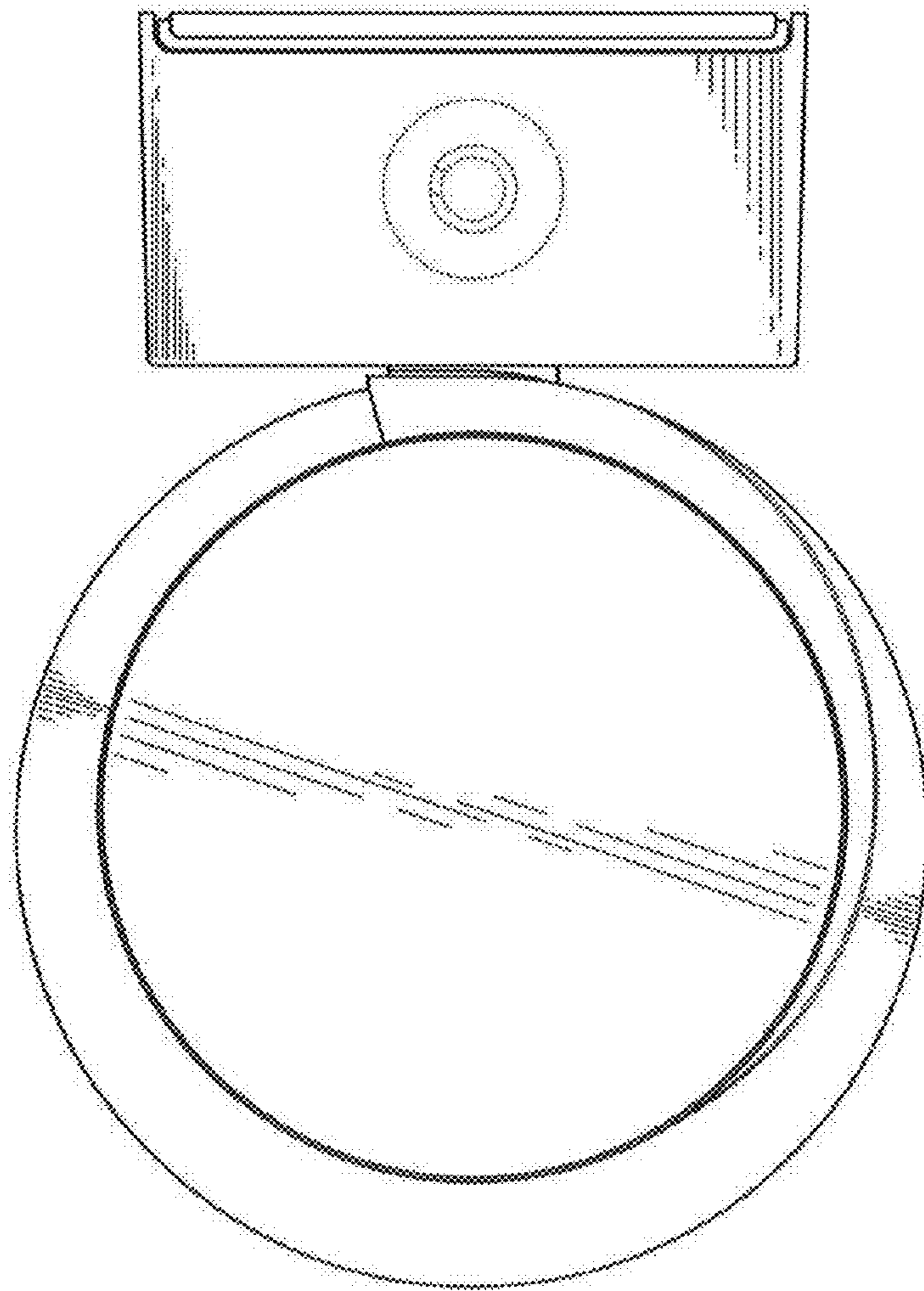


FIG. 5

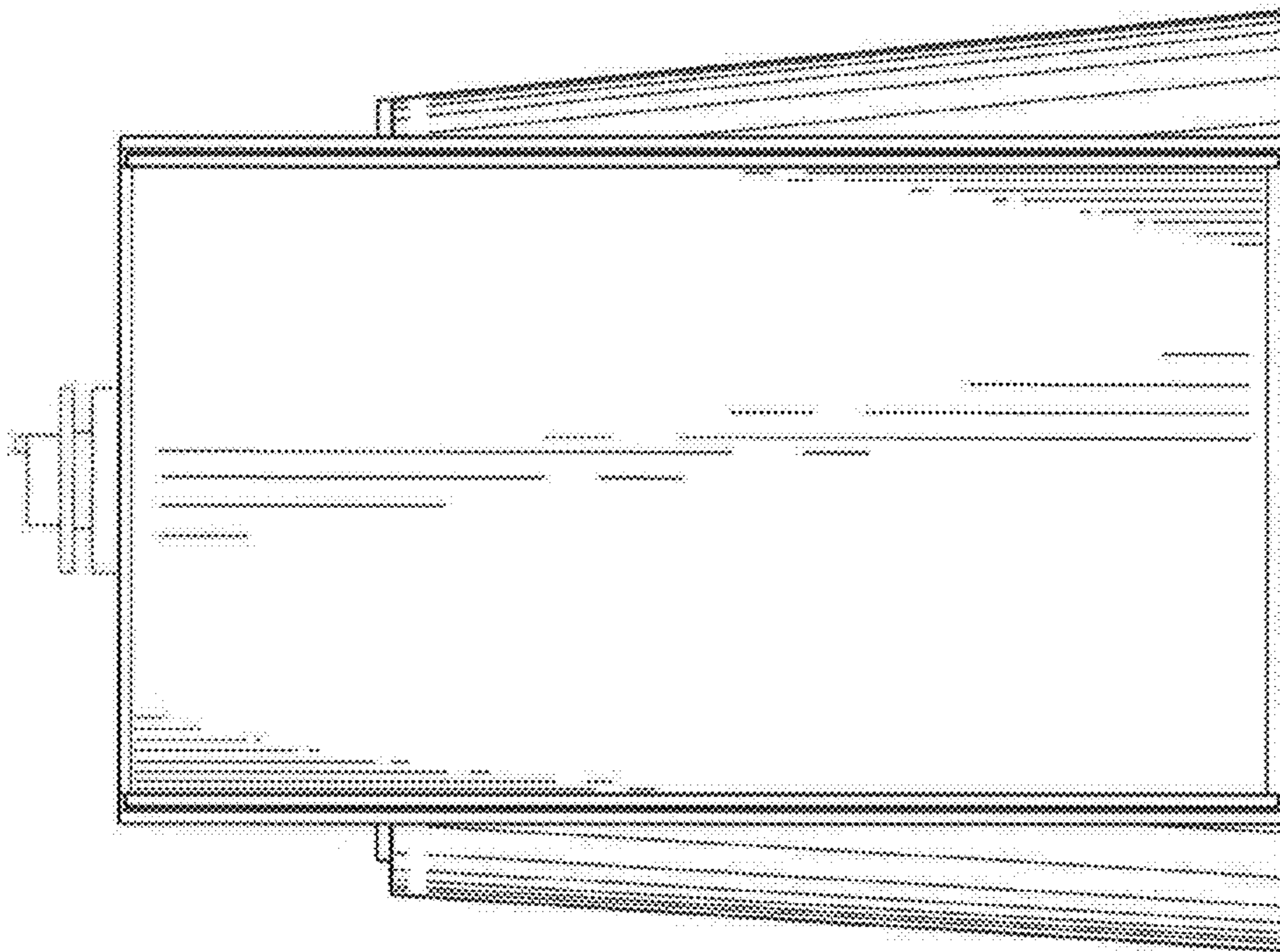


FIG. 6

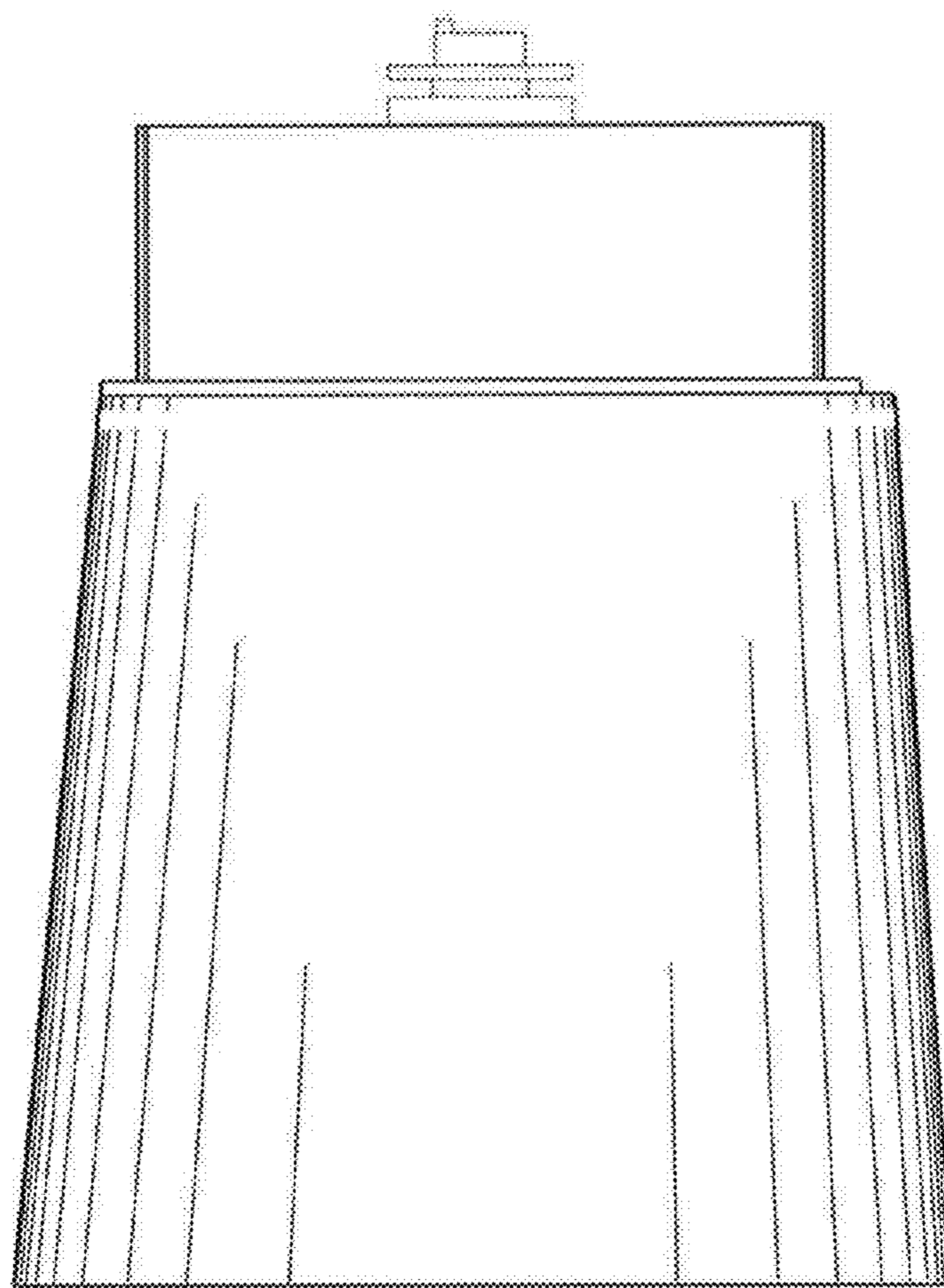


FIG. 7