



US00D754902S

(12) **United States Design Patent**
Parker et al.

(10) **Patent No.:** **US D754,902 S**
(45) **Date of Patent:** **** Apr. 26, 2016**

- (54) **LINEAR LUMINAIRE**
- (71) Applicant: **OSRAM SYLVANIA Inc.**, Wilmington, MA (US)
- (72) Inventors: **Matthew Parker**, Lee, NH (US); **Amina Chidiac**, Portsmouth, NH (US)
- (73) Assignee: **OSRAM SYLVANIA Inc.**, Wilmington, MA (US)
- (**) Term: **14 Years**
- (21) Appl. No.: **29/491,860**
- (22) Filed: **May 27, 2014**
- (51) **LOC (10) Cl.** **26-03**
- (52) **U.S. Cl.**
USPC **D26/76**
- (58) **Field of Classification Search**
USPC D26/76, 78, 79, 80, 81, 82, 83, 85, 86, D26/88, 90, 113, 118, 119, 120, 121, 122, D26/138, 139, 140, 141, 142
CPC F21S 2/00; F21S 4/00; F21S 4/003; F21S 4/005; F21S 4/006; F21S 4/007; F21S 4/008; F21S 6/00; F21S 8/00; F21S 8/024; F21S 8/026; F21S 8/031; F21S 8/033; F21S 8/035-8/037; F21S 8/04; F21S 8/043; F21S 8/063
See application file for complete search history.

- D617,488 S * 6/2010 Cho D26/76
- 8,235,545 B2 * 8/2012 Zheng F21K 9/17 362/218
- D681,873 S * 5/2013 Hoch D26/141
- D691,750 S * 10/2013 Mackiewicz D26/3
- 9,163,794 B2 * 10/2015 Simon F21K 9/17
- D745,985 S * 12/2015 Bendtsen D26/2
- D746,491 S * 12/2015 Bendtsen D26/2

* cited by examiner

Primary Examiner — George D Kirschbaum
Assistant Examiner — Natasha Vujcic
(74) *Attorney, Agent, or Firm* — Shaun P. Montana

(57) **CLAIM**

The ornamental design for a linear luminaire, as shown and described.

DESCRIPTION

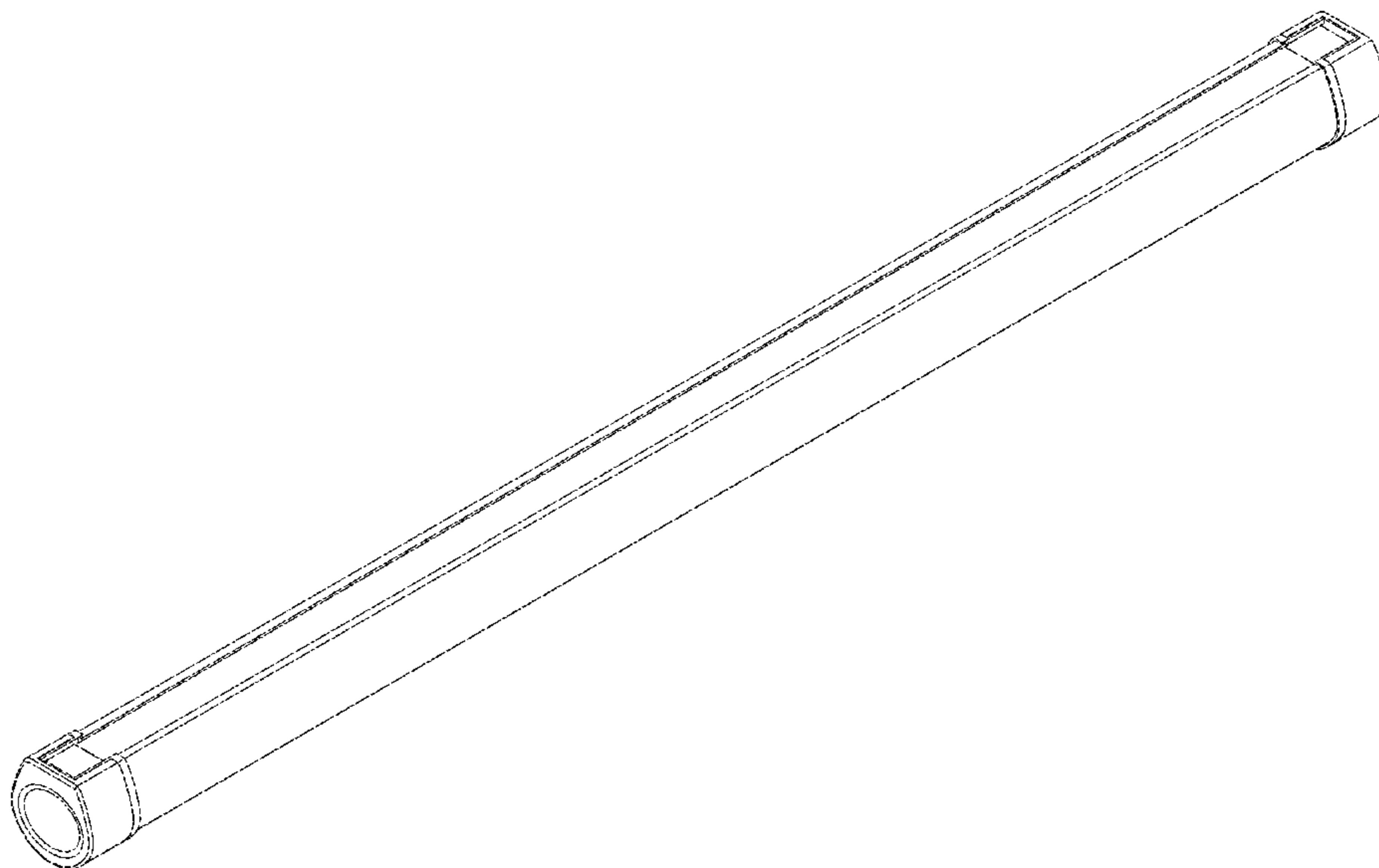
FIG. 1 is a perspective view of a first embodiment of the ornamental design of a linear luminaire.
FIG. 2 is another perspective view of the design in FIG. 1;
FIG. 3 is a left side view of the design in FIG. 1;
FIG. 4 is a top view of the design in FIG. 1;
FIG. 5 is a bottom view of the design in FIG. 1;
FIG. 6 is a front view of the design in FIG. 1;
FIG. 7 is a right side view of the design in FIG. 1;
FIG. 8 is a back view of the design in FIG. 1;
FIG. 9 is a perspective view of a second embodiment of the design;
FIG. 10 is a top view of the design in FIG. 9;
FIG. 11 is a perspective view of a third embodiment of the design;
FIG. 12 is another perspective view of the design in FIG. 11;
FIG. 13 is a left side view of the design in FIG. 11;
FIG. 14 is a top view of the design in FIG. 11; and,
FIG. 15 is a right side view of the design in FIG. 11.

1 Claim, 10 Drawing Sheets

(56) **References Cited**

U.S. PATENT DOCUMENTS

- D459,516 S * 6/2002 Demers D26/75
- 7,049,761 B2 * 5/2006 Timmermans F21K 9/17 257/E25.028
- D556,359 S * 11/2007 Cunius D26/76
- D584,429 S * 1/2009 Pei D26/3



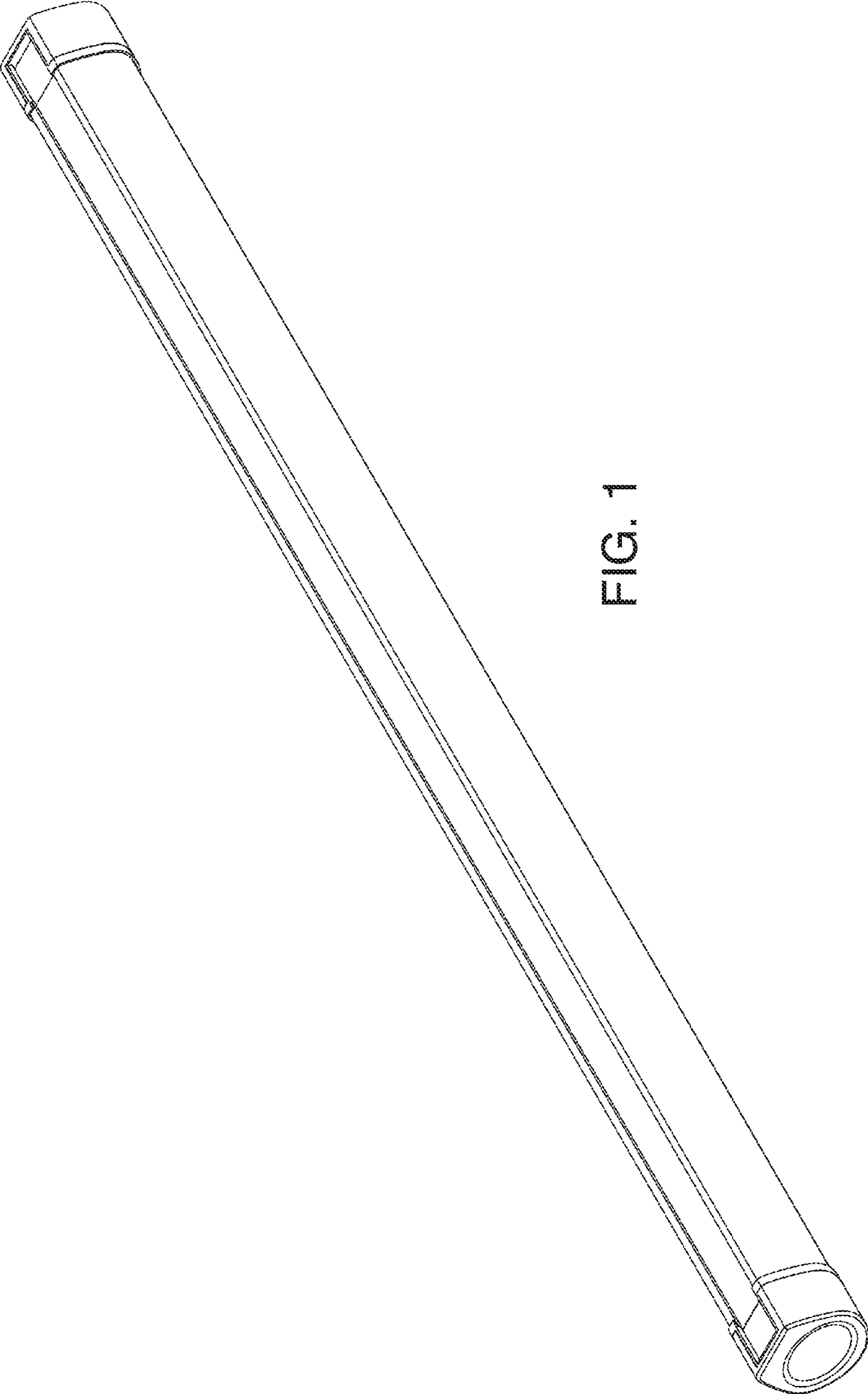


FIG. 1

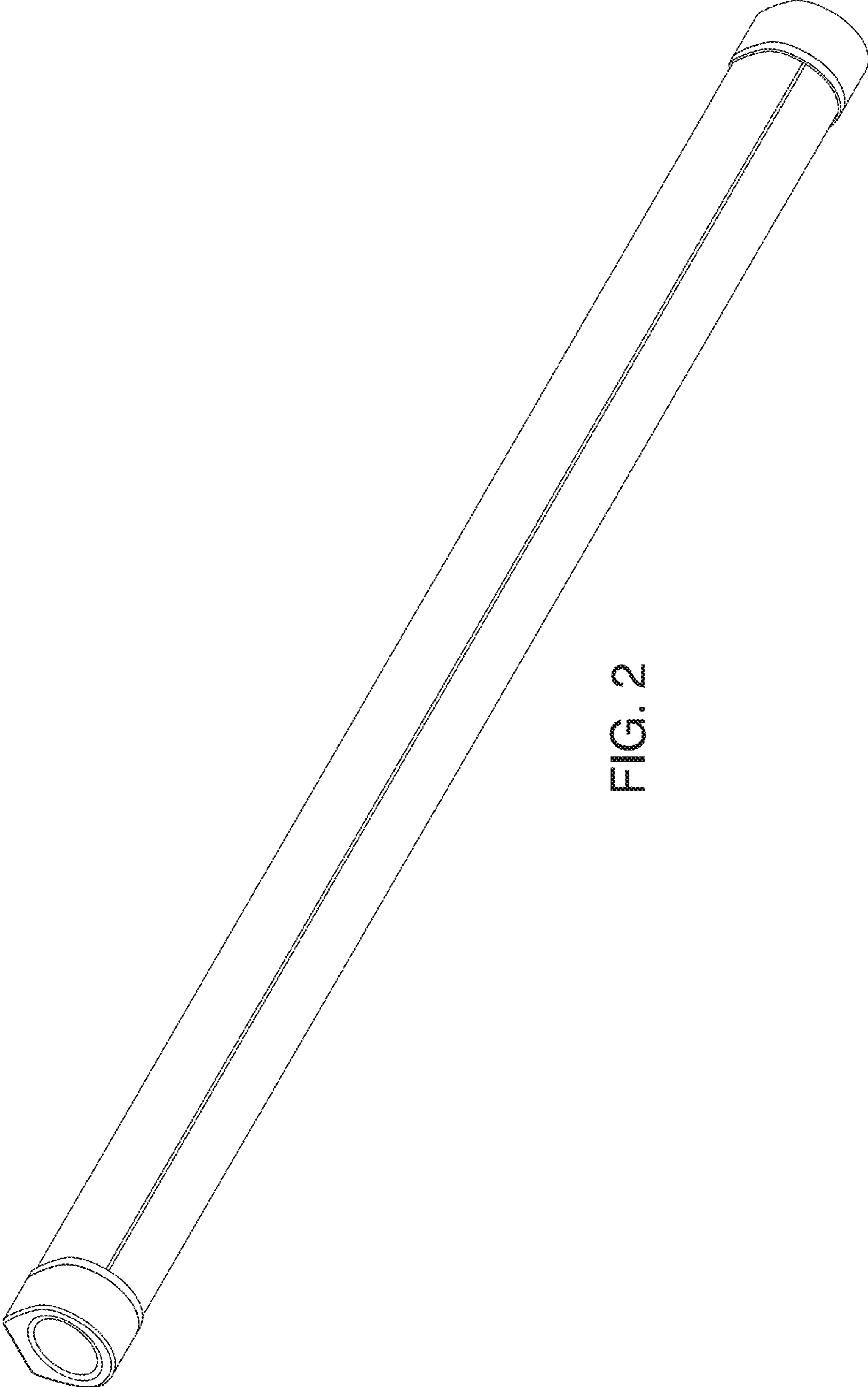


FIG. 2

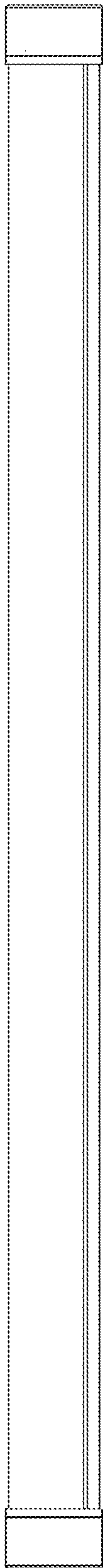


FIG. 3

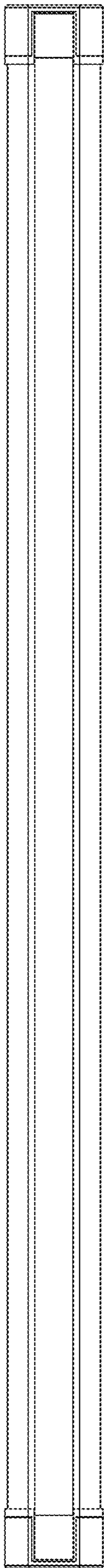


FIG. 4

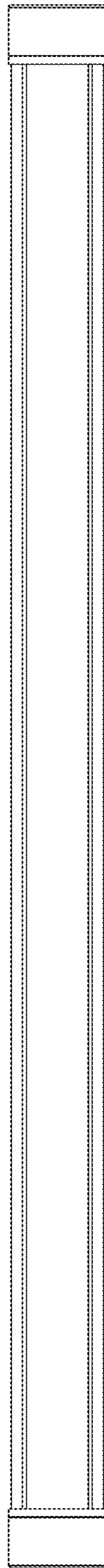


FIG. 5

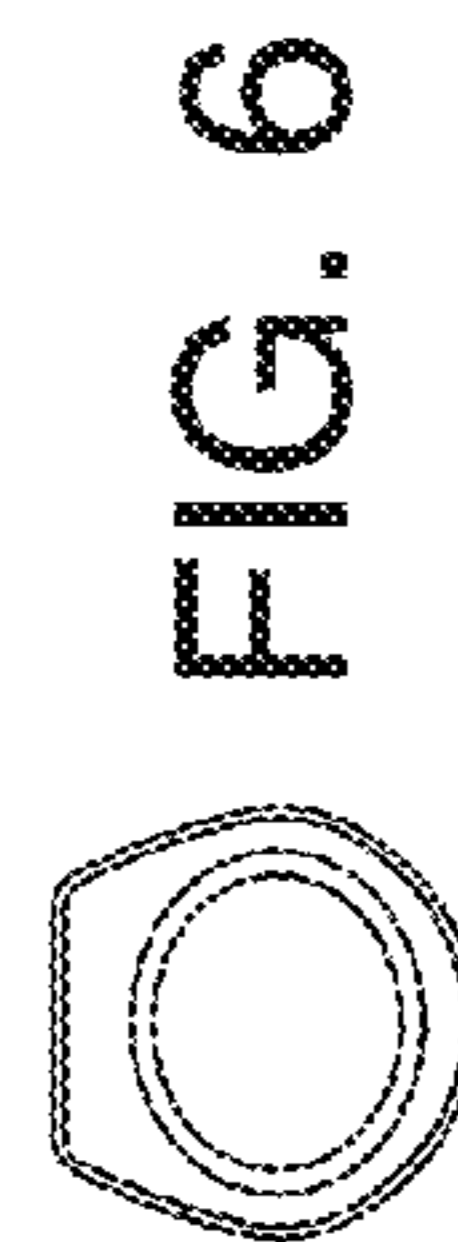


FIG. 6

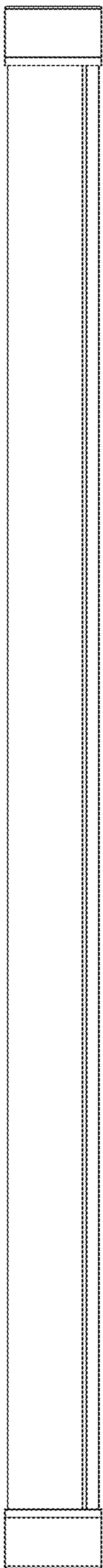


FIG. 7

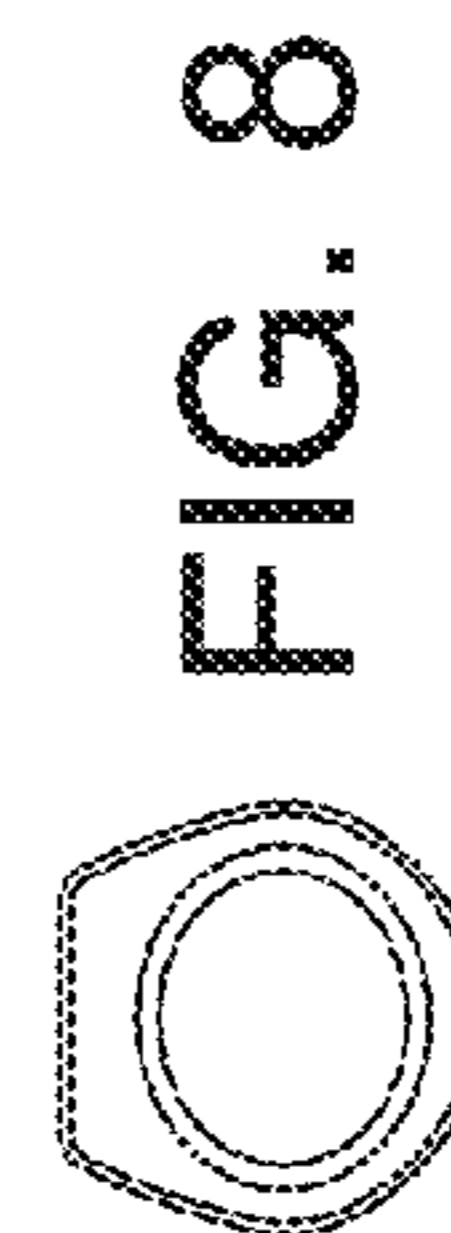


FIG. 8

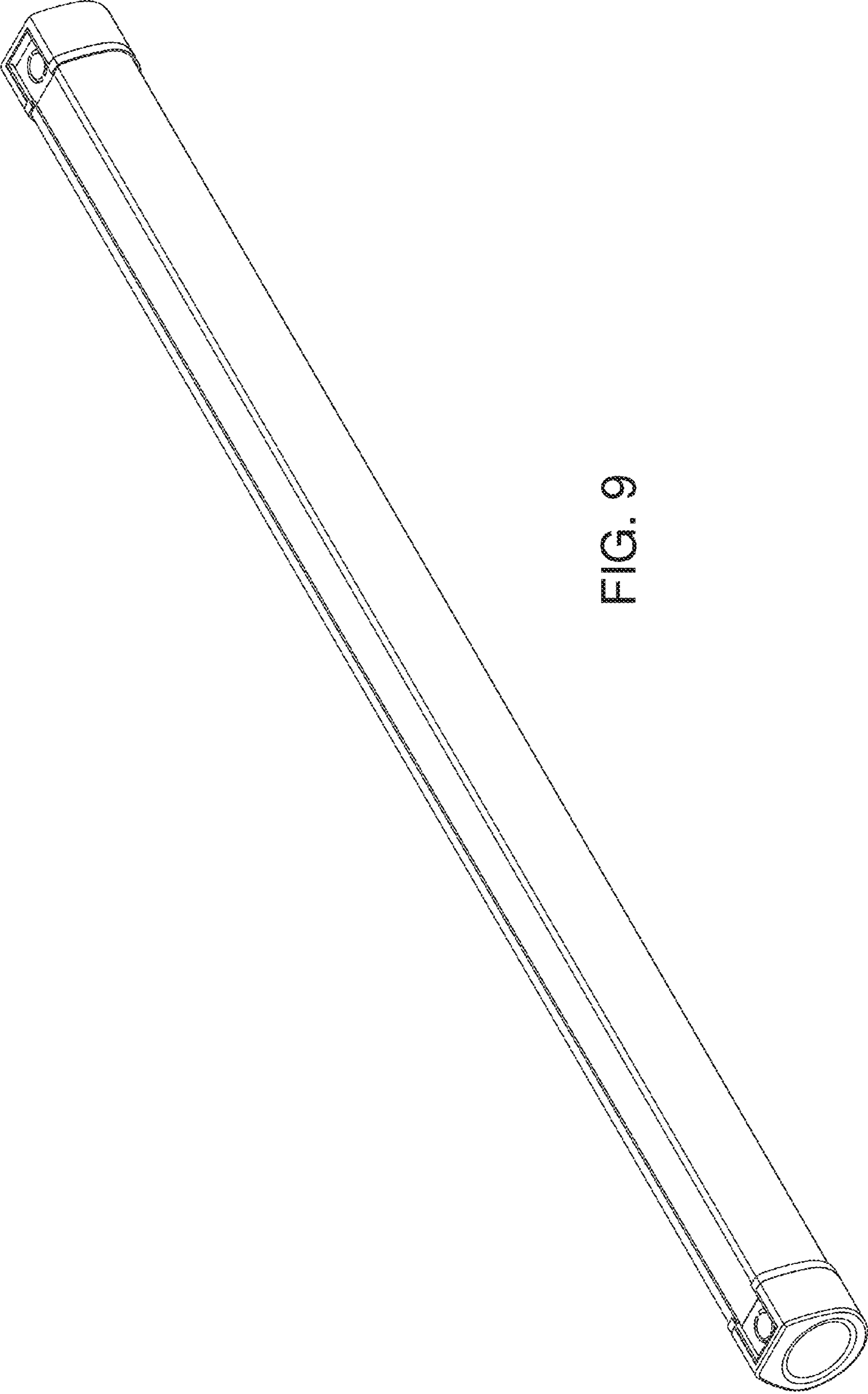


FIG. 9

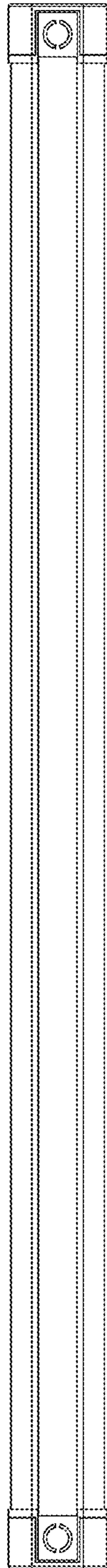


FIG. 10

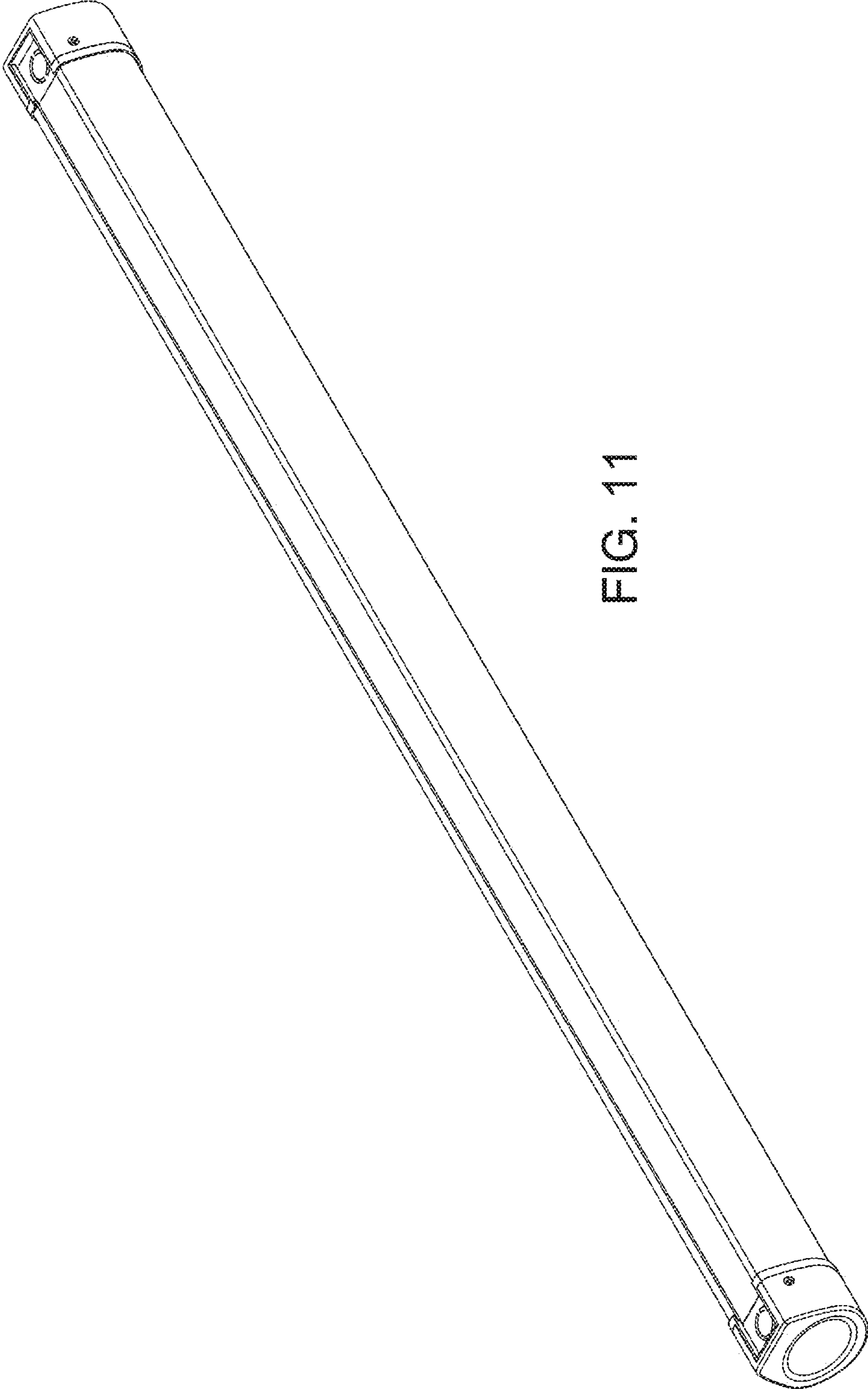


FIG. 11

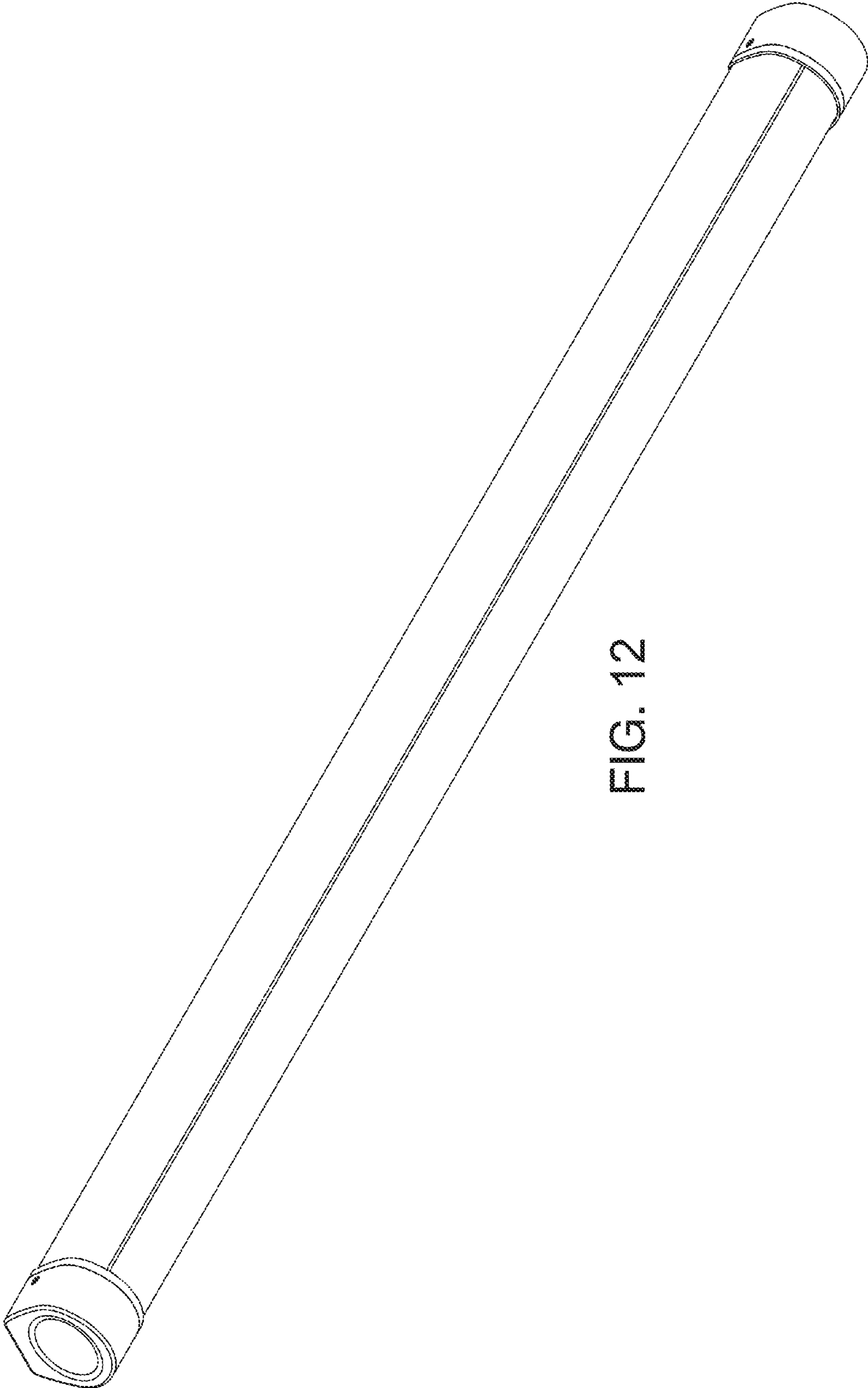


FIG. 12

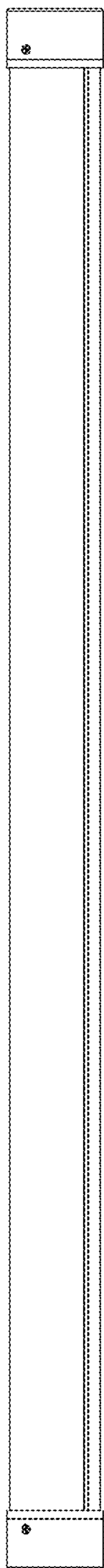


FIG. 13

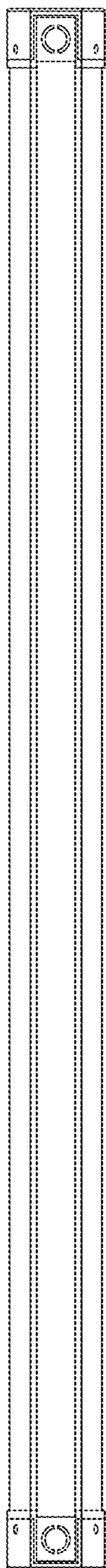


FIG. 14

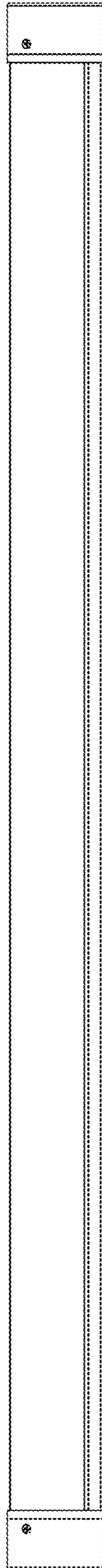


FIG. 15