



US00D754901S

(12) **United States Design Patent**  
**Recor et al.**

(10) **Patent No.:** **US D754,901 S**

(45) **Date of Patent:** **\*\* Apr. 26, 2016**

(54) **SLIDE LAMP**

(71) Applicant: **BOX CLEVER LLC**, San Francisco, CA (US)

(72) Inventors: **Bret Recor**, San Francisco, CA (US);  
**Seth Murray**, Piedmont, CA (US);  
**Matthew Swinton**, San Francisco, CA (US);  
**Hsiao-wei Chang**, Tainan (TW);  
**Wen-pin Tsai**, Tainan (TW)

(73) Assignee: **BOX CLEVER, LLC**, San Francisco, CA (US)

(\*\*) Term: **14 Years**

(21) Appl. No.: **29/497,174**

(22) Filed: **Jul. 22, 2014**

(51) **LOC (10) Cl.** ..... **26-03**

(52) **U.S. Cl.**  
USPC ..... **D26/63**

(58) **Field of Classification Search**  
USPC ..... D26/1, 24, 63, 61, 93, 106, 107  
CPC ..... F21S 6/00; F21S 6/002; F21V 21/14;  
F21V 21/00; F21V 21/06; F21V 21/30;  
F21W 2131/30

See application file for complete search history.

(56) **References Cited**

U.S. PATENT DOCUMENTS

D619,746 S *	7/2010	Huang	.....	D26/63
D654,199 S *	2/2012	Xie	.....	D26/63
D734,529 S *	7/2015	Krenkler	.....	D26/107
D739,976 S *	9/2015	Wu	.....	D26/63

\* cited by examiner

*Primary Examiner* — Brian N Vinson

(74) *Attorney, Agent, or Firm* — Su IP Consulting

(57) **CLAIM**

The ornamental design for a slide lamp, as shown and described.

**DESCRIPTION**

FIG. 1 is a top perspective view of a slide lamp showing our new design;

FIG. 2 is a bottom perspective view thereof;

FIG. 3 is a front view thereof;

FIG. 4 is a rear view thereof;

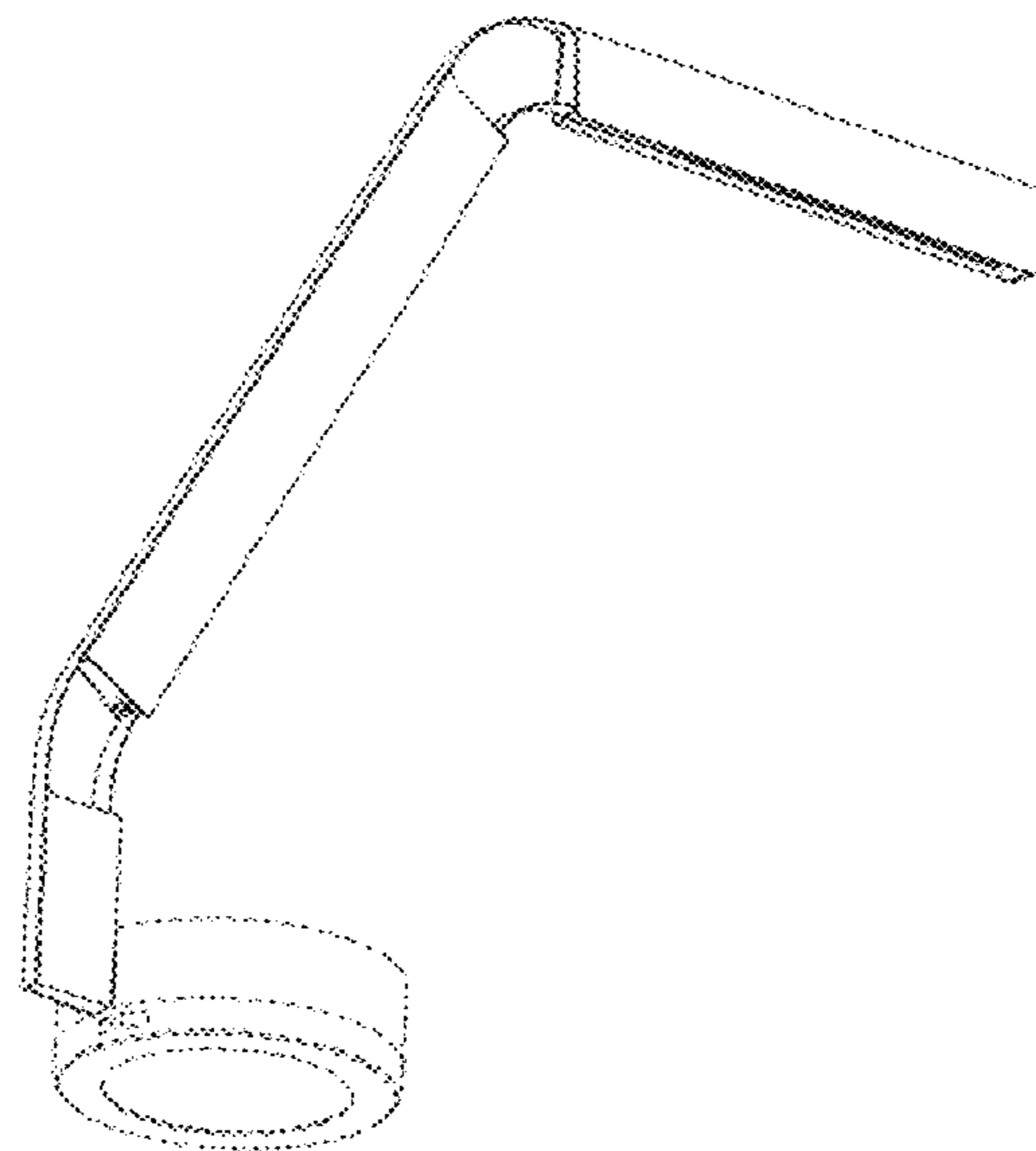
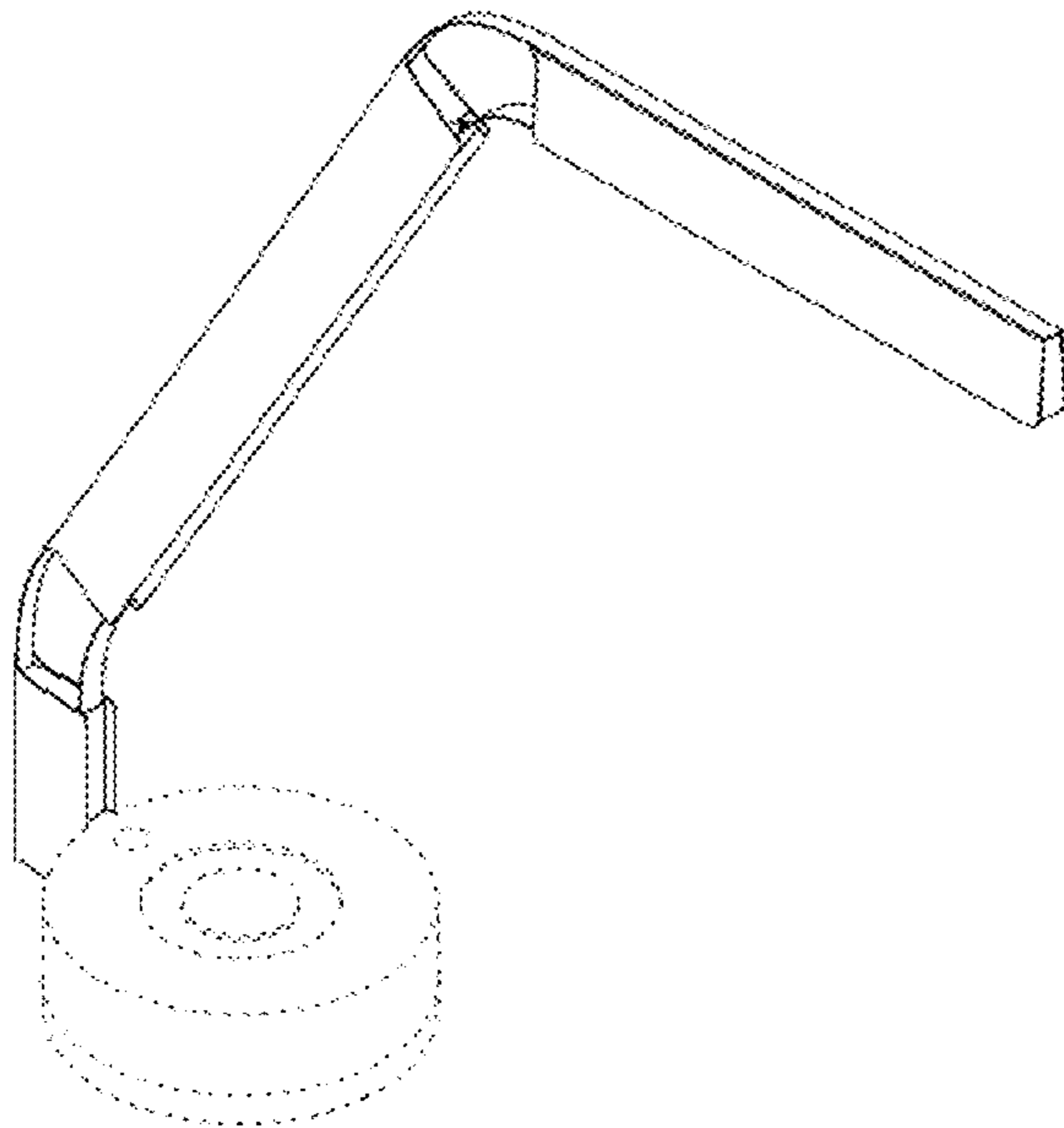
FIG. 5 is a left side view thereof, the right side being a mirror image;

FIG. 6 is a top view thereof; and,

FIG. 7 is a bottom view thereof.

The broken line disclosure represents portions of the lamp which form no part of the claimed design.

**1 Claim, 5 Drawing Sheets**



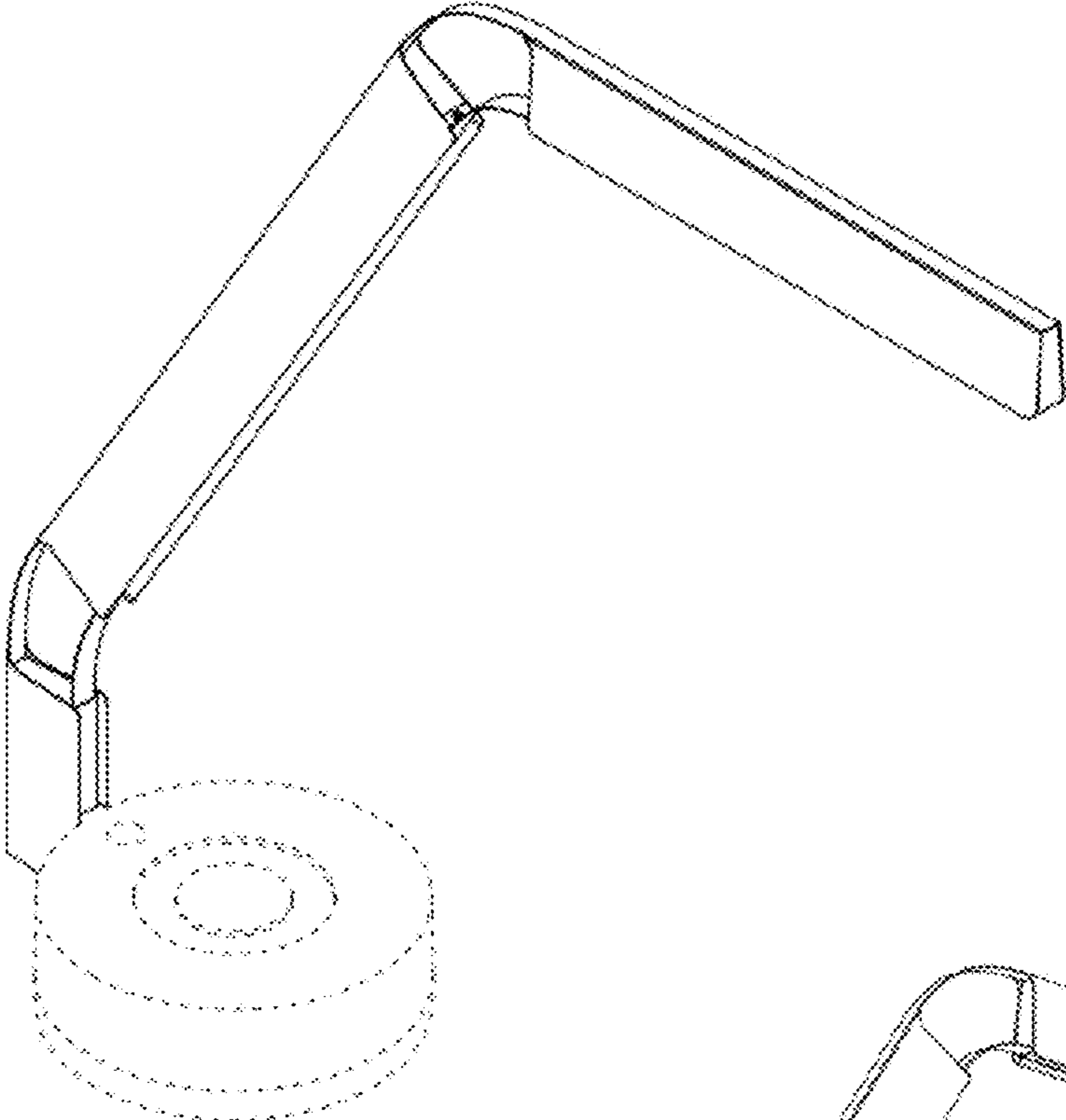


FIG. 1

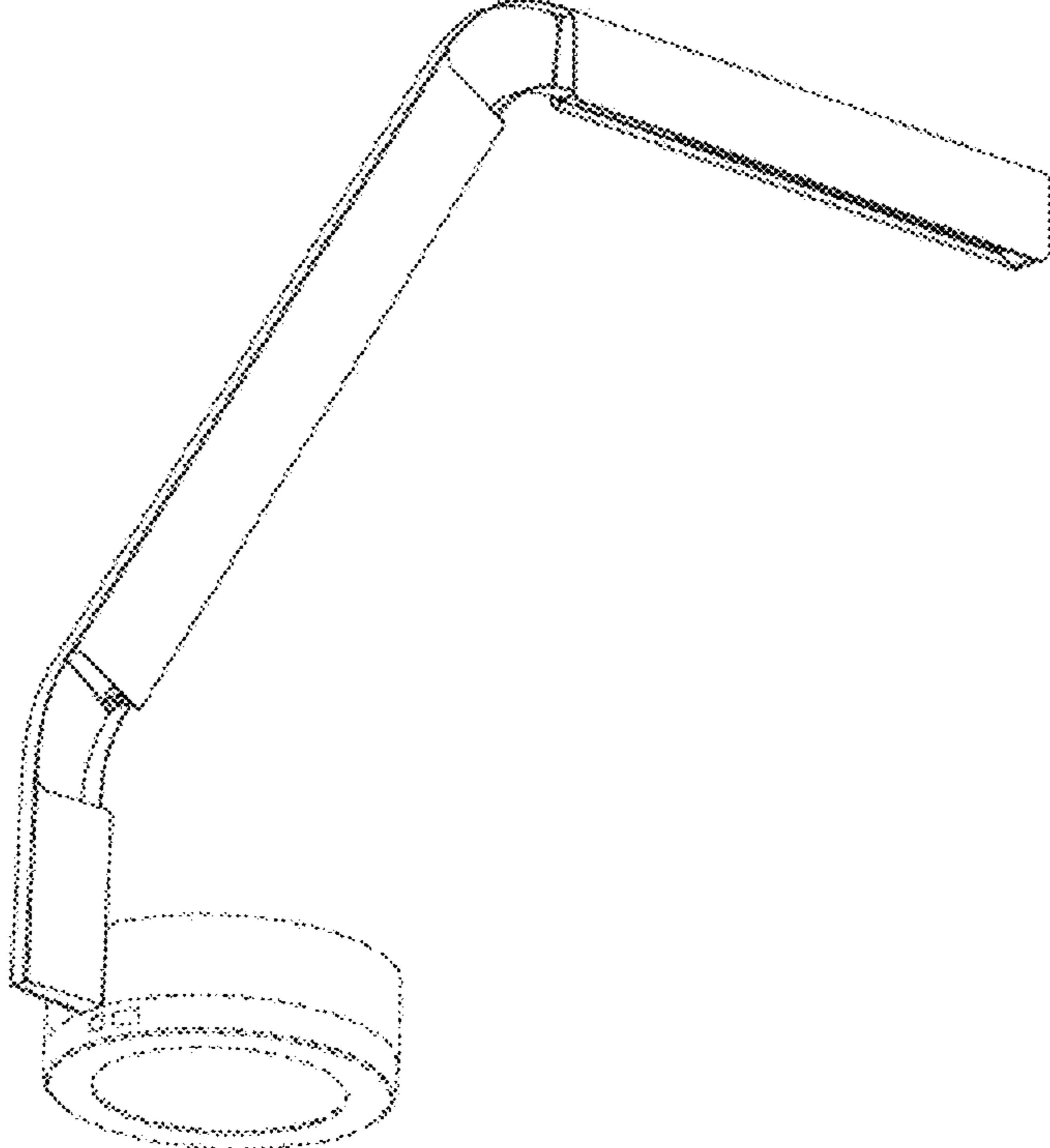


FIG. 2

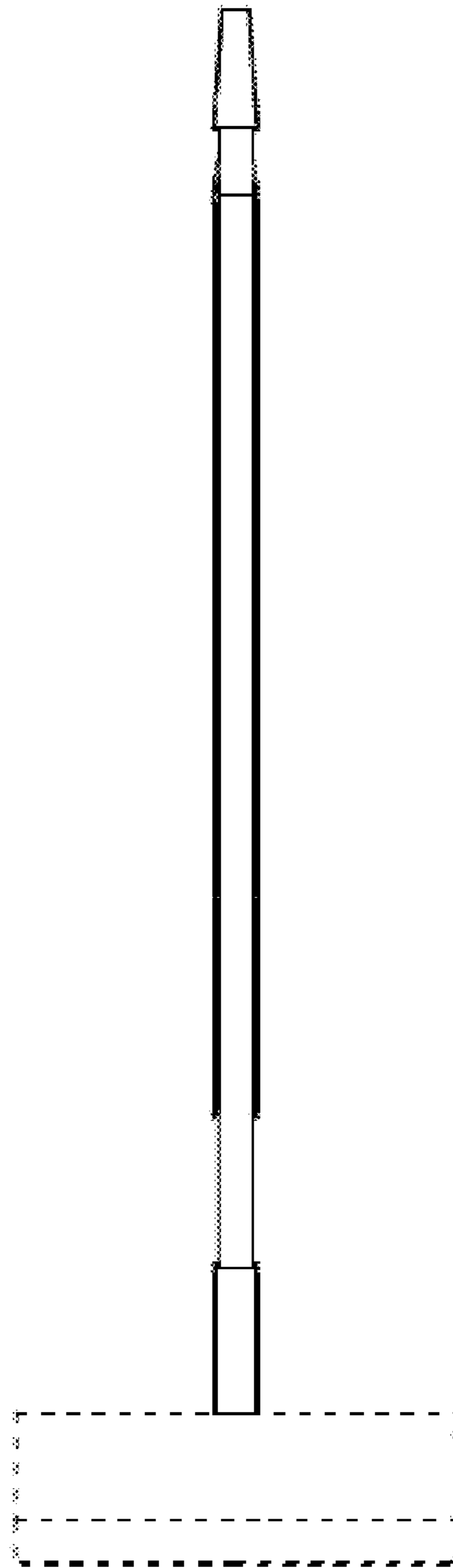


FIG. 3

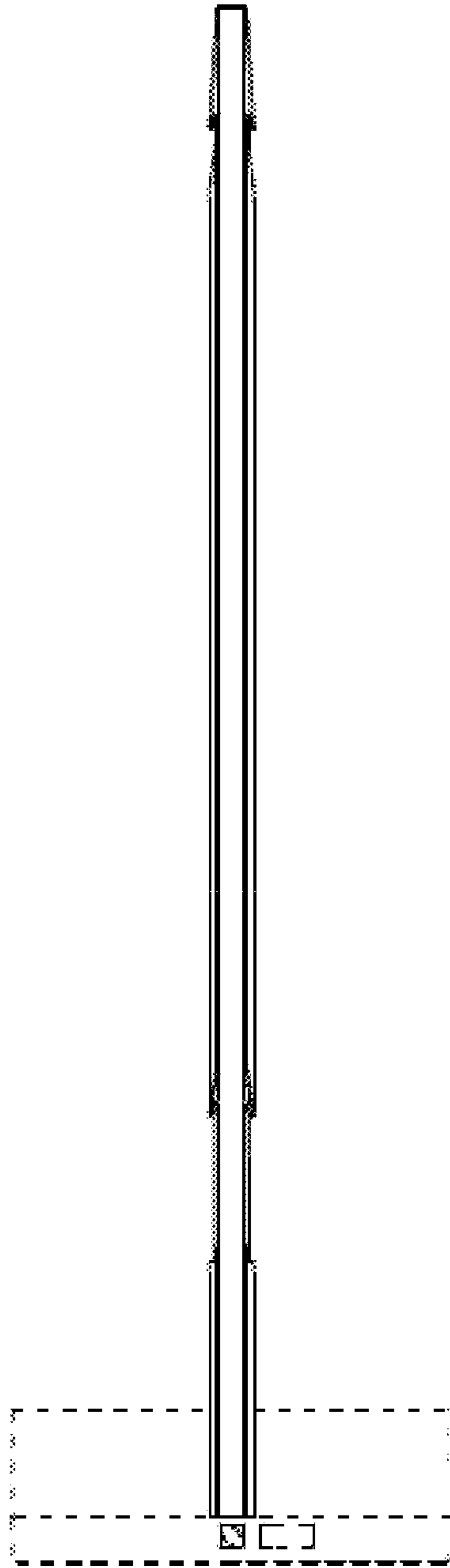


FIG. 4

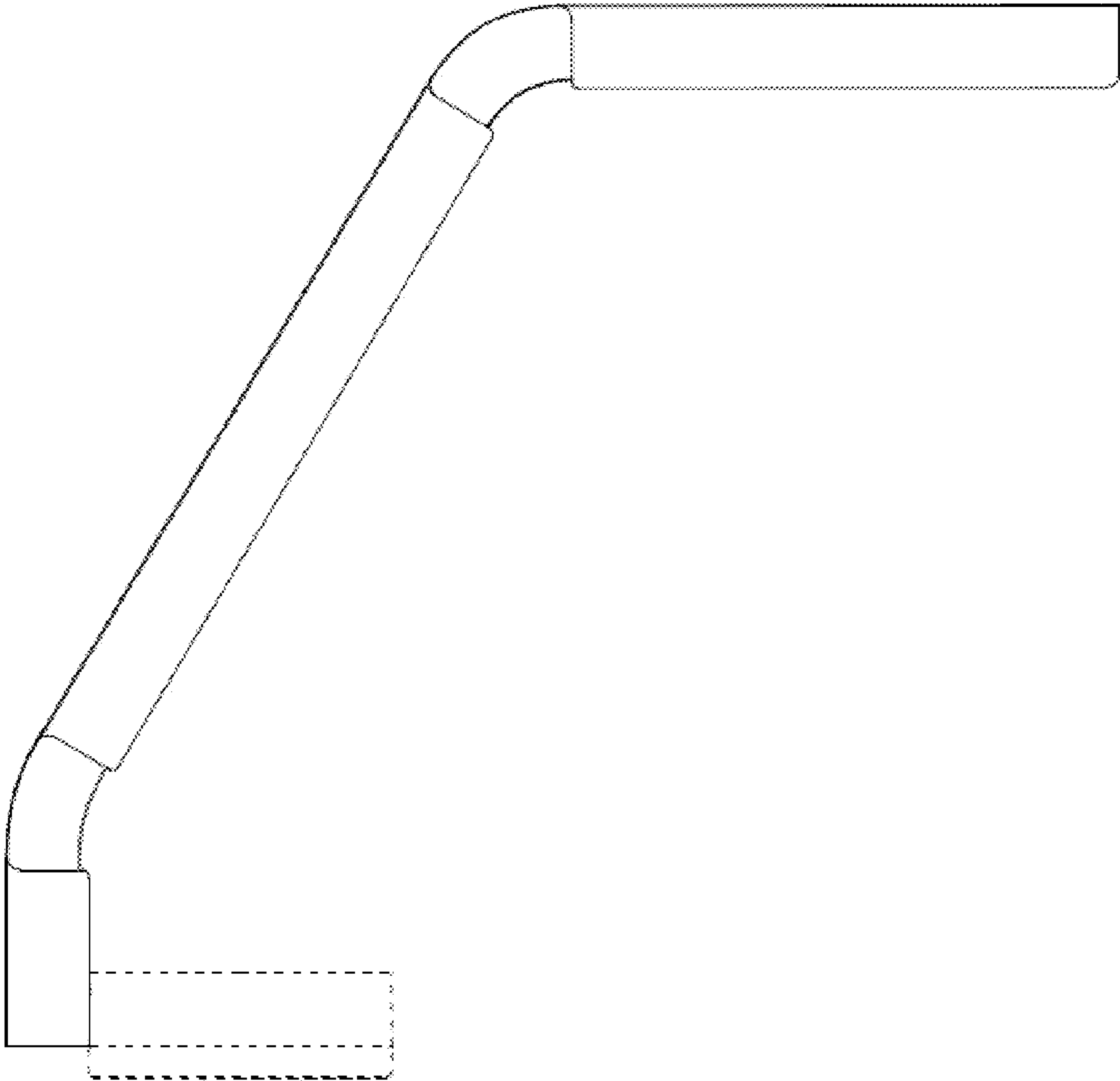


FIG. 5

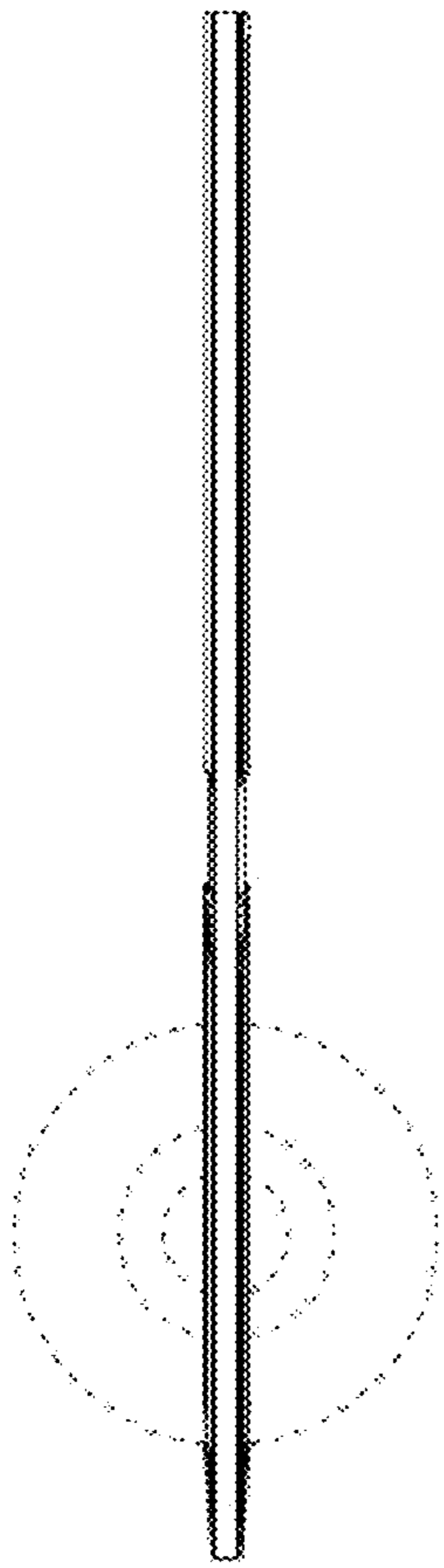


FIG. 6

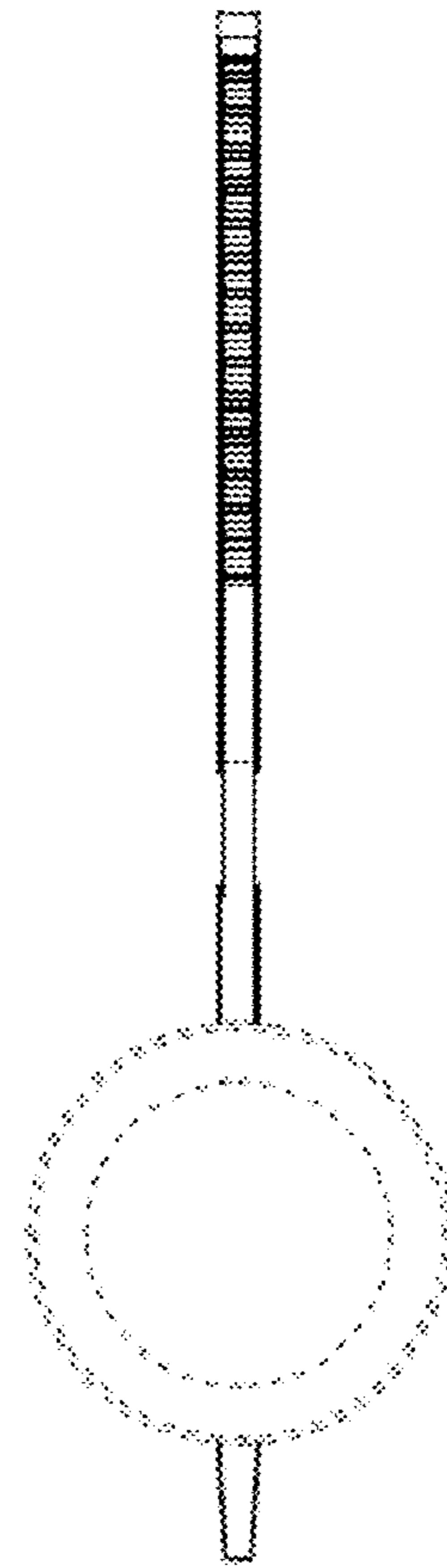


FIG. 7