



US00D754900S

(12) **United States Design Patent**
Mumma et al.

(10) **Patent No.:** **US D754,900 S**
(45) **Date of Patent:** **** Apr. 26, 2016**

(54) **PORTABLE WORK LIGHT**

(56) **References Cited**

(71) Applicants: **Richard Mumma**, Southlake, TX (US);
Yale Spitzer, Fort Worth, TX (US)

(72) Inventors: **Richard Mumma**, Southlake, TX (US);
Yale Spitzer, Fort Worth, TX (US)

(73) Assignee: **International Development LLC**,
Roanoke, TX (US)

(**) Term: **14 Years**

(21) Appl. No.: **29/499,926**

(22) Filed: **Aug. 20, 2014**

(51) **LOC (10) Cl.** **26-05**

(52) **U.S. Cl.**
USPC **D26/60; D26/61**

(58) **Field of Classification Search**
USPC D26/1, 24, 60, 61, 63, 65, 85, 92, 93,
D26/104, 106
CPC F21V 21/14; F21V 15/01; F21V 14/02;
F21V 21/30; F21V 21/00; F21V 14/00;
F21S 8/00; F21S 8/003; F21S 8/043; F21Y
2105/001

See application file for complete search history.

U.S. PATENT DOCUMENTS

D291,360 S *	8/1987	De Vos	D26/63
D375,376 S *	11/1996	Shen	D26/63
D461,016 S *	7/2002	Schreder	D26/24
D462,802 S *	9/2002	Kovacik	D26/63
D505,220 S *	5/2005	Stekelenburg	D26/61
D641,917 S *	7/2011	Toratani	D26/93
D713,983 S *	9/2014	Yang	D26/63
D735,387 S *	7/2015	Bao	D26/63

* cited by examiner

Primary Examiner — Brian N Vinson

(74) *Attorney, Agent, or Firm* — Brian Harris

(57) **CLAIM**

The ornamental design for a portable work light, as shown and described.

DESCRIPTION

FIG. 1 is a front perspective view of a portable work light showing our new design;

FIG. 2 is a front view thereof;

FIG. 3 is a back view thereof;

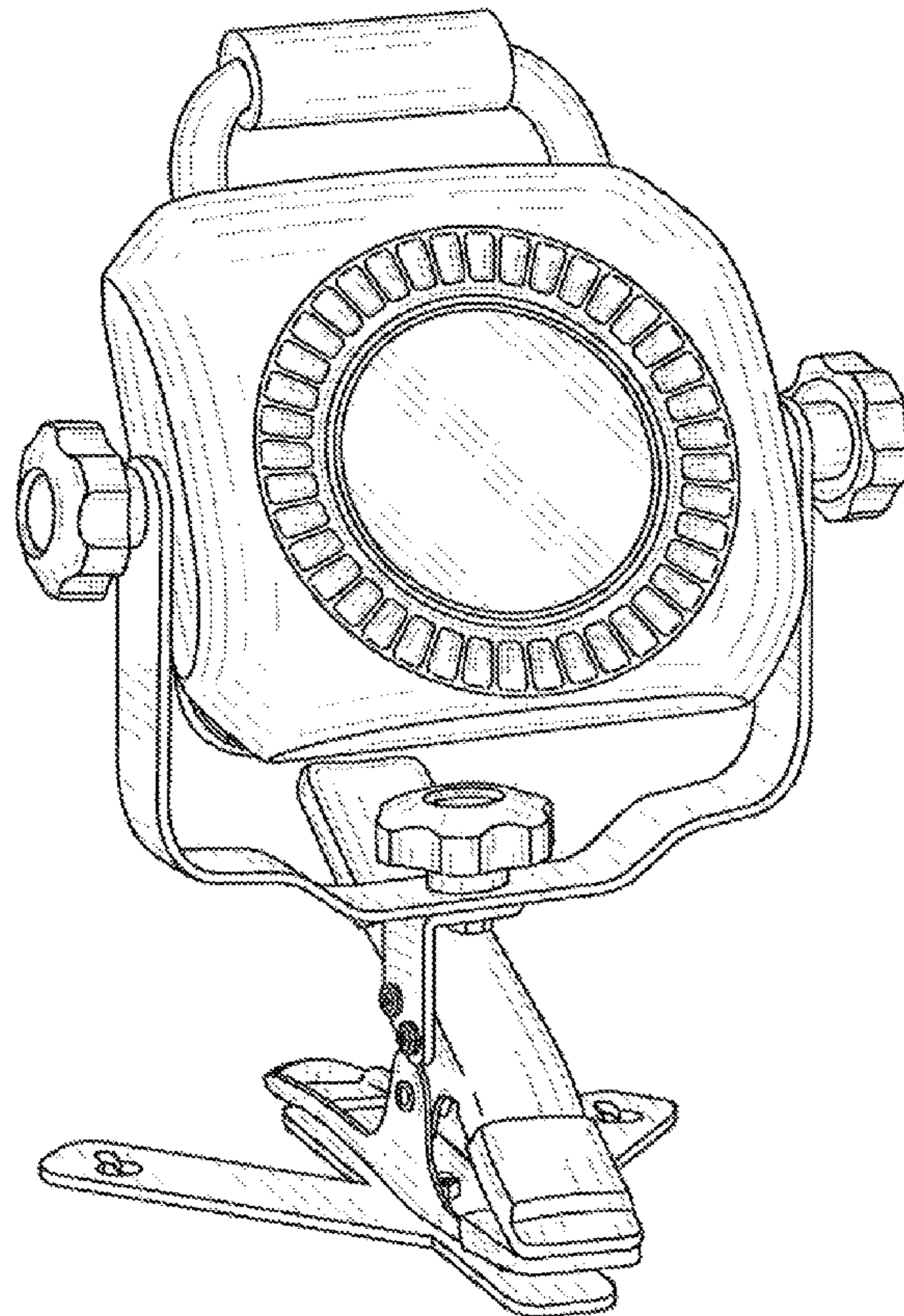
FIG. 4 is a left side view thereof;

FIG. 5 is a right side view thereof;

FIG. 6 is a top view thereof; and,

FIG. 7 is a bottom view thereof.

1 Claim, 5 Drawing Sheets



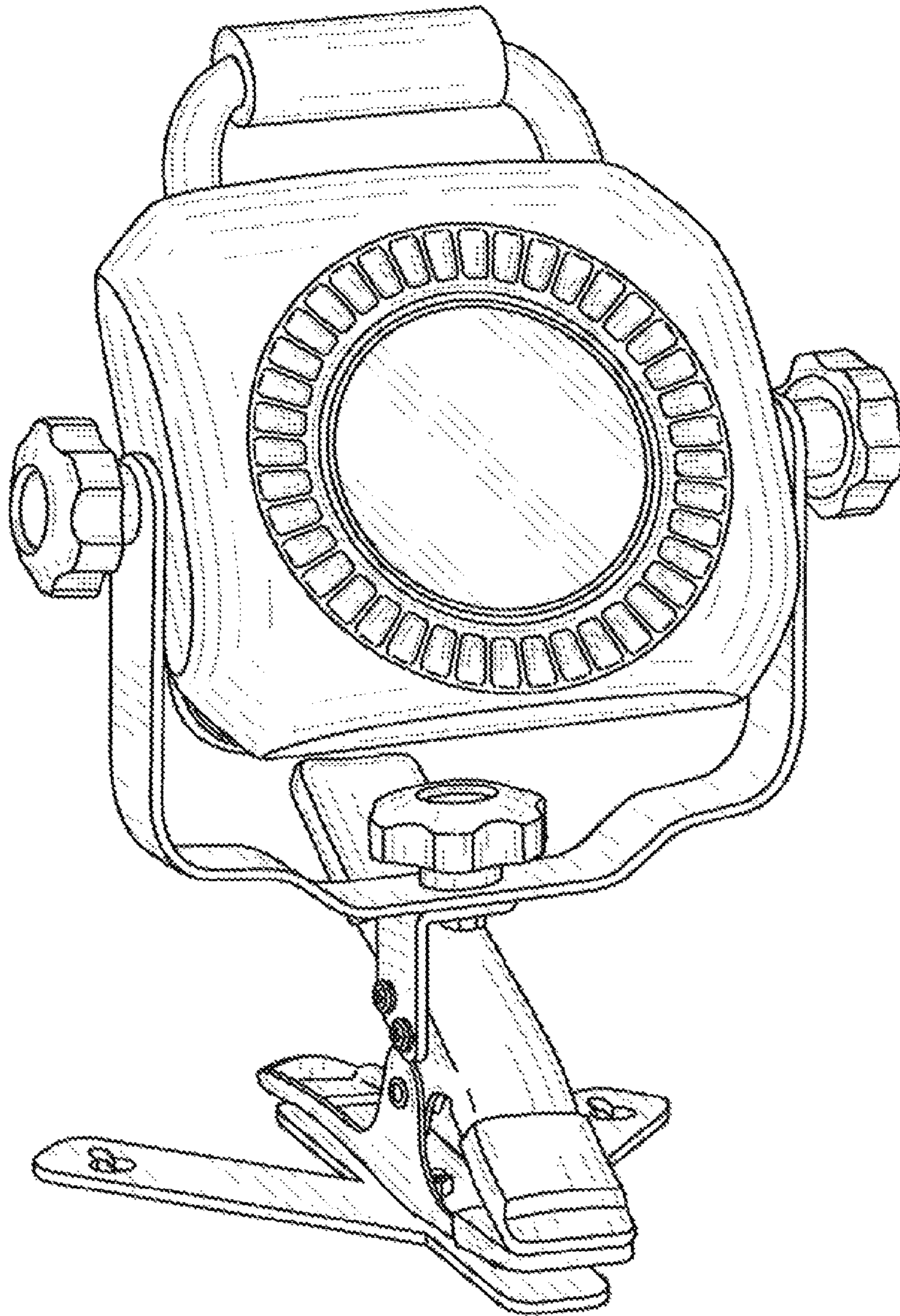


FIG. 1

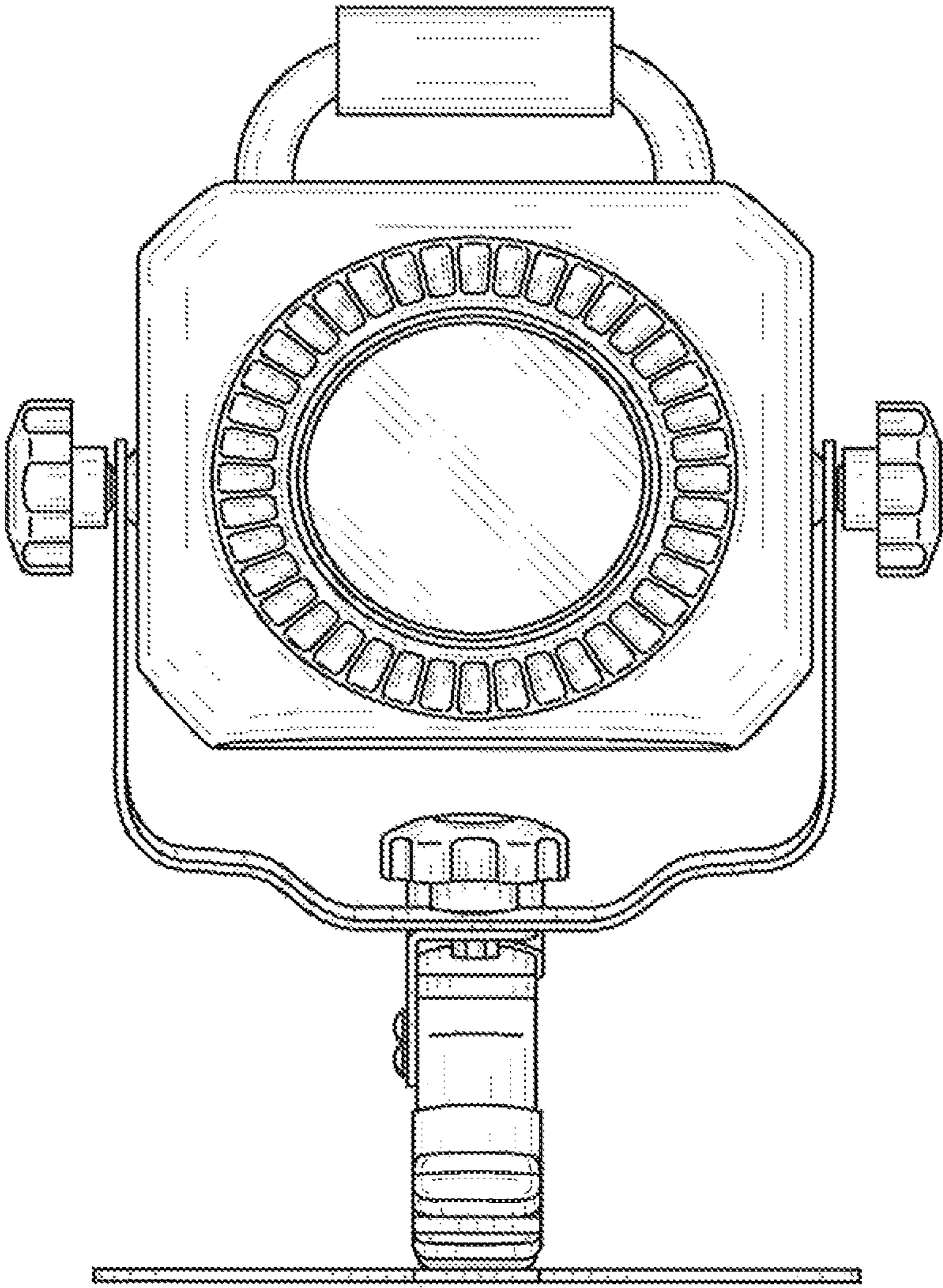


FIG. 2

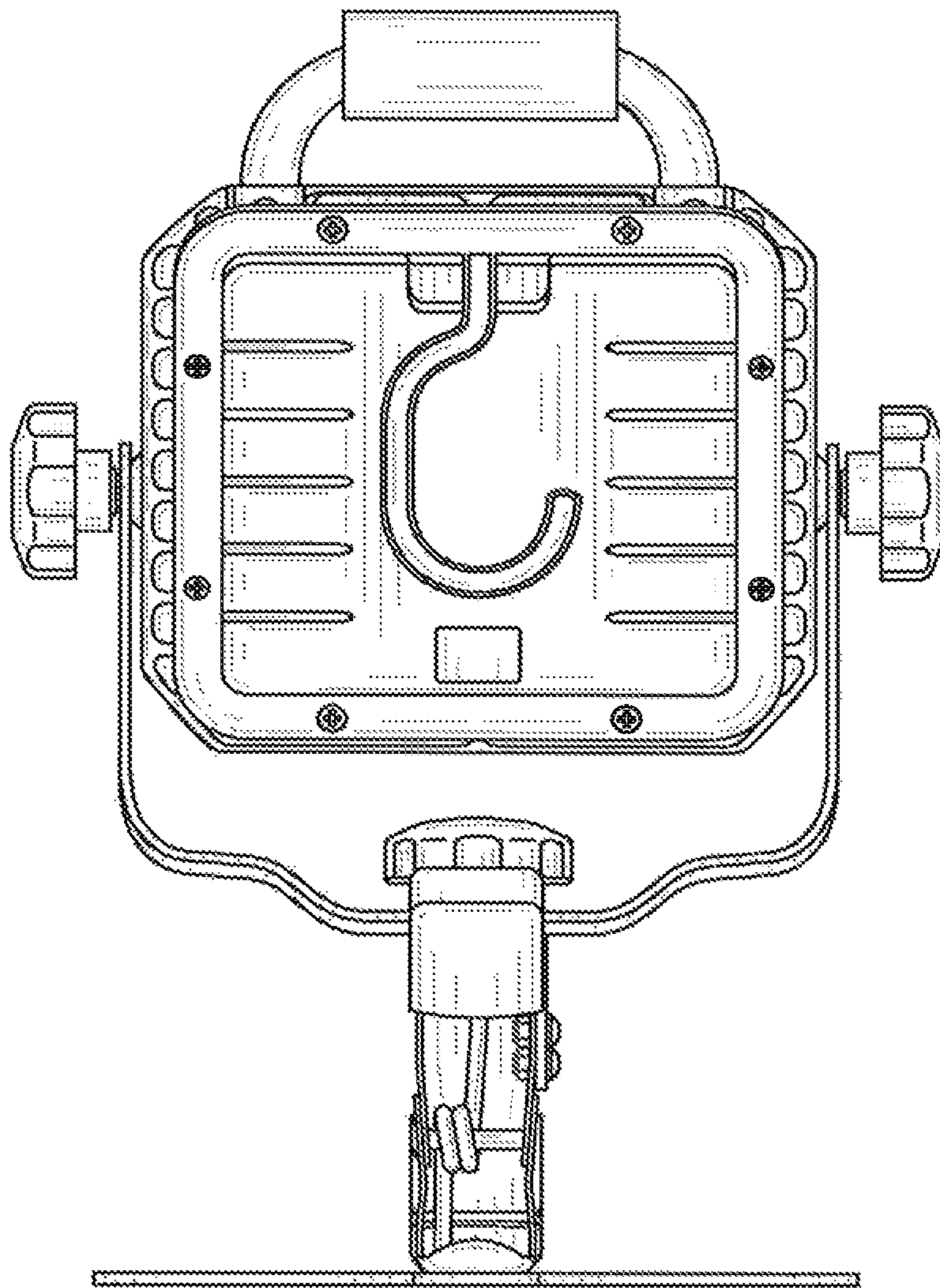


FIG. 3

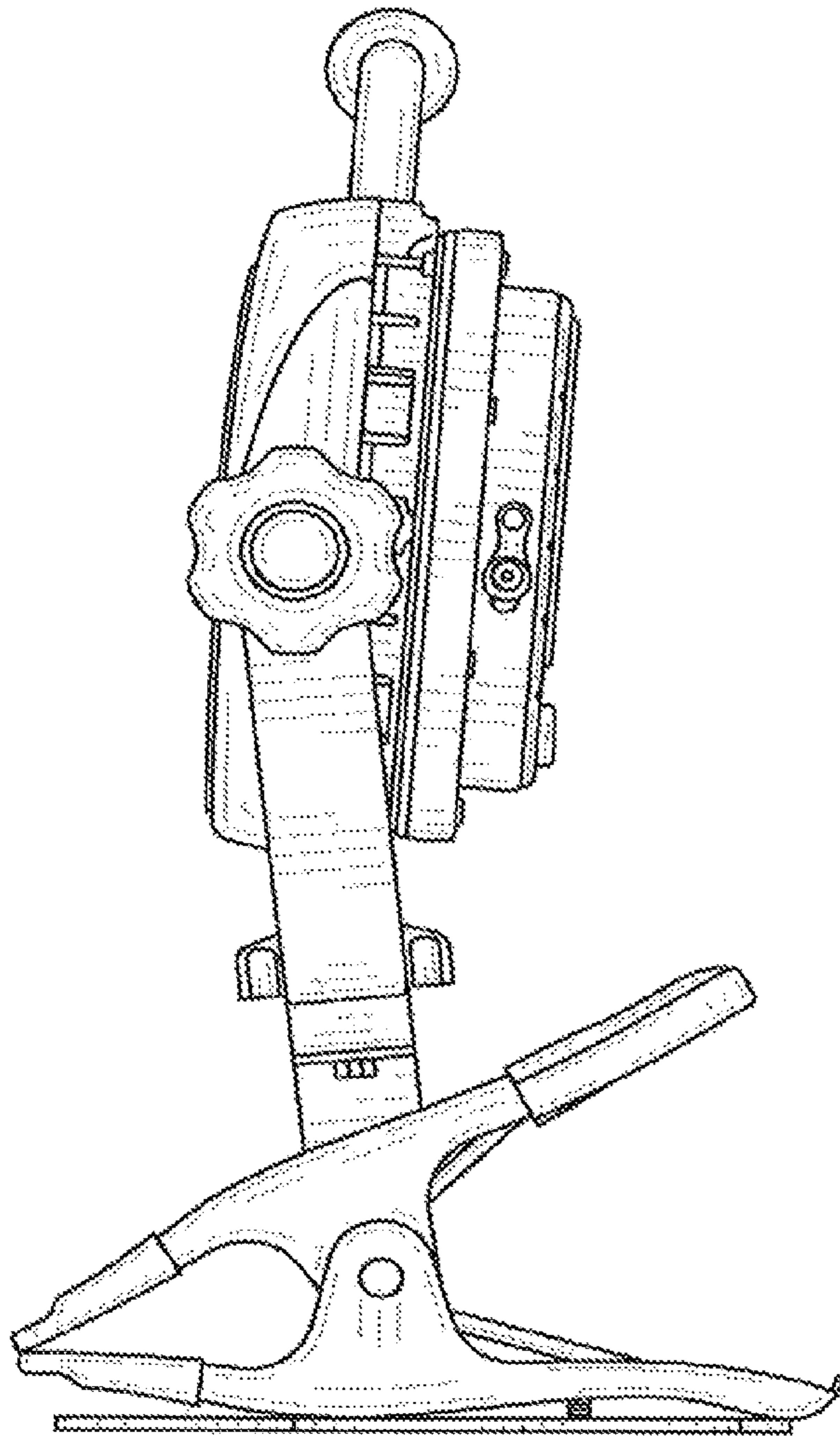


FIG. 4

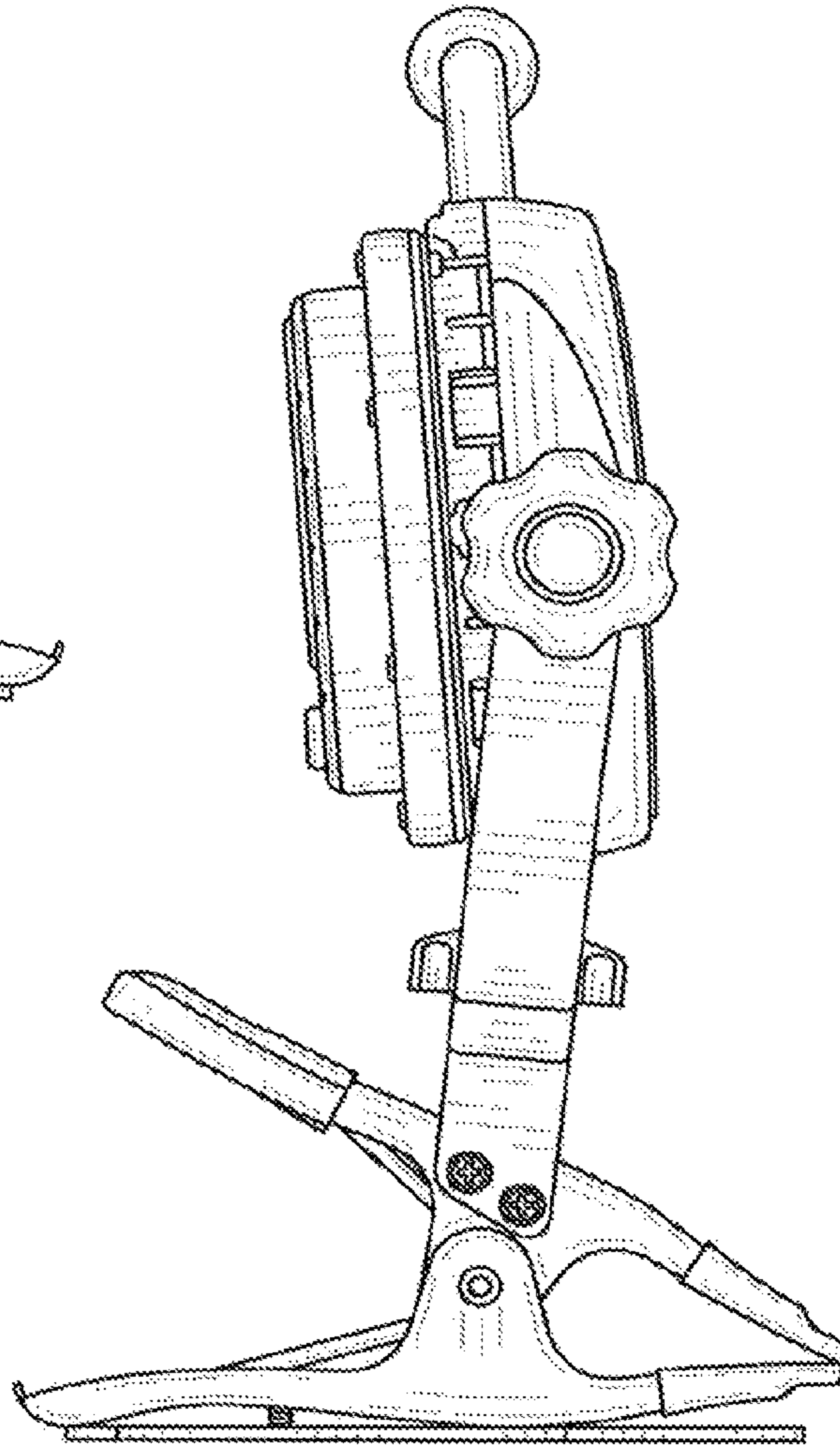


FIG. 5

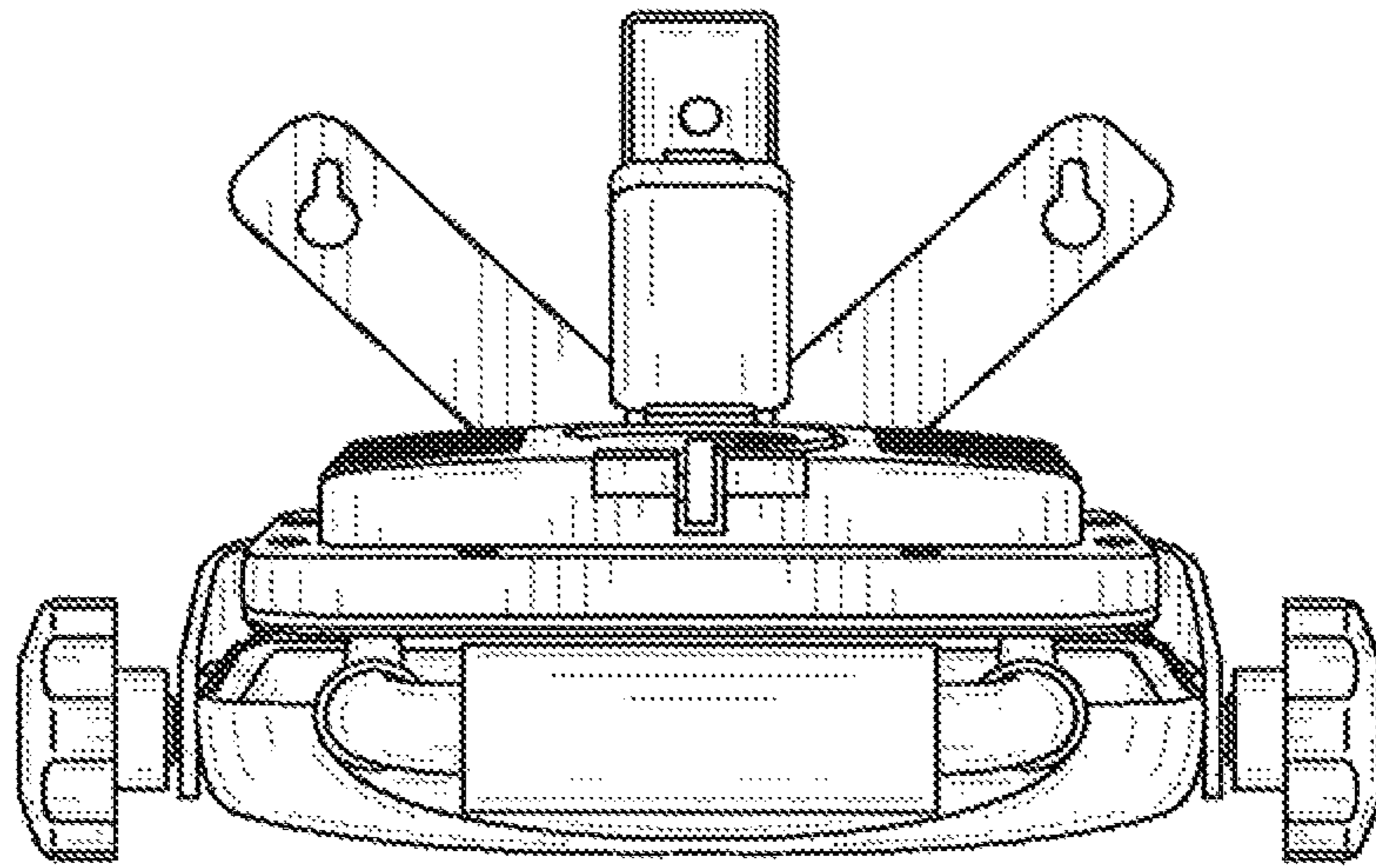


FIG. 6

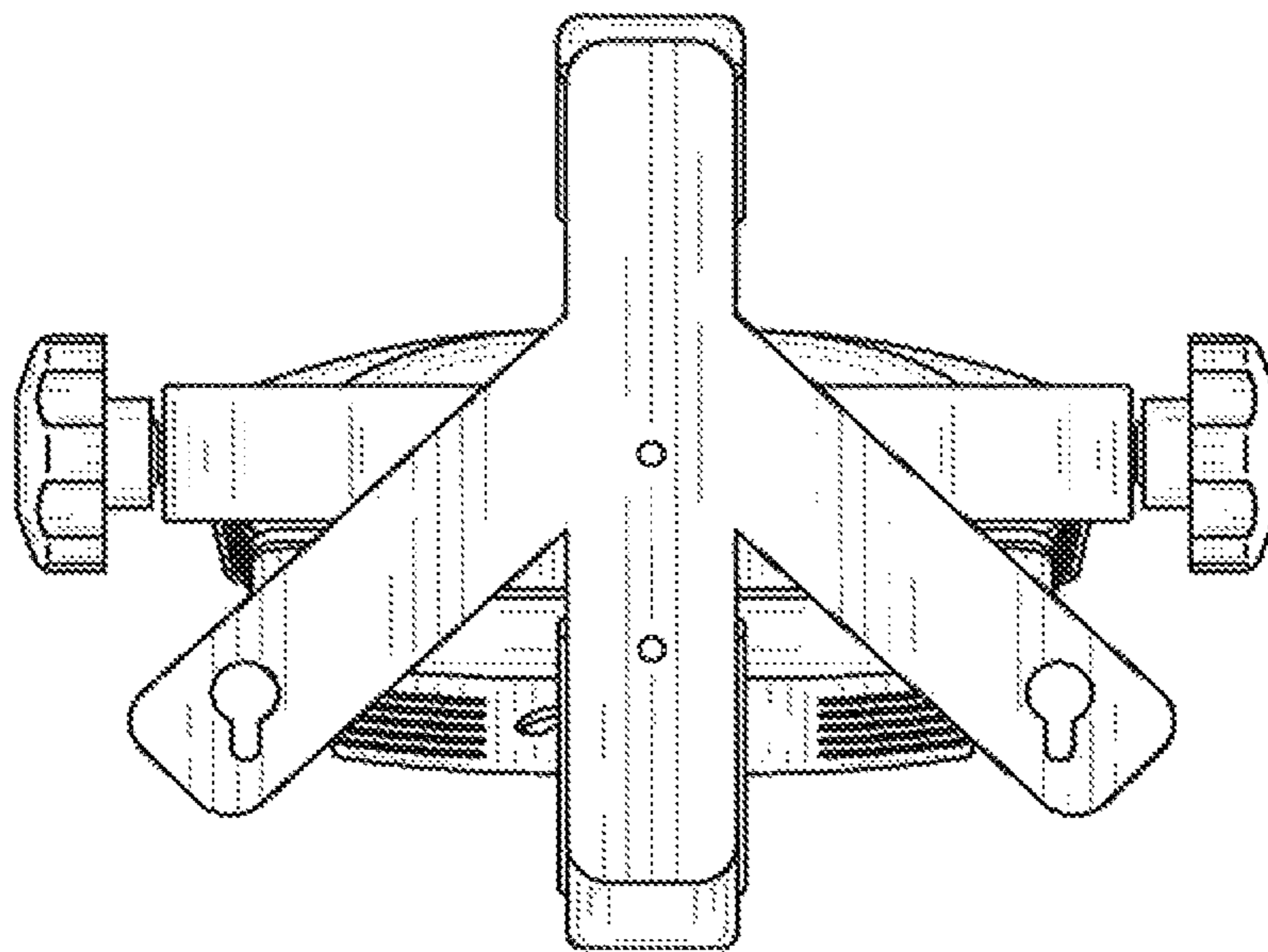


FIG. 7