



US00D754899S

(12) **United States Design Patent**
Cooper

(10) **Patent No.:** **US D754,899 S**
(45) **Date of Patent:** **** Apr. 26, 2016**

- (54) **PENLIGHT**
- (71) Applicant: **Wilmar Corporation**, Renton, WA (US)
- (72) Inventor: **David James Cooper**, Renton, WA (US)
- (73) Assignee: **Wilmar Corporation**, Renton, WA (US)
- (**) Term: **14 Years**
- (21) Appl. No.: **29/436,816**
- (22) Filed: **Nov. 9, 2012**
- (51) **LOC (10) Cl.** **26-02**
- (52) **U.S. Cl.**
USPC **D26/49**; D26/44
- (58) **Field of Classification Search**
USPC D26/37, 49, 46, 51; 362/157, 158, 183,
362/184, 194-196, 200-208, 253
CPC F21V 33/00; F21V 14/025; F21V 21/406;
F21Y 2101/02; F21L 17/00; F21L 13/08
See application file for complete search history.

- D508,748 S 8/2005 Man
- D518,213 S 3/2006 Ping
- 7,033,041 B2 4/2006 Parker et al.
- D521,666 S 5/2006 Chean
- D521,667 S 5/2006 Chean
- D525,732 S 7/2006 Shiu
- 7,229,189 B2 6/2007 Parker et al.

(Continued)

FOREIGN PATENT DOCUMENTS

WO WO/2007/118345 10/2007

Primary Examiner — Ian Simmons

Assistant Examiner — Carissa C Fitts

(74) *Attorney, Agent, or Firm* — Baumgartner Patent Law;
Marc Baumgartner

(57) **CLAIM**

The ornamental design for a penlight, as shown and described.

DESCRIPTION

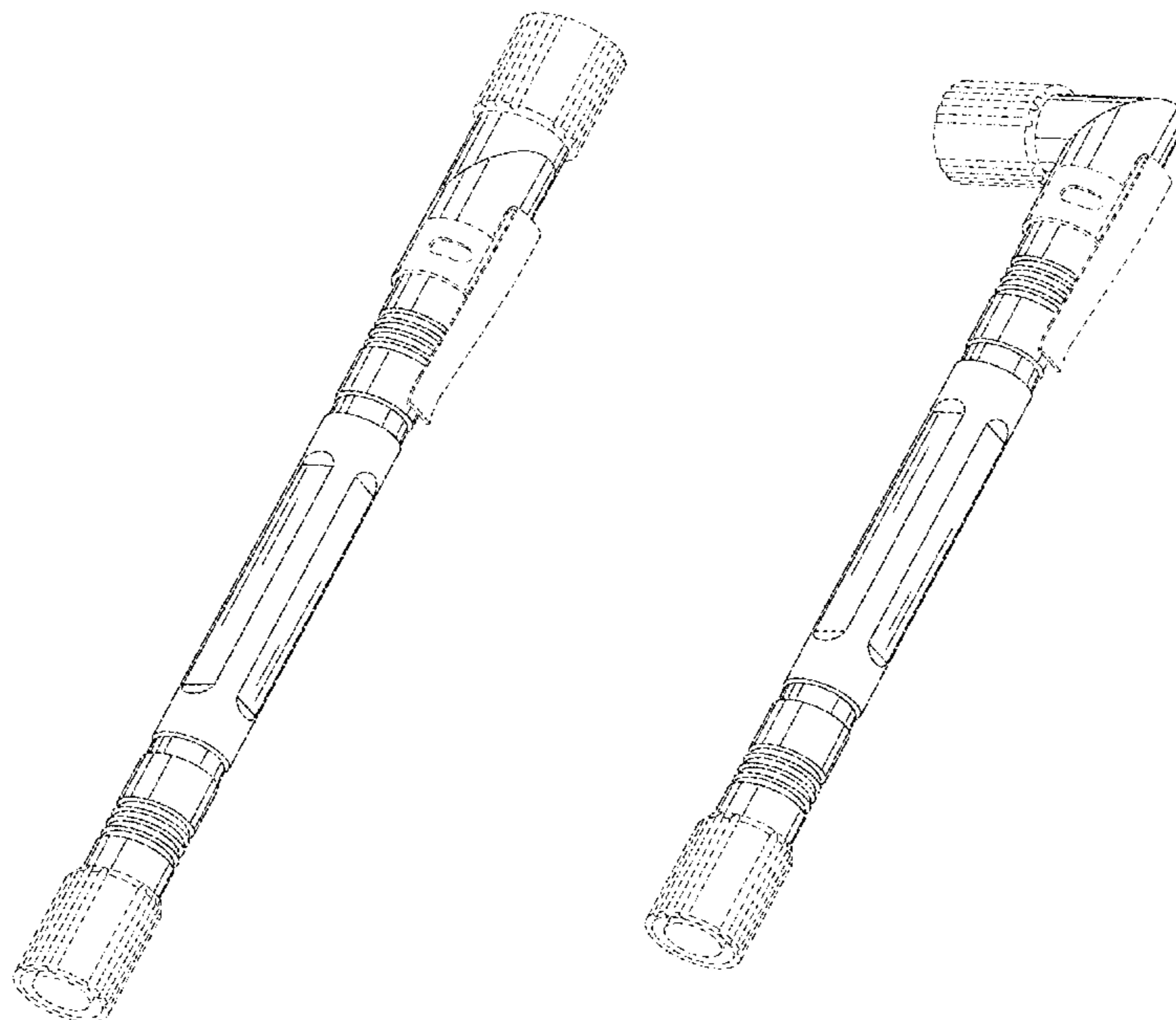
FIG. 1 is a front perspective view of a first embodiment of a penlight embodying my new design;
 FIG. 2 is a side view of the penlight of FIG. 1;
 FIG. 3 is a top perspective view of the penlight of FIG. 1;
 FIG. 4 is a top view of the penlight of FIG. 1;
 FIG. 5 is a bottom view of the penlight of FIG. 1;
 FIG. 6 is a front perspective view of a second embodiment of a penlight embodying my new design;
 FIG. 7 is a side view of the penlight of FIG. 6;
 FIG. 8 is a top perspective view of the penlight of FIG. 6;
 FIG. 9 is a top view of the penlight of FIG. 6; and,
 FIG. 10 is a bottom view of the penlight of FIG. 6.
 The broken line showing represents portions of the article not claimed and forms no part of the claimed design.

1 Claim, 10 Drawing Sheets

(56) **References Cited**

U.S. PATENT DOCUMENTS

- 1,820,960 A 9/1931 Champagne
- 5,097,399 A 3/1992 Gammache
- D332,320 S 1/1993 Gammache
- 5,278,739 A 1/1994 Gammache
- D419,704 S * 1/2000 Ting D26/37
- D430,321 S 8/2000 Sharrah
- D443,709 S 6/2001 Chiu
- 6,283,610 B1 9/2001 Alajajian
- D452,024 S 12/2001 Sharrah
- D458,286 S 6/2002 Kung
- D481,147 S 10/2003 Yang
- D495,078 S 8/2004 Galli
- D496,115 S 9/2004 Lin



(56)

References Cited

U.S. PATENT DOCUMENTS

D548,837 S	8/2007	Oikawa		D622,428 S *	8/2010	Crawford et al.	D26/37
D548,861 S	8/2007	Chapman		7,871,179 B1	1/2011	Edgar	
D548,863 S	8/2007	Shiu		D649,275 S	11/2011	Crawford et al.	
D557,838 S	12/2007	Shiu		D655,027 S *	2/2012	Milz et al.	D26/49
D557,844 S	12/2007	Shiu		D656,259 S	3/2012	Ku	
D560,297 S	1/2008	Brown et al.		D656,261 S	3/2012	Lee	
D572,656 S	7/2008	Schein		D658,322 S *	4/2012	Wu	D26/37
D578,236 S	10/2008	Dalton		D667,578 S	9/2012	Milz	
7,434,954 B1	10/2008	Edgar		D673,710 S *	1/2013	Eichelberger	D26/62
D591,438 S	4/2009	Hama et al.		D675,659 S *	2/2013	Yip	D16/135
D601,287 S	9/2009	Caniparoli		D676,170 S *	2/2013	Feng et al.	D26/38
D601,737 S	10/2009	Swan		D710,526 S *	8/2014	Lee	D26/49
D603,541 S *	11/2009	Shiu	D26/49	D716,984 S *	11/2014	Inskeep	D26/49
D603,989 S	11/2009	Gardner		D725,303 S *	3/2015	Kunzendorf	D26/49
D612,964 S *	3/2010	Zhang	D26/38	D729,963 S *	5/2015	Windom	D26/49
				2003/0147239 A1 *	8/2003	Galli	F21L 4/027 362/205
				2012/0033415 A1	2/2012	Sharrah et al.	

* cited by examiner

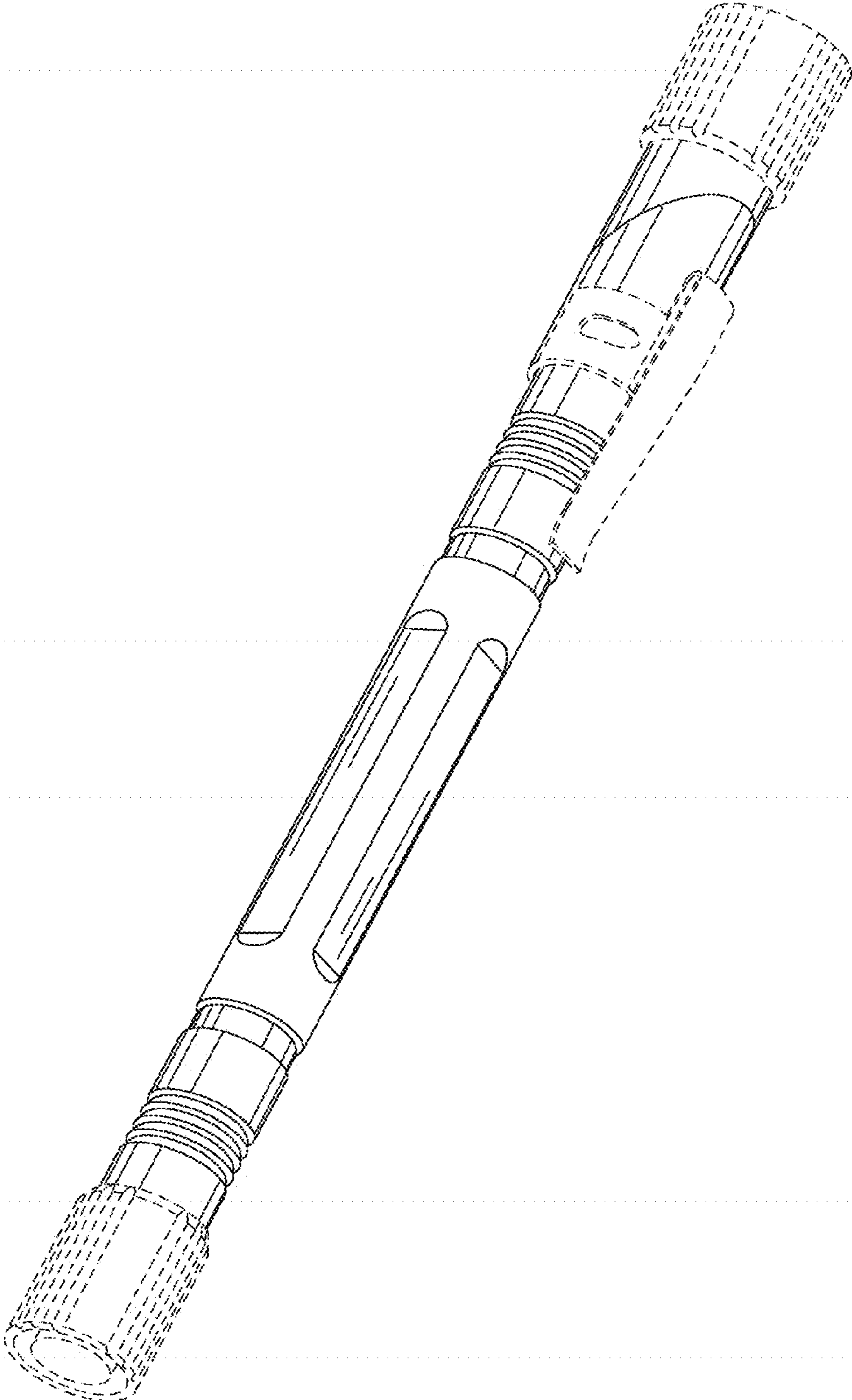


FIG. 1

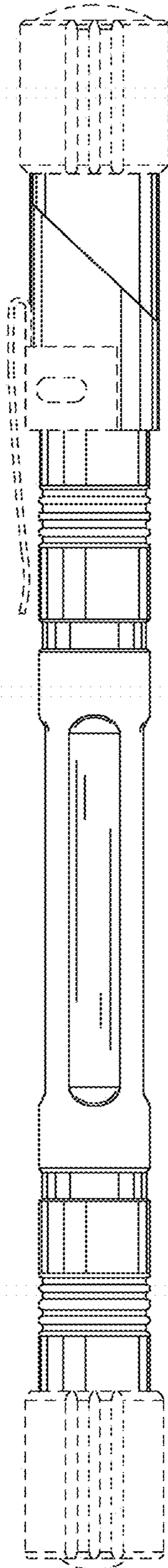


FIG. 2

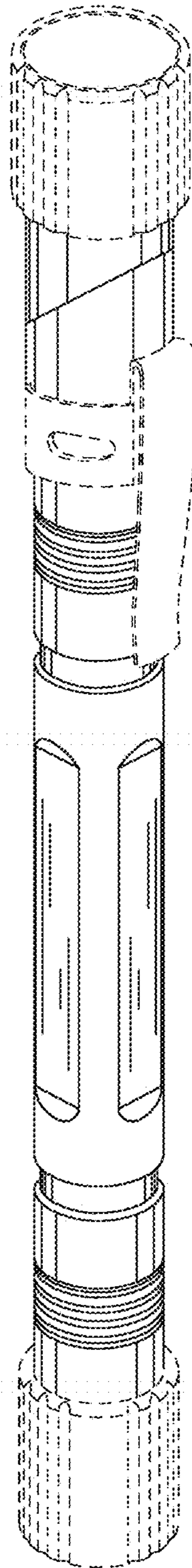


FIG. 3

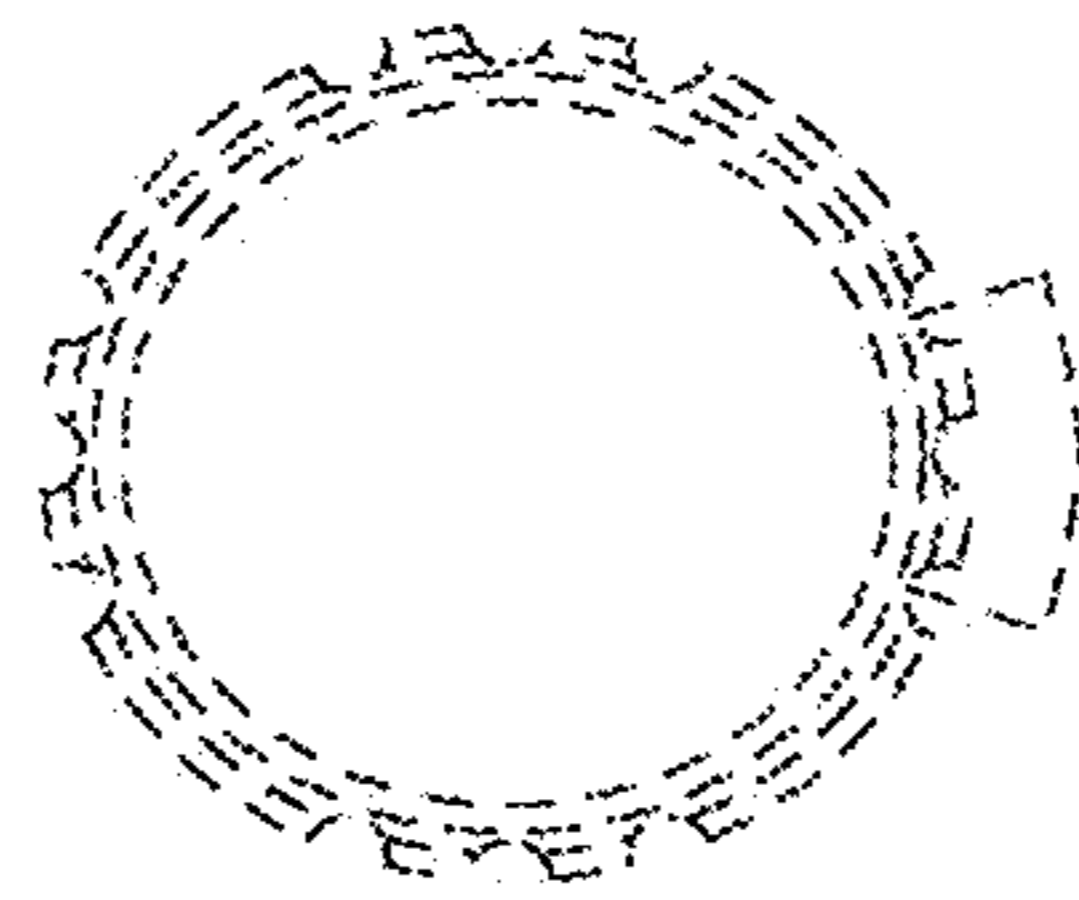


FIG. 4

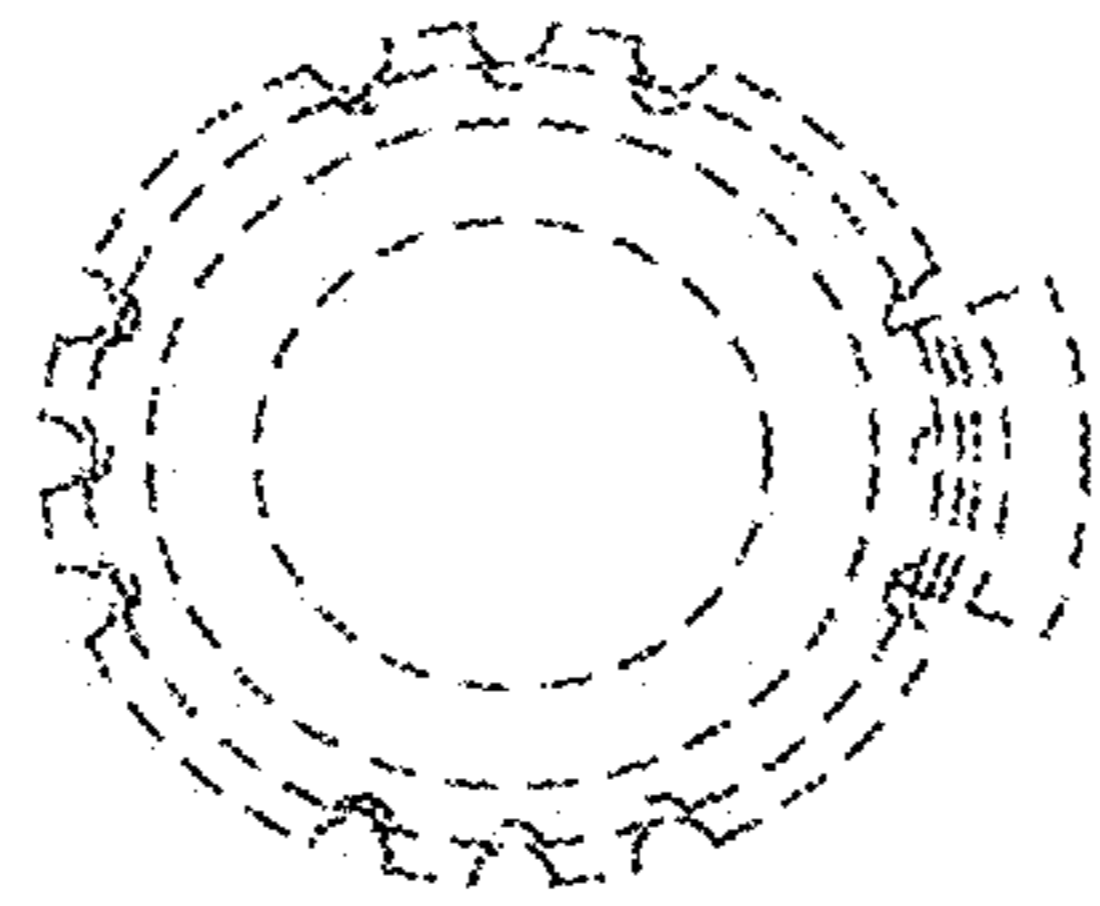


FIG. 5

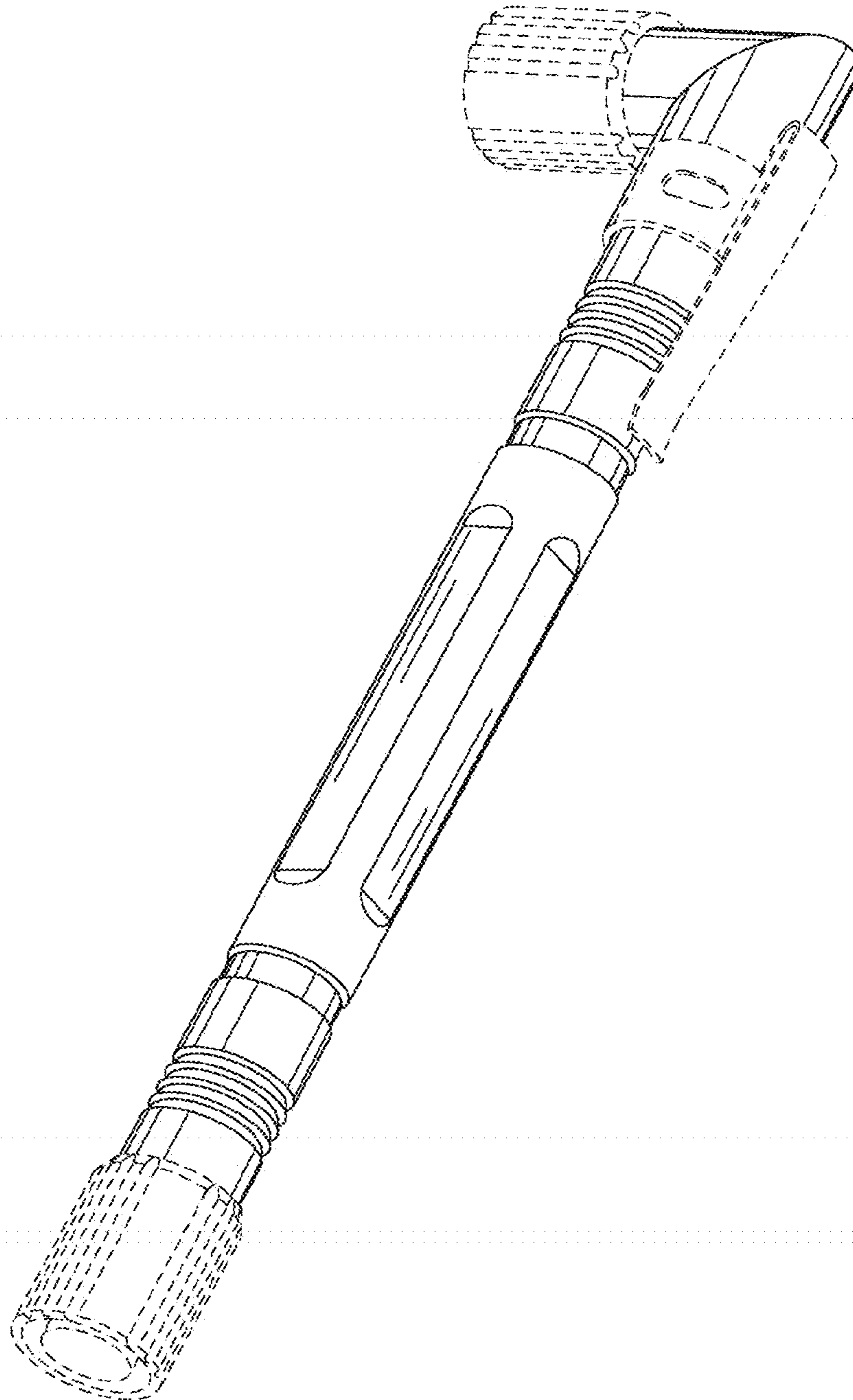


FIG. 6

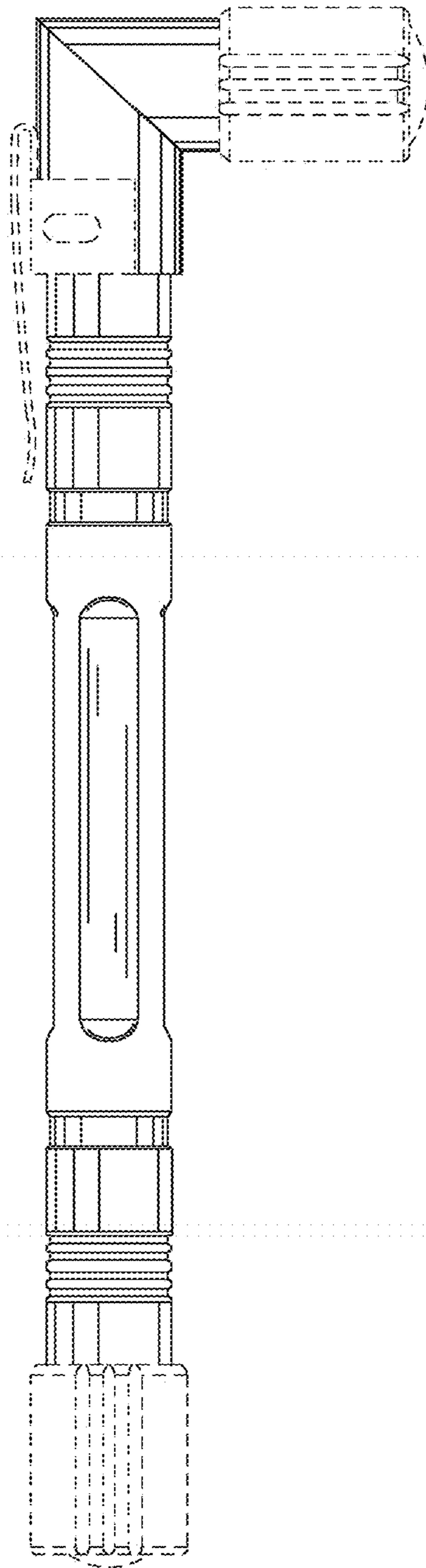


FIG. 7

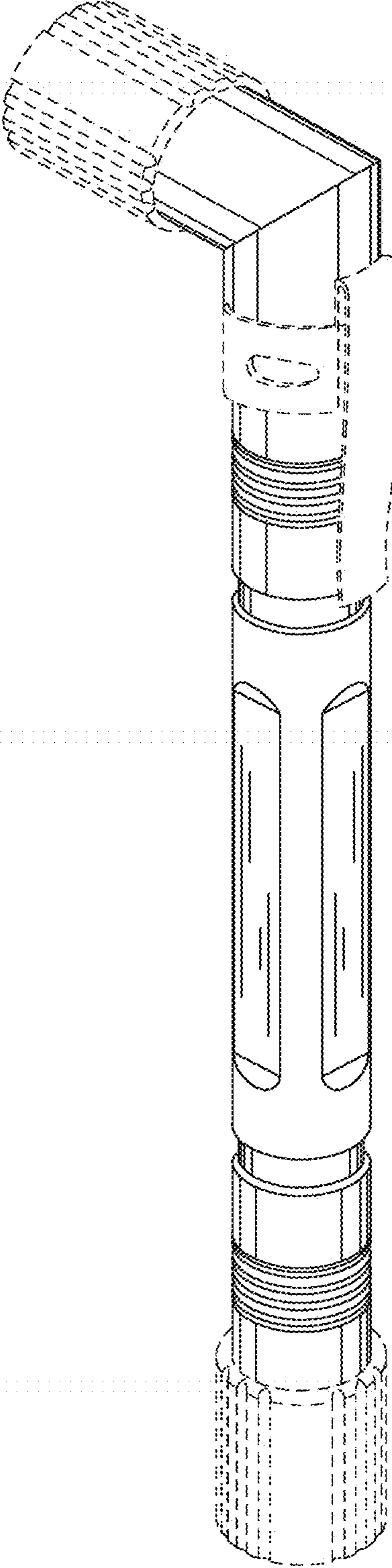


FIG. 8

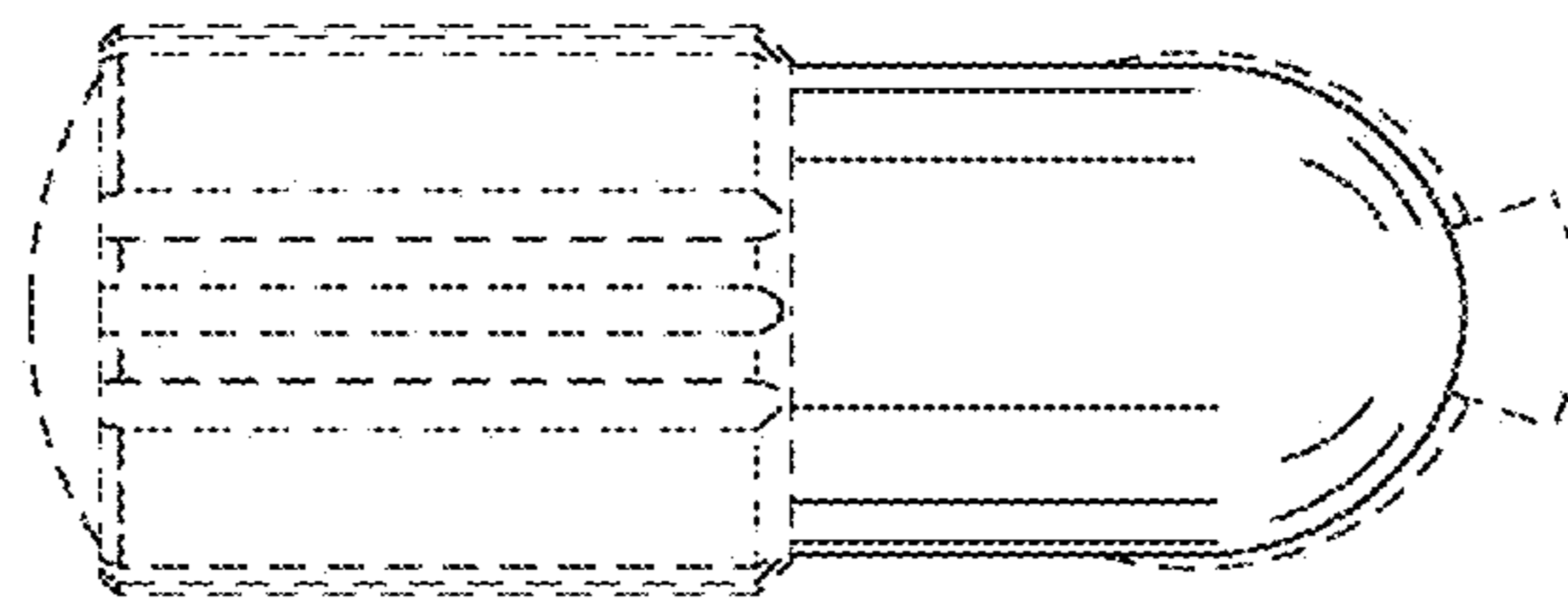


FIG. 9

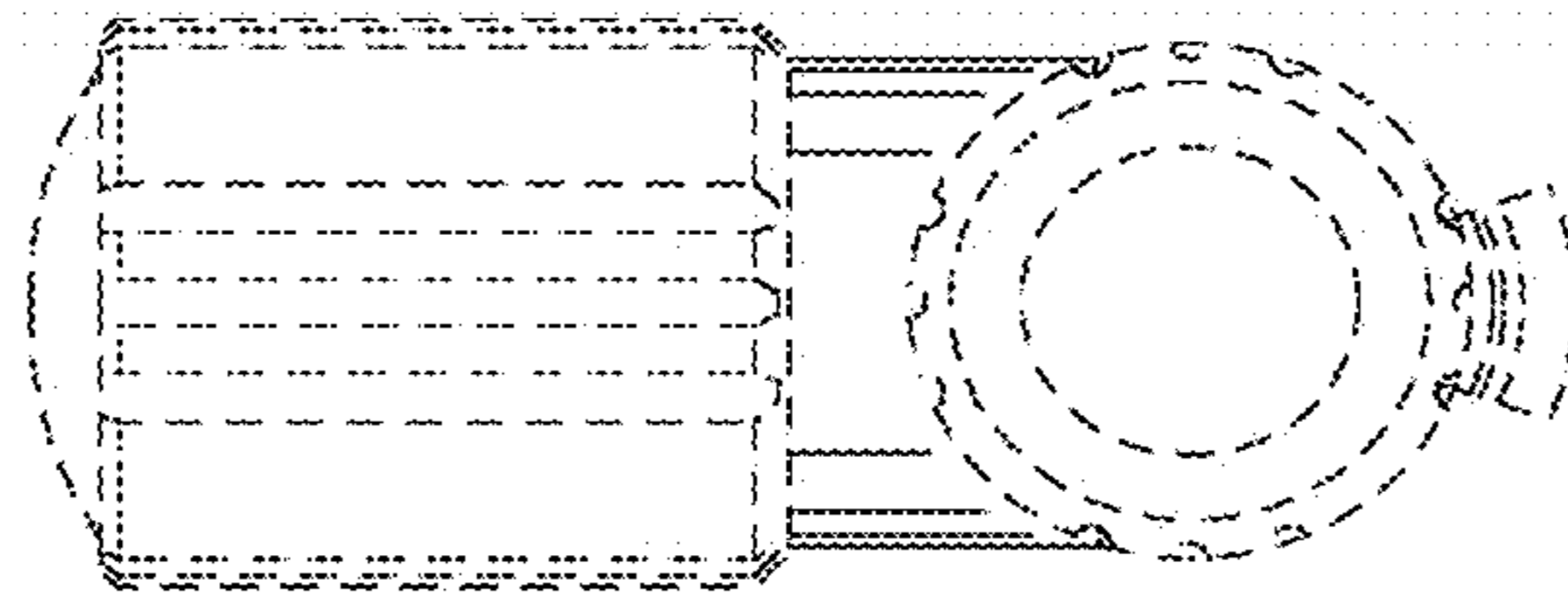


FIG. 10