



US00D754898S

(12) **United States Design Patent**  
**Green**

(10) **Patent No.:** **US D754,898 S**

(45) **Date of Patent:** **\*\* Apr. 26, 2016**

(54) **FLEXIBLE LIGHT**

(71) Applicant: **Homer TLC, Inc.**, Wilmington, DE  
(US)

(72) Inventor: **Adam Green**, Atlanta, GA (US)

(73) Assignee: **HOME DEPOT PRODUCT**  
**AUTHORITY, LLC**, Atlanta, GA (US)

(\*\*) Term: **14 Years**

(21) Appl. No.: **29/500,245**

(22) Filed: **Aug. 22, 2014**

(51) **LOC (10) Cl.** ..... **26-02**

(52) **U.S. Cl.**  
USPC ..... **D26/43**

(58) **Field of Classification Search**  
USPC ..... D26/37-51, 56-60, 67; 362/103-105,  
362/184, 194-196, 202-206; D22/117  
CPC ..... F21L 4/00; F21L 4/005; F21L 4/022;  
F21L 4/025; F21L 4/027; F21L 7/00; F21L  
19/00; F21V 21/084; F21V 21/0085; F21W  
2111/10  
See application file for complete search history.

(56) **References Cited**

**U.S. PATENT DOCUMENTS**

D368,542 S *	4/1996	deBlois	.....	D26/43
D372,319 S *	7/1996	Carbone	.....	D26/43
D373,649 S *	9/1996	Carbone	.....	D26/43
D376,862 S *	12/1996	Carbone	.....	D26/43
D378,858 S *	4/1997	Kaiser	.....	D26/43
D388,524 S *	12/1997	Shiau	.....	D26/43
D390,985 S *	2/1998	Shiau	.....	D26/43

D403,453 S *	12/1998	Shiau	.....	D26/43
D404,157 S *	1/1999	Carbone	.....	D26/43
D524,969 S *	7/2006	Shiu	.....	D26/43
D565,218 S *	3/2008	Chien	.....	D26/43
D621,537 S *	8/2010	Borovicka	.....	D26/43
D659,898 S *	5/2012	Aaskov	.....	D26/128
D687,175 S *	7/2013	Levine	.....	D26/43

**OTHER PUBLICATIONS**

Images of RAYOVAC Indestructible 2 AA Flashlight, DIY2AA-B, publicly available prior to Aug. 22, 2014.

\* cited by examiner

*Primary Examiner* — Sandra Morris

(74) *Attorney, Agent, or Firm* — Greenberg Traurig, LLP

(57) **CLAIM**

The ornamental design for a flexible light, as shown and described.

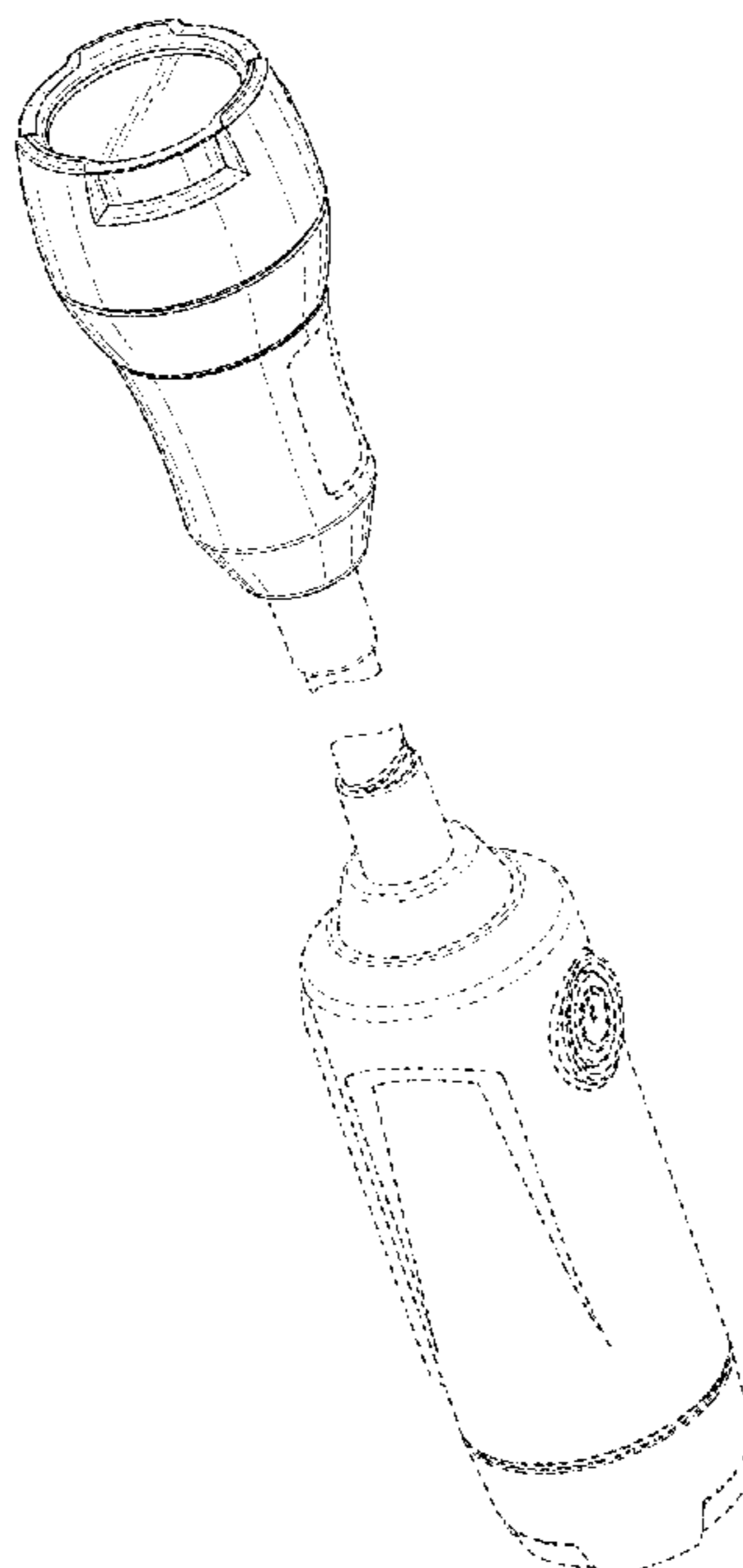
**DESCRIPTION**

FIG. 1 is a perspective view of my design;  
FIG. 2 is a front view thereof;  
FIG. 3 is a back view thereof;  
FIG. 4 is a left side view thereof, the right side being a mirror image thereof; and,  
FIG. 5 is a top view thereof.

The oblique lines on the lens of my flexible light indicate that the lens is at least translucent and may be transparent.

The dashed lines in the figures form no part of the claimed design. All other surface(s) or portion(s) of my flexible light not shown in the figures or otherwise described in the specification, such as the bottom thereof and such as the location behind the lens as well as the thickness of the lens, form no part of the claimed design.

**1 Claim, 3 Drawing Sheets**



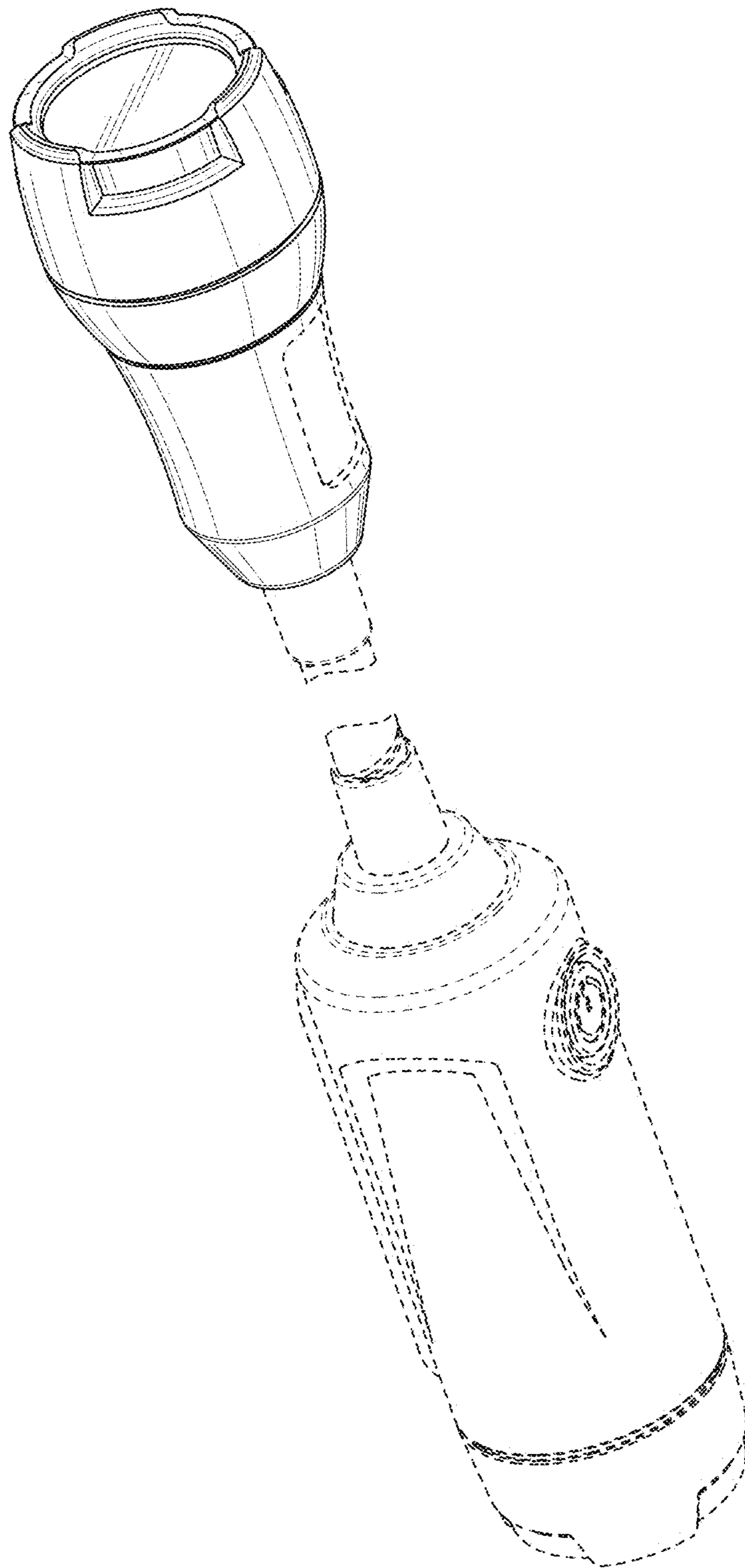


FIG. 1

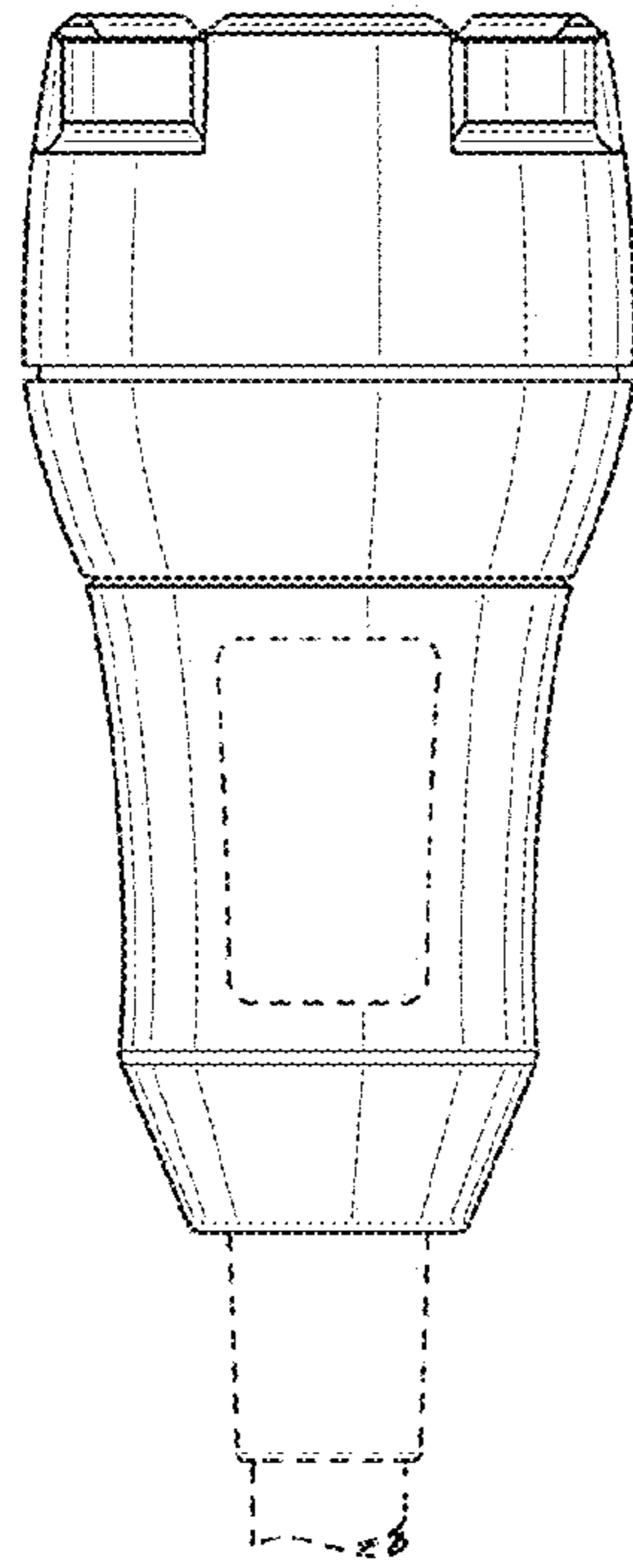


FIG. 2

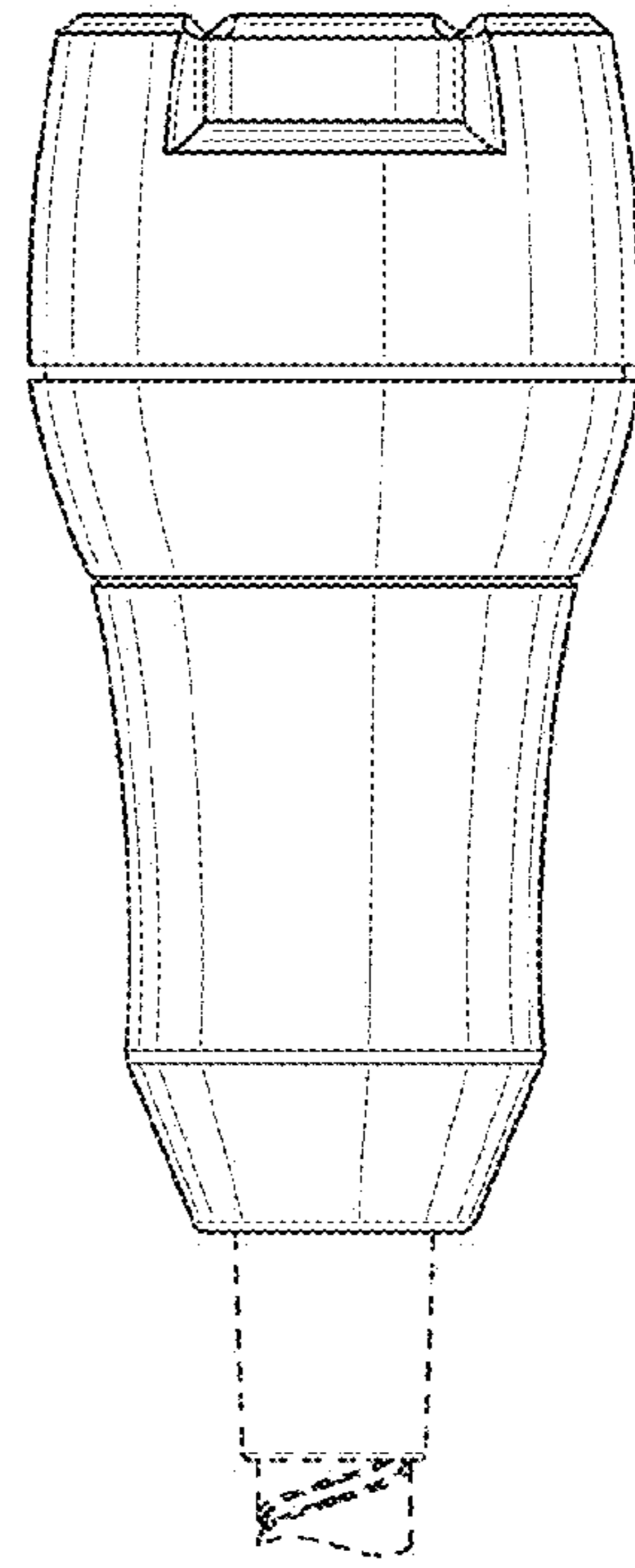
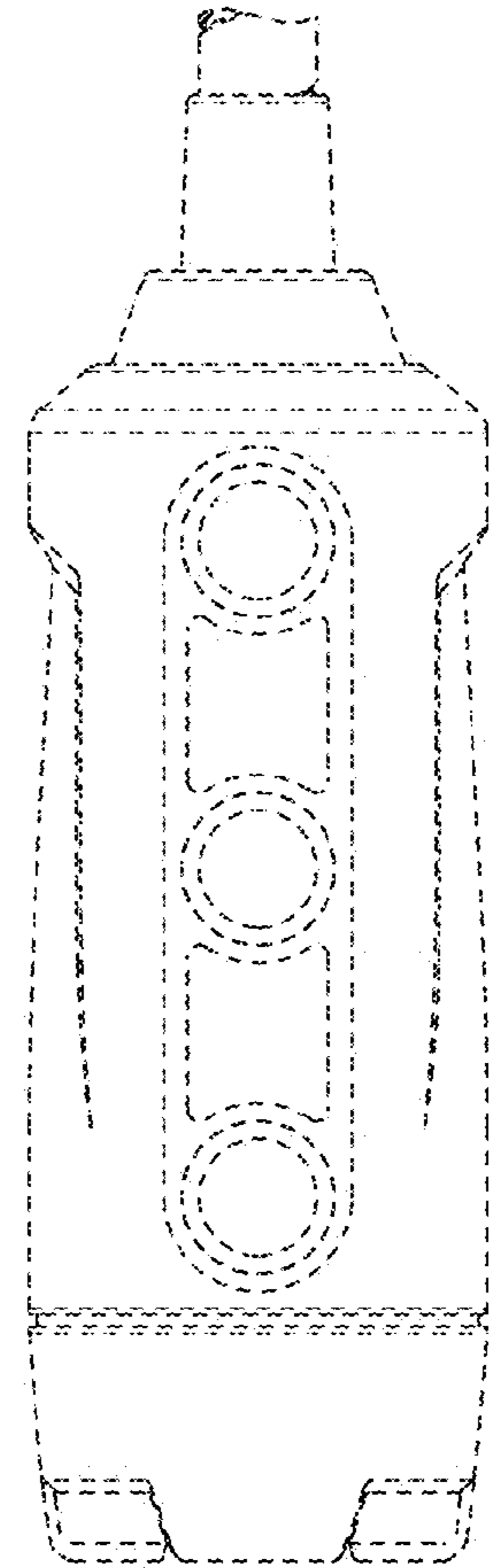
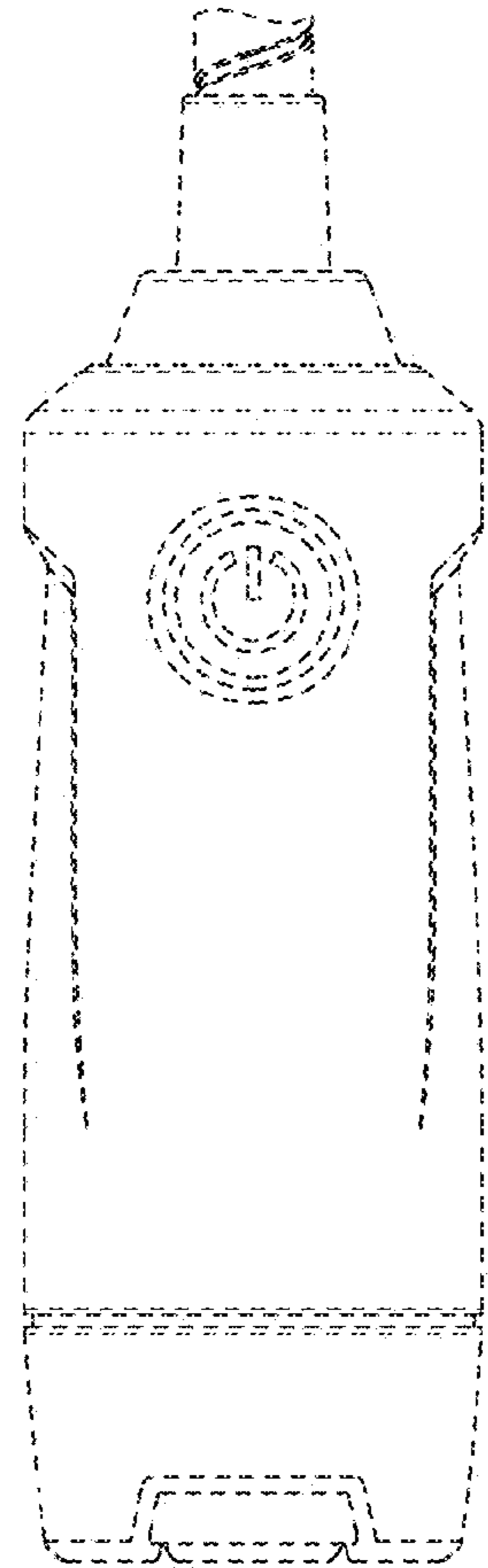


FIG. 3



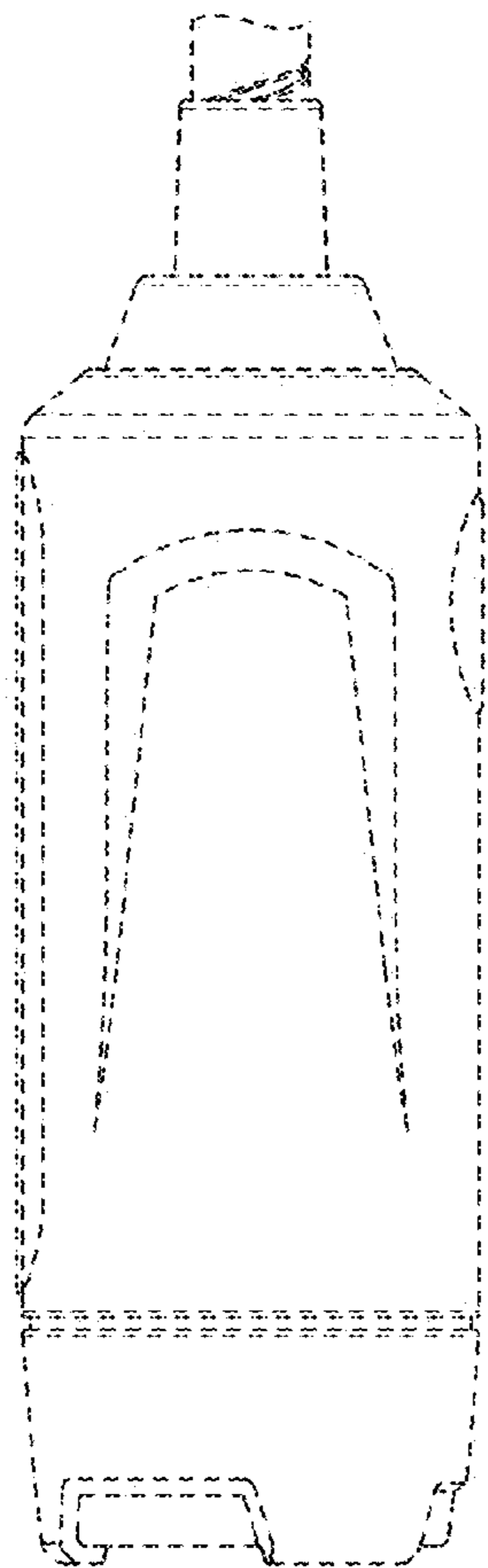
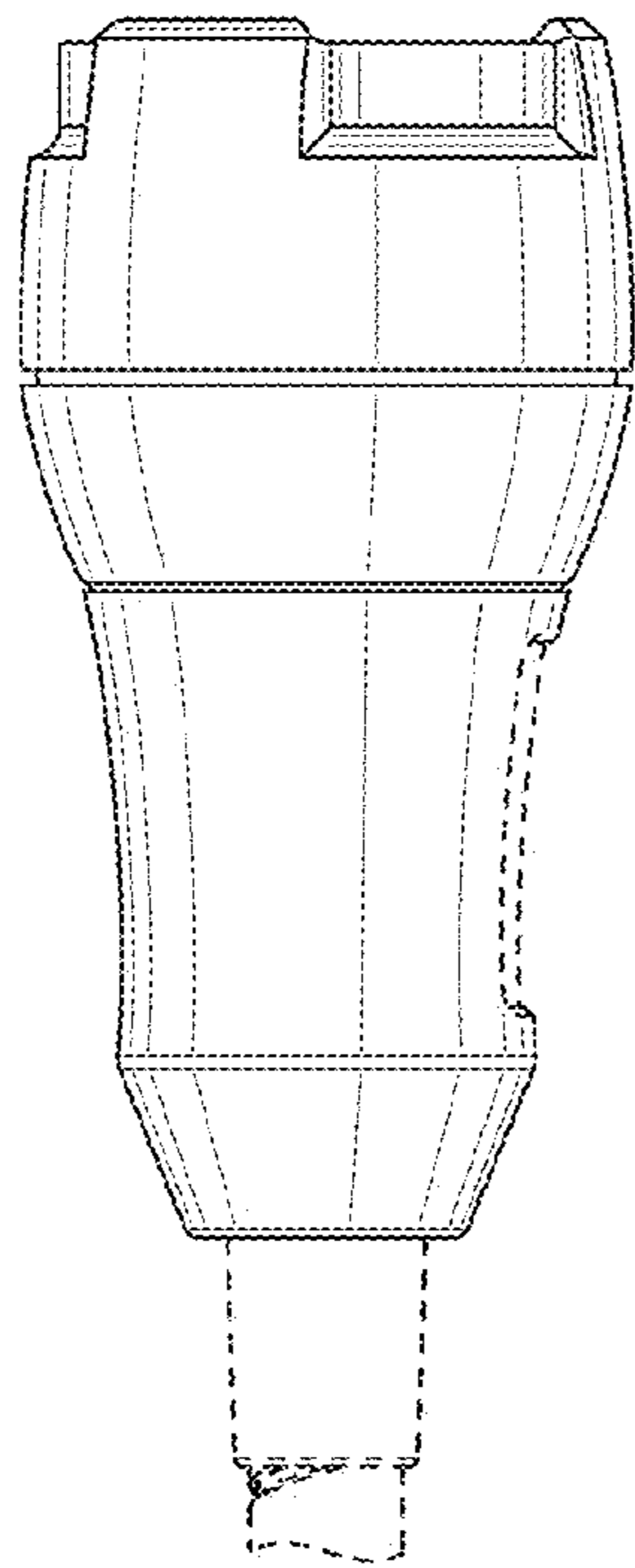


FIG. 4

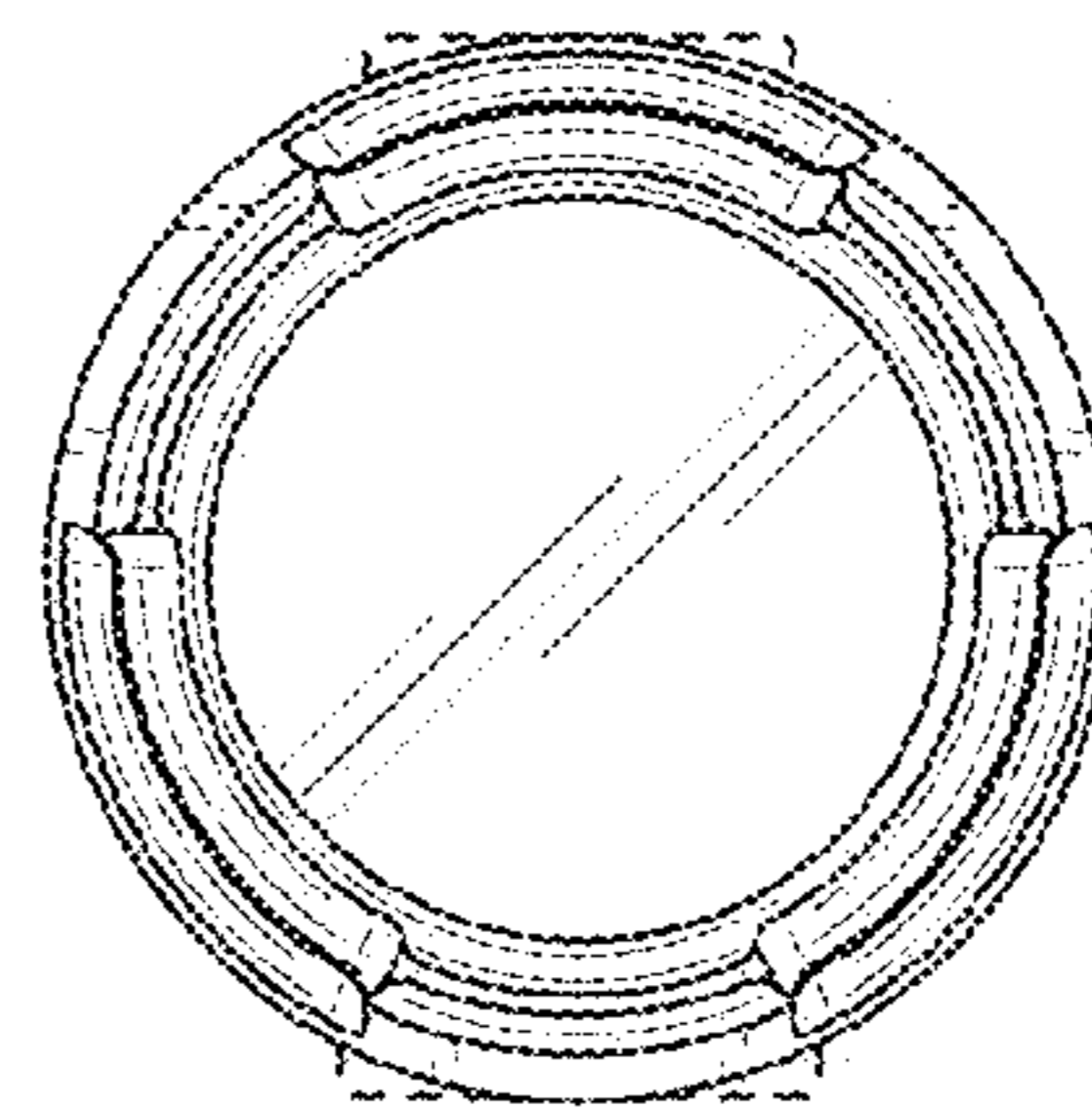


FIG. 5